



US00D934125S

(12) **United States Design Patent**
Avery et al.

(10) **Patent No.:** **US D934,125 S**

(45) **Date of Patent:** **** Oct. 26, 2021**

- (54) **BIKE**
- (71) Applicant: **JJC Imports, LLC**, West Hollywood, CA (US)
- (72) Inventors: **Jason Avery**, Los Angeles, CA (US); **Stephen Chen**, Los Angeles, CA (US); **Tyler Do**, Burbank, CA (US); **Amelia Helmick**, West Hollywood, CA (US); **Jeffrey Kelsoe**, West Hollywood, CA (US); **Sean Lim**, Los Angeles, CA (US); **Paul Van Wieren**, Los Angeles, CA (US); **Andrew Wilson**, Calabasas, CA (US); **Andrew Reuter**, La Crosse, WI (US); **Diego Meneses**, Shenzhen (CN); **Jonathan Viner**, West Hollywood, CA (US); **Joshua Viner**, West Hollywood, CA (US); **Matthew Alfin**, West Hollywood, CA (US); **Zachary Rapoport**, Northridge, CA (US); **Samuel Ach**, Portland, OR (US)
- (73) Assignee: **JJC IMPORTS, LLC**, West Hollywood, CA (US)

- D670,208 S * 11/2012 Frenzel D12/111
- D685,683 S * 7/2013 Shaw D12/111
- D701,472 S * 3/2014 Šoštarič D12/111

(Continued)

OTHER PUBLICATIONS

“Strider 14x Sport” Strider., posted date May 31, 2019 [online], [retrieved on Mar. 31, 2021]. Retrieved from the Internet <URL: <https://striderbikes.com/buy/shop-all/balance-bikes/strider-14x-sport/>> (Year: 2019).*

(Continued)

Primary Examiner — Darlington Ly
Assistant Examiner — Nasim Abdulaziz Ali
(74) *Attorney, Agent, or Firm* — Schwegman Lundberg & Woessner, P.A.

(**) Term: **15 Years**

(21) Appl. No.: **29/716,181**

(22) Filed: **Dec. 6, 2019**

(51) **LOC (13) Cl.** **12-11**

(52) **U.S. Cl.**
USPC **D12/111**

(58) **Field of Classification Search**
USPC D12/111, 117–120; D21/419, 432
CPC ... B62K 3/02; B62K 3/06; B62K 3/08; B62K 9/00; B62K 15/00; B62K 15/006; B62K 15/008; B62K 17/00
See application file for complete search history.

(57) **CLAIM**

The ornamental design for a bike, as shown and described.

DESCRIPTION

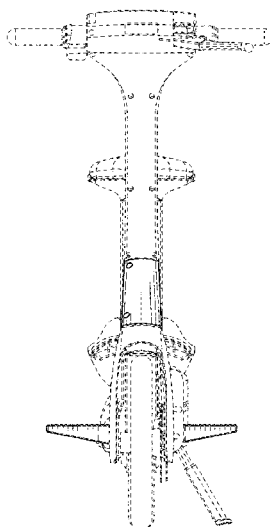
FIG. 1 is a front elevation view of a bike embodying our new design;
FIG. 2 is a rear elevation view thereof;
FIG. 3 is a left side elevation view thereof;
FIG. 4 is a right side elevation view thereof;
FIG. 5 is a top plan view thereof;
FIG. 6 is a bottom plan view thereof;
FIG. 7 is a top-front-left perspective view thereof;
FIG. 8 is a bottom-front-right perspective view thereof;
FIG. 9 is a bottom-rear-right perspective view thereof; and
FIG. 10 is a top-rear-left perspective view thereof
The broken lines in the drawings illustrate portions of the bike, that form no part of the claimed design.

1 Claim, 9 Drawing Sheets

(56) **References Cited**

U.S. PATENT DOCUMENTS

- 4,174,852 A * 11/1979 Panzica B62J 25/00 280/288.4
- D652,354 S * 1/2012 Šoštarič D12/111



(56)

References Cited

U.S. PATENT DOCUMENTS

8,794,654 B1 * 8/2014 Chen B62K 9/00
280/287
D721,990 S * 2/2015 Lugo B62K 9/00
D12/111
D739,308 S * 9/2015 Barnaby Latham D12/111
D755,899 S * 5/2016 Castrucci D21/423
D774,966 S * 12/2016 Finbow D12/111
D791,648 S * 7/2017 Choi D12/111
9,708,025 B2 * 7/2017 Lee B62K 15/008
D795,747 S * 8/2017 Bailie D12/111
D803,948 S * 11/2017 Chis D21/423
D807,232 S * 1/2018 Bailie D12/111
D823,172 S * 7/2018 McFarland D12/114
D842,764 S * 3/2019 Acacia D12/111
D864,039 S * 10/2019 Mathieu D12/111
D894,064 S * 8/2020 Sturgeon D12/174
D897,242 S * 9/2020 Yap D12/111

D903,532 S * 12/2020 Ma D12/111
2006/0232040 A1 * 10/2006 Franco B62K 15/00
280/278
2013/0087988 A1 * 4/2013 Wang B62K 3/06
280/287

OTHER PUBLICATIONS

“Qiani Balance Bike” Qiani., posted date Sep. 10, 2020 [online], [retrieved on Mar. 31, 2021]. Retrieved from the Internet <URL: https://www.amazon.com/Qiani-Balance-Toddlers-Pedals-Training/dp/B08HK29PGW/ref=sr_1_16?dchild=1&keywords=balance+bike&qid=1617217985&sr=8-16> (Year: 2020).*

“SYX MOTO Spark 24V 100W Kids Mini Electric Balance Bike” SYX MOTO., posted date Feb. 7, 2021 [online], [retrieved on Mar. 31, 2021]. Retrieved from the Internet <URL: <https://tinyurl.com/td954wfs>> (Year: 2021).*

“Mini Glider Kids Balance Bike” Glide Bikes Store., posted date Jan. 28, 2016 [online], [retrieved on Mar. 31, 2021]. Retrieved from the Internet <URL: <https://tinyurl.com/4pas3kye>> (Year: 2016).*

* cited by examiner

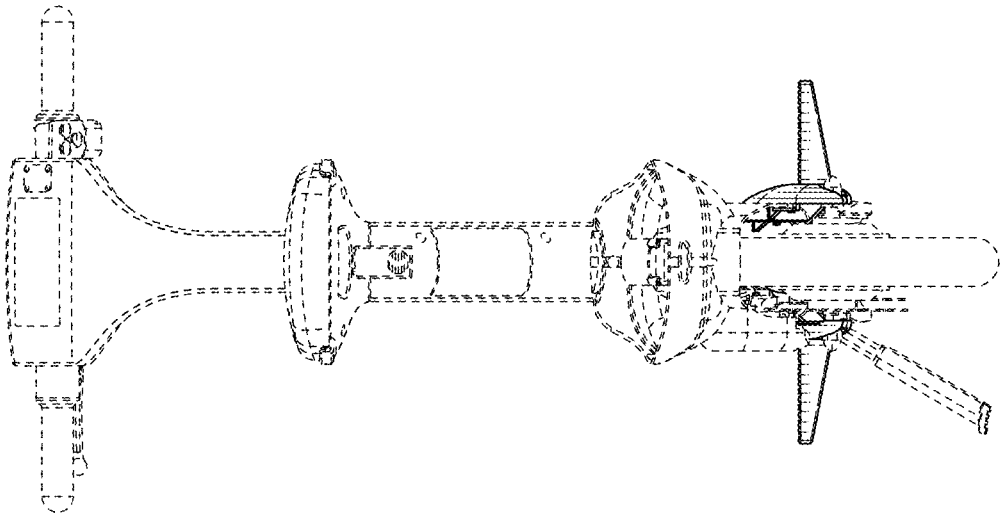


FIG. 2

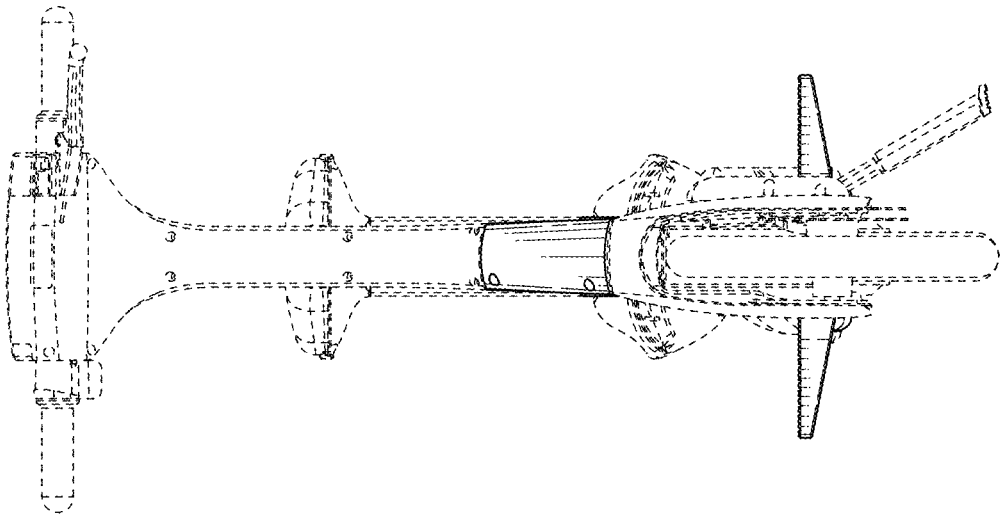


FIG. 1

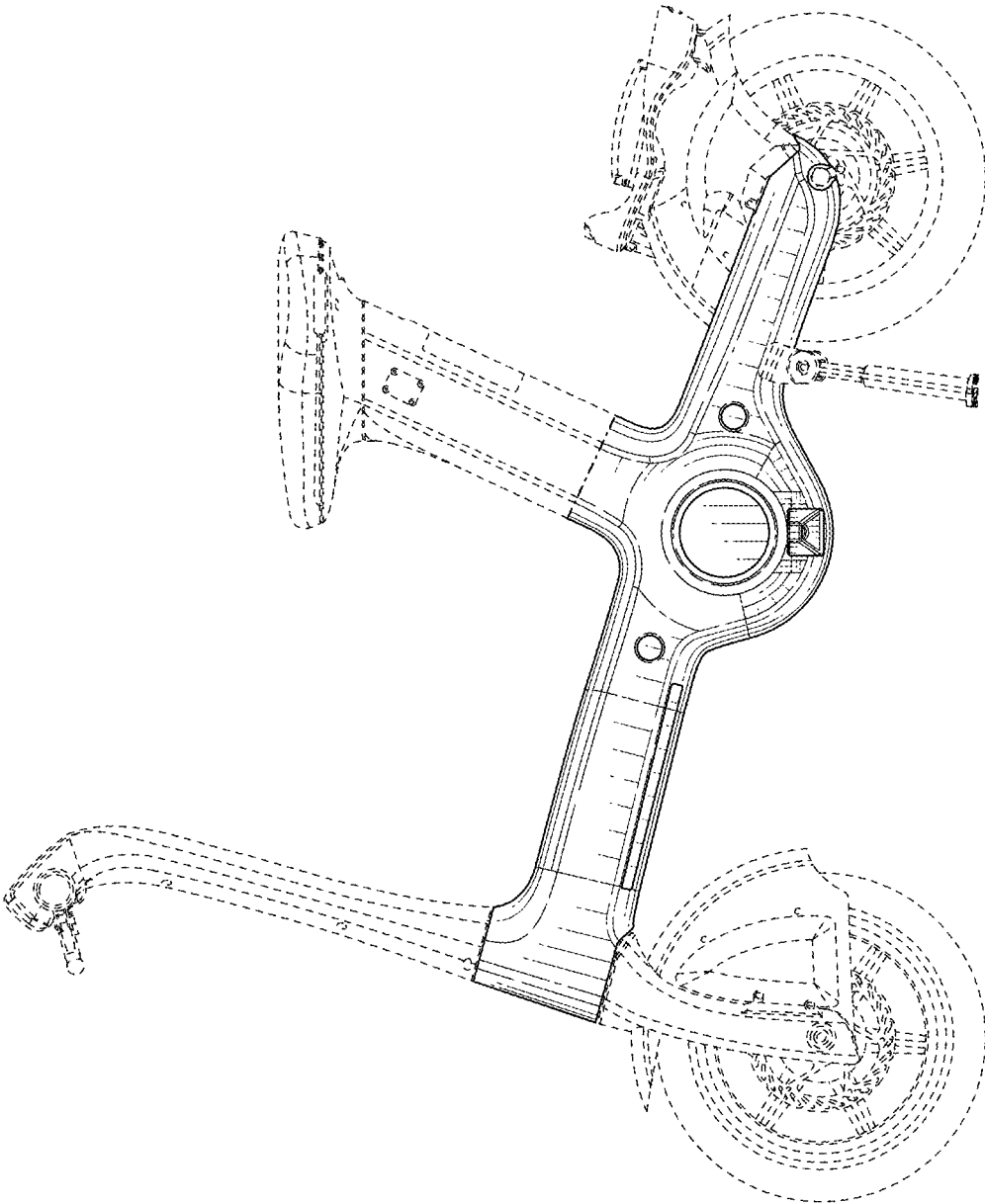


FIG. 3

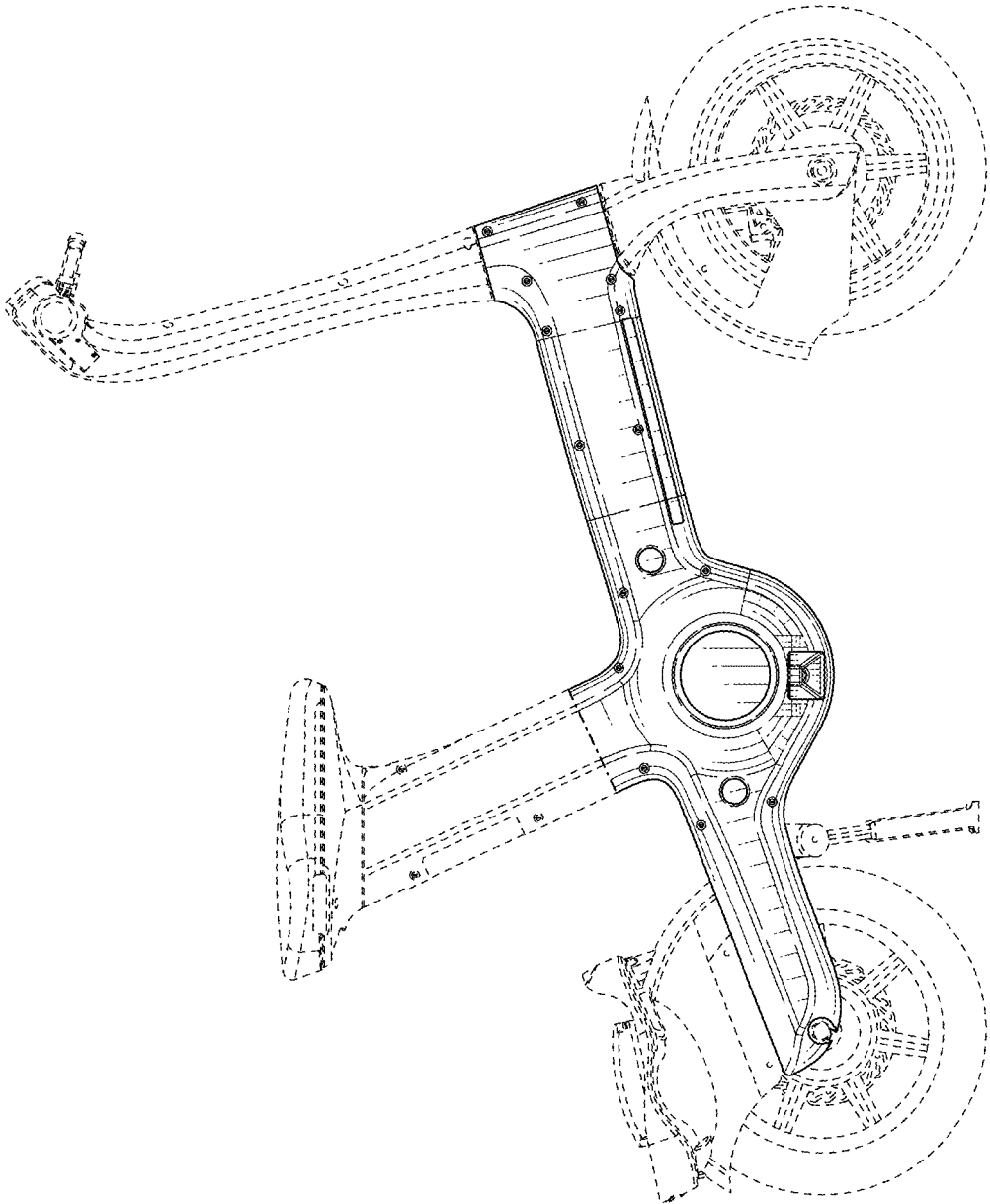


FIG. 4

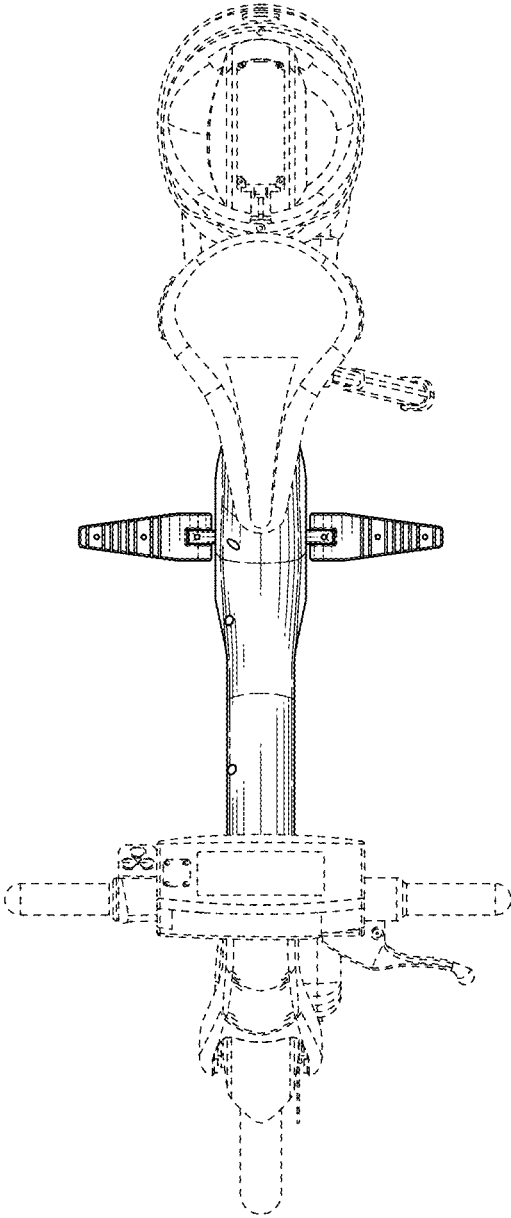


FIG. 5

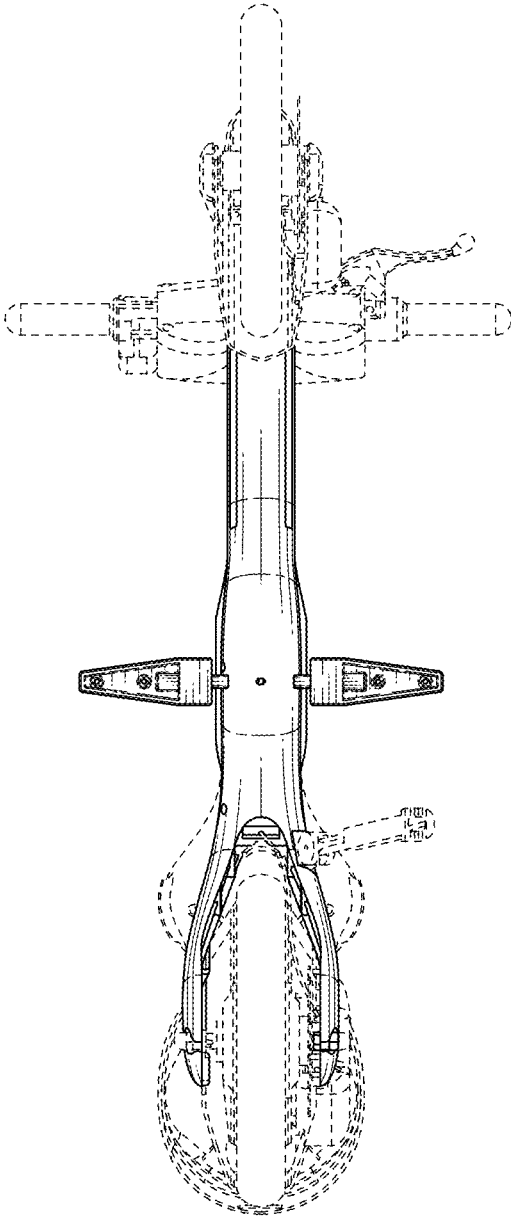


FIG. 6

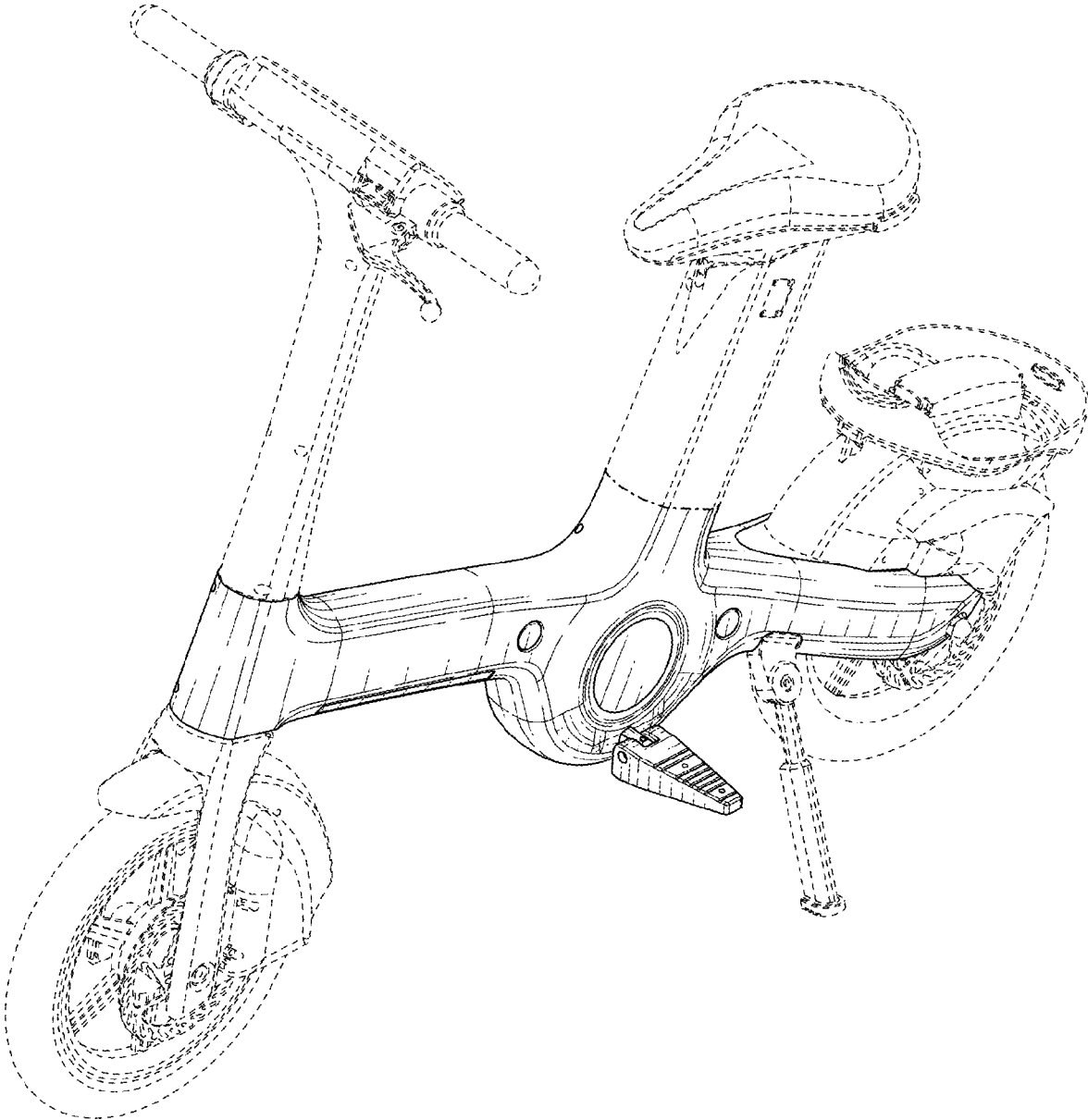


FIG. 7

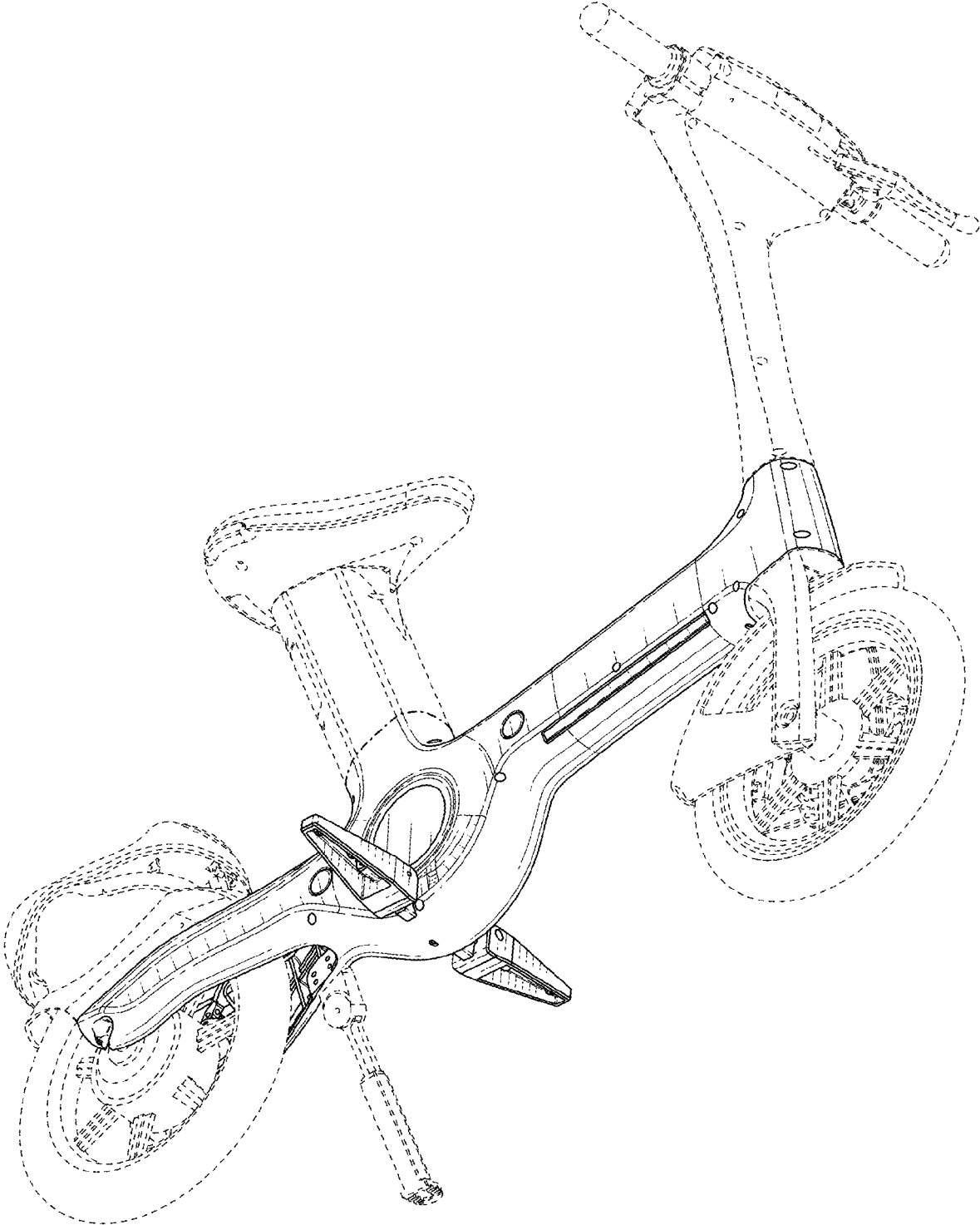


FIG. 8

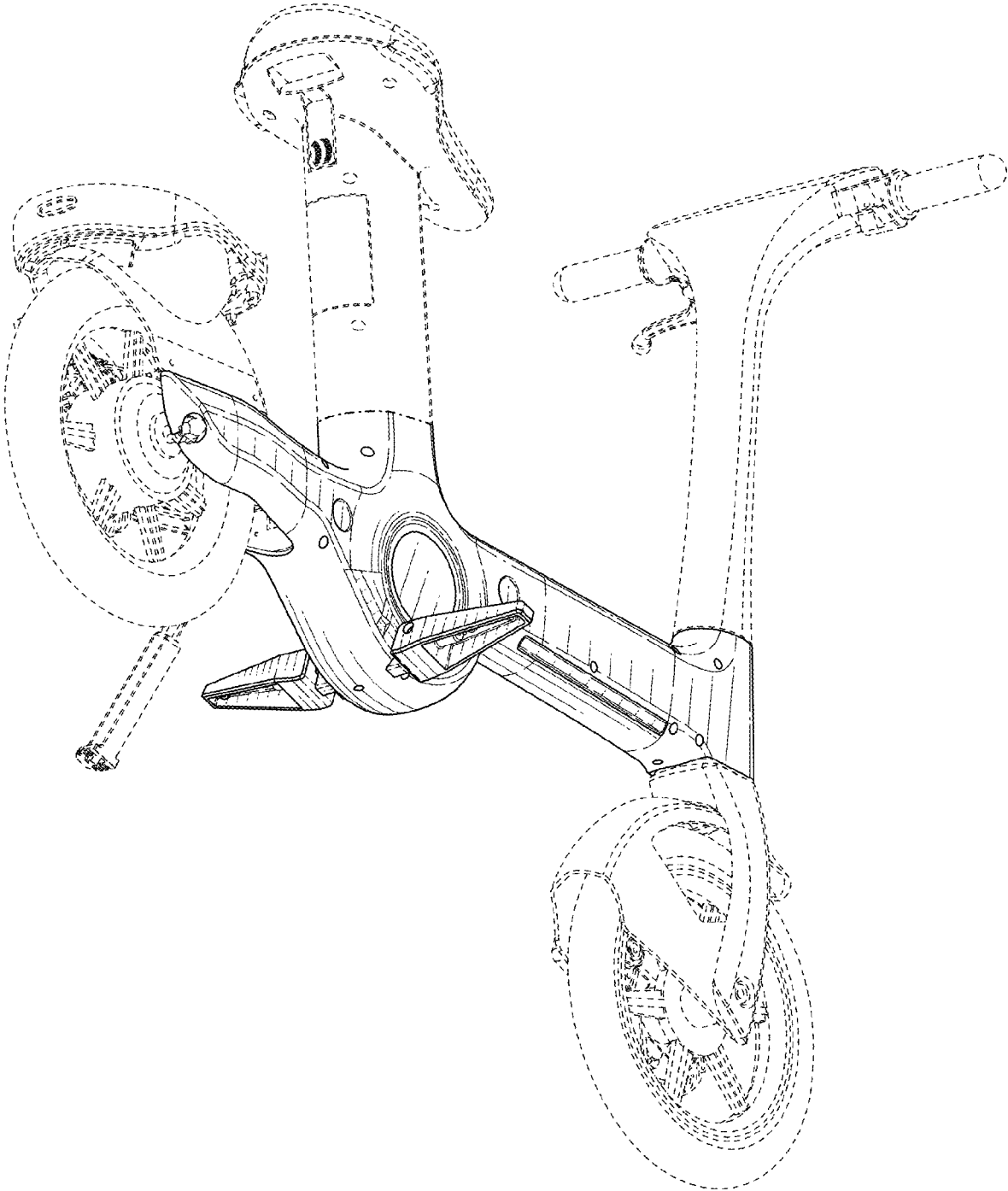


FIG. 9

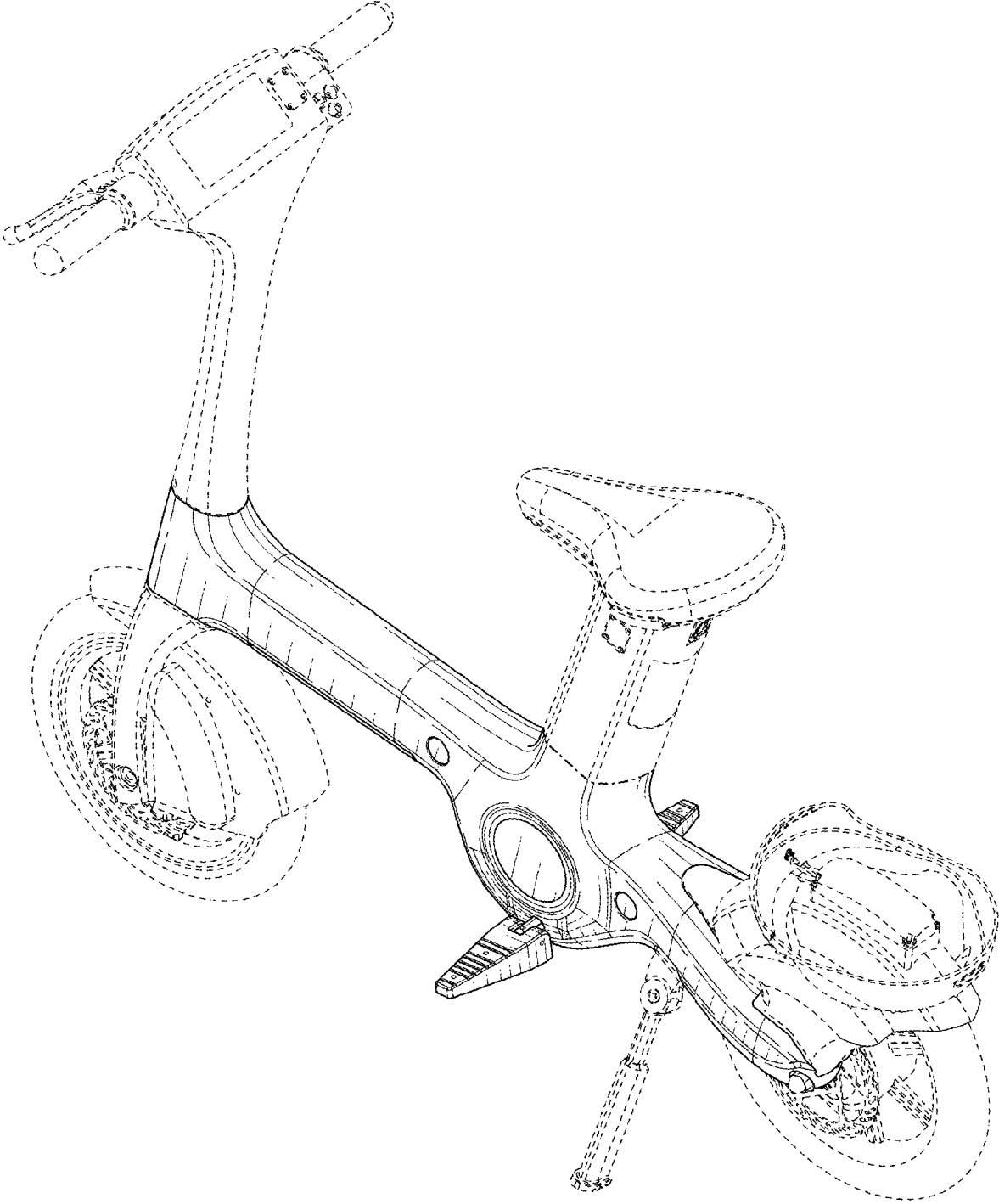


FIG. 10