



US00D868508S

(12) **United States Design Patent**  
**Sprong et al.**

(10) **Patent No.:** **US D868,508 S**

(45) **Date of Patent:** **\*\* Dec. 3, 2019**

- (54) **TOOL CABINET**
- (71) Applicant: **Harbor Freight Tools USA, Inc.**,  
Calabasas, CA (US)
- (72) Inventors: **Jason White Sprong**, Moorpark, CA (US); **William Thomas Sharp**,  
Camarillo, CA (US); **David James Knecht**,  
Westlake Village, CA (US); **Gwolih Chung**,  
Foothill Ranch, CA (US); **Eric Smidt**,  
Calabasas, CA (US)
- (73) Assignee: **Harbor Freight Tools USA, Inc.**,  
Calabasas, CA (US)

8,157,337	B2 *	4/2012	Manalang	.....	B25H 3/06
					312/249.8
D672,575	S *	12/2012	Christopher	.....	D6/671.1
D775,866	S *	1/2017	Ben Avi	.....	D6/657
D832,626	S *	11/2018	Chiao	.....	D6/671.1
D848,766	S *	5/2019	Chen	.....	D6/657
10,316,584	B1 *	6/2019	Cooper	.....	E06C 1/005
2016/0128471	A1 *	5/2016	Chang	.....	B25H 3/028
					312/249.11

**FOREIGN PATENT DOCUMENTS**

FR	1363391	A *	6/1964	.....	A47B 43/00
GB	345813	A *	4/1931	.....	G11B 33/06
GB	431840	A *	7/1935	.....	A47B 77/10

\* cited by examiner

*Primary Examiner* — R. Johnson

(74) *Attorney, Agent, or Firm* — McAndrews Held & Malloy, Ltd.

(\*\*) Term: **15 Years**

(21) Appl. No.: **29/668,251**

(22) Filed: **Oct. 29, 2018**

(51) **LOC (12) Cl.** ..... **06-04**

(52) **U.S. Cl.**  
USPC ..... **D6/671**

(58) **Field of Classification Search**  
USPC ..... D6/657, 662, 663, 669, 671, 671.1, 672,  
D6/675, 675.1  
CPC ..... A47B 46/00; A47B 47/00; A47B 47/022;  
A47B 47/02; A47B 47/04; A47B 55/00;  
A47B 67/00; A47B 67/02; A47B 67/04  
See application file for complete search history.

(57) **CLAIM**

The ornamental design for a tool cabinet, as shown and described.

**DESCRIPTION**

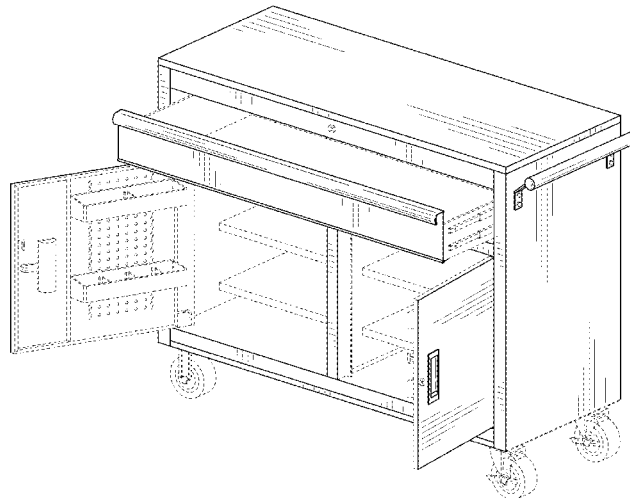
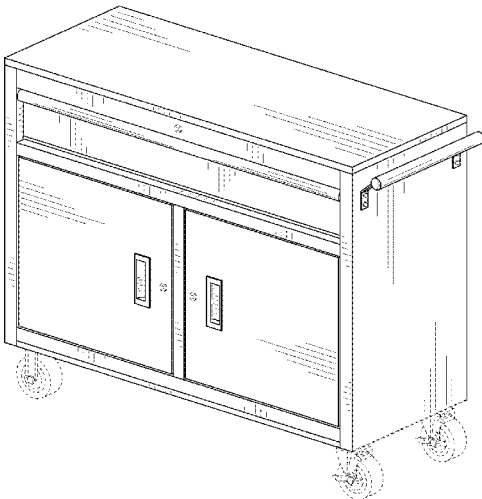
FIG. 1 is a top-front perspective view of a tool cabinet showing our new design;  
FIG. 2 is a front elevation view thereof;  
FIG. 3 is a rear elevation thereof;  
FIG. 4 is a right side elevation view thereof;  
FIG. 5 is a left side elevation view thereof;  
FIG. 6 is a top plan view thereof;  
FIG. 7 is a bottom plan view thereof; and,  
FIG. 8 is another top-front perspective view thereof showing the tool cabinet in an opened configuration.  
The dashed broken lines in the figures illustrate portions of the tool cabinet that form no part of the claimed design.

(56) **References Cited**

**U.S. PATENT DOCUMENTS**

5,611,553	A *	3/1997	Schoeman	.....	A47B 46/00
					280/47.35
5,803,561	A *	9/1998	Puehlhorn	.....	F16B 12/125
					312/263

**1 Claim, 8 Drawing Sheets**



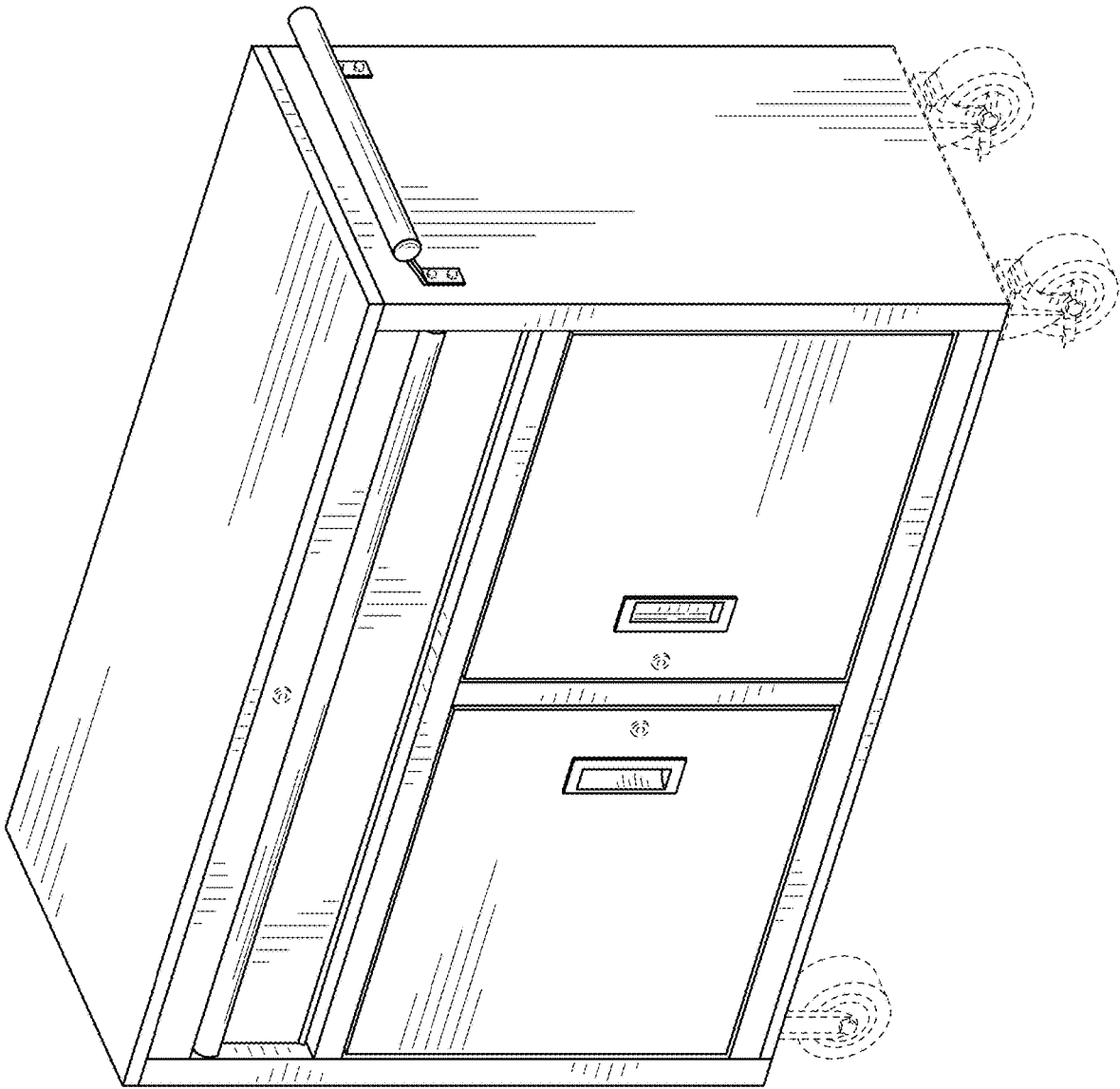


FIG. 1

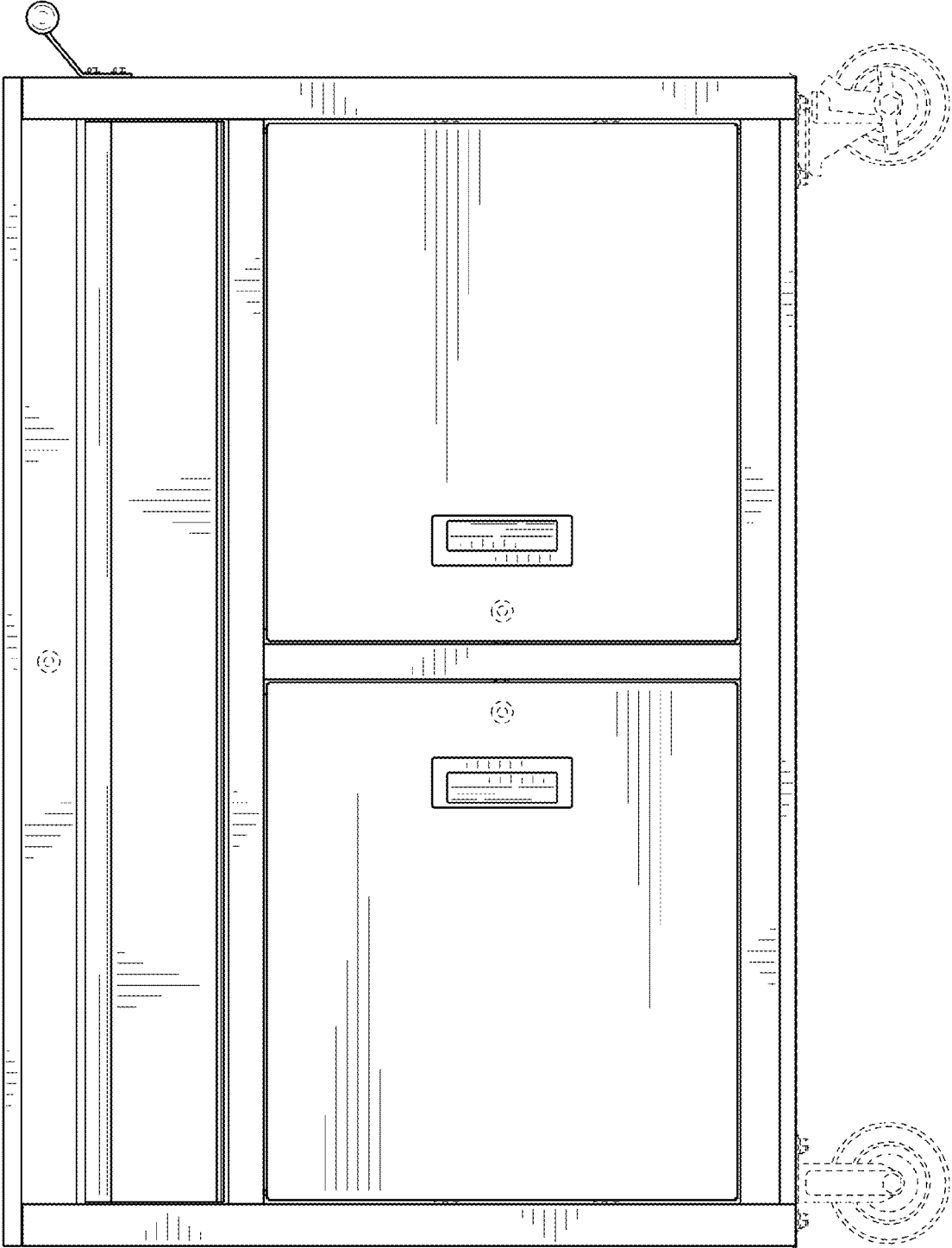


FIG. 2

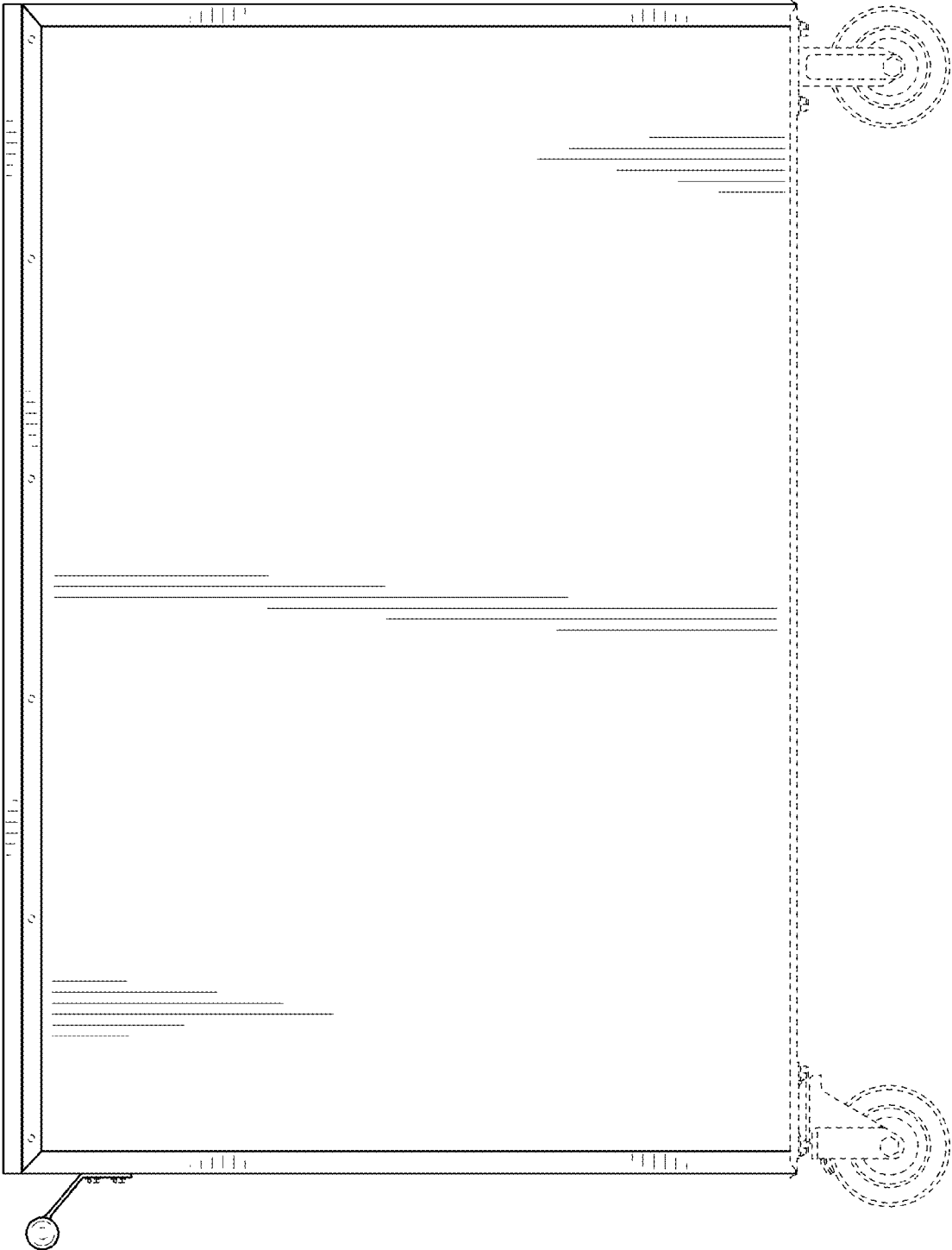


FIG. 3

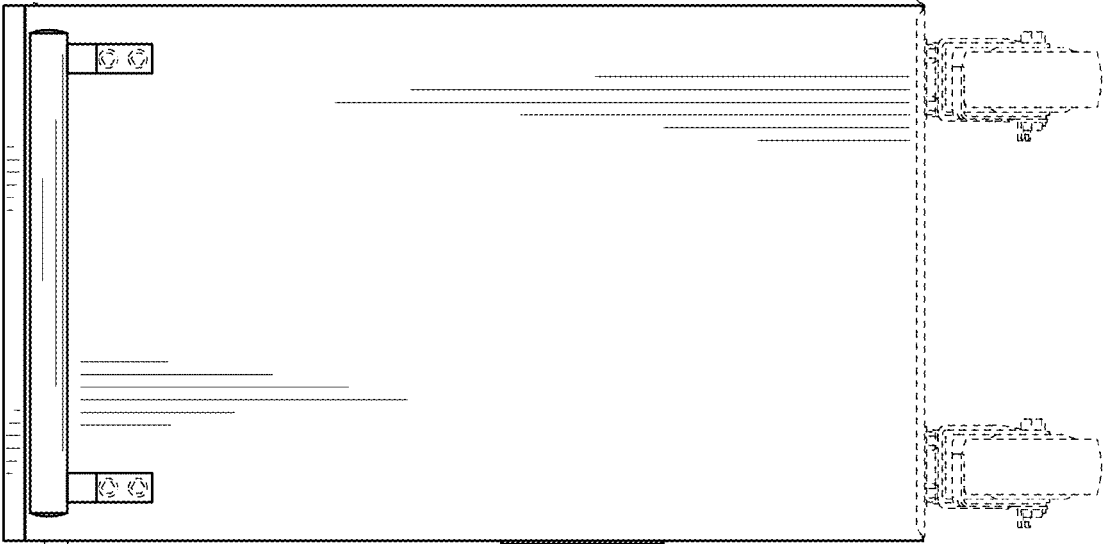


FIG. 4

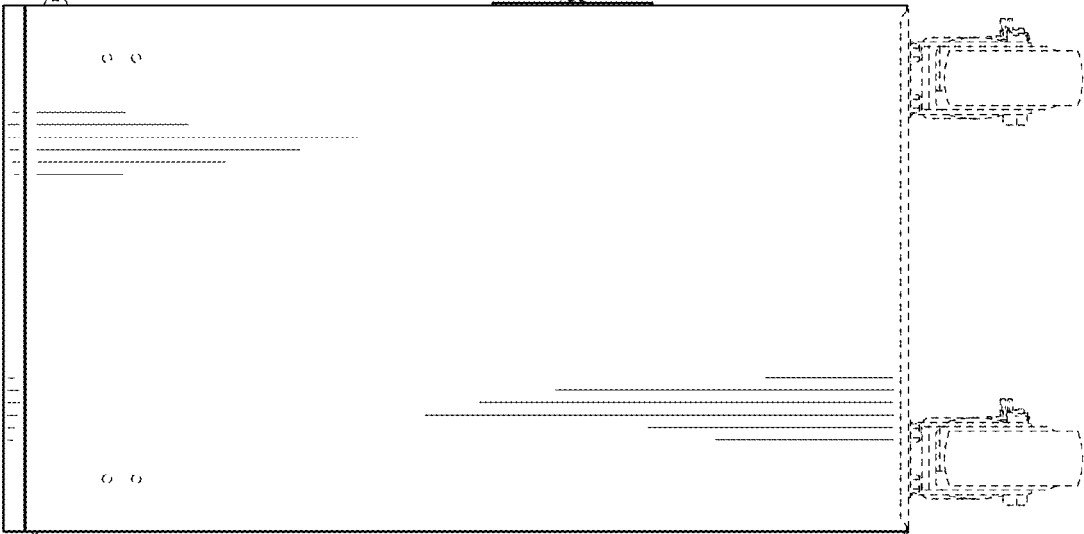


FIG. 5

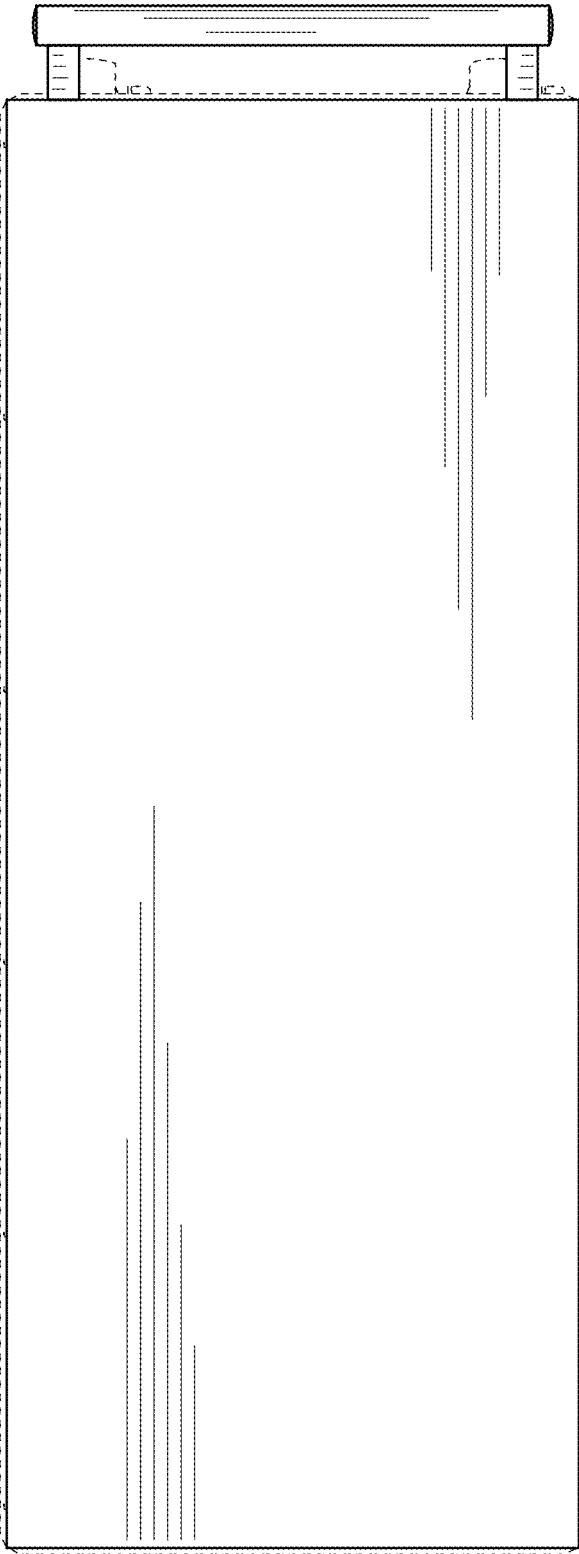


FIG. 6

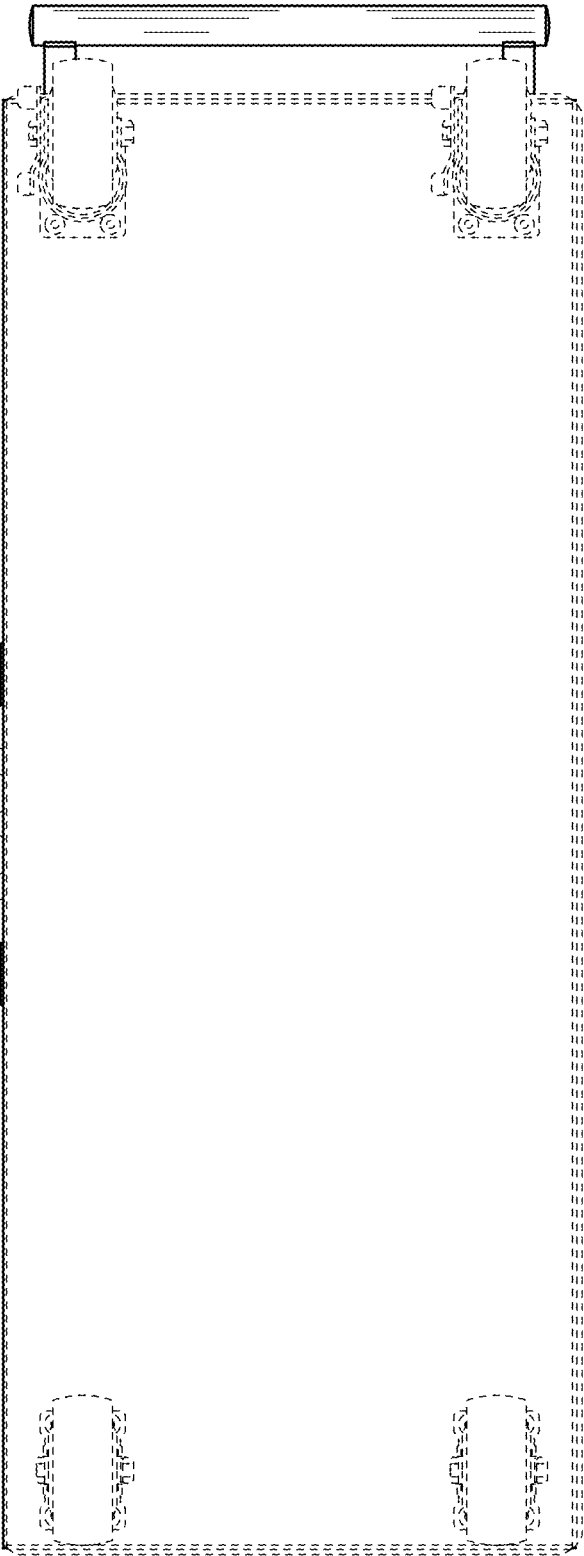


FIG. 7



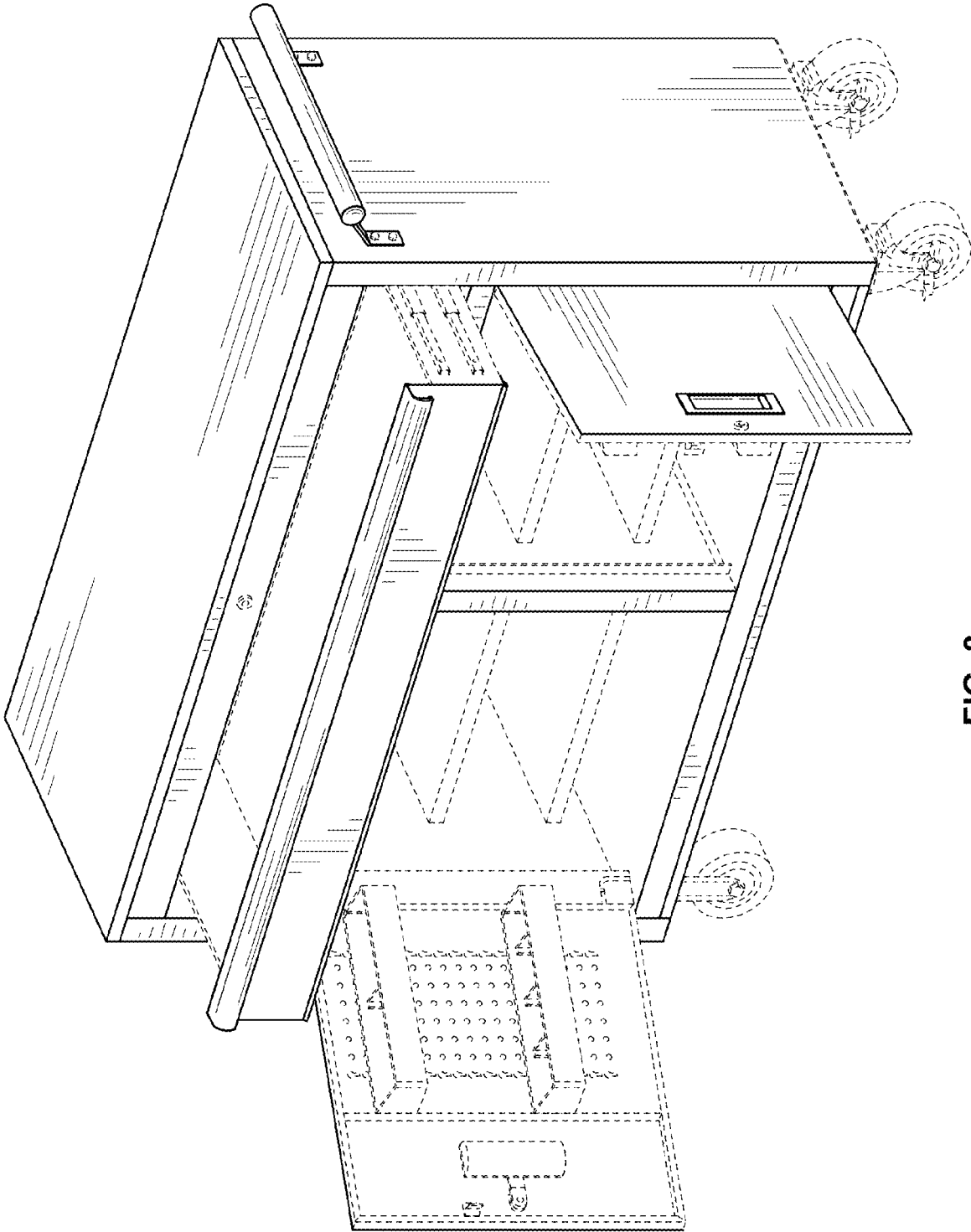


FIG. 8