



US00D861324S

(12) **United States Design Patent** (10) **Patent No.:** **US D861,324 S**  
 **Egge** (45) **Date of Patent:** **\*\* Oct. 1, 2019**

- (54) **PILL ORGANIZER**
- (71) Applicant: **Lauren Elizabeth Egge**, Mclean, VA (US)
- (72) Inventor: **Lauren Elizabeth Egge**, Mclean, VA (US)
- (\*\*) Term: **15 Years**
- (21) Appl. No.: **29/581,094**

*Primary Examiner* — Mark A Goodwin  
*Assistant Examiner* — Benjamin M Weeks  
 (74) *Attorney, Agent, or Firm* — Law Office of Jerry Joseph, PLC; Jerry K. Joseph

(57) **CLAIM**

The ornamental design for a pill organizer, as shown and described.

**DESCRIPTION**

- (22) Filed: **Oct. 16, 2016**
- (51) **LOC (12) Cl.** ..... **03-01**
- (52) **U.S. Cl.**  
USPC ..... **D3/203.2**
- (58) **Field of Classification Search**  
USPC ..... D3/202, 203, 213, 214, 215, 201, 226, D3/228, 224, 327, 229, 273, 290, 294, D3/243, 245, 246, 266, 904, 304, 307, D3/308, 309, 315; D7/509, 510, 511  
CPC ..... A45D 42/00; A45D 42/18; A61B 1/24; D04B 3/02; G05G 9/04788; A44B 11/25  
See application file for complete search history.

FIG. 1 is a front perspective view of a pill organizer with a cover in a closed state illustrating my new design;  
 FIG. 2 is a top plan view of the pill organizer with the cover in a closed state;  
 FIG. 3 is a back plan view of the pill organizer with the cover in a closed state;  
 FIG. 4 is a front plan view of the pill organizer with the cover in a closed state;  
 FIG. 5 is a right side view of the pill organizer with the cover in a closed state;  
 The left side view of the pill organizer with the cover in a closed state is a mirror image of the right side with the cover in a closed state and therefore has been omitted.  
 FIG. 6 is a front perspective view of the pill organizer with the cover in an open state;  
 FIG. 7 is a top plan view of the pill organizer with the cover in an open state;  
 FIG. 8 is a back plan view of the pill organizer with the cover in an open state;  
 FIG. 9 is a front plan view of the pill organizer with the cover in an open state; and,  
 FIG. 10 is a right side view of the pill organizer with the cover in an open state.  
 The left side view of the pill organizer with the cover in an open state is a mirror image of the right side with the cover in an open state and therefore has been omitted.

(56) **References Cited**

U.S. PATENT DOCUMENTS

|               |         |          |       |                      |
|---------------|---------|----------|-------|----------------------|
| D49,217 S *   | 6/1916  | King     | ..... | D3/265               |
| D93,084 S *   | 8/1934  | Baum     | ..... | D3/203.1             |
| D259,596 S *  | 6/1981  | Gray     | ..... | D3/205               |
| D277,297 S *  | 1/1985  | Jennings | ..... | D19/75               |
| 5,007,250 A * | 4/1991  | Musielak | ..... | A45C 11/20<br>383/29 |
| D397,547 S *  | 9/1998  | Goodwin  | ..... | D3/201               |
| D440,397 S *  | 4/2001  | Bardet   | ..... | D3/201               |
| D480,865 S *  | 10/2003 | Sayers   | ..... | D3/203.1             |
| D481,532 S *  | 11/2003 | Sayers   | ..... | D3/203.1             |
| D546,674 S *  | 7/2007  | Limber   | ..... | D3/294               |
| D733,316 S *  | 6/2015  | Lui      | ..... | D24/227              |
| D740,025 S *  | 10/2015 | Phan     | ..... | D3/294               |

\* cited by examiner

**1 Claim, 10 Drawing Sheets**

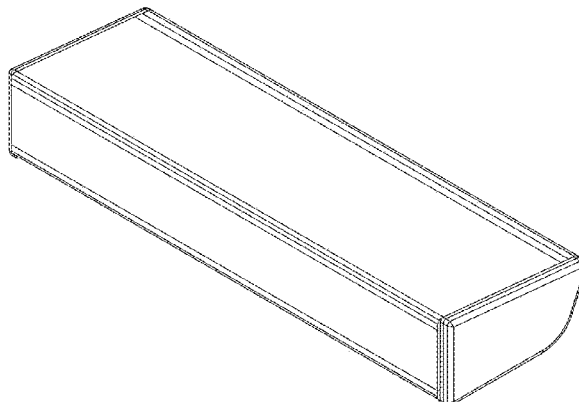


FIG. 1

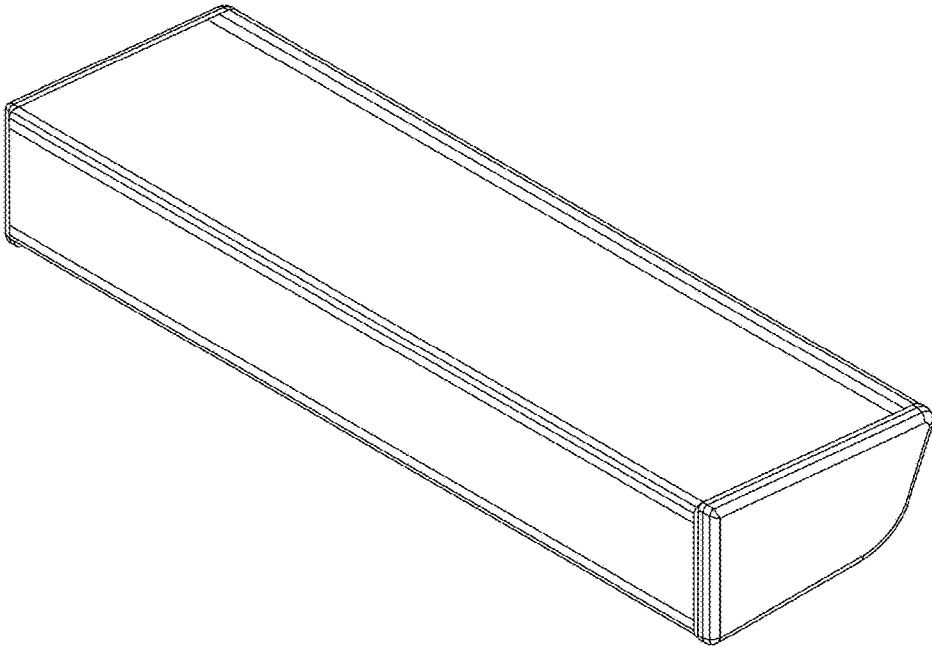


FIG. 2



FIG. 3

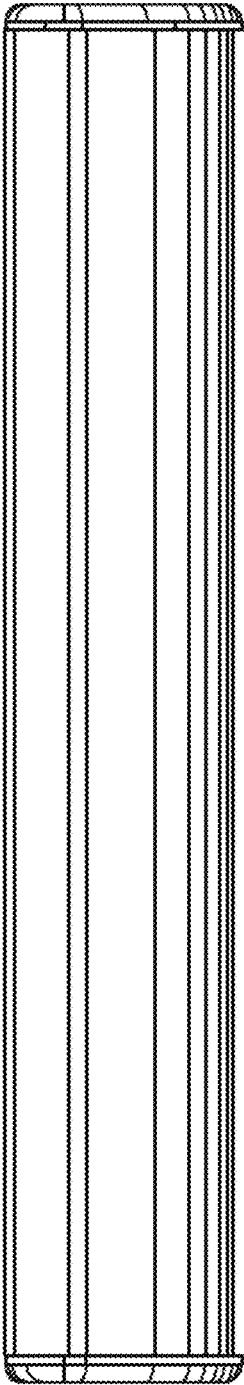


FIG. 4

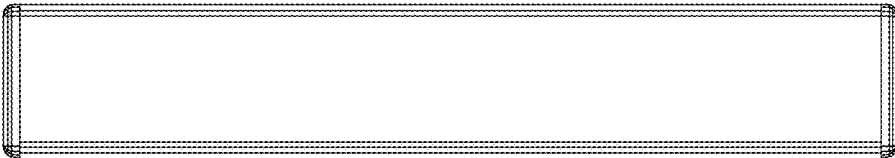


FIG. 5

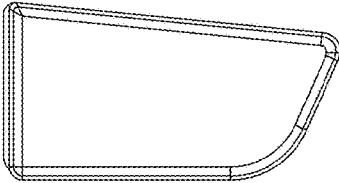


FIG. 6

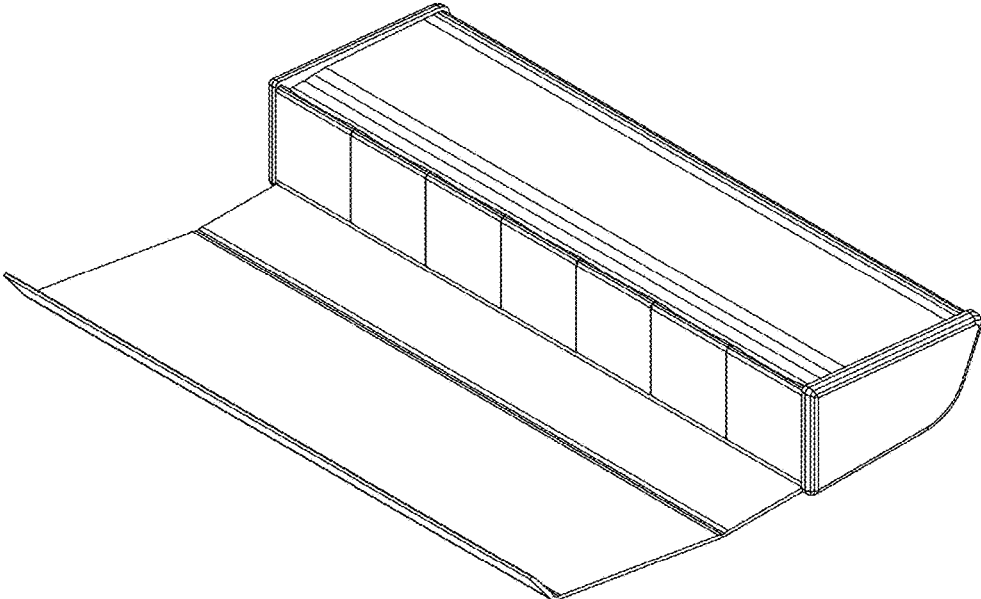


FIG. 7

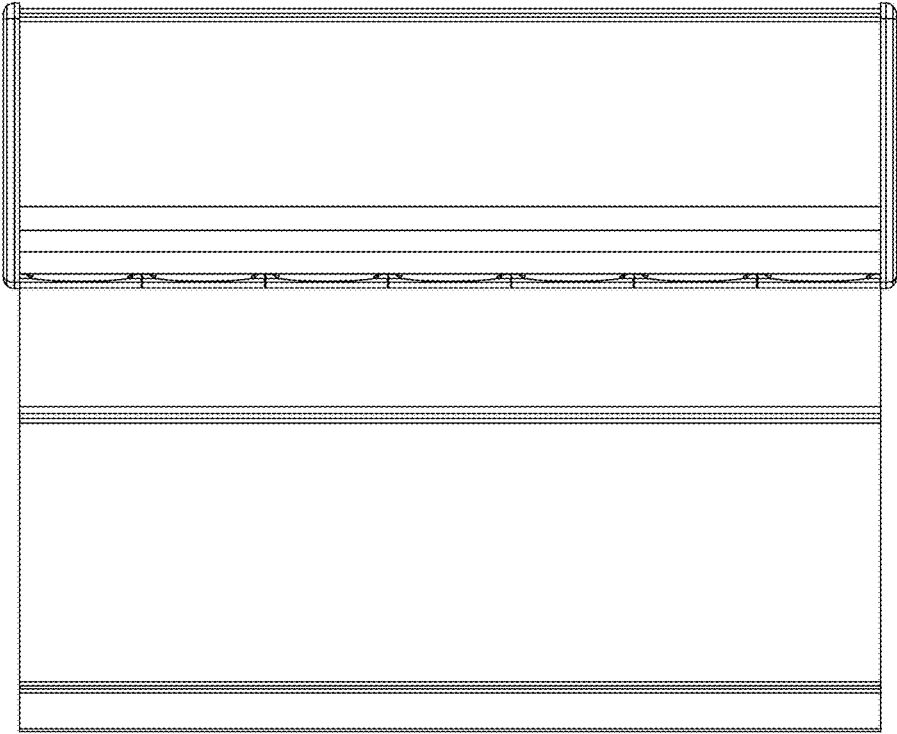




FIG. 8

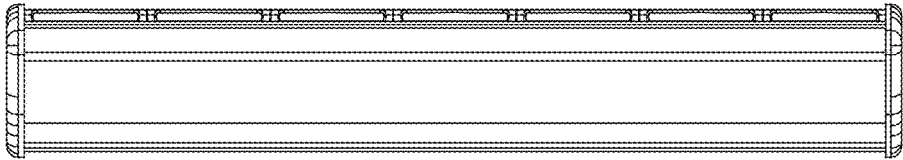


FIG. 9

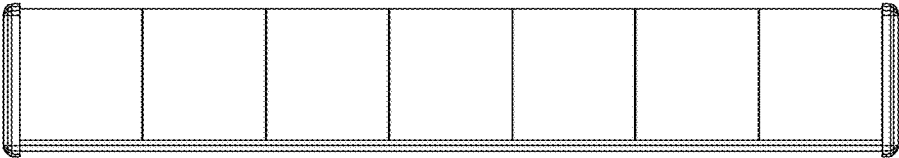


FIG. 10

