



US00D629894S

(12) **United States Design Patent**
Lombardi, III et al.

(10) **Patent No.:** **US D629,894 S**

(45) **Date of Patent:** **** Dec. 28, 2010**

(54) **MALE BODY OF CONNECTOR FOR FLUID TUBING**

727,982 A 5/1903 Ludwig
874,957 A 12/1907 Godley

(Continued)

(75) Inventors: **Francis J. Lombardi, III**, Loveland, CO (US); **Ravikumar Narayanan**, Fort Collins, CO (US)

FOREIGN PATENT DOCUMENTS

WO WO2006/135666 12/2006

(73) Assignee: **Value Plastics, Inc.**, Fort Collins, CO (US)

OTHER PUBLICATIONS

Brochure, "Precision Components", Value Plastics, Inc., 2002.

(**) Term: **14 Years**

Primary Examiner—Charles A Rademaker

Assistant Examiner—Charles D Hanson

(21) Appl. No.: **29/353,317**

(74) *Attorney, Agent, or Firm*—Dorsey & Whitney LLP

(22) Filed: **Jan. 6, 2010**

(57) **CLAIM**

Related U.S. Application Data

The ornamental design for male body of connector for fluid tubing, as shown and described.

(63) Continuation-in-part of application No. 12/167,833, filed on Jul. 3, 2005, and a continuation-in-part of application No. PCT/US2009/049731, filed on Jul. 6, 2009.

DESCRIPTION

(51) **LOC (9) Cl.** **24-02**

This application is related to U.S. patent application Ser. No. 29/353,314 and Ser. No. 29/353,318 filed Jan. 6, 2010 pending.

(52) **U.S. Cl.** **D24/129**

(58) **Field of Classification Search** D24/108–110.5, D24/127, 129; 285/304–321

FIG. 1 is a top-left isometric view of a male body of connector for fluid tubing.

See application file for complete search history.

FIG. 2 is a right side elevation view of the male body of FIG. 1.

(56) **References Cited**

U.S. PATENT DOCUMENTS

163,261 A 5/1875 Ruppenthal
185,896 A 1/1877 Curtis
187,982 A 3/1877 Pirsson et al.
200,944 A 3/1878 Smith
235,580 A 12/1880 Smith et al.
327,509 A 10/1885 Aldridge
465,868 A 12/1891 List
584,008 A 6/1897 Munson
725,421 A 4/1903 Dinkins

FIG. 3 is a left side elevation view of the male body of FIG. 1.

FIG. 4 is a front elevation view of the male body of FIG. 1.

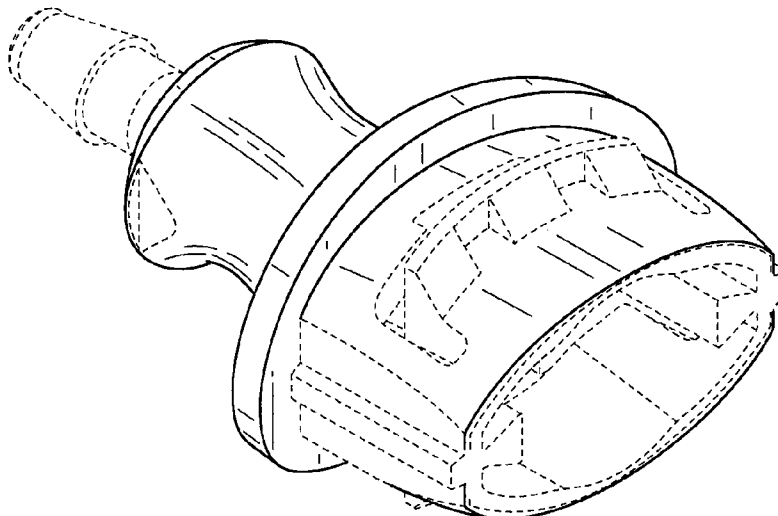
FIG. 5 is a rear elevation view of the male body of FIG. 1.

FIG. 6 is a top plan view of the male body of FIG. 1; and,

FIG. 7 is a bottom plan view of the male body of FIG. 1.

The broken lines shown in the drawings are for illustrative purposes only and form no part of the claimed design.

1 Claim, 6 Drawing Sheets



US D629,894 S

Page 2

U.S. PATENT DOCUMENTS					
			3,314,696 A	4/1967	Ferguson et al.
884,461 A	4/1908	Browne	D209,166 S	11/1967	Hunt
909,131 A	1/1909	Antic	D209,168 S	11/1967	Hunt
951,889 A	3/1910	Teuer	3,352,576 A	11/1967	Thomas
1,029,819 A	6/1912	Nylander	3,382,892 A	5/1968	Cerbin
1,033,187 A	7/1912	Metzger	3,403,930 A	10/1968	Bernier
1,039,354 A	9/1912	Bonadio	3,448,760 A	6/1969	Cranage
1,077,417 A	11/1913	McCracken	3,450,424 A	6/1969	Calisher
1,078,112 A	11/1913	Storm	3,512,808 A	5/1970	Graham
1,193,446 A	8/1916	Wells	3,523,701 A	8/1970	Graham
1,239,345 A	9/1917	Brown	3,538,940 A	11/1970	Graham
1,255,847 A	2/1918	Arkin	3,542,338 A	11/1970	Scaramucci
1,259,684 A	3/1918	Vinten	3,545,490 A	12/1970	Burrus
1,489,310 A	4/1924	Critchlow	3,550,626 A	12/1970	Daniels et al.
1,526,218 A	2/1925	Johnson	3,560,027 A	2/1971	Graham
1,578,504 A	3/1926	Bronson et al.	3,563,265 A	2/1971	Graham
1,587,079 A	6/1926	Machino	3,574,314 A	4/1971	Quercia
1,767,073 A	6/1930	Ingold	3,588,149 A	6/1971	Demler
1,863,360 A	6/1932	Weatherhead	3,596,933 A	8/1971	Luckenbill
1,950,947 A	3/1934	Mulroyan	3,599,843 A	8/1971	Johnston
2,023,428 A	12/1935	Liebhardt	3,600,917 A	8/1971	Krock
2,056,524 A	10/1936	Johnson	3,600,336 A	9/1972	Drum
2,066,473 A	1/1937	Jorgensen	3,712,583 A	1/1973	Martindale et al.
2,097,628 A	11/1937	Liebhardt	3,750,238 A	8/1973	Tanner
2,099,335 A	11/1937	Hansen	3,815,887 A	6/1974	Curtis et al.
2,108,714 A	2/1938	Hirsch et al.	3,817,561 A	6/1974	Kay
2,139,745 A	12/1938	Goodall	3,876,234 A	4/1975	Harms
2,147,355 A	2/1939	Scholtes	3,889,710 A	6/1975	Brost
2,159,116 A	5/1939	Zacharias	3,899,200 A	8/1975	Gamble
2,211,147 A	8/1940	Miller	3,921,656 A	11/1975	Meisenheimer, Jr. et al.
2,257,321 A	9/1941	Arnold	3,979,934 A	9/1976	Isenmann
2,263,293 A	11/1941	Ewald	3,990,674 A	11/1976	Schattenberg
2,340,119 A	1/1944	Graham	4,025,049 A	5/1977	Schmidt
2,346,445 A	4/1944	Merker et al.	4,039,213 A	8/1977	Walters
2,352,728 A	7/1944	Merker et al.	4,072,330 A	2/1978	Brysch
2,429,782 A	10/1947	Versoy	4,099,748 A	7/1978	Kavick
2,432,946 A	12/1947	Theunissen	4,129,145 A	12/1978	Wynn
2,470,800 A	5/1949	Ashton	4,142,546 A	3/1979	Sandau
2,479,499 A	8/1949	Le Clair	D252,470 S	7/1979	Pawlak
2,500,720 A	3/1950	Van der Heem	4,181,149 A	1/1980	Cox
2,507,536 A	5/1950	Goodson	D254,505 S	3/1980	Parsons et al.
2,516,583 A	7/1950	Moore	D255,145 S	5/1980	Nederman
2,535,740 A	12/1950	Knopp	4,220,360 A	9/1980	Jacek et al.
2,577,009 A	12/1951	Frantz	D258,526 S	3/1981	Nederman
2,626,974 A	1/1953	Howard et al.	D259,278 S	5/1981	McCaw
2,630,131 A	3/1953	Snyder	4,271,865 A	6/1981	Galloway et al.
2,661,018 A	12/1953	Snyder	4,287,644 A	9/1981	Durand
2,701,147 A	2/1955	Summerville	4,296,949 A	10/1981	Muetterties et al.
2,722,399 A	11/1955	Oetiker	4,319,774 A	3/1982	Kavick
2,753,195 A	7/1956	Palmer	4,330,010 A	5/1982	Drescher et al.
2,774,616 A	12/1956	Dodd et al.	4,330,142 A	5/1982	Paini
2,790,571 A	4/1957	Flaith et al.	4,331,175 A	5/1982	Brake et al.
2,864,628 A	12/1958	Edleson	4,331,177 A	5/1982	Makishima
2,915,325 A	12/1959	Foster	4,340,200 A	7/1982	Stegmeier
2,926,934 A	3/1960	Gill	4,345,786 A	8/1982	Egert
2,931,668 A	4/1960	Baley	4,346,703 A	8/1982	Dennehey
2,937,892 A	5/1960	Prescott, Jr.	4,351,351 A	9/1982	Flory et al.
2,948,553 A	8/1960	Gill et al.	4,366,816 A	1/1983	Bayard et al.
2,991,090 A	7/1961	De Cenzo	4,393,548 A	7/1983	Herb
3,017,203 A	1/1962	Macleod	4,397,442 A	8/1983	Larkin
3,037,497 A	6/1962	Roberson	4,434,121 A	2/1984	Schaper
3,073,342 A	1/1963	Magorien	4,436,125 A	3/1984	Blenkush
3,078,068 A	2/1963	Romney	4,437,689 A	3/1984	Goebel et al.
D196,473 S	10/1963	Hill	4,439,188 A	3/1984	Dennehey
3,124,157 A	3/1964	Krzewina	4,458,719 A	7/1984	Strybel
3,171,196 A	3/1965	Helitas	4,500,118 A	2/1985	Blenkush
3,217,771 A	11/1965	Beall et al.	4,527,745 A	7/1985	Butterfield et al.
3,227,380 A	1/1966	Pinkston	4,541,457 A	9/1985	Blenkush
3,237,974 A	3/1966	Press	4,541,657 A	9/1985	Smyth
3,245,703 A	4/1966	Manly	D282,962 S	3/1986	Gerber
3,276,799 A	10/1966	Moore et al.	4,603,888 A	8/1986	Goodall et al.
3,279,497 A	10/1966	Norton et al.	4,613,112 A	9/1986	Philipot et al.
			4,616,859 A	10/1986	Brunet

US D629,894 S

4,632,436 A	12/1986	Kimura	5,547,166 A	8/1996	Engdahl
4,658,326 A	4/1987	Clark et al.	5,553,895 A	9/1996	Karl et al.
4,694,544 A	9/1987	Chapman	D375,160 S	10/1996	Sampson et al.
4,699,298 A	10/1987	Grant et al.	5,568,946 A	10/1996	Jackowski
4,703,957 A	11/1987	Blenkush	5,595,217 A	1/1997	Gillen et al.
4,706,847 A	11/1987	Sankey et al.	5,628,726 A	5/1997	Cotter
4,712,280 A	12/1987	Fildan	D380,262 S	6/1997	Van Funderburk et al.
4,738,401 A	4/1988	Filicicchia	D382,639 S *	8/1997	Musgrave et al. D24/129
4,753,268 A	6/1988	Palau	D387,147 S	12/1997	Vandermast et al.
4,776,067 A	10/1988	Sorensen	5,695,223 A	12/1997	Boticki
4,790,567 A	12/1988	Kawano et al.	D388,876 S	1/1998	Sampson
4,790,569 A	12/1988	Chaffee	5,709,244 A	1/1998	Patriquin et al.
4,792,115 A	12/1988	Jindra et al.	5,725,258 A	3/1998	Kujawski
4,793,637 A	12/1988	Laipply et al.	5,737,810 A	4/1998	Krauss
D300,361 S	3/1989	Tokarz	5,745,957 A	5/1998	Khokhar et al.
4,827,921 A	5/1989	Rugheimer	5,746,414 A	5/1998	Weldon et al.
4,832,237 A	5/1989	Hurford, Jr.	5,762,646 A	6/1998	Cotter
4,834,423 A	5/1989	DeLand	5,799,987 A	9/1998	Sampson
4,844,512 A	7/1989	Gahwiler	5,820,614 A	10/1998	Erskine et al.
4,863,201 A	9/1989	Carstens	5,845,943 A	12/1998	Ramacier, Jr. et al.
4,896,402 A	1/1990	Jansen et al.	5,855,568 A	1/1999	Battiato et al.
4,900,065 A	2/1990	Houck	5,882,047 A	3/1999	Ostrander et al.
4,903,995 A	2/1990	Blenkush et al.	D407,803 S	4/1999	Redman
4,923,228 A	5/1990	Laipply et al.	5,897,142 A	4/1999	Kulevsky
4,934,655 A	6/1990	Blenkush et al.	5,911,367 A	6/1999	McInerney
4,935,992 A	6/1990	Due	5,911,403 A	6/1999	deCler et al.
4,949,745 A	8/1990	McKeon	5,911,404 A	6/1999	Cheng
4,966,398 A *	10/1990	Peterson 285/319	5,930,424 A	7/1999	Heimberger et al.
4,969,879 A	11/1990	Lichte	5,938,244 A	8/1999	Meyer
D313,067 S	12/1990	Kotake et al.	5,941,577 A	8/1999	Musellec
D313,277 S	12/1990	Haining	D413,967 S	9/1999	Yuen
D314,050 S	1/1991	Sone	5,957,898 A	9/1999	Jepson et al.
D314,233 S	1/1991	Medvick	5,964,485 A	10/1999	Hame et al.
4,982,736 A	1/1991	Schneider	5,975,489 A	11/1999	deCler et al.
4,991,880 A	2/1991	Bernart	5,984,378 A	11/1999	Ostrander et al.
5,009,252 A	4/1991	Faughn	6,015,171 A	1/2000	Schorn
5,033,777 A	7/1991	Blenkush	D419,861 S	2/2000	Khokhar
D319,312 S *	8/1991	Schneider D24/129	6,024,124 A	2/2000	Braun et al.
5,052,725 A	10/1991	Meyer et al.	6,029,701 A	2/2000	Chaffardon et al.
5,074,601 A	12/1991	Spors et al.	6,032,691 A	3/2000	Powell et al.
5,076,615 A	12/1991	Sampson	D422,487 S	4/2000	Khokhar
5,078,429 A	1/1992	Braut et al.	6,050,297 A	4/2000	Ostrowski et al.
5,090,448 A	2/1992	Truchet	6,076,234 A	6/2000	Khokhar et al.
5,090,747 A	2/1992	Kotake	6,077,259 A	6/2000	Caizza et al.
5,094,482 A	3/1992	Petty et al.	6,082,401 A	7/2000	Braun et al.
5,104,158 A	4/1992	Meyer et al.	6,089,540 A	7/2000	Heinrichs et al.
D326,155 S	5/1992	Boehringer et al.	6,112,855 A	9/2000	Camacho et al.
5,112,084 A	5/1992	Washizu	6,123,690 A	9/2000	Mejslov
5,114,250 A	5/1992	Usui	6,135,150 A	10/2000	Powell et al.
5,123,677 A	6/1992	Kreczko et al.	6,135,992 A	10/2000	Wang
5,160,177 A	11/1992	Washizu	6,152,914 A	11/2000	Van De Kerkhof et al.
5,165,733 A	11/1992	Sampson	6,161,578 A	12/2000	Braun et al.
5,176,406 A	1/1993	Straghan	6,182,694 B1	2/2001	Sievers et al.
D333,178 S	2/1993	Novy	6,189,560 B1	2/2001	Reynolds
5,190,224 A	3/1993	Hamilton	6,199,919 B1	3/2001	Kawasaki et al.
5,222,279 A	6/1993	Frano et al.	6,221,064 B1	4/2001	Nadal
5,228,724 A	7/1993	Godeau	6,231,089 B1	5/2001	DeCler et al.
5,232,020 A	8/1993	Mason et al.	D444,054 S	6/2001	Bernard et al.
D339,417 S	9/1993	Sampson et al.	6,257,626 B1	7/2001	Campau
5,316,041 A	5/1994	Ramacier, Jr. et al.	6,261,282 B1	7/2001	Jepson et al.
5,330,235 A	7/1994	Wagner et al.	6,293,596 B1	9/2001	Kinder
5,356,183 A	10/1994	Cole	6,302,147 B1	10/2001	Rose et al.
5,374,088 A	12/1994	Moretti et al.	6,318,764 B1	11/2001	Trede et al.
5,385,311 A	1/1995	Morikawa et al.	6,344,033 B1	2/2002	Jepson et al.
5,385,331 A	1/1995	Allread et al.	D459,206 S	6/2002	Caveney et al.
D357,307 S	4/1995	Ramacier, Jr. et al.	6,402,207 B1	6/2002	Segal et al.
5,405,339 A	4/1995	Kohnen et al.	6,423,053 B1	7/2002	Lee
5,405,340 A	4/1995	Fageol et al.	6,481,759 B1	11/2002	Kawasaki et al.
5,437,650 A	8/1995	Larkin et al.	6,485,483 B1	11/2002	Fujii
5,494,074 A	2/1996	Ramacier, Jr. et al.	6,505,866 B1	1/2003	Nakamura et al.
5,507,733 A	4/1996	Larkin et al.	6,508,807 B1 *	1/2003	Peters 604/533
D372,093 S	7/1996	Sampson et al.	6,520,546 B2	2/2003	Szabo
5,536,258 A	7/1996	Folden	D471,261 S	3/2003	Kozu

US D629,894 S

6,540,263 B1	4/2003	Sausner		7,044,161 B2	5/2006	Tiberghien	
6,595,964 B2	7/2003	Finley et al.		7,044,506 B2	5/2006	Dong	
6,612,634 B1	9/2003	Zoppas		7,108,297 B2	9/2006	Takayanagi et al.	
6,626,465 B2	9/2003	Lacroix et al.		7,128,348 B2	10/2006	Kawamura et al.	
6,641,177 B1	11/2003	Pinciario		7,137,654 B2	11/2006	Segal et al.	
6,649,829 B2	11/2003	Garber et al.		7,147,252 B2	12/2006	Teuscher et al.	
6,652,007 B1	11/2003	Hwang		7,153,296 B2	12/2006	Mitchell	
D484,241 S *	12/2003	Peters et al. D24/129	D540,944 S *	4/2007	Guala D24/129
6,669,681 B2	12/2003	Jepson et al.		D550,355 S	9/2007	Racz et al.	
6,676,172 B2	1/2004	Alksnis		D557,409 S *	12/2007	Veliss et al. D24/110.1
D486,909 S *	2/2004	Cise et al. D24/129	D569,955 S	5/2008	Chen	
6,688,654 B2	2/2004	Romero		D570,457 S	6/2008	Brown	
6,692,038 B2	2/2004	Braun		7,390,029 B2	6/2008	Matsubara	
6,722,705 B2	4/2004	Korkor		7,434,842 B2	10/2008	Schmidt	
D495,050 S *	8/2004	Guala D24/129	7,467,813 B2	12/2008	Gunderson	
6,783,520 B1	8/2004	Candray et al.		7,547,047 B2	6/2009	deCler et al.	
6,799,747 B1	10/2004	Lai		D595,846 S *	7/2009	Racz et al. D24/129
6,840,277 B1	1/2005	Nimberger		D596,739 S *	7/2009	Ng et al. D24/110.1
6,848,723 B2	2/2005	Lamich		7,562,906 B2	7/2009	Schmidt	
6,863,314 B2	3/2005	Guest		7,647,954 B2	1/2010	Garber et al.	
6,871,878 B2	3/2005	Miros		7,677,608 B2	3/2010	Takayanagi	
D503,778 S	4/2005	Wicks		D613,853 S *	4/2010	Ng et al. D24/110.1
6,886,803 B2	5/2005	Mikiya et al.		2004/0232696 A1	11/2004	Andre	
6,897,374 B2	5/2005	Garber et al.		2005/0057042 A1	3/2005	Wicks	
6,899,315 B2	5/2005	Maiville et al.		2005/0082828 A1	4/2005	Wicks et al.	
6,929,246 B2	8/2005	Arzenton et al.		2007/0029796 A1	2/2007	Bibby	
6,945,273 B2	9/2005	Reid		2007/0169825 A1	7/2007	Packham et al.	
6,949,084 B2	9/2005	Marggi et al.		2007/0209716 A1	9/2007	Rankin	
6,997,919 B2	2/2006	Olsen et al.		2008/0277924 A1	11/2008	Jensen et al.	
7,005,581 B2	2/2006	Burnette		2009/0256355 A1	10/2009	Wicks et al.	
7,011,342 B2	3/2006	Guivarc'h et al.		2010/0001516 A1	1/2010	Pisula, Jr. et al.	
D522,109 S	5/2006	White et al.					

* cited by examiner

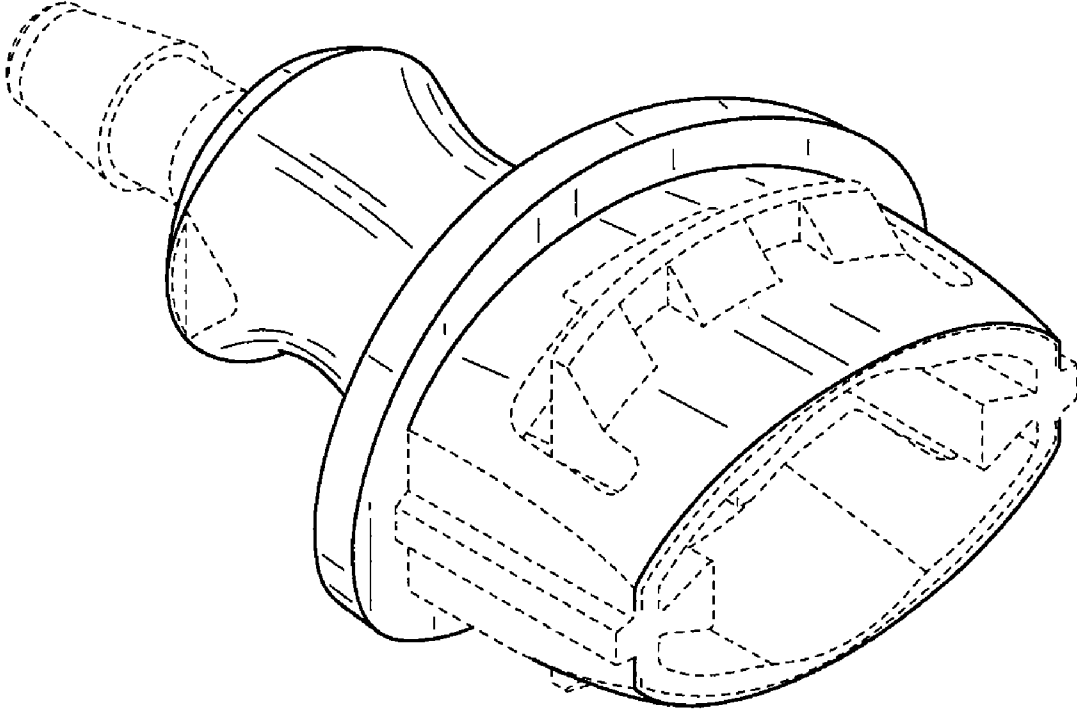


FIG.1

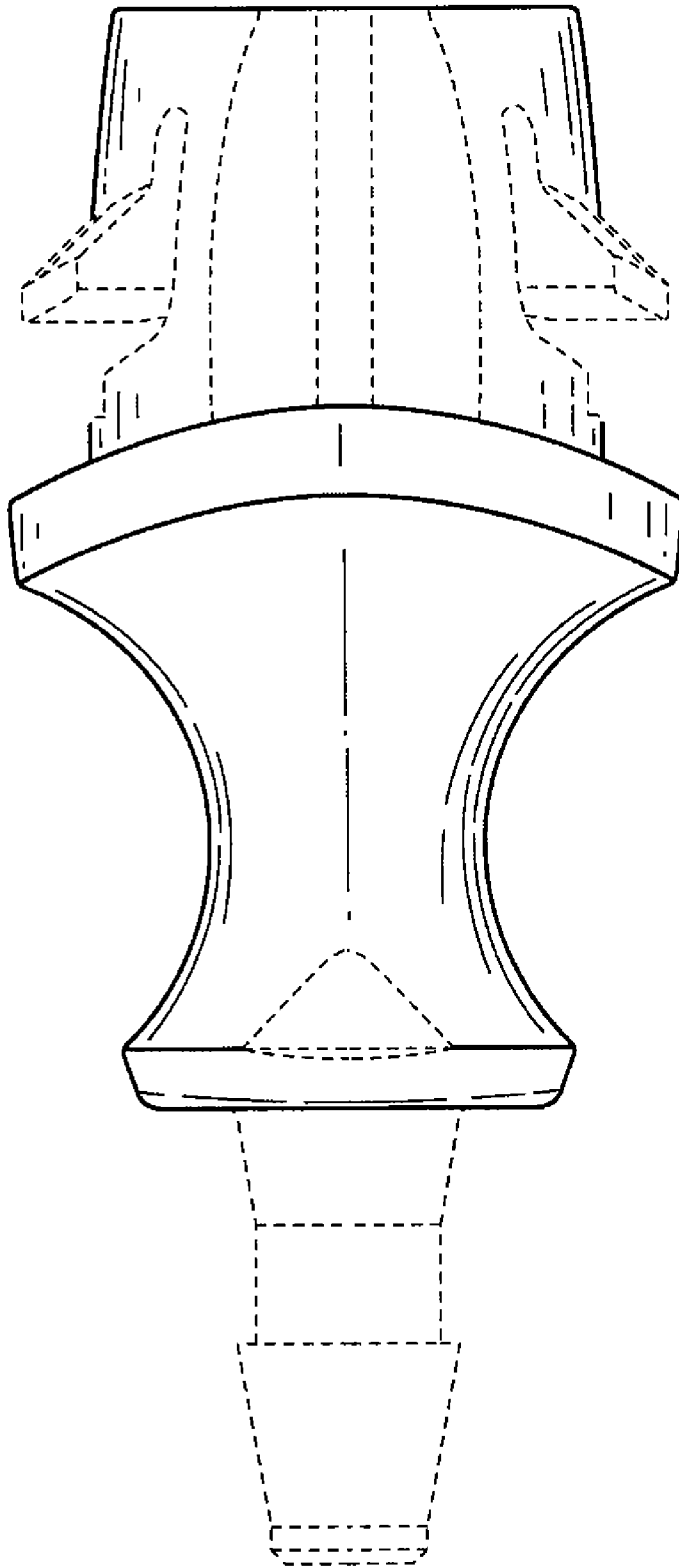


FIG.2

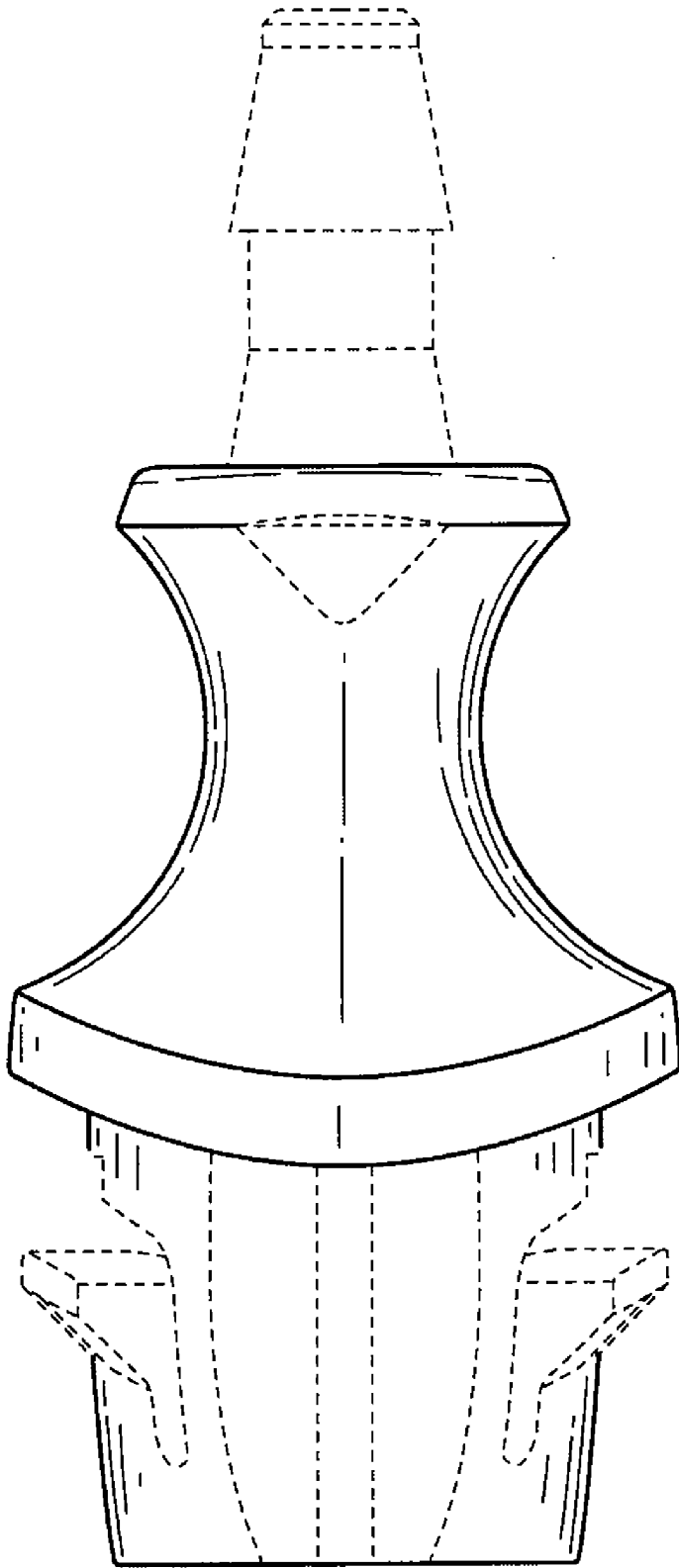


FIG.3

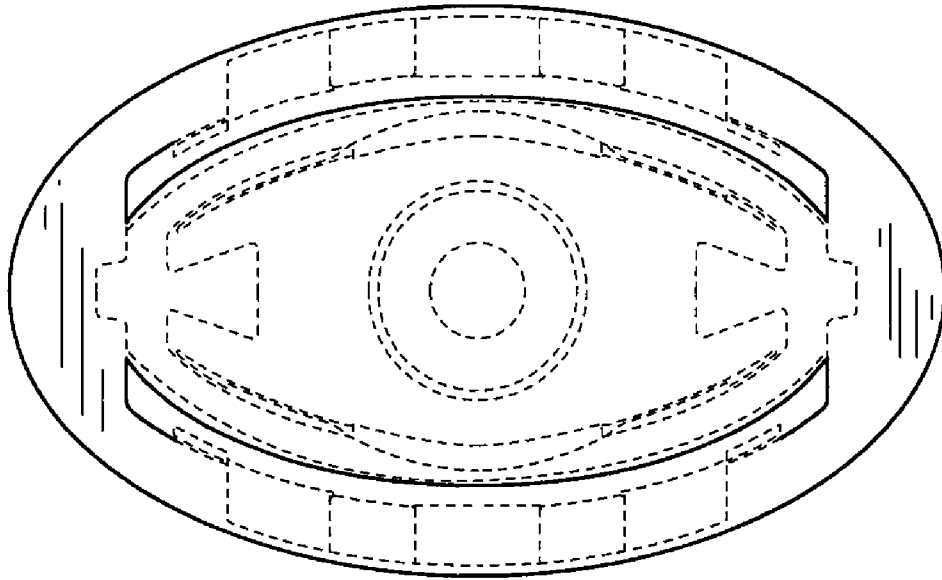


FIG. 4

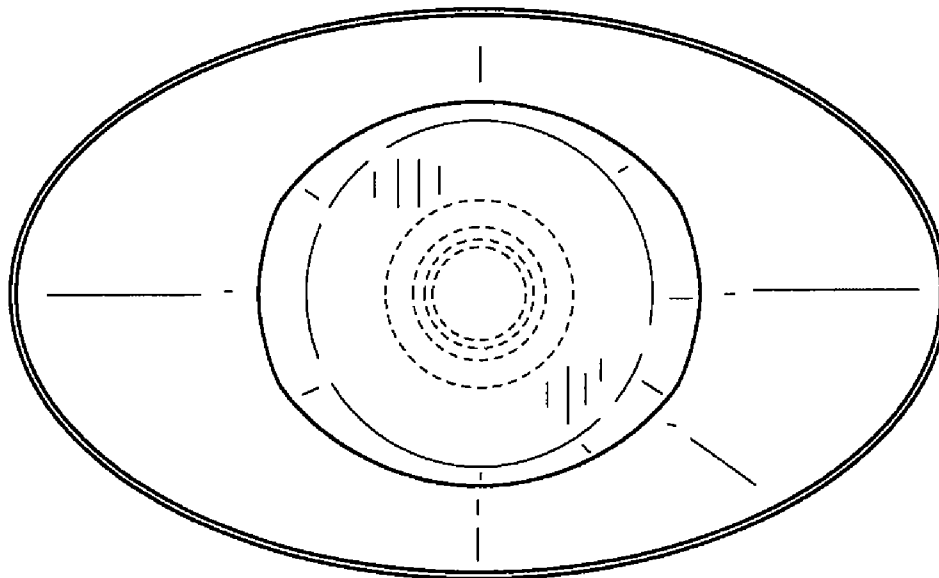


FIG. 5

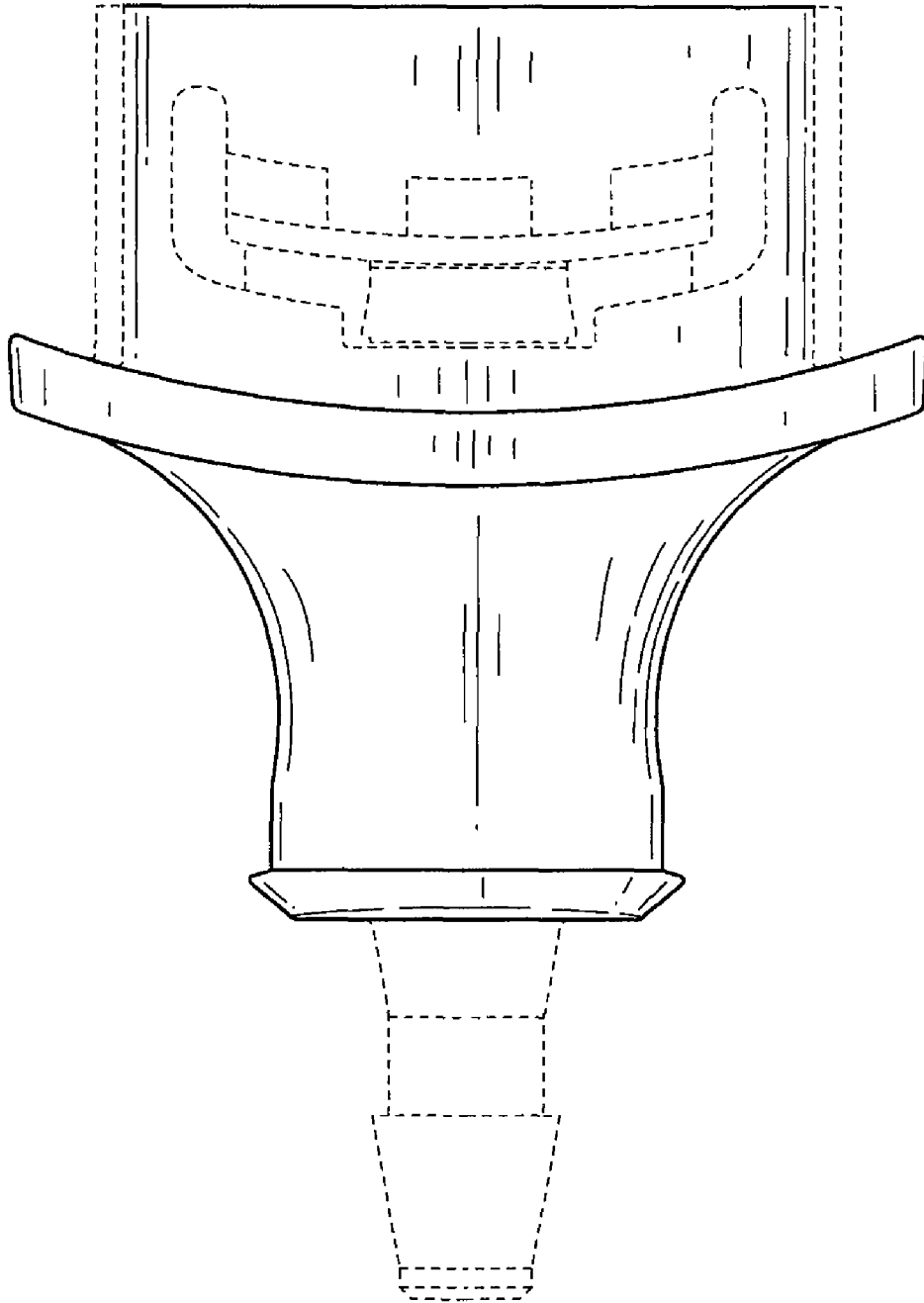


FIG.6

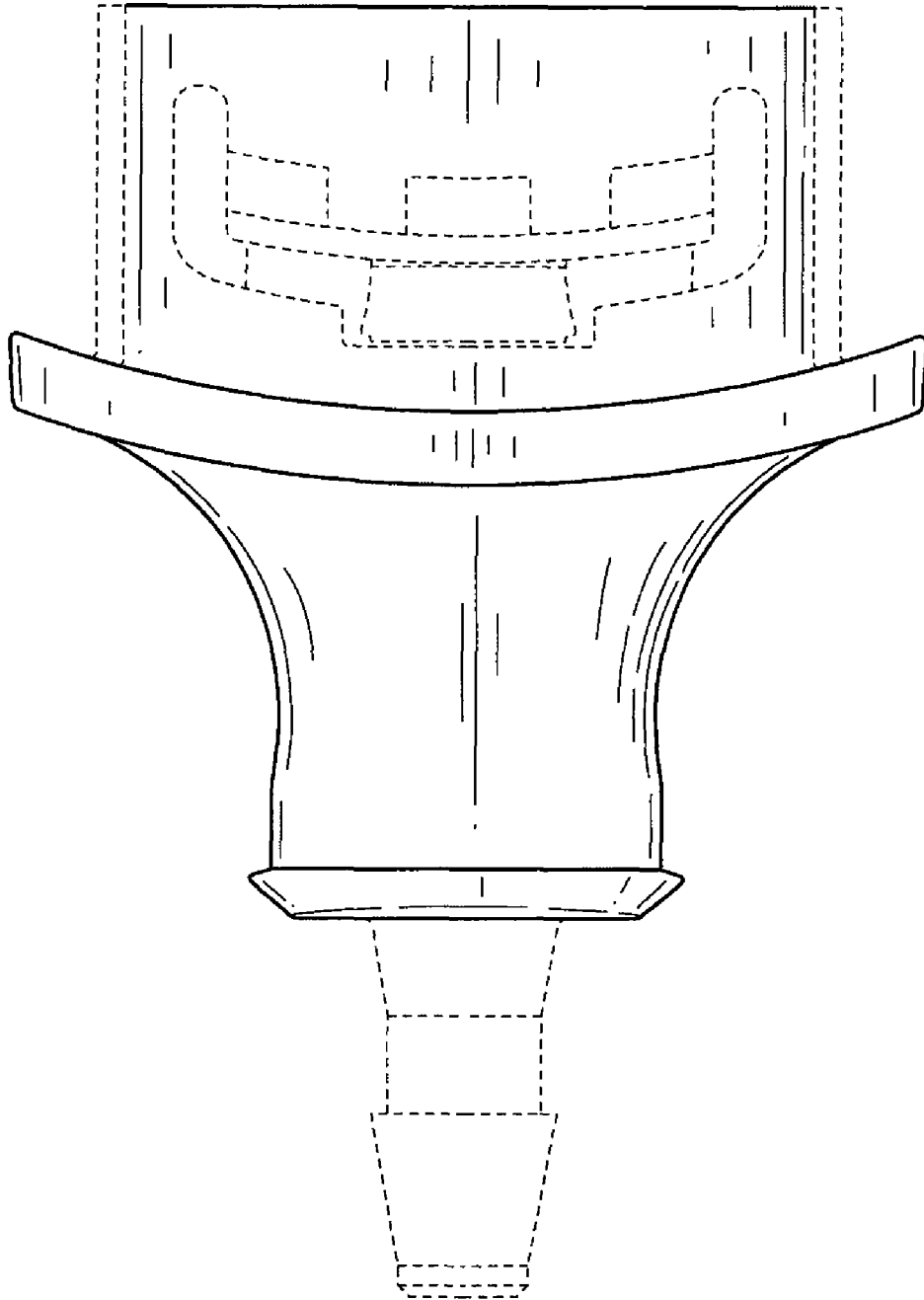


FIG.7