



US00D824664S

(12) **United States Design Patent**
Munie

(10) **Patent No.:** **US D824,664 S**

(45) **Date of Patent:** **** Aug. 7, 2018**

- (54) **BAG**
- (71) Applicant: **YETI Coolers, LLC**, Austin, TX (US)
- (72) Inventor: **Jeff Munie**, Austin, TX (US)
- (73) Assignee: **YETI Coolers, LLC**, Austin, TX (US)
- (**) Term: **15 Years**

4,033,013	A	7/1977	Peterson
D256,097	S	7/1980	Amberg
4,213,549	A	7/1980	Hibbard
4,421,150	A	12/1983	Masters
4,489,770	A	12/1984	Reich, II
D284,254	S	6/1986	Carlson
4,716,947	A	1/1988	Haddock
4,738,390	A	4/1988	Brennan

(Continued)

FOREIGN PATENT DOCUMENTS

EM	000596333-0007	10/2006
EM	001519406-0001	6/2009

(Continued)

Primary Examiner — Holly H Baynham

(74) *Attorney, Agent, or Firm* — Banner & Witcoff, Ltd.

- (21) Appl. No.: **29/594,746**
- (22) Filed: **Feb. 22, 2017**
- (51) **LOC (11) Cl.** **03-01**
- (52) **U.S. Cl.**
USPC **D3/232**
- (58) **Field of Classification Search**
USPC D3/232, 240–243, 245–246, 318
CPC A45C 1/024; A45C 3/06
See application file for complete search history.

(57) **CLAIM**

The ornamental design for a bag, as shown and described.

DESCRIPTION

FIG. 1 is a front perspective view of a bag showing my new design;
 FIG. 2 is a front view thereof;
 FIG. 3 is a rear view thereof;
 FIG. 4 is a side view thereof;
 FIG. 5 is an opposite side view thereof;
 FIG. 6 is a top view thereof;
 FIG. 7 is a bottom view thereof; and,
 FIG. 8 is a front perspective view thereof shown in a closed configuration.

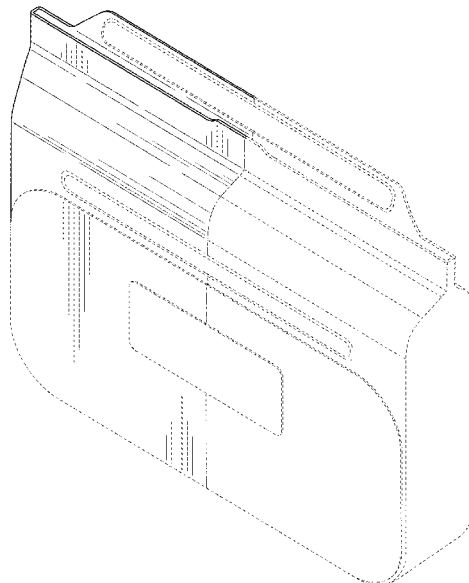
The uneven-length broken lines represent unclaimed boundaries of the claimed design, and the even-length broken lines immediately adjacent to the shaded area represent unclaimed boundaries of the design. The even-length broken lines showing the remainder of the bag represents unclaimed subject matter and form no part of the claimed design.

1 Claim, 6 Drawing Sheets

(56) **References Cited**

U.S. PATENT DOCUMENTS

1,631,371	A	6/1927	Greubel	
1,671,385	A *	5/1928	Strayer A45C 11/22 206/811
1,712,109	A	5/1929	Hammer	
1,809,696	A	6/1931	Heilweil	
1,899,696	A	2/1933	Freedman	
1,942,246	A	1/1934	Johaneson	
1,986,057	A	1/1935	Hackworth	
2,304,528	A	12/1942	Bafia	
2,496,296	A	2/1950	Lobl	
2,513,575	A	7/1950	Lombard	
2,522,480	A	9/1950	Davis	
2,672,232	A	3/1954	Kessell, Jr.	
3,455,359	A	7/1969	Schweizer	
3,716,091	A	2/1973	Gaines	
3,749,301	A	7/1973	Peckar	
3,831,986	A	8/1974	Kobayashi	
3,998,304	A	12/1976	Edgerton, Jr. et al.	



(56)

References Cited

U.S. PATENT DOCUMENTS

D304,008	S	10/1989	Hornung	D607,701	S	1/2010	Pedrazzi et al.
4,905,857	A	3/1990	Her	D609,056	S	2/2010	Pierce
5,030,013	A	7/1991	Kramer	D617,149	S	6/2010	Olivari
5,181,555	A	1/1993	Chruniak	7,730,739	B2	6/2010	Fuchs
5,216,900	A	6/1993	Jones	D620,376	S	7/2010	Peysner et al.
5,226,540	A	7/1993	Bradbury	7,793,782	B2	9/2010	Chuang
5,237,838	A	8/1993	Merritt-Munson	D630,939	S	1/2011	Peters et al.
5,244,136	A	9/1993	Collaso	7,896,199	B2	3/2011	Kaczmarek
5,370,622	A	12/1994	Livingston et al.	D644,024	S *	8/2011	Jobert D3/245
5,372,429	A	12/1994	Beaver, Jr. et al.	8,005,251	B2	8/2011	Chan
5,505,305	A	4/1996	Scholz et al.	D653,915	S	2/2012	George
D372,173	S	7/1996	Fukuda et al.	D664,425	S	7/2012	Krupa
5,540,366	A	7/1996	Coomber	8,223,997	B2	7/2012	Wilson, II et al.
5,645,205	A	7/1997	Kennedy	D668,119	S	10/2012	Everson
D386,611	S	11/1997	Sheu	D677,511	S	3/2013	Gray
5,706,940	A	1/1998	Amarello	8,399,764	B2	3/2013	Klosky
5,797,683	A	8/1998	Gunzi et al.	8,403,975	B2	3/2013	Nadas
5,816,709	A	10/1998	Demus	8,424,680	B2	4/2013	Fair et al.
5,844,772	A	12/1998	Lee et al.	8,434,617	B1	5/2013	Wang
5,875,795	A	3/1999	Bouix	8,550,714	B2	10/2013	Ben-Shushan et al.
D411,446	S	6/1999	Cautereels	8,573,002	B2	11/2013	Ledoux et al.
D412,267	S	7/1999	Anderson	D694,521	S	12/2013	Robinson et al.
6,067,813	A	5/2000	Smith	D695,015	S	12/2013	Robinson et al.
6,068,119	A	5/2000	Derr et al.	8,607,536	B2	12/2013	Bailey et al.
6,073,789	A	6/2000	Lundblade	D701,456	S	3/2014	Farley et al.
6,092,707	A	7/2000	Bowes, Jr.	D703,493	S	4/2014	de Ste. Croix et al.
6,112,959	A	9/2000	Townsend	D709,333	S	7/2014	Stamatopoulos
6,149,305	A	11/2000	Fier	D709,334	S	7/2014	Stamatopoulos
6,179,677	B1	1/2001	Dornier	8,770,402	B2	7/2014	Bergreen et al.
6,223,551	B1	5/2001	Mitchell	D727,107	S	4/2015	Parodi, Jr.
6,224,258	B1	5/2001	Dodson	D734,643	S	7/2015	Boroski
6,336,340	B1	1/2002	Laby	D734,761	S	7/2015	Ballou et al.
6,361,210	B2	3/2002	Denko	D736,569	S	8/2015	Bronwasser et al.
D460,898	S	7/2002	Wang	9,122,941	B2	9/2015	Hoobler et al.
6,422,032	B1	7/2002	Greene	9,139,352	B2	9/2015	Seiders et al.
6,427,475	B1	8/2002	DeFelice et al.	9,167,876	B2	10/2015	Yamaguchi et al.
D463,276	S	9/2002	Piscopo et al.	9,220,328	B2	12/2015	Magness
6,470,705	B2	10/2002	Bride-Flynn	9,264,089	B2	2/2016	Tages
D472,773	S	4/2003	Samartgis	D751,814	S *	3/2016	Louboutin D3/232
6,601,403	B1	8/2003	Roth et al.	9,290,313	B2	3/2016	De Lesseux et al.
D482,529	S	11/2003	Hardigg et al.	9,307,315	B2	4/2016	McKeough
6,646,864	B2	11/2003	Richardson	9,334,087	B2	5/2016	Cho et al.
6,659,274	B2	12/2003	Enners	D758,805	S	6/2016	Myoung
D485,069	S	1/2004	Parker	9,392,855	B2	7/2016	Taylor
6,698,608	B2	3/2004	Parker et al.	D763,569	S *	8/2016	Tal D3/232
6,722,784	B2	4/2004	Breil, Jr.	D763,629	S	8/2016	Swartz et al.
6,742,354	B1	6/2004	Watts	9,444,506	B2	9/2016	Lai et al.
6,749,551	B2	6/2004	Metzler et al.	D787,821	S *	5/2017	Liu D3/245
6,821,018	B1	11/2004	Denko	2001/0051378	A1	12/2001	Radmacher et al.
6,915,934	B2	7/2005	Hassett	2002/0012480	A1	1/2002	Konno
6,929,125	B1	8/2005	Seamans	2004/0183313	A1	9/2004	Sherman et al.
6,955,381	B2	10/2005	Parker et al.	2005/0116003	A1	6/2005	Butler et al.
D513,123	S	12/2005	Richardson et al.	2005/0230465	A1	10/2005	Metzler et al.
D513,451	S	1/2006	Richardson et al.	2005/0262871	A1	12/2005	Bailey-Weston
D514,808	S	2/2006	Morine et al.	2006/0003709	A1	1/2006	Wood
D516,309	S	3/2006	Richardson et al.	2006/0072857	A1	4/2006	Revels
D516,807	S	3/2006	Richardson et al.	2007/0215663	A1	9/2007	Chongson et al.
D516,870	S	3/2006	Martinez et al.	2007/0232109	A1	10/2007	Parker et al.
7,017,776	B1	3/2006	Hupp	2007/0261977	A1	11/2007	Sakai
D523,242	S	6/2006	Hardigg et al.	2007/0261978	A1	11/2007	Sanderson
D527,226	S	8/2006	Maldonado	2008/0077289	A1	3/2008	Fujishima
D529,344	S	10/2006	Maldonado	2009/0114557	A1	5/2009	Nelson
D543,700	S	6/2007	Parker et al.	2009/0184143	A1	7/2009	Witt et al.
D550,210	S	9/2007	Polany et al.	2009/0208146	A1	8/2009	Kirby
7,299,652	B2	11/2007	Gagnon	2010/0040307	A1	2/2010	Lien
7,301,303	B1	11/2007	Hulden	2010/0140861	A1	6/2010	Kubota et al.
D573,844	S	7/2008	Hanson et al.	2010/0181220	A1	7/2010	Dasara
7,400,917	B2	7/2008	Wood et al.	2010/0298025	A1	11/2010	Spence
D577,261	S	9/2008	Wang	2010/0310194	A1	12/2010	Archambault
7,496,195	B2	2/2009	Kramer	2012/0096669	A1	4/2012	Treacy
7,513,633	B2	4/2009	Ermeti	2012/0137637	A1	6/2012	Gillis
D592,910	S	5/2009	Hanson et al.	2013/0077897	A1	3/2013	Li
D598,647	S *	8/2009	Kertesz D3/232	2013/0221048	A1	8/2013	Revels et al.
D601,383	S	10/2009	Shah	2013/0230260	A1	9/2013	Maynard et al.
D602,740	S	10/2009	Urquiola	2013/0242481	A1	9/2013	Kim et al.
				2013/0243354	A1	9/2013	Lytle
				2014/0066144	A1	3/2014	Hong
				2014/0138378	A1	5/2014	Lequeux
				2014/0138384	A1	5/2014	O'Brien

(56)

References Cited

U.S. PATENT DOCUMENTS

2014/0158558	A1	6/2014	Ye	EM	001294060-0002	10/2013
2014/0209011	A1	7/2014	Byun	EM	001294060-0003	10/2013
2014/0254956	A1	9/2014	Buell, III	EM	002540948-0003	9/2014
2014/0262658	A1	9/2014	Wegener	EM	002541185-0003	9/2014
2014/0360892	A1	12/2014	Lin	EM	002515247-0001	10/2014
2015/0037799	A1	2/2015	Takagi	EM	002515247-0002	10/2014
2015/0239631	A1	8/2015	Kinsky	EM	002550715-0002	10/2014
2015/0305402	A1	10/2015	Bourgoin	EM	002630814-0002	2/2015
2016/0021997	A1	1/2016	Gonzalez	EM	002838573-0001	11/2015
2016/0023808	A1	1/2016	Traverso et al.	JP	D2010-8653	12/2010
2016/0130040	A1	5/2016	Yeh	JP	D2012-551	8/2012
2016/0198823	A1	7/2016	Bergreen et al.	KR	3020070006269	12/2007
2016/0235174	A1	8/2016	Lenci et al.	KR	3020070006271	2/2008
2016/0269517	A1	9/2016	Alexander	KR	3020100039256	4/2012
				KR	3020120016755	9/2012
				KR	3020140014014	11/2014
				WO	D091354-003	3/2016

FOREIGN PATENT DOCUMENTS

EM	001922204-0001	11/2011
EM	002047233-0001	5/2012
EM	002294322-0002	8/2013

* cited by examiner

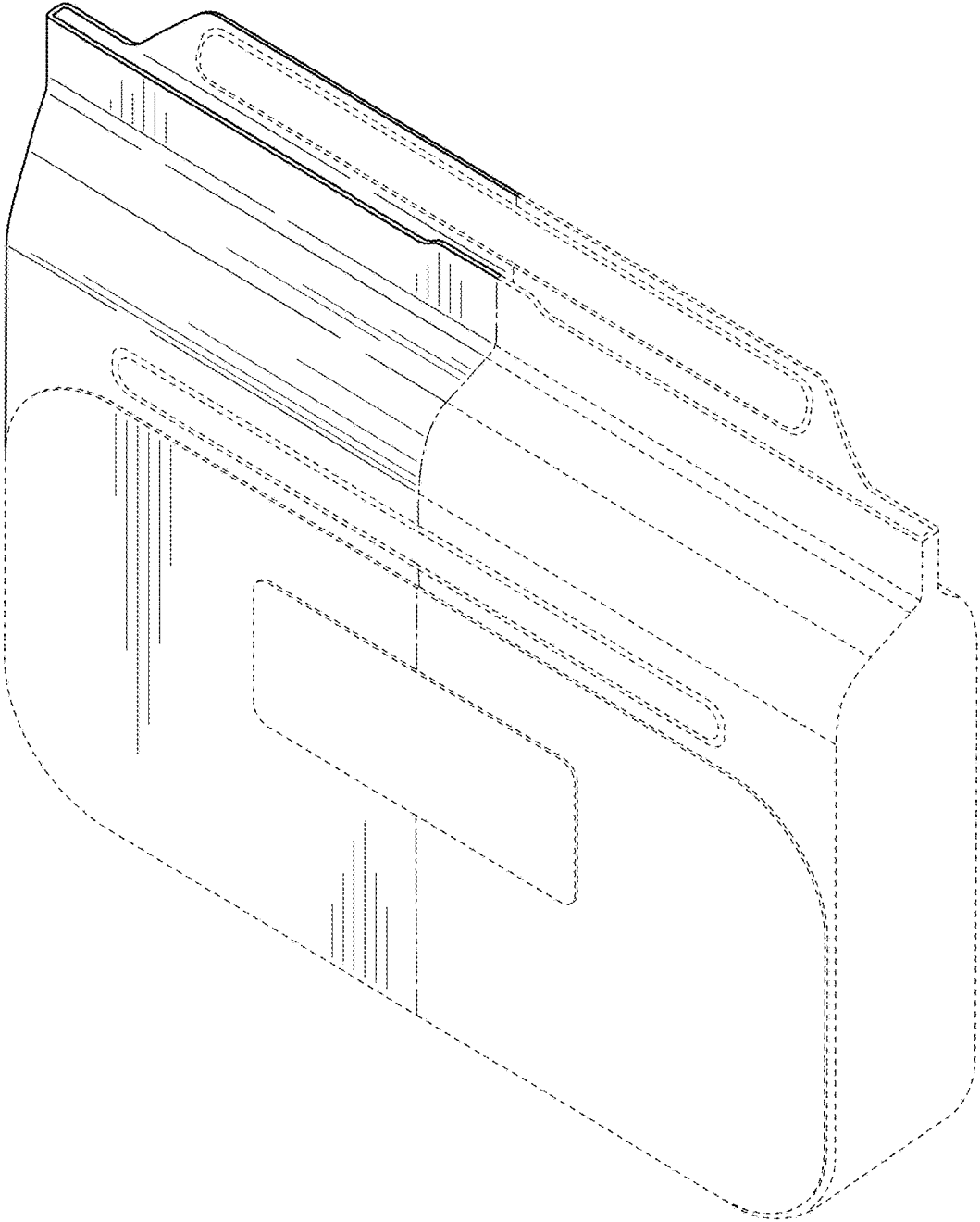


FIG. 1

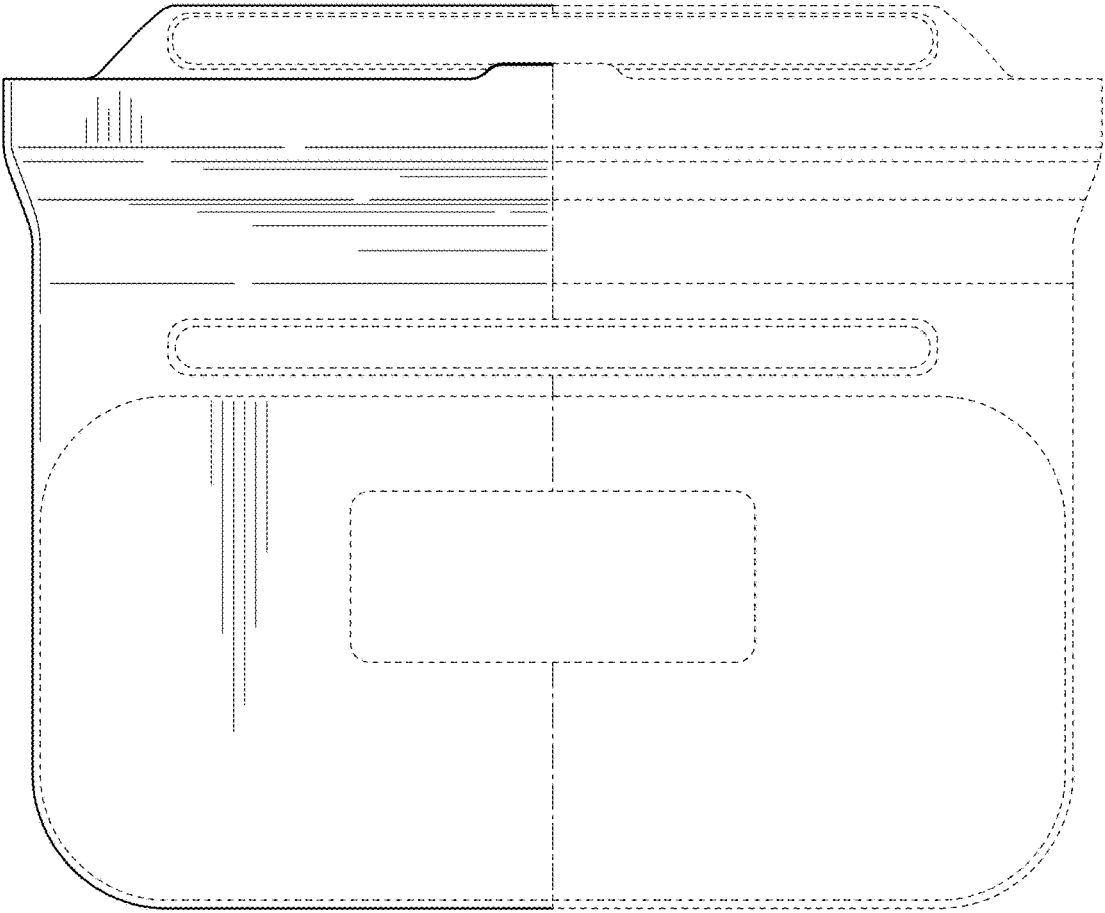


FIG. 2

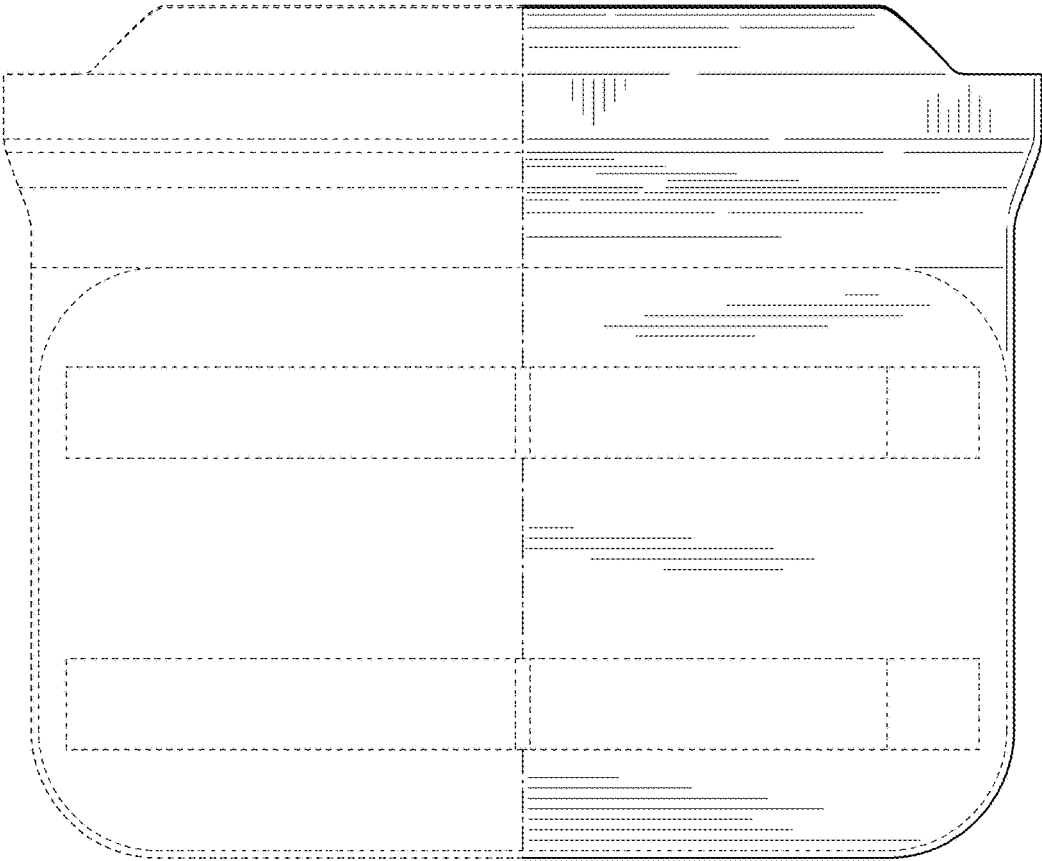


FIG. 3

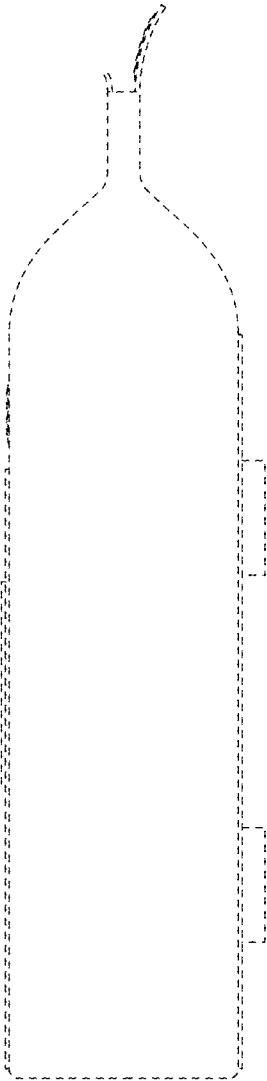


FIG. 4

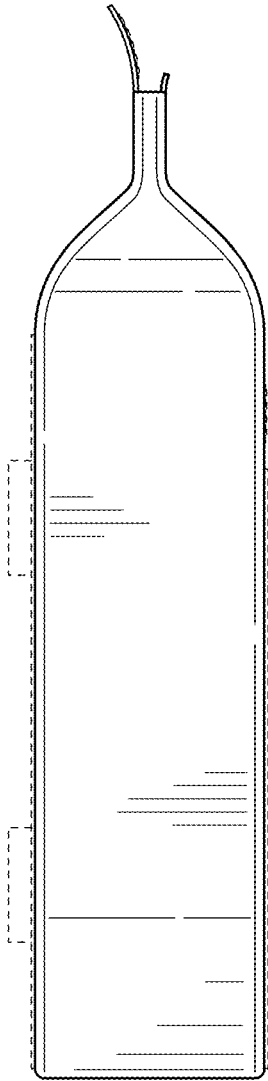


FIG. 5

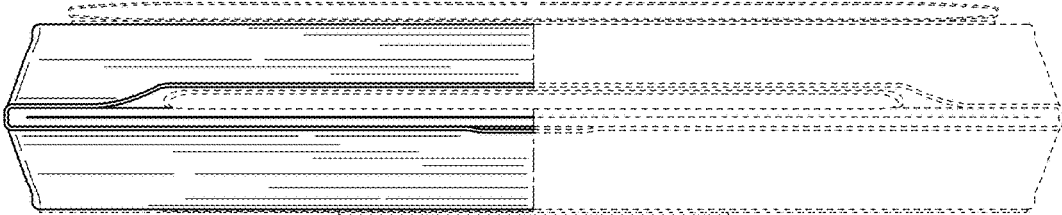


FIG. 6

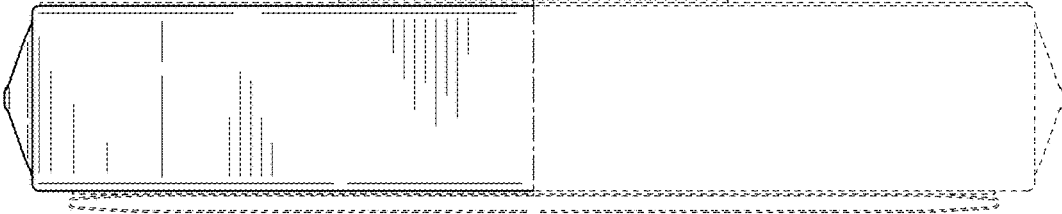


FIG. 7

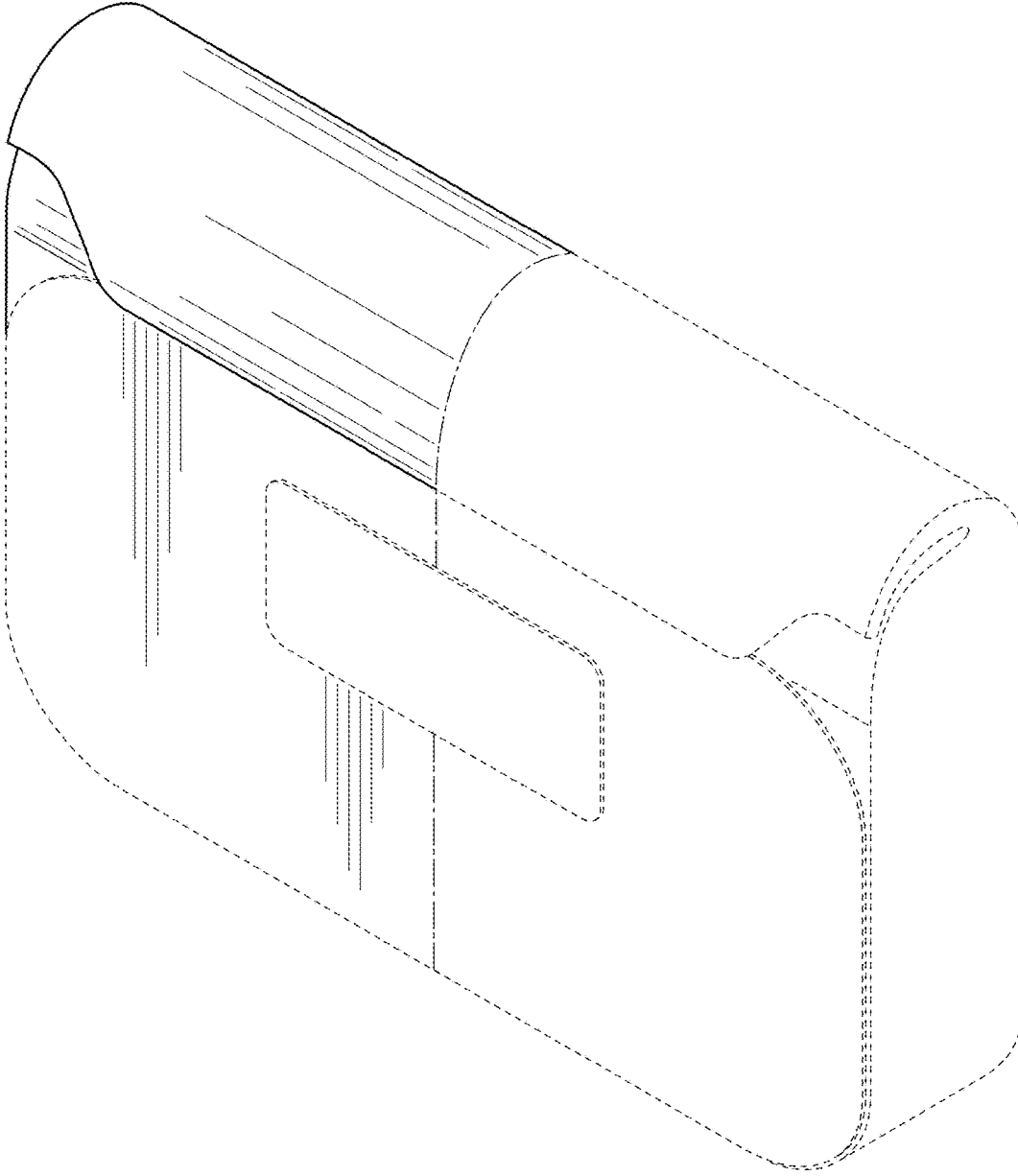


FIG. 8