



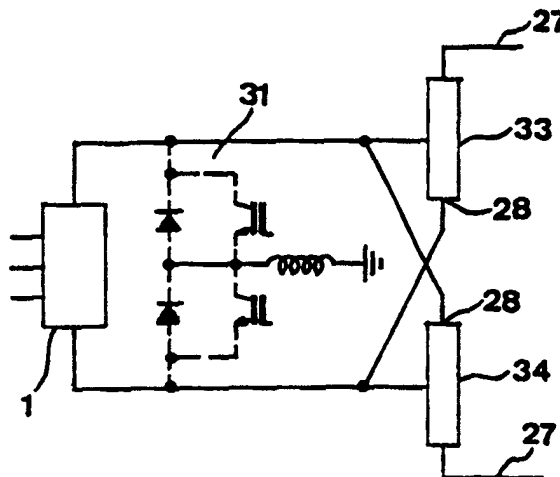
INTERNATIONAL APPLICATION PUBLISHED UNDER THE PATENT COOPERATION TREATY (PCT)

<p>(51) International Patent Classification ⁶ : H02J 5/00, H02M 3/155, H02J 3/36</p>	<p>A3</p>	<p>(11) International Publication Number: WO 98/43336 (43) International Publication Date: 1 October 1998 (01.10.98)</p>
<p>(21) International Application Number: PCT/SE98/00502 (22) International Filing Date: 20 March 1998 (20.03.98) (30) Priority Data: 9701060-7 24 March 1997 (24.03.97) SE 9703329-4 16 September 1997 (16.09.97) SE (71) Applicant (for all designated States except US): ASEA BROWN BOVERI AB [SE/SE]; S-721 78 Västerås (SE). (72) Inventors; and (75) Inventors/Applicants (for US only): ERIKSSON, Kjell [SE/SE]; Jägarliden 3, S-771 42 Ludvika (SE). ASPLUND, Gunnar [SE/SE]; Vasagatan 15, S-771 32 Ludvika (SE). (74) Agents: BJERKÉN, Håkan et al.; Bjerkéns Patentbyrå KB, P.O. Box 1274, S-801 37 Gävle (SE).</p>	<p>(81) Designated States: CA, JP, US, European patent (AT, BE, CH, DE, DK, ES, FI, FR, GB, GR, IE, IT, LU, MC, NL, PT, SE). Published <i>With international search report.</i> <i>In English translation (filed in Swedish).</i> (88) Date of publication of the international search report: 23 December 1998 (23.12.98)</p>	

(54) Title: A PLANT FOR TRANSMITTING ELECTRIC POWER INCLUDING VSC (VOLTAGE SOURCE CONVERTER) AND DC/DC CONVERTER

(57) Abstract

A plant for transmitting electric power comprises at least one VSC-converter (1). It comprises also at least one DC/DC-converter (33, 34) having two current valves connected in series and an inductance connected to a midpoint therebetween. The DC/DC-converter is through said unductance connected to a first of the poles of the direct voltage side of the converter and through a first output terminal connected to one of the current valves to the second of the poles so as to obtain an unbalanced step-up-transformation of the direct voltage between the two poles while obtaining a potential having a higher value on the second output terminal (27) of the DC/DC-converter connected to the second current valve than on said first output terminal (28).



FOR THE PURPOSES OF INFORMATION ONLY

Codes used to identify States party to the PCT on the front pages of pamphlets publishing international applications under the PCT.

AL	Albania	ES	Spain	LS	Lesotho	SI	Slovenia
AM	Armenia	FI	Finland	LT	Lithuania	SK	Slovakia
AT	Austria	FR	France	LU	Luxembourg	SN	Senegal
AU	Australia	GA	Gabon	LV	Latvia	SZ	Swaziland
AZ	Azerbaijan	GB	United Kingdom	MC	Monaco	TD	Chad
BA	Bosnia and Herzegovina	GE	Georgia	MD	Republic of Moldova	TG	Togo
BB	Barbados	GH	Ghana	MG	Madagascar	TJ	Tajikistan
BE	Belgium	GN	Guinea	MK	The former Yugoslav Republic of Macedonia	TM	Turkmenistan
BF	Burkina Faso	GR	Greece	ML	Mali	TR	Turkey
BG	Bulgaria	HU	Hungary	MN	Mongolia	TT	Trinidad and Tobago
BJ	Benin	IE	Ireland	MR	Mauritania	UA	Ukraine
BR	Brazil	IL	Israel	MT	Malta	UG	Uganda
BY	Belarus	IS	Iceland	MW	Malawi	US	United States of America
CA	Canada	IT	Italy	MX	Mexico	UZ	Uzbekistan
CF	Central African Republic	JP	Japan	NE	Niger	VN	Viet Nam
CG	Congo	KE	Kenya	NL	Netherlands	YU	Yugoslavia
CH	Switzerland	KG	Kyrgyzstan	NO	Norway	ZW	Zimbabwe
CI	Côte d'Ivoire	KP	Democratic People's Republic of Korea	NZ	New Zealand		
CM	Cameroon	KR	Republic of Korea	PL	Poland		
CN	China	KZ	Kazakstan	PT	Portugal		
CU	Cuba	LC	Saint Lucia	RO	Romania		
CZ	Czech Republic	LI	Liechtenstein	RU	Russian Federation		
DE	Germany	LK	Sri Lanka	SD	Sudan		
DK	Denmark	LR	Liberia	SE	Sweden		
EE	Estonia			SG	Singapore		

INTERNATIONAL SEARCH REPORT

International application No.
PCT/SE 98/00502

A. CLASSIFICATION OF SUBJECT MATTER		
IPC6: H02J 5/00, H02M 3/155, H02J 3/36 According to International Patent Classification (IPC) or to both national classification and IPC		
B. FIELDS SEARCHED		
Minimum documentation searched (classification system followed by classification symbols)		
IPC6: H02J, H02M		
Documentation searched other than minimum documentation to the extent that such documents are included in the fields searched		
SE,DK,FI,NO classes as above		
Electronic data base consulted during the international search (name of data base and, where practicable, search terms used)		
WPI		
C. DOCUMENTS CONSIDERED TO BE RELEVANT		
Category*	Citation of document, with indication, where appropriate, of the relevant passages	Relevant to claim No.
X	STUDENTLITTERATUR, Volume, 1993, (LUND), KJELD THORBORG, "POWER ELECTRONICS-IN THEORI AND PRACTICE", page 238 - page 240, figure 7.14, 7.15	1,13
Y	--	2-12,14
Y	US 5561597 A1 (R. LIMPAECHER), 1 October 1996 (01.10.96), column 1, line 15 - line 28; column 1, line 39 - line 67; column 2, line 1 - line 3, ; column 6, line 60 - line 65, figures 2-4	2-7,10-12,14
Y	US 3968419 A1 (A. EKSTROM), 6 July 1976 (06.07.76), column 2, line 32 - line 35, figures 1,2	2-12
<input checked="" type="checkbox"/> Further documents are listed in the continuation of Box C. <input checked="" type="checkbox"/> See patent family annex.		
* Special categories of cited documents: "A" document defining the general state of the art which is not considered to be of particular relevance "E" earlier document but published on or after the international filing date "L" document which may throw doubts on priority claim(s) or which is cited to establish the publication date of another citation or other special reason (as specified) "O" document referring to an oral disclosure, use, exhibition or other means "P" document published prior to the international filing date but later than the priority date claimed "I" later document published after the international filing date or priority date and not in conflict with the application but cited to understand the principle or theory underlying the invention "X" document of particular relevance: the claimed invention cannot be considered novel or cannot be considered to involve an inventive step when the document is taken alone "Y" document of particular relevance: the claimed invention cannot be considered to involve an inventive step when the document is combined with one or more other such documents, such combination being obvious to a person skilled in the art "&" document member of the same patent family		
Date of the actual completion of the international search		Date of mailing of the international search report
17 Sept 1998		24-09-1998
Name and mailing address of the ISA/ Swedish Patent Office Box 5055, S-102 42 STOCKHOLM Facsimile No. +46 8 666 02 86		Authorized officer Hans Bagge af Berga Telephone No. +46 8 782 25 00

INTERNATIONAL SEARCH REPORT

International application No.

PCT/SE 98/00502

C (Continuation). DOCUMENTS CONSIDERED TO BE RELEVANT		
Category*	Citation of document, with indication, where appropriate, of the relevant passages	Relevant to claim No.
A	WO 9702639 A1 (ASEA BROWN BOVERI AB), 23 January 1997 (23.01.97), page 8, line 38 - page 9, line 6; page 10, line 20 - line 25, figures 1-3 --	1-14
A	US 5535113 A1 (H. KONISHI), 9 July 1996 (09.07.96), abstract --	1-14
A	US 4259713 A1 (G. FLISBERG ET AL.), 31 March 1981 (31.03.81), figure 1, abstract --	1-14
A	US 4274043 A1 (R. HEITZ), 16 June 1981 (16.06.81), figure 1, abstract --	1-14
L	SE 504522 C2 (ASEA BROWN BOVERI AB), 24 February 1997 (24.02.97), see page 8, paragraph 5(line 26 -29),reveals incorrect wording in WO,A1, 97/02639, page 10, line 20-25 -- -----	

INTERNATIONAL SEARCH REPORT

Information on patent family members

International application No.

27/07/98

PCT/SE 98/00502

Patent document cited in search report	Publication date	Patent family member(s)	Publication date
US 5561597 A1	01/10/96	US 5764501 A	09/06/98
		US 5357419 A	18/10/94
		AU 676156 B	06/03/97
		AU 3945293 A	08/11/93
		BG 99098 A	30/11/95
		CN 1079083 A	01/12/93
		CZ 9402389 A	13/09/95
		EP 0635172 A	25/01/95
		HU 68539 A	28/06/95
		HU 9402820 D	00/00/00
		JP 7506715 T	20/07/95
		PL 171511 B	30/05/97
		US 5270913 A	14/12/93
		WO 9320610 A	14/10/93
		ZA 9302316 A	18/01/94
US 3968419 A1	06/07/76	CA 1020226 A	01/11/77
		CH 585478 A	28/02/77
		DE 2509045 A,B,C	18/09/75
		FR 2264414 A	10/10/75
		GB 1493495 A	30/11/77
		JP 50127139 A	06/10/75
		SE 380687 B,C	10/11/75
WO 9702639 A1	23/01/97	CN 1158189 A	27/08/97
		EP 0784882 A	23/07/97
		JP 10506260 T	16/06/98
		SE 504522 C	24/02/97
		SE 9502450 A	07/01/97
		US 5644482 A	01/07/97
US 5535113 A1	09/07/96	EP 0554804 A	11/08/93
		JP 5211779 A	20/08/93
US 4259713 A1	31/03/81	BR 7900554 A	11/09/79
		CA 1117183 A	26/01/82
		CH 642493 A	13/04/84
		DE 2905272 A,C	30/08/79
		FR 2417875 A,B	14/09/79
		GB 2016825 A,B	26/09/79
		JP 1489405 C	23/03/89
		JP 54122839 A	22/09/79
		SE 419014 B,C	06/07/81
		SE 7801966 A	22/08/79
		US 4274043 A1	16/06/81
AU 5402079 A	26/06/80		
CA 1129951 A	17/08/82		
EP 0013005 A,B	09/07/80		
JP 55160943 A	15/12/80		
JP 60121929 A	29/06/85		

