



US00D679191S

(12) **United States Design Patent**
Enciso et al.

(10) **Patent No.:** **US D679,191 S**

(45) **Date of Patent:** **** Apr. 2, 2013**

(54) **BOTTLE**

(75) Inventors: **Neil Enciso**, Palatine, IL (US); **Nicole Green**, Barrington, IL (US); **Brent Lindberg**, Saint Charles, IL (US); **Larry M. Taylor**, Landisville, PA (US); **Sheldon E. Yourist**, York, PA (US); **Paul Gahlman**, Muskego, WI (US); **Tim Mazurkiewicz**, Milwaukee, WI (US); **Matt Meisner**, Crystal Lake, IL (US)

(73) Assignee: **Tropicana Products, Inc.**, Bradenton, FL (US)

(**) Term: **14 Years**

(21) Appl. No.: **29/406,273**

(22) Filed: **Nov. 11, 2011**

(51) **LOC (9) Cl.** **09-01**

(52) **U.S. Cl.** **D9/528**

(58) **Field of Classification Search** D9/516,
D9/523, 528, 530, 531, 537, 538, 540, 541,
D9/543, 550, 551, 553, 563, 564, 566, 572,
D9/575; 215/381-385; 220/660, 669

See application file for complete search history.

(56) **References Cited**

U.S. PATENT DOCUMENTS

D83,641 S	5/1930	Panopulo
D192,268 S	2/1962	Sterges
D220,865 S	6/1971	Weckman
D220,866 S	6/1971	Weckman
D223,995 S	6/1972	Beaver
D225,395 S	12/1972	Jacob
D229,890 S	1/1974	Pardo
D279,453 S	7/1985	Beechuk et al.
D289,977 S	5/1987	Crawford
D300,208 S	3/1989	Vazquez et al.
D303,929 S	10/1989	Ross
D304,159 S	10/1989	Kleinert
D304,423 S	11/1989	Beaver
D304,550 S	11/1989	Demarest

D304,906 S	12/1989	Panella
D304,998 S	12/1989	Pardo et al.
D311,135 S	10/1990	Maes
D312,571 S	12/1990	Winger
D314,140 S	1/1991	Kornick et al.
D323,981 S	2/1992	Satterfield
D327,010 S	6/1992	Spiegel
D329,815 S	9/1992	Beaver et al.
D346,555 S	5/1994	Binder
D352,244 S	11/1994	Cramer
D358,992 S	6/1995	Beaver
D378,664 S	4/1997	Feen
D379,590 S	6/1997	Beaver
D380,686 S	7/1997	Allen
D391,856 S	3/1998	Lynd
D398,853 S	9/1998	Phillips
D399,138 S	10/1998	Beechuk et al.

(Continued)

FOREIGN PATENT DOCUMENTS

CA	106178	11/2005
CA	106179	11/2005

(Continued)

Primary Examiner — Keli L Hill

(74) *Attorney, Agent, or Firm* — Banner & Witcoff, Ltd.

(57) **CLAIM**

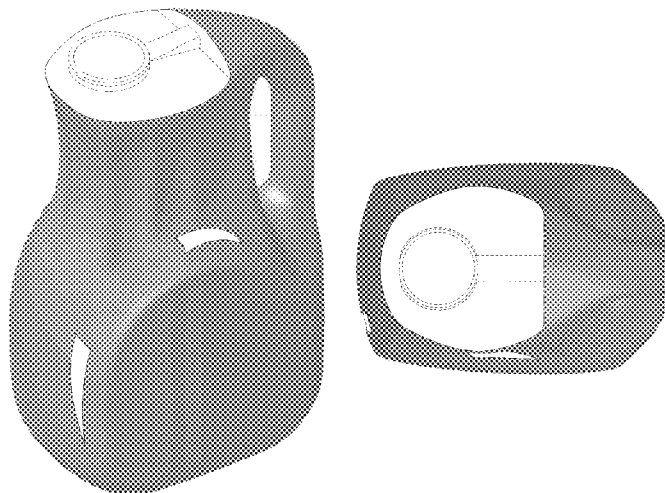
The ornamental design for a bottle, as shown and described.

DESCRIPTION

FIG. 1 is a top, front, right perspective view of a bottle showing our new design; FIG. 2 is a front view thereof; FIG. 3 is a right side view thereof; FIG. 4 is a rear view thereof; FIG. 5 is a left side view thereof; and, FIG. 6 is a top view thereof.

The uneven-length broken lines represent unclaimed boundaries of the claimed design. The even-length broken lines showing the remainder of the bottle are for environmental purposes only and form no part of the claimed design.

1 Claim, 6 Drawing Sheets



US D679,191 S

U.S. PATENT DOCUMENTS

D400,105 S	10/1998	Beechuk et al.	
D413,805 S	9/1999	Phillips	
D417,622 S	12/1999	Johnson et al.	
D424,945 S	5/2000	Guislain	
D429,465 S *	8/2000	Weeden	D9/528
D429,643 S	8/2000	Case	
D436,790 S	1/2001	Saltet	
D447,696 S	9/2001	Weber	
D449,539 S	10/2001	Lakatosh et al.	
D454,072 S	3/2002	Harrity et al.	
D468,208 S	1/2003	Yan et al.	
D474,113 S *	5/2003	Hansen	D9/531
D477,228 S	7/2003	Hyman et al.	
D481,951 S	11/2003	Scott, III	
D482,972 S	12/2003	Young et al.	
D489,218 S	5/2004	Fuji et al.	
D495,186 S	8/2004	Poupel et al.	
D498,142 S	11/2004	Hong et al.	
D502,106 S	2/2005	Roseberg	
D503,624 S	4/2005	Charriez	
D506,674 S	6/2005	Sumiyoshi et al.	
D507,972 S	8/2005	Kitamura et al.	
D508,408 S	8/2005	Roseberg	
D523,344 S	6/2006	Toth et al.	
D524,660 S	7/2006	Floyd et al.	
D529,809 S	10/2006	Yourist et al.	
D531,510 S	11/2006	Kazuo et al.	
D531,511 S	11/2006	Wolff	
D531,905 S	11/2006	Day	
D532,308 S	11/2006	Davies et al.	
D533,074 S	12/2006	Mongeon et al.	
D537,339 S	2/2007	Blasko et al.	
D543,851 S	6/2007	Franic et al.	
D545,202 S	6/2007	Bates et al.	
D547,997 S	8/2007	Parcels	
D550,089 S	9/2007	Omdoll	
D550,559 S	9/2007	Meeker et al.	
D551,554 S	9/2007	Davis et al.	
D551,964 S	10/2007	Blasko et al.	
D551,965 S	10/2007	Blasko et al.	
D557,610 S	12/2007	Conway	
D559,689 S	1/2008	Harper et al.	
D562,141 S	2/2008	Bates et al.	
D563,792 S	3/2008	Steiger et al.	

D568,750 S	5/2008	Medema	
D569,731 S	5/2008	Yan et al.	
D578,006 S	10/2008	Houck et al.	
D582,776 S	12/2008	Cardinal et al.	
D583,612 S	12/2008	Wu et al.	
D585,291 S	1/2009	Colatrella et al.	
D586,215 S	2/2009	Gonzalez et al.	
D586,606 S	2/2009	Ma et al.	
D589,349 S	3/2009	Prater et al.	
D595,137 S	6/2009	Bates et al.	
D595,586 S	7/2009	Kissinging et al.	
D596,946 S	7/2009	Harper et al.	
D607,730 S	1/2010	Lepoitevin	
D609,577 S	2/2010	Mayers et al.	
D609,578 S	2/2010	Mayers et al.	
D610,909 S	3/2010	Caldwell	
D611,826 S	3/2010	Kuroki et al.	
D613,608 S	4/2010	Floyd et al.	
D614,037 S	4/2010	Backs	
D617,199 S	6/2010	Watson et al.	
D620,365 S	7/2010	Desjardins	
D621,713 S	8/2010	Wilkum et al.	
D621,714 S	8/2010	Watson et al.	
D623,065 S	9/2010	Varon et al.	
D624,420 S	9/2010	Manderfield, Jr. et al.	
D628,075 S	11/2010	Arnell et al.	
D628,076 S	11/2010	Arnell et al.	
D641,632 S	7/2011	Boiros et al.	
D655,173 S *	3/2012	Enciso et al.	D9/528
D655,174 S *	3/2012	Enciso et al.	D9/528
D657,681 S *	4/2012	Manderfield et al.	D9/528
D659,001 S *	5/2012	Enciso et al.	D9/528
D659,542 S *	5/2012	Enciso et al.	D9/528
D666,916 S *	9/2012	Enciso et al.	D9/541
D667,731 S *	9/2012	Enciso et al.	D9/541
2004/0104195 A1	6/2004	Yourist et al.	
2006/0175284 A1	8/2006	Noll et al.	

FOREIGN PATENT DOCUMENTS

CA	106180	11/2005
CA	106181	11/2005
CA	117310	8/2007
CA	117311	8/2007

* cited by examiner

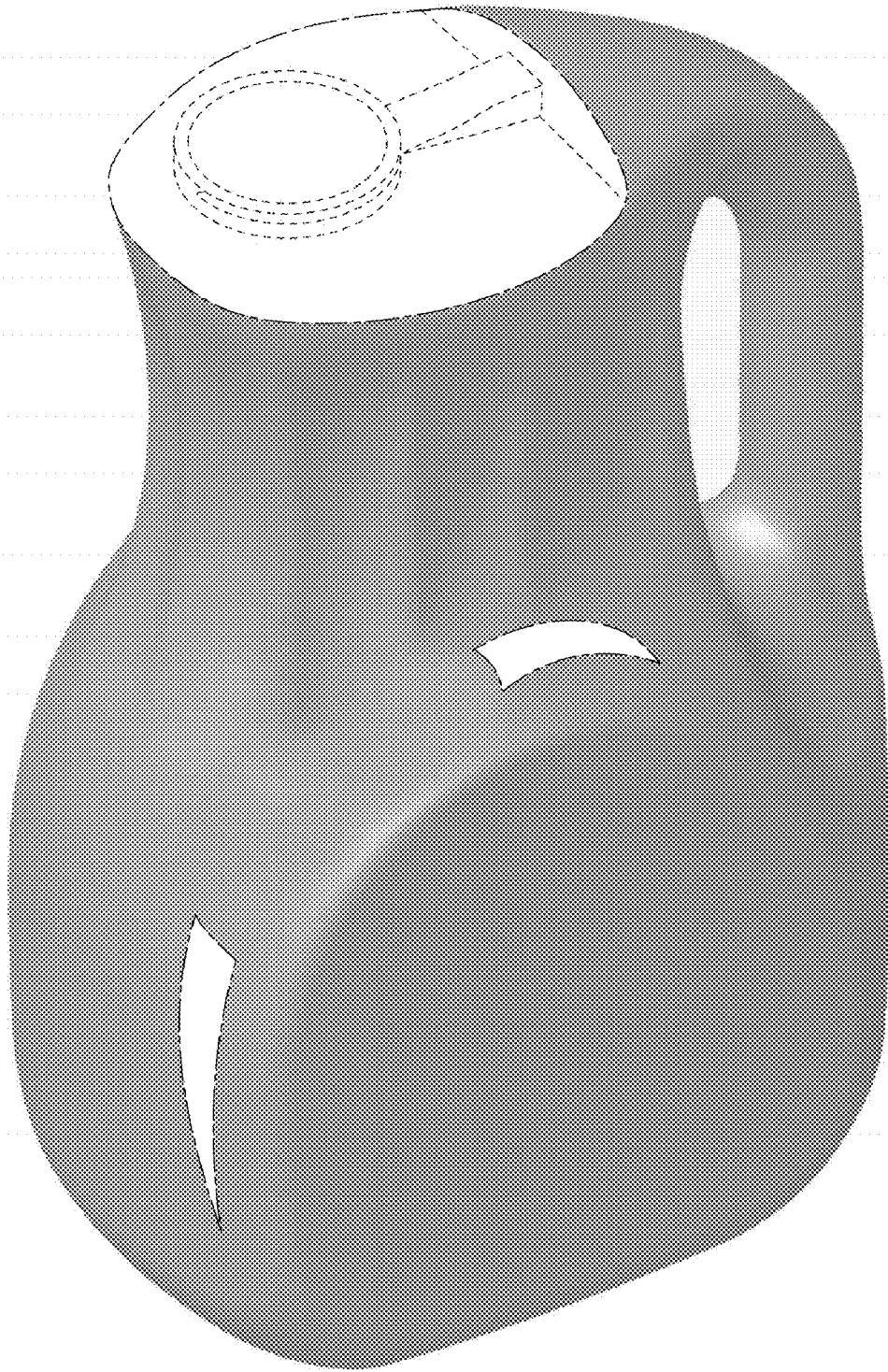


FIG. 1



FIG. 2

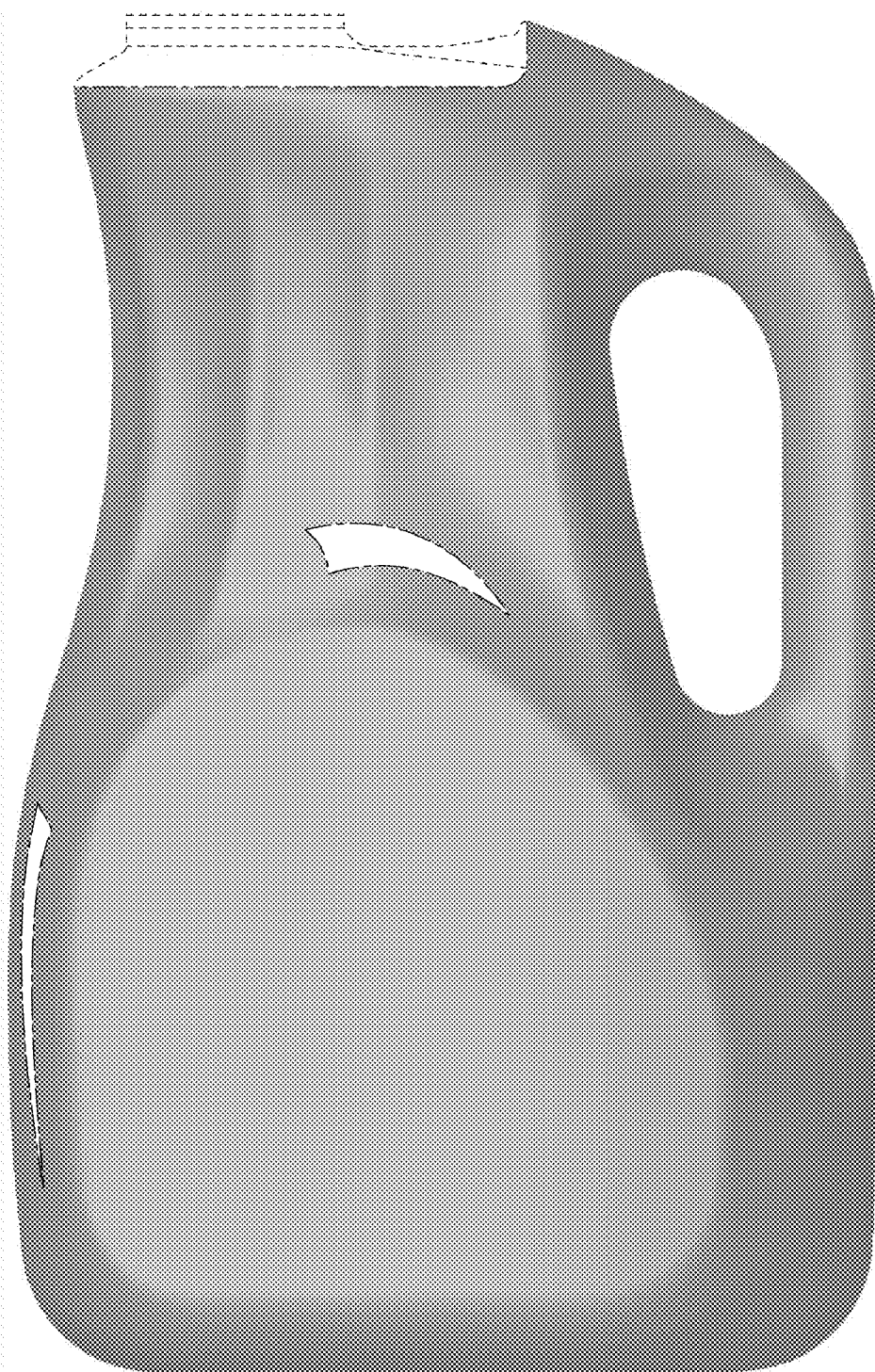


FIG. 3



FIG. 4



FIG. 5

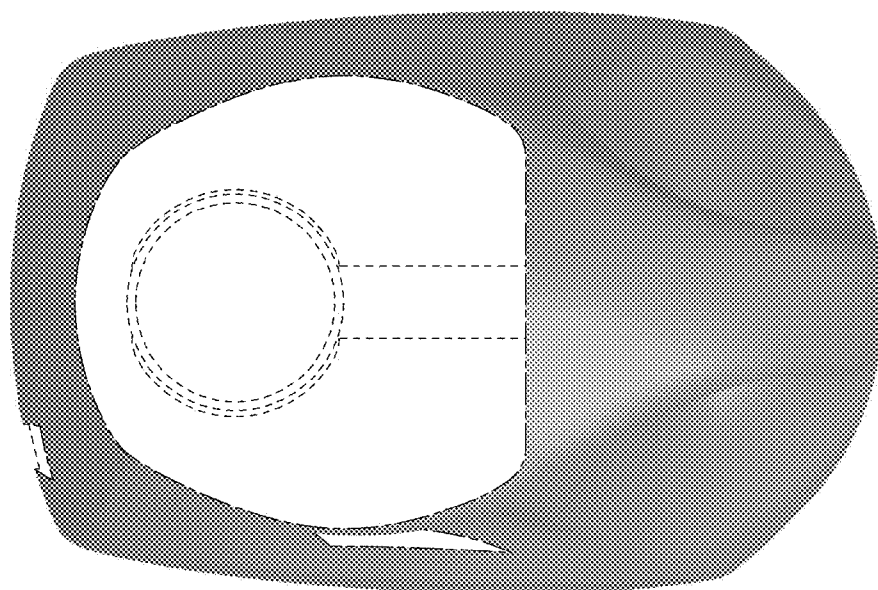


FIG. 6