



(22) Date de dépôt/Filing Date: 2010/02/26

(41) Mise à la disp. pub./Open to Public Insp.: 2011/07/29

(30) Priorité/Priority: 2010/01/29 (US12/696,955)

(51) Cl.Int./Int.Cl. *A01K 29/00* (2006.01)

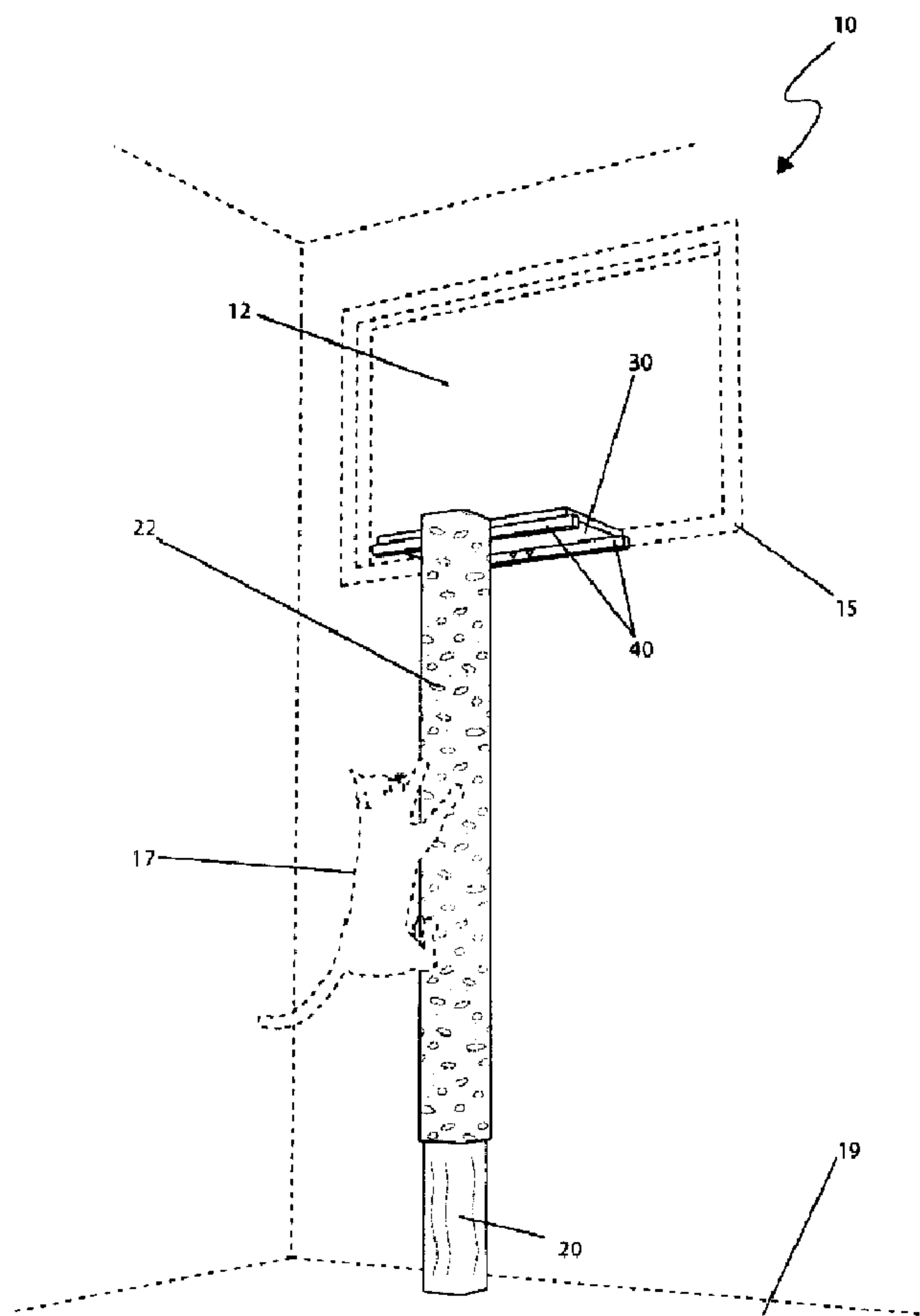
(71) Demandeur/Applicant:
KALESNIKOFF, BILL J., CA

(72) Inventeur/Inventor:
KALESNIKOFF, BILL J., CA

(74) Agent: RICHES, MCKENZIE & HERBERT LLP

(54) Titre : PERCHOIR SERVANT DE DISPOSITIF D'ENTREE OU DE SORTIE POUR ANIMAUX

(54) Title: PERCH AND ENTRY DEVICE FOR ANIMALS



(57) Abrégé/Abstract:

A perch and entry device which allows cats or other domestic animals to enter into and exit from inside a dwelling through an elevated window also serving as a perch is herein disclosed. The device is comprised of a square platform secured along one (1)

(57) **Abrégé(suite)/Abstract(continued):**

side to an exterior windowsill area and along an opposing side to a post that extends downward to the ground surface outside and below a window. The post is covered with carpeting to allow the cat to ascend and descend in a safe and secure manner.

ABSTRACT

A perch and entry device which allows cats or other domestic animals to enter into and exit from inside a dwelling through an elevated window also serving as a perch is herein disclosed. The device is comprised of a square platform secured along one (1) side to an exterior windowsill area and along an opposing side to a post that extends downward to the ground surface outside and below a window. The post is covered with carpeting to allow the cat to ascend and descend in a safe and secure manner.

PERCH AND ENTRY DEVICE FOR ANIMALS

5 RELATED APPLICATIONS

[0001] The present invention was first described in a notarized Official Record of Invention on January 16, 2009, that is on file at the offices of Montgomery Patent and Design, LLC, the entire disclosures of which are incorporated herein by reference.

10

FIELD OF THE INVENTION

[0002] The present invention relates generally to animal perches, and more particularly, to perch and entry device which allows cats or other domestic animals to enter
15 into and exit from inside a dwelling through an elevated window.

BACKGROUND OF THE INVENTION

[0003] Domestic animals require physical needs, such as food, water and
20 shelter, to be satisfied and also require emotional necessities, such as companionship, love, and entertainment, to be fulfilled. In particular, it is well known that cats need to have some object to scratch and love to climb to various locations where they can sit and watch daily life. For outdoor cats, an elevated location also serves as a protective hideaway where they can escape from chasing or attacking animals.

25

[0004] Various different types of scratching poles and climbing devices exist. Some of these devices also provide elevated horizontal supports for the cat to perch upon. Still other devices provide hollow cores for the cat to climb inside of or offer modular functions for particular design, set up, or size. Typically these devices are free standing,
30 indoor units which provide a rigid base material covered with carpet, cork, or the like which allow the cat to scratch and climb as desired. However, these devices suffer from various

disadvantages. Often times these free standing units can be easily tipped over which can scare or injure the cat. These devices also generally take up a large amount of floor space, especially in small apartments where cats are commonly owned. Attempts to overcome these disadvantages provide extendable post structures which attach between a floor and a ceiling structure or modular wall mounted systems. While these devices provide some benefit, they can also be dangerous if dislodged or can cause damage to the attached structure if secured with mechanical hardware. Other disadvantages exist when providing an indoor object for a cat to scratch, which routinely leads to the cat scratching and damaging other, undesirable articles such as furniture.

10

[0005] Examples of these known devices can be seen by reference in several U.S. Patents. U.S. Patent No. 3,479,991, issued in the name of Lichtenberger, describes an animal climbing structure. U.S. Patent No. 3,595,209, issued in the name of Parker, describes a household play and exercise post assembly for cats. U.S. Patent No. 4,253,423, issued in the name of Kaplan, describes a cat scratching and climbing post. U.S. Patent No. 5,809,933, issued in the name of Conwell, II, describes an animal climbing and perch system. U.S. Patent No. 5,875,735, issued in the name of Bradley et al., describes a modular animal perch attached to a wall.

20

[0006] Other examples of devices only providing elevated perches for pets can be seen by example in U.S. Patent No. 3,173,398, issued in the name of Raymond, which describes an elevated lounge for dogs and cats which is placed adjacent to a window through which the pet can easily see outdoors. U.S. Patent No. 5,337,697, issued in the name of Trimarchi et al., describes an enclosed feline perch which is placed in a window and extends outward from a dwelling having a open rear to allow a cat to enter and exit an open window.

25

[0007] Additionally, many cat owners allow their cats to freely go in and out of the house. This requires the owner to constantly open and close the door or traverse flights of stairs if residing in a multistory dwelling. This is not always an easy task if multiple doors must be opened or grade access doors are located at a distant area of the home. Cat doors

30

provide an alternative, however these doors are unsecure allowing undesired creatures to enter and exit ones home.

[0008] The disclosures of these examples are incorporated herein by
5 reference. While these devices may fulfill their respective, particular objectives, each suffers from one (1) or more the aforementioned disadvantages or deficiencies. Accordingly, there exists a need for a means by which these various cat needs along with the needs of the owner can be addressed simultaneously in a unique but simple and effective manner. The development of the present invention substantially departs from the conventional solutions
10 and in doing so fulfills this need.

SUMMARY OF THE INVENTION

[0009] In view of the foregoing art, the inventor recognized the
15 aforementioned inherent problems and observed that there is a need for a access device which allows cats to enter and exit a home through an elevated window opening that reduced the reliance on a cat owner to let the cats in and out of a home and thus, the object of the present invention is to solve the aforementioned disadvantages and provide for this need.

20 [0010] Another object of the present invention is to provide a structure for cats to quickly climb with an elevated perch near an exterior sill of a window that ensures the protection and provides entertainment for cats.

[0011] To achieve these objectives, an aspect of the present invention is to
25 provide a perch and entry device for pets comprising an elongated post made of a material which is customizable to a specified length which projects upwardly from a ground surface having a lower end affixed to the ground surface, an upper end positioned adjacent to an elevated window, and vertical sides.

30 [0012] Another aspect of the present invention is to provide a substantially flat and rigid platform affixed to the post for a cat to enter and exit the elevated window when in

an open state and for the cat to perch upon. The platform and the upper end of the post provide a substantially flat and level top surface when attached.

[0013] Another aspect of the present invention is to provide a rearward joining
5 member comprising a generally rectangular member having a length larger than a length of the platform which is attached to a rear underside end of the platform parallel and adjacent to the sill portion of the window for fixing the platform to the sill portion of the elevated window.

10 [0014] Another aspect of the present invention is to provide a forward joining member comprising a generally rectangular member having a length larger than a length of the platform which is attached to a rear underside end of the platform parallel to the rearward joining member and adjacent to the post for fixing the platform to the post.

15 [0015] Yet still another aspect of the present invention is to provide a fastening means for attaching the platform to the post and to the sill portion of the elevated window.

[0016] Yet still another aspect of the present invention is to provide an
20 exterior climbing surface attached around the vertical side walls of the post and on a top surface of the platform for the cat to climb. The climbing surface is attached using a plurality of fasteners.

[0017] Furthermore, the described features and advantages of the invention
25 may be combined in various manners and embodiments as one skilled in the relevant art will recognize. The invention can be practiced without one (1) or more of the features and advantages described in a particular embodiment.

[0018] Further objects and advantages of the present invention will become
30 apparent from a consideration of the drawings and ensuing description.

BRIEF DESCRIPTION OF THE DRAWINGS

[0019] The advantages and features of the present invention will become better understood with reference to the following more detailed description and claims taken
5 in conjunction with the accompanying drawings, in which like elements are identified with like symbols, and in which:

[0020] FIG. 1 is an environmental view of a perch and entry device for pets
10 10, according to a preferred embodiment of the present invention;

[0021] FIG. 2 is a side view of the a perch and entry device for pets 10,
according to a preferred embodiment of the present invention;

[0022] FIG. 3 is a perspective view of a post 20, according to a preferred
15 embodiment of the present invention;

[0023] FIG. 4 is a perspective view of the post 20 depicting attachment of
carpet 22, according to a preferred embodiment of the present invention;

[0024] FIG. 5 is a perspective view of a platform 30, according to a preferred
20 embodiment of the present invention;

[0025] FIG. 6 is a perspective view of a joining member 40, according to a
preferred embodiment of the present invention;

25

[0026] FIG. 7a is a bottom perspective view of an attachment means for the
platform 30 to a pair of joining members 40, according to a preferred embodiment of the
present invention;

[0027] FIG. 7b is a side view of FIG. 7a, according to a preferred embodiment
30 of the present invention;

[0028] FIG. 8 is a top view of the a perch and entry device for pets 10, according to a preferred embodiment of the present invention; and,

5 [0029] FIG. 9 is a side view of the perch and entry device for pets 10 depicting an alternate attachment means, according to a preferred embodiment of the present invention.

[0030] DESCRIPTIVE KEY

10

[0031]	10	perch and entry device for pets
	12	window
	15	window sill
	17	cat
15	19	floor
	20	post
	22	carpet
	24	carpet fastener
	30	platform
20	40	joining member
	42	joining member fastener
	50	sill fastener
	55	post fastener

25

DETAILED DESCRIPTION OF THE PREFERRED EMBODIMENT

[0032] The best mode for carrying out the invention is presented in terms of its preferred embodiment, herein depicted within FIGS. 1 through 8 and alternately within FIG. 9. However, the invention is not limited to the described embodiment and a person skilled in the art will appreciate that many other embodiments of the invention are possible without deviating from the basic concept of the invention, and that any such work around will also fall under scope of this invention. It is envisioned that other styles and configurations of the present invention can be easily incorporated into the teachings of the present invention, and only one particular configuration shall be shown and described for purposes of clarity and disclosure and not by way of limitation of scope.

30

35

[0033] The terms “a” and “an” herein do not denote a limitation of quantity, but rather denote the presence of at least one of the referenced items.

5 [0034] The present invention describes a perch and entry device for pets (herein described as the “device”) 10, which enables cats 17 or other domesticated animal the ability to enter and exit the home through an elevated window 12. The device 10 comprises a post 20, a platform 30, and a pair of joining member 40. Said device 10 also provides an area upon which the cat 17 or other animal may sit or rest to observe its surroundings, as well as
10 provide a location to get away from other animals that may be chasing or attacking it. Said device 10 is preferably fabricated from pressure treated lumber in various colors or wood stains, yet other materials may be utilized such as, but not limited to: plastic, metal, or the like without limiting the functions of said device 10.

15 [0035] Referring now to FIG. 1, an environmental view of the device 10 and FIG. 2, a side view of the device 10, according to the preferred embodiment of the present invention, are disclosed. The device 10 is positioned at the exterior portion of a house, apartment, townhome, or the like therebelow an elevated window 12 as abovementioned. Said device 10 is also attached to a lower portion of a conventional window sill 15 which is
20 positioned adjacent thereto the window 12, thereby fixing a top portion of said device 10 to a secure structure. A cat 17 or other animal climbs upwardly thereon a carpet 22 covered post 20 to an upper platform portion to sit, enter the house, or the like.

[0036] Referring now to FIG. 3, a perspective view of the post 20 and FIG. 4, a perspective view of the post 20 depicting attachment of carpet 22, according to the
25 preferred embodiment of the present invention, are disclosed. The device 10 comprises a rectangular wooden post 20, thereby providing a secure vertical member for a cat 17 or other animal to ascend upwardly or descend downwardly thereon. Said post 20 is preferably a pretreated landscape tie comprising rounded corners and dimensions measuring up to eight
30 (8) feet in length. Said post 20 would be cut to a desired length, thereby providing a customizable member able to be installed therebetween the window sill 15 and floor 19. Said

post 20 is wrapped with carpet 22, thereby allowing a cat 17 to grasp said carpet 22 with their claws and ascend or descend from the post 20. The carpet 22 is secured to the post 20 with a plurality of carpet fasteners 24 which are comprised of nails, screws, or the like and measure approximately one (1) inch to one-and-a-quarter (1-¼) inches in length and are positioned at
5 appropriate securing locations. The carpet 22 is preferably conventional indoor/outdoor carpet available in a variety of colors and patterns which are utilized in homes, yet other durable fabrics may be utilized without limiting the functions of the device 10. The post 20 further provides an adequate scratching surface for the cat 17.

10 [0037] Referring now to FIG. 5, a perspective view of a platform 30, according to the preferred embodiment of the present invention, is disclosed. The device 10 comprises a rectangular pretreated wooden platform 30, thereby providing a position for the cat 17 to rest thereupon. The platform 30 measured approximately eighteen (18) inches in length by twelve (12) inches in width by three-eighths ($\frac{3}{8}$) inches in thickness in order to
15 provide the cat 17 with a comfortable and large enough place to rest and is preferably plywood, yet other materials may be incorporated without limiting the scope of the device 10. The platform 30 is attached thereto a top portion of the post 20 and a lower portion of a window sill 15. A bottom portion of the device 10 is attached to a pair of joining members 40 as discussed herein.

20

[0038] Referring now to FIG. 6, a perspective view of a single joining member 40 according to the preferred embodiment of the present invention, is disclosed. The device 10 comprises a pair of rectangular wooden joining members 40, a forward joining member provides a means of attaching the platform 30 thereto the post 20 and a rearward
25 joining member provides a means of attaching said platform thereto the window sill 15. Each joining member 40 measures approximately twenty (20) inches in length by three-quarters ($\frac{3}{4}$) of an inch in width by one-and-a-half (1-½) inches in height in order to enable it to accommodate a variety of window 12 widths. Said joining members 40 are preferably fabricated from a pretreated wood, yet other materials may be provided without limiting the
30 functions of the device 10.

[0039] Referring now to FIG. 7a, a perspective view of an attachment means for the platform 30 to a pair of joining members 40 and FIG. 7b, a side view of the platform 30 attached to the pair of joining members 40, according to the preferred embodiment of the present invention, are disclosed. Each joining member 40 is positioned parallel to each other
5 thereon an underside of the platform 30 at a forward and rearward position. Each end of each joining member 40 is also offset from the platform 30 at least one (1) inch in length. Each joining member 40 is fastened to the platform 30 therewith a plurality of joining member fasteners 42. Said joining member fasteners 42 are preferably screws measuring approximately one (1) inch in length, yet other fastening means or dimensions may be
10 utilized such as, but not limited to: nails, adhesive, or the like.

[0040] Referring now to FIG. 8, a top view of the device 10, according to the preferred embodiment of the present invention, is disclosed. With each joining member 40 attached to the underside of the platform 30 with joining member fasteners 42. A top portion
15 of the post 20 is secured perpendicularly to a joining member 40 with post fasteners 55. Attached, the post 20 and the top surface of the platform 30 form a unitary level top surface (as shown in FIG. 2). The post fasteners 55 are preferably screws, yet other fastening means may be incorporated without limiting the scope of the device 10. The post 20 is positioned thereon an outer edge of the platform 30 and joining member 40 at an intermediate location,
20 thereby enabling a pair of post fasteners 55 to be drilled through the joining member 40 thereinto the post 20.

[0041] The opposite joining member 40 is utilized to fasten the device 10 thereto the window sill 15 with a pair of sill fasteners 50. The sill fasteners 50 are preferably
25 one-and-three-fourths (1- $\frac{3}{4}$) inch screws, yet other fastening means may be incorporated without limiting the scope of the device 10. The sill fasteners 50 are drilled through the joining member 40 thereinto a lower window sill portion 15, thereby positioning the device 10 subjacent to the window 12.

30 [0042] Referring now to FIG. 9, a side view of the device 10 depicting an alternate attachment means, according to the preferred embodiment of the present invention,

is disclosed. Alternately, the device 10 may be attached below the window 12, thereby enabling attachment to the structure if the window sill 15 is fabricated from a material difficult to attach thereto; such as, but not limited to: plastic, metal, or the like.

5 [0043] It is envisioned that other styles and configurations of the present invention can be easily incorporated into the teachings of the present invention, and only one particular configuration shall be shown and described for purposes of clarity and disclosure and not by way of limitation of scope.

10 [0044] The preferred embodiment of the present invention can be utilized by the common user in a simple and effortless manner with little or no training. After initial purchase or acquisition of the device 10, it would be installed as indicated in FIG. 1 through 8 and alternately therein FIG. 9.

15 [0045] The method of utilizing the device 10 may be achieved by performing the following steps: acquiring said device 10; cutting the post 20 to an appropriate length to be positioned slightly below the window 12 and resting thereon the floor 19; wrapping said post 20 with carpet 22 and fastening said carpet 22 with a plurality of carpet fasteners 24; attaching each joining member 40 to the underside of the platform 30 with a plurality of
20 joining member fasteners 42; attaching said post 20 to a forward joining member 40 with post fasteners 55; attaching a rearward joining member 40 to the window sill 15 with sill fasteners 50; allowing a cat 17 to climb upwardly thereon said post 20 to said platform 30 for entrance through an open window 12 or for sitting thereupon said platform 30; and, satisfying the needs of a cat 17 via said device 10.

25

 [0046] The method of utilizing the device 10 with an alternate attachment means may be achieved by performing the following steps: acquiring said device 10; cutting the post 20 to an appropriate length to be positioned slightly below the window 12 and resting thereon the floor 19; wrapping said post 20 with carpet 22 and fastening said carpet 22
30 therewith a plurality of carpet fasteners 24; attaching each joining member 40 to the underside of said platform 20 with a plurality of joining member fasteners 42; attaching said

post 20 a forward joining member 40 with post fasteners 55; attaching a rearward joining member 40 below the window sill 15 with sill fasteners 50; allowing a cat 17 to climb upwardly thereon said post 20 to said platform 30 for entrance through an open window 12 or for sitting thereupon said platform 30; and, satisfying the needs of a cat 17 via said device 10.

5

[0047] The foregoing descriptions of specific embodiments of the present invention have been presented for purposes of illustration and description. They are not intended to be exhaustive or to limit the invention to the precise forms disclosed, and obviously many modifications and variations are possible in light of the above teaching. The
10 embodiments were chosen and described in order to best explain the principles of the invention and its practical application, to thereby enable others skilled in the art to best utilize the invention and various embodiments with various modifications as are suited to the particular use contemplated.

CLAIMS

What is claimed is:

1. A perch and entry device for animals comprising:
 - an elongated vertical post projecting upwardly from a ground surface for said animal to climb;
 - a substantially flat and rigid platform affixed thereto said post for said animal to enter and exit a window when in an open state and for said animal to perch thereupon;
 - a forward joining member affixed thereto an underside of said platform for fixing said platform thereto said post;
 - a rearward joining member affixed thereto a rear underside end of said platform for fixing said platform thereto a sill portion of a window; and,
 - a fastening means for attaching said platform thereto said post and thereto said sill portion of a window.
2. The device of claim 1, wherein said post further comprises a lower end, an upper end, vertical sides, and an exterior climbing surface.
3. The device of claim 2, wherein said lower end is affixed thereto said ground surface.
4. The device of claim 3, wherein said post further comprises a material customizable to a specified length.
5. The device of claim 4, wherein said climbing surface further comprises an attachable covering comprising an upper pile layer attached thereto a backing.
6. The device of claim 5, wherein said climbing surface is attached therearound said post using a plurality of fasteners.

7. The device of claim 6, wherein said upper pile layer further comprises a plurality of fabric loops twisted into tufts having various colors and patterns.

8. The device of claim 7, wherein said post further comprises a substantially rectangular cross section.

9. The device of claim 7, wherein said post further comprises a substantially circular cross section.

10. The device of claim 1, wherein said platform further comprises an exterior climbing surface.

11. The device of claim 10, wherein said climbing surface is attached thereto a top surface of said platform using a plurality of carpet fasteners.

12. The device of claim 11, wherein said climbing surface further comprises an attachable covering comprising an upper pile layer attached thereto a backing.

13. The device of claim 12, wherein said upper pile layer further comprises a plurality of fabric loops twisted into tufts having various colors and patterns.

14. The device of claim 1, wherein said rearward joining member further comprises a generally rectangular member having a length larger than a length of said platform attached thereto a rear underside end of said platform parallel thereto said sill portion of a window.

15. The device of claim 14, wherein said forward joining member further comprises a generally rectangular member having a length larger than a length of said platform attached thereto a rear underside end of said platform parallel thereto said rearward joining member.

16. The device of claim 2, wherein said platform and said upper end of said post further comprise substantially flat and level top surfaces when attached.

17. A perch and entry device for animals comprising:
 an elongated vertical post comprising a material which is customizable to a specified length projecting upwardly from a ground surface further comprising:

a lower end affixed thereto said ground surface;

an upper end positioned adjacent thereto an elevated window; and,

vertical sides;

a substantially flat and rigid platform affixed thereto said post for said animal to enter and exit said elevated window when in an open state and for said animal to perch thereupon;

a rearward joining member comprising a generally rectangular member having a length larger than a length of said platform attached thereto a rear underside end of said platform parallel thereto and adjacent thereto said sill portion of said window for fixing said platform thereto a sill portion of said elevated window;

a forward joining member comprising a generally rectangular member having a length larger than a length of said platform attached thereto a rear underside end of said platform parallel thereto said rearward joining member and adjacent thereto said post for fixing said platform thereto said post;

a fastening means for attaching said platform thereto said post and thereto said sill portion of said elevated window; and,

an exterior climbing surface attached therearound said vertical side walls of said post and thereon a top surface of said platform for said animal to climb;

wherein said climbing surface is attached using a plurality of fasteners; and,

wherein said platform and said upper end of said post further comprise substantially flat and level top surfaces when attached.

18. The device of claim 17, wherein said climbing surface further comprises an attachable covering comprising an upper pile layer comprising a plurality of fabric loops twisted into tufts having various colors and patterns attached thereto a backing.

19. A perch and entry device for animals comprising:
at least one elongated post having a customizable length attached thereto an exterior ground surface and projecting upwardly adjacent thereto an elevated window; and,
at least one platform attached therebetween an upper end of said post and a sill portion of said elevated window for said animal to enter and exit said elevated window when in an open state and for said animal to perch thereupon;
wherein an exterior surface of said post and a top surface of said platform further comprise a climbing surface for said animal to climb thereupon.

20. The device of claim 19, wherein said device further comprises at least one platform attached therebetween an intermediate portion of said post and a vertical wall of a dwelling for said animal to perch thereupon.

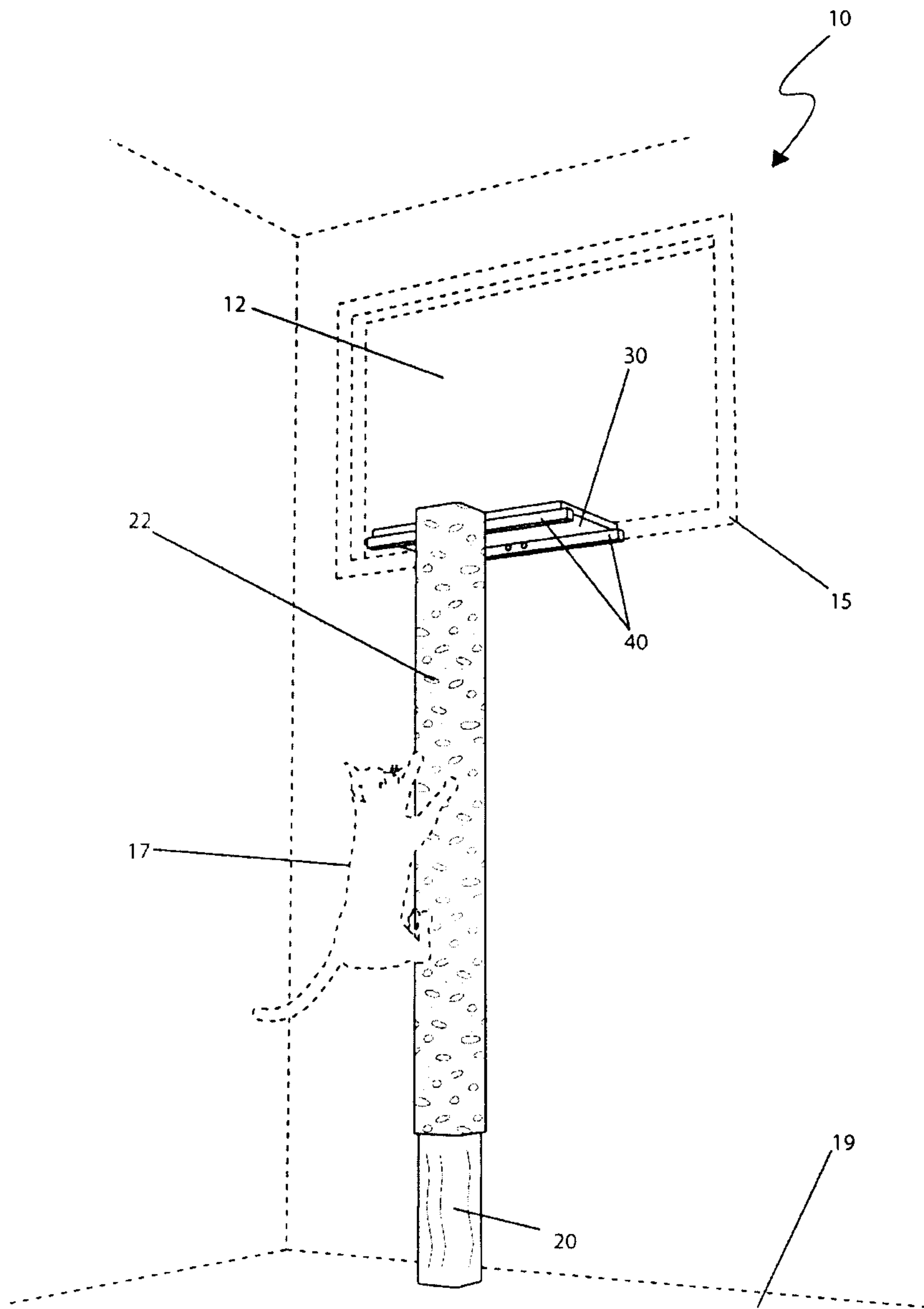


Fig 1

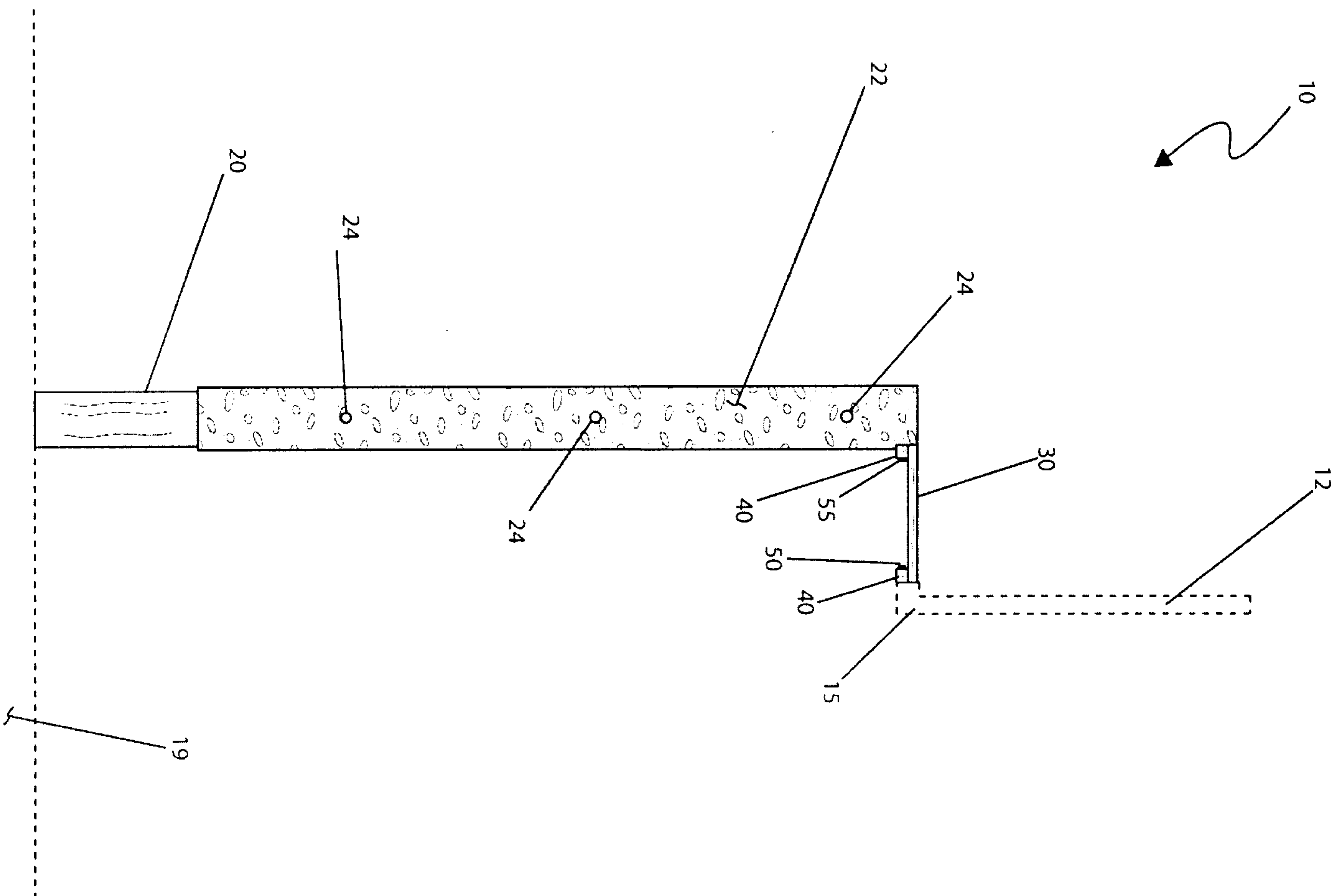


Fig 2

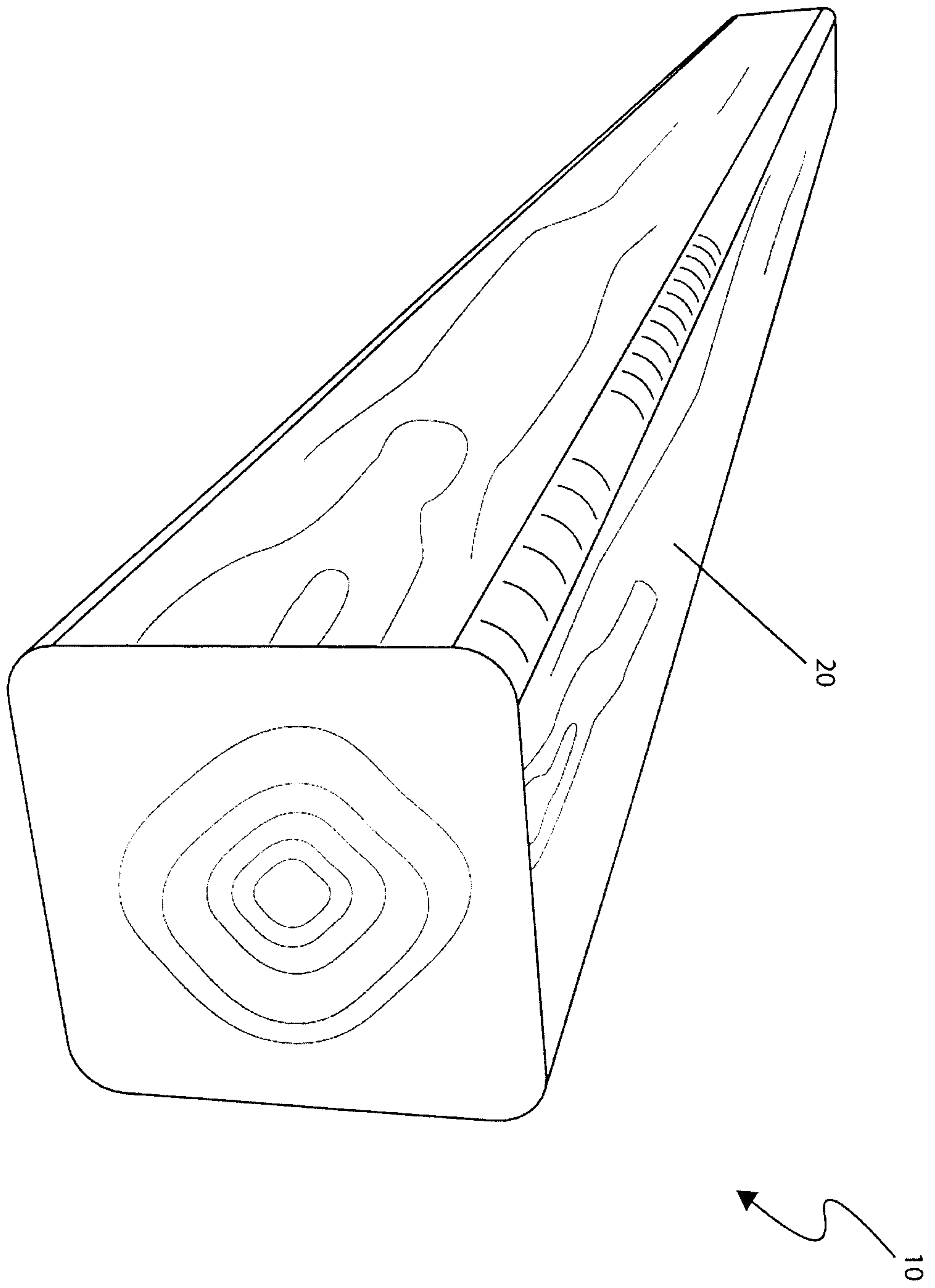


Fig 3

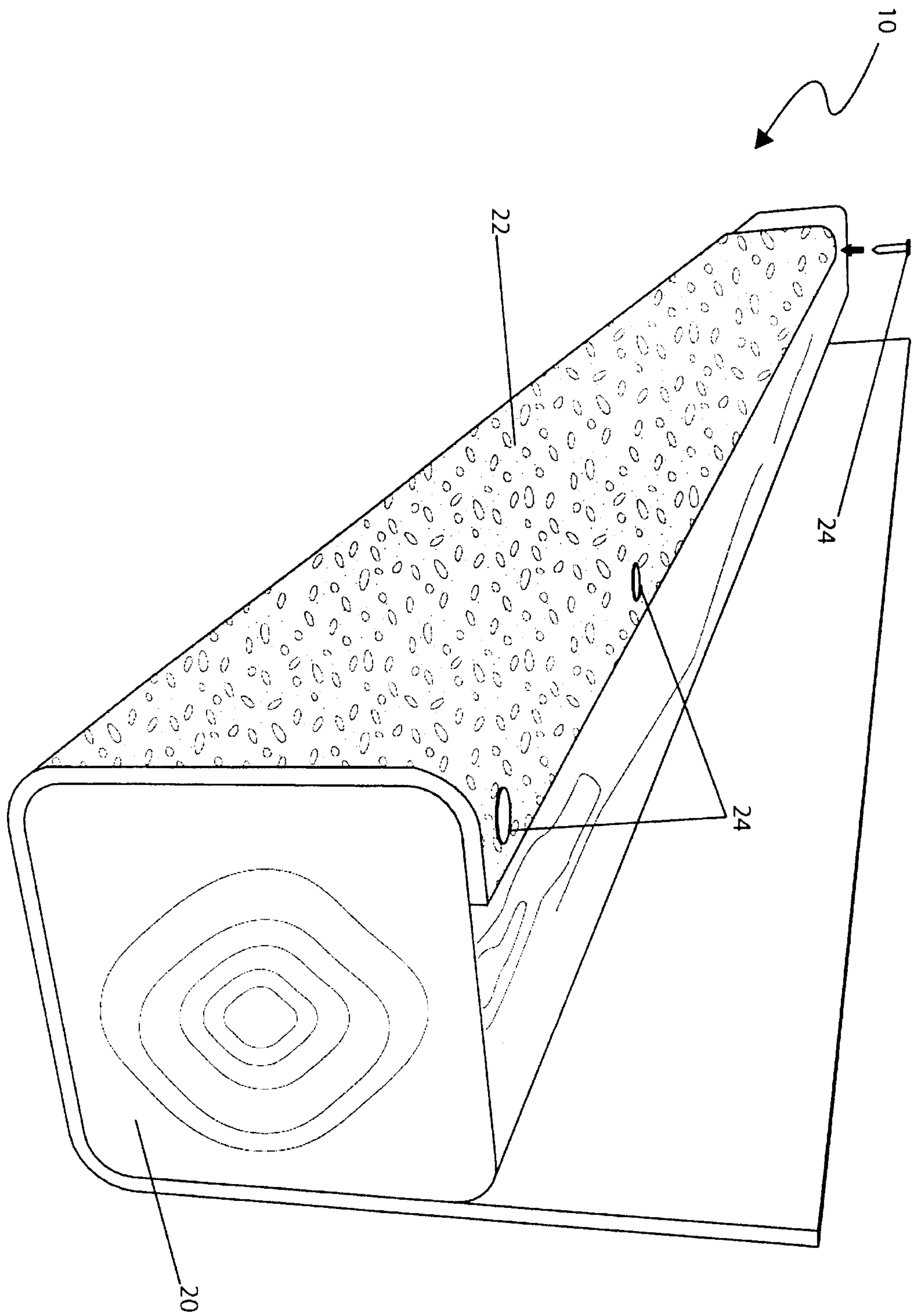


Fig 4

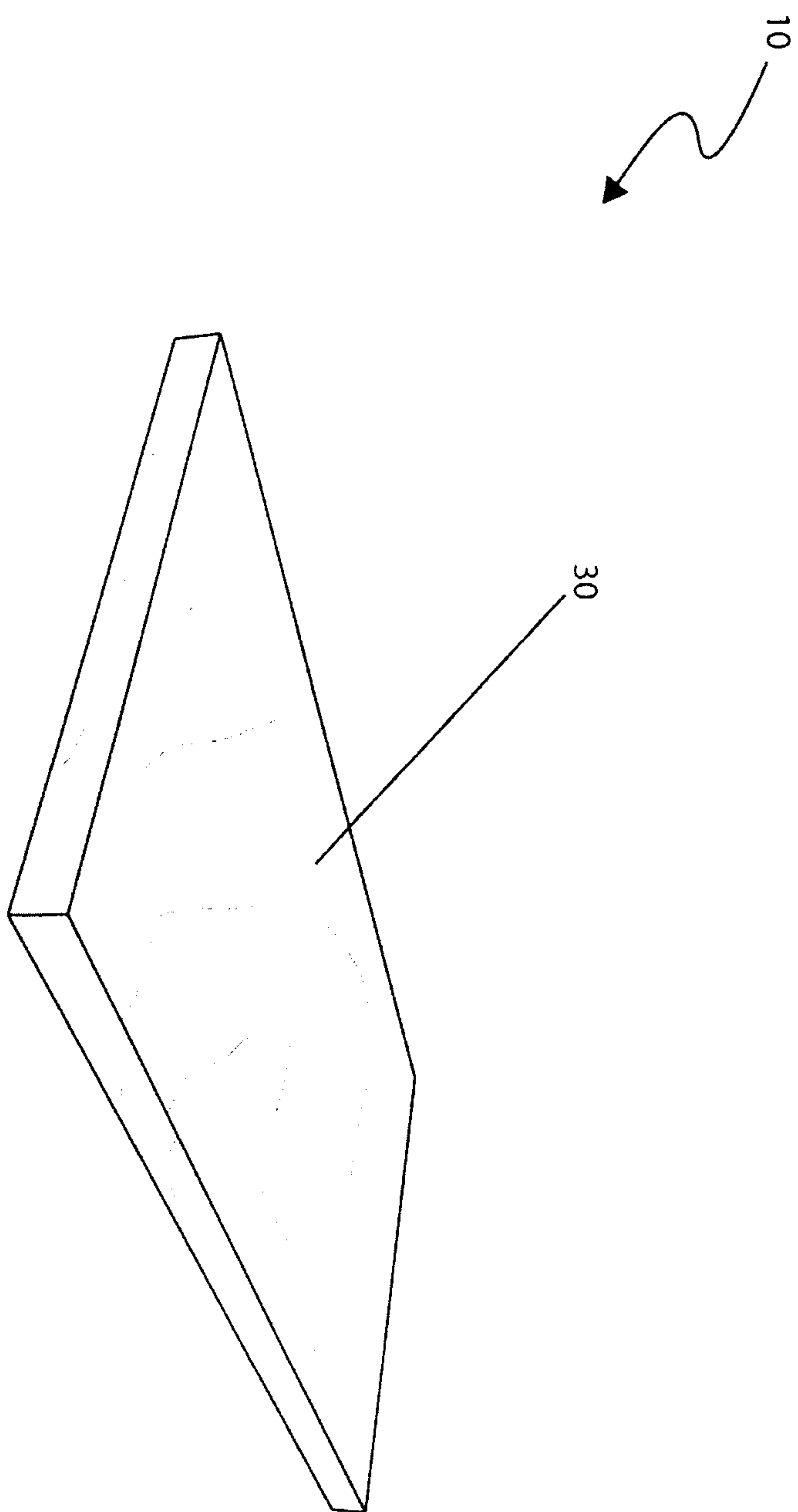


Fig 5

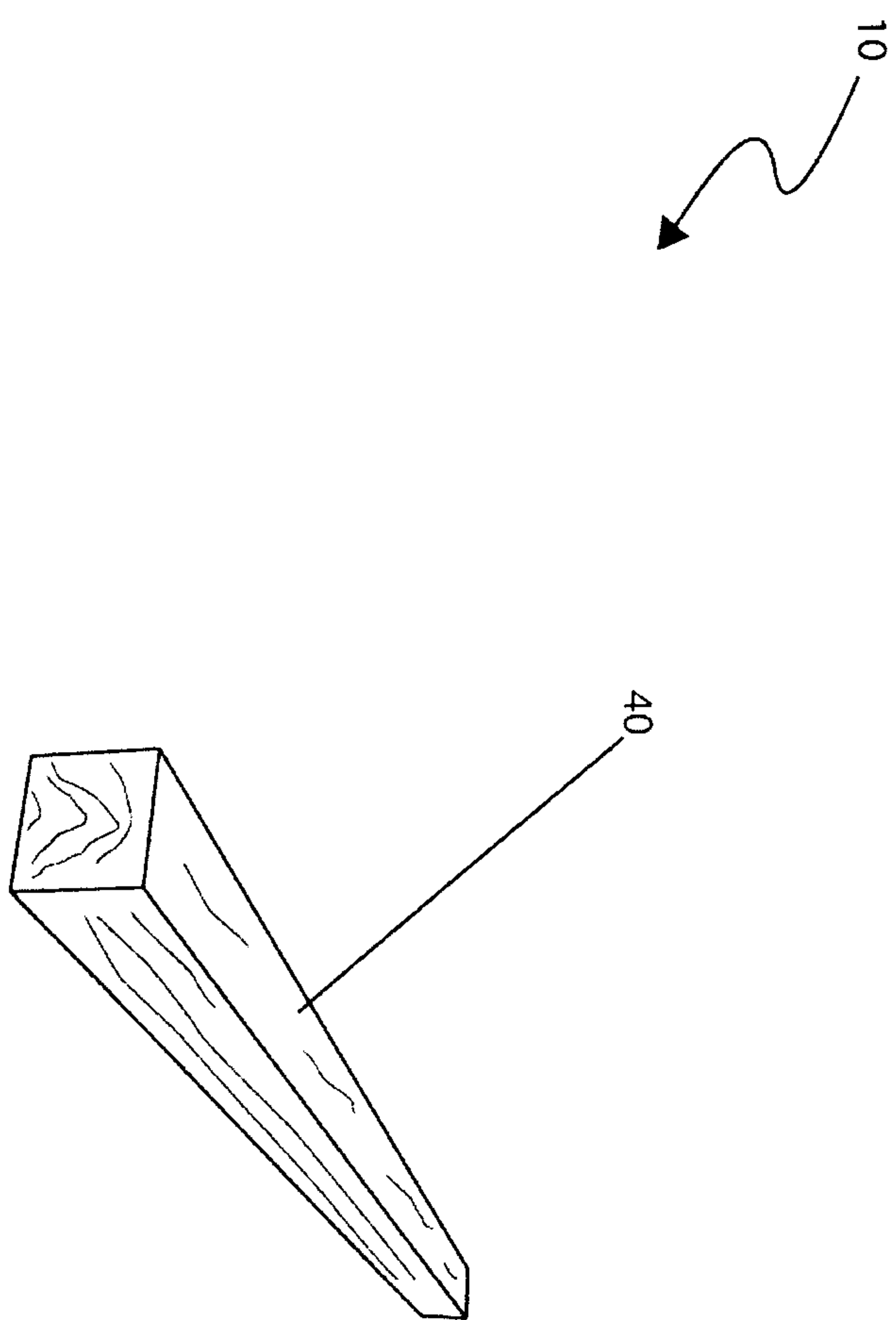


Fig 6

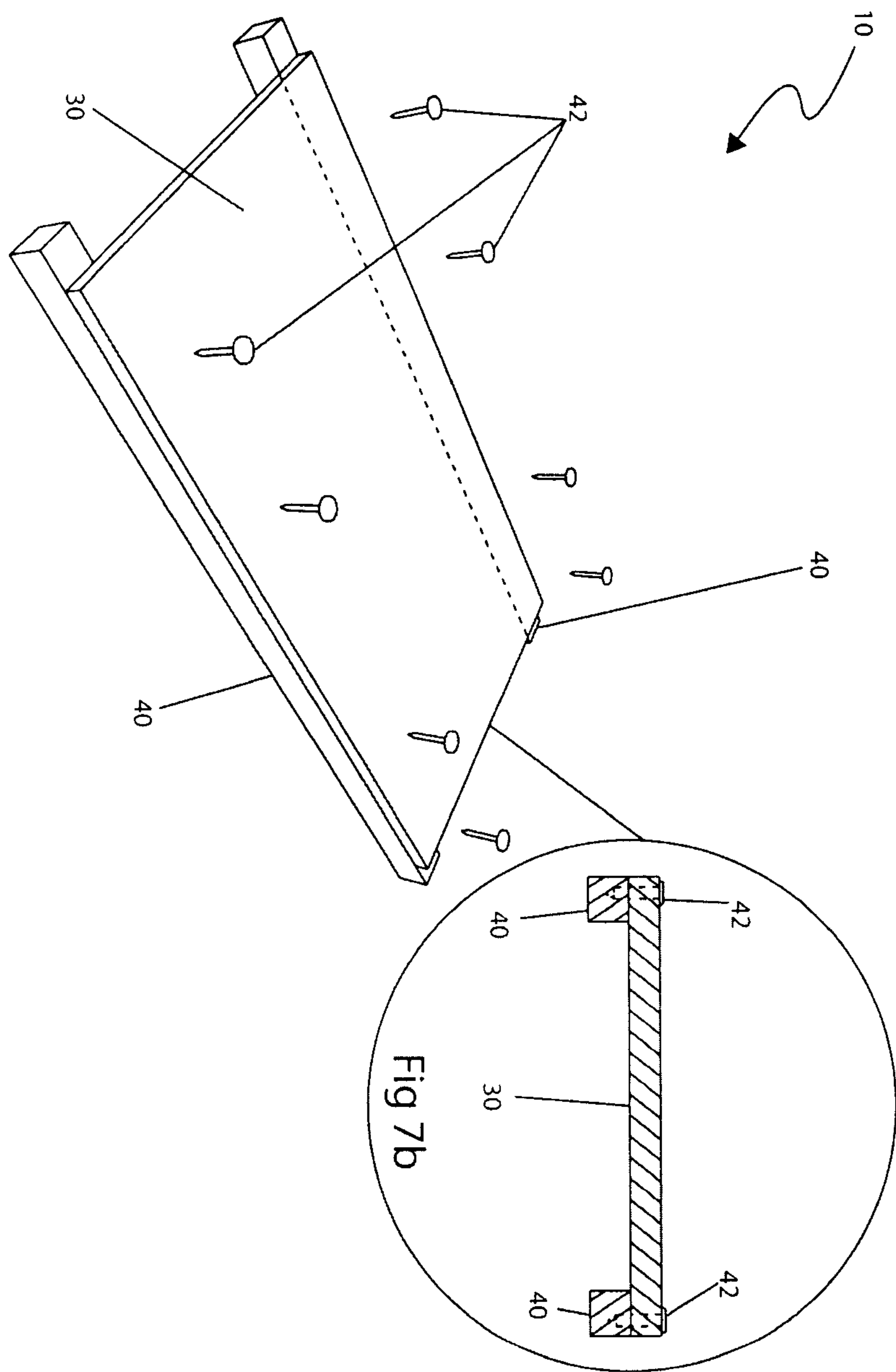


Fig 7a

Fig 7b

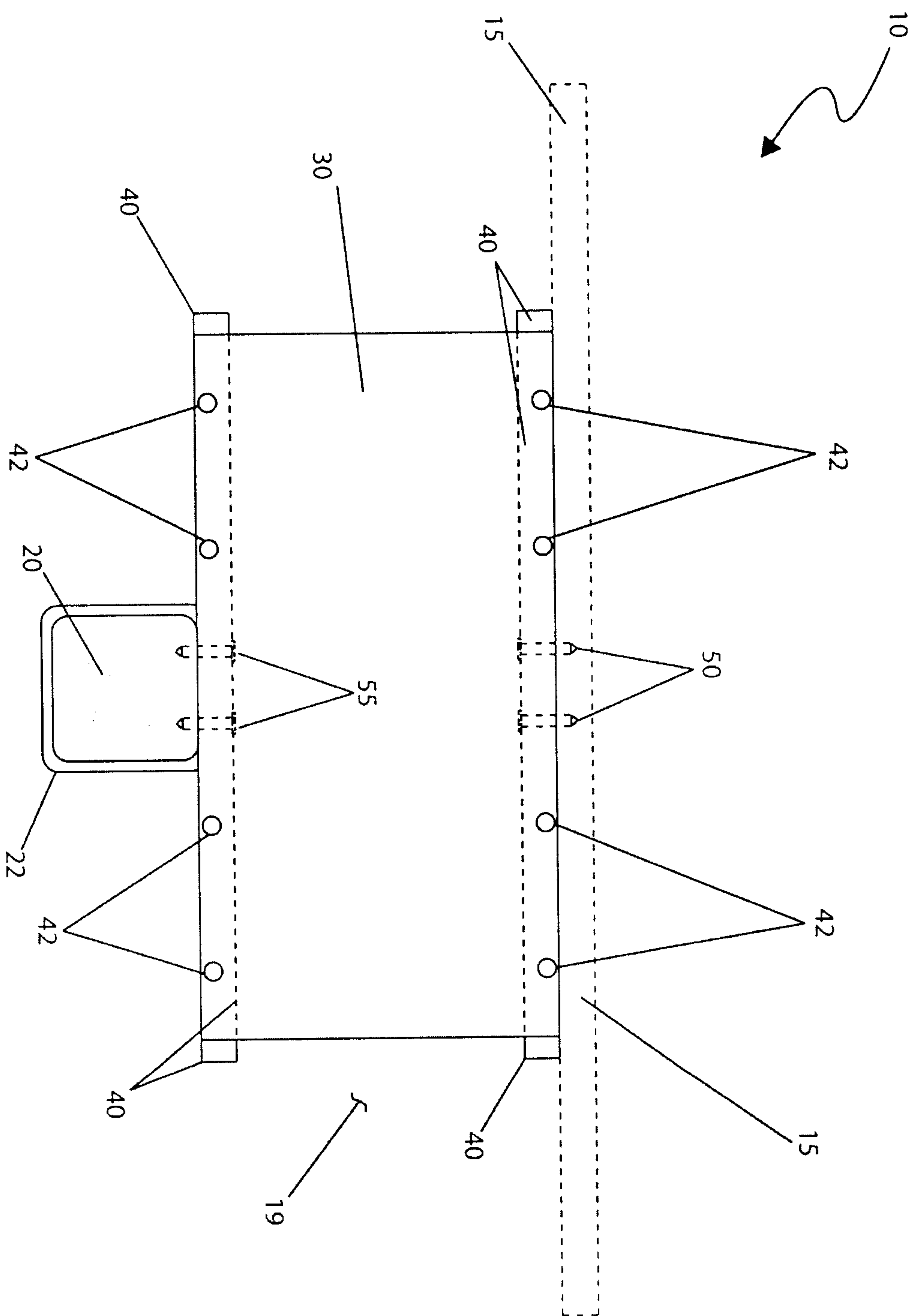


Fig 8

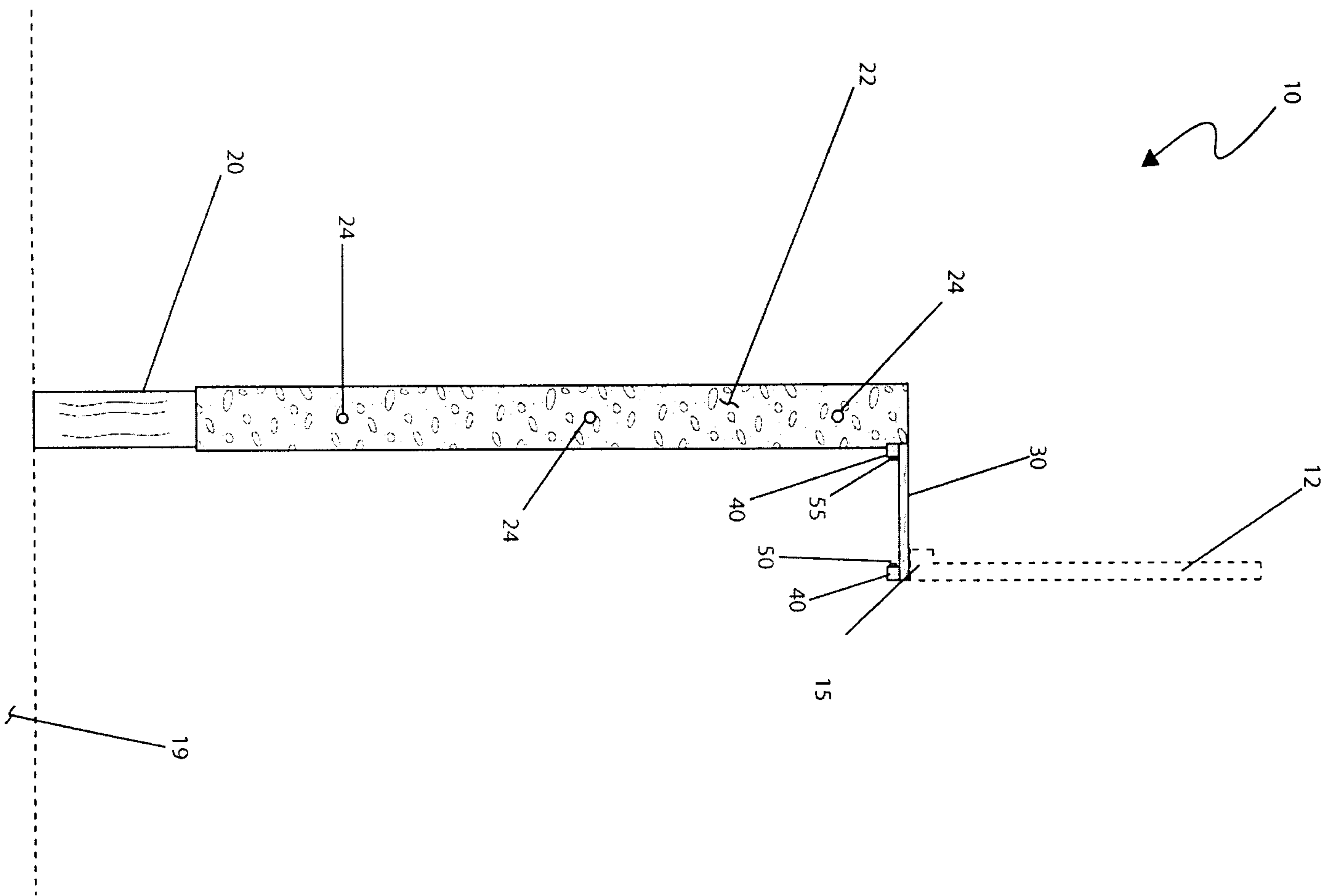


Fig 9

