

(12) **United States Design Patent** (10) **Patent No.:** **US D877,351 S**
Wersland et al. (45) **Date of Patent:** **** Mar. 3, 2020**

(54) **THERAPEUTIC DEVICE**

(71) Applicant: **TheraGun, LLC**, Beverly Hills, CA (US)

(72) Inventors: **Jason Wersland**, Manhattan Beach, CA (US); **Michael Waldron**, Dunnington (GB); **Geert Ensing**, Shanghai (CN); **Benjamin Nazarian**, Los Angeles, CA (US)

(73) Assignee: **THERAGUN, INC.**, Beverly Hills, CA (US)

D346,660 S * 5/1994 Chiang D24/215
 5,311,860 A * 5/1994 Doria A61H 23/0254
 601/103
 D362,307 S * 9/1995 Cirone D24/211
 D367,712 S * 3/1996 Young D24/215
 D383,850 S * 9/1997 Machuron D24/215
 D387,174 S * 12/1997 Gladieux, Jr. D24/211
 D415,838 S * 10/1999 Noble D24/214

(Continued)

OTHER PUBLICATIONS

<https://massageguns.com/products/massage-gun>. Massage Gun V1, earliest date on site Feb. 2, 2019, downloaded Dec. 31, 2019.*

(Continued)

(**) Term: **15 Years**

(21) Appl. No.: **29/619,831**

Primary Examiner — Sandra S Snapp
 (74) *Attorney, Agent, or Firm* — Jeffer Mangels Butler & Mitchell LLP; Brennan C. Swain, Esq.

(22) Filed: **Oct. 2, 2017**

(51) **LOC (12) Cl.** **28-03**

(52) **U.S. Cl.**
 USPC **D24/215**

(58) **Field of Classification Search**
 USPC D24/200, 211, 212, 213, 214, 215, 188,
 D24/191; 601/19, 22, 40, 46, 52, 63, 99,
 601/110–113, 118–120, 125, DIG. 12,
 601/DIG. 14, DIG. 15, DIG. 16, DIG. 17
 CPC A61H 1/00; A61H 2015/0007; A61H
 2015/0014; A61H 2015/0042; A61H
 15/00; A61H 11/00; A61H 21/00; A61H
 37/00
 See application file for complete search history.

(57) **CLAIM**
 The ornamental design for a therapeutic device, as shown and described.

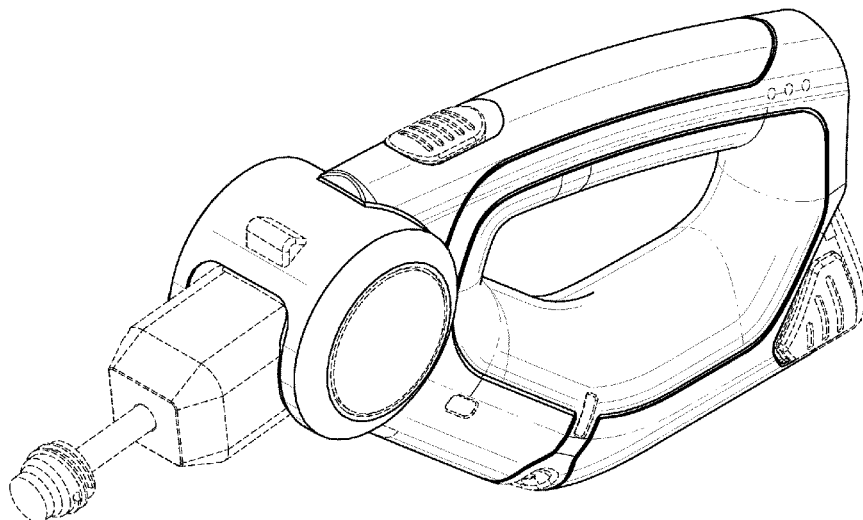
DESCRIPTION

FIG. 1 is a perspective view of the present invention;
 FIG. 2 is a right side elevational view of the present invention shown in FIG. 1;
 FIG. 3 is a left side elevational view of the present invention shown in FIG. 1;
 FIG. 4 is a front elevational view of the present invention shown in FIG. 1;
 FIG. 5 is a rear elevational view of the present invention shown in FIG. 1;
 FIG. 6 is a top plan view of the present invention shown in FIG. 1; and,
 FIG. 7 is a bottom plan view of the present invention shown in FIG. 1.
 The broken lines shown in the drawings depict portions of the therapeutic device and form no part of the claimed design.

(56) **References Cited**
 U.S. PATENT DOCUMENTS

1,657,765 A * 1/1928 Pasque A61H 23/0254
 601/108
 D245,864 S * 9/1977 Gelbart D24/211
 D315,408 S * 3/1991 Duk D24/211
 D323,034 S * 1/1992 Reinstein D24/200
 5,088,474 A * 2/1992 Mabuchi A61H 7/001
 601/110

1 Claim, 6 Drawing Sheets



(56)

References Cited

U.S. PATENT DOCUMENTS

D432,913 S * 10/2000 Hurwic D9/430
6,228,042 B1 * 5/2001 Dungan A61H 1/008
601/101
D450,853 S * 11/2001 Spalding D24/214
D476,746 S * 7/2003 Harris D24/214
6,730,050 B2 * 5/2004 Huang A61H 23/0254
601/103
6,786,878 B2 * 9/2004 Dehli A61F 7/00
601/16
D531,733 S * 11/2006 Burout, III D24/215
7,211,057 B2 * 5/2007 Gleason A61H 23/0263
601/150
D583,064 S * 12/2008 Ferber D24/214
D599,029 S * 8/2009 Ferber D24/214
D628,304 S * 11/2010 Aulwes D24/214
D649,657 S * 11/2011 Petersen D24/215
D666,303 S * 8/2012 Ding D24/215
9,889,066 B2 * 2/2018 Danby A61H 23/0254
D823,478 S * 7/2018 Park D24/215
D837,395 S * 1/2019 Gan D24/214
D842,489 S * 3/2019 Spewock D24/215
2009/0069728 A1 * 3/2009 Hoffmann A61B 8/08
601/46
2017/0340510 A1 * 11/2017 Spewock A61H 7/007

OTHER PUBLICATIONS

<https://www.theragun.com/>. ThereaGun massager. No date found on site, downloaded Dec. 31, 2019.*

* cited by examiner

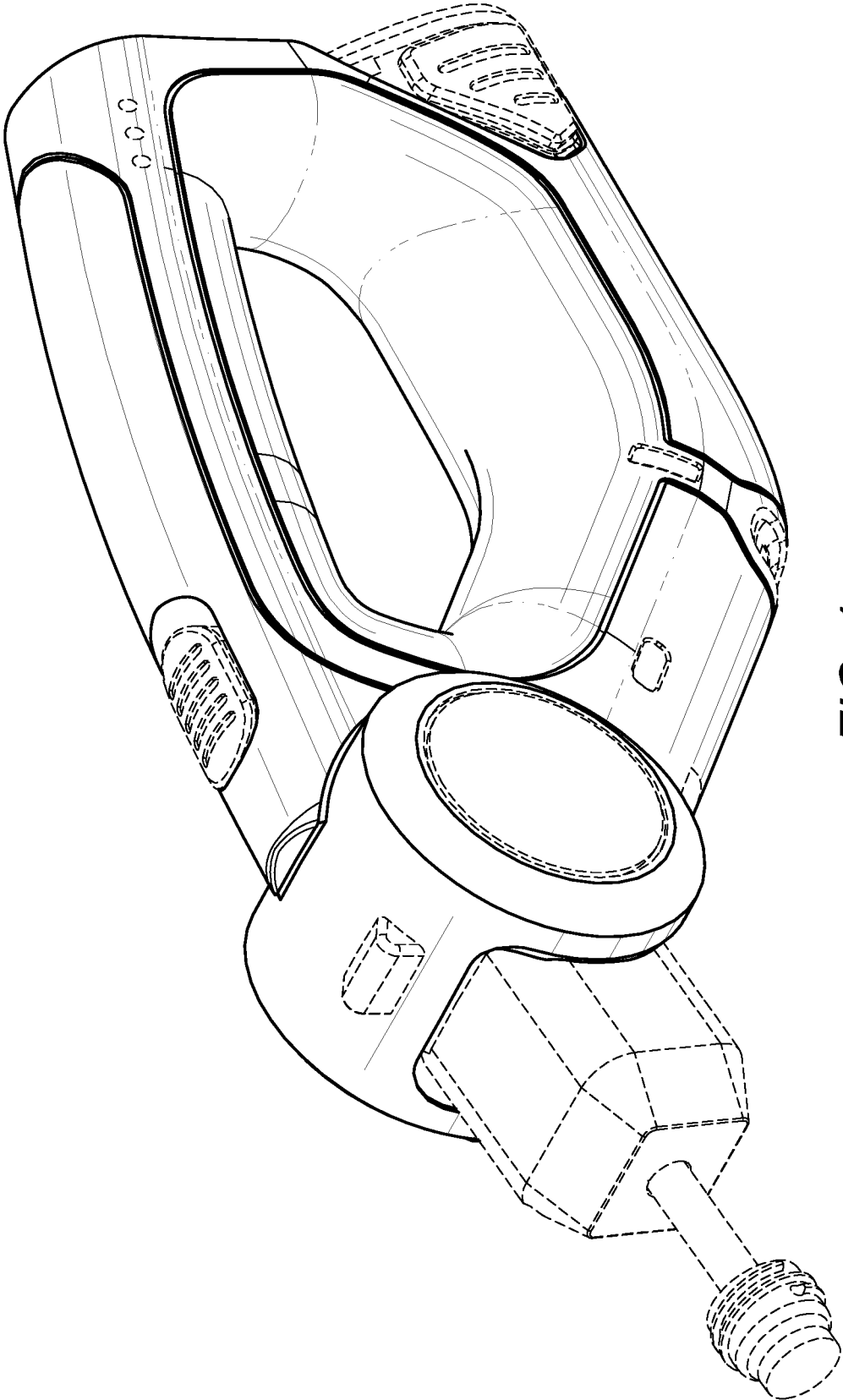


FIG. 1

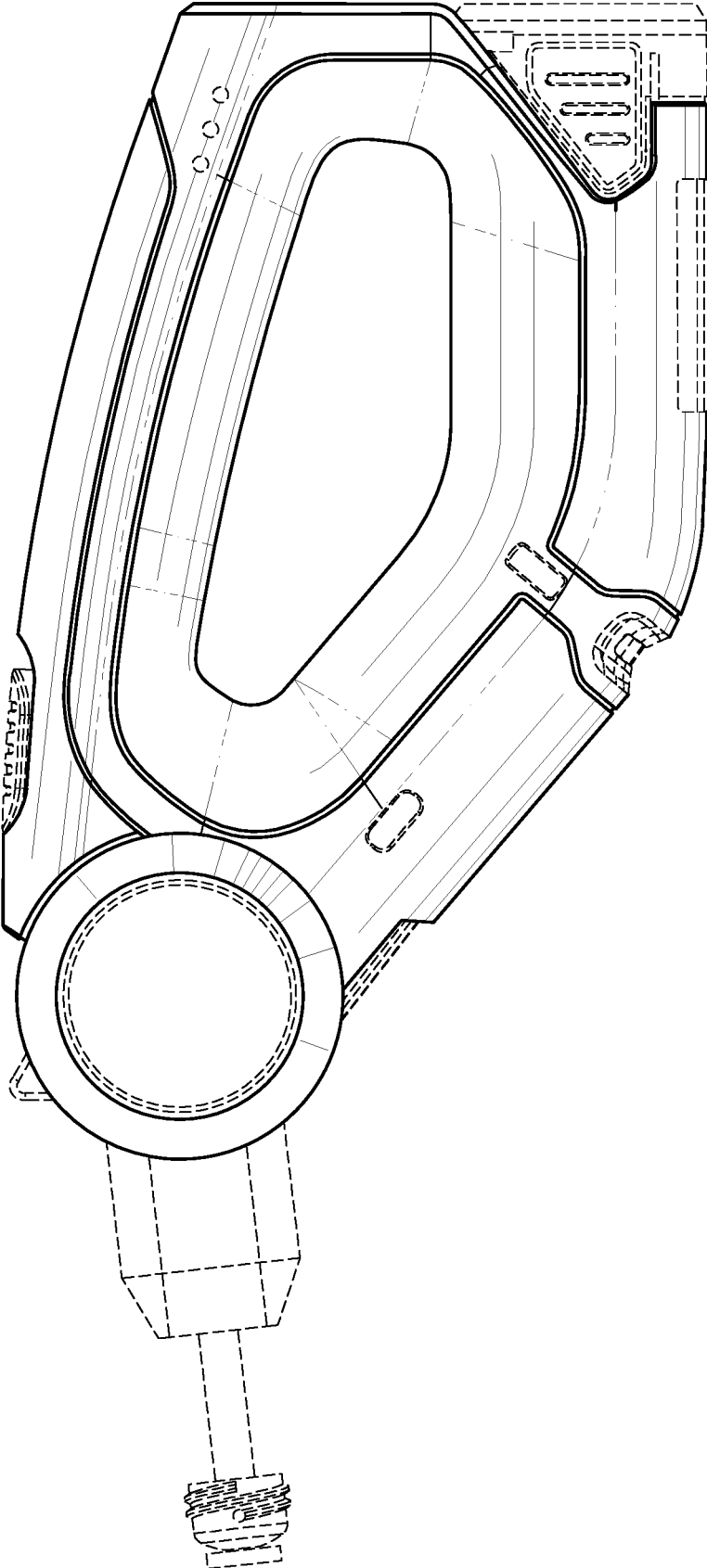


FIG. 2

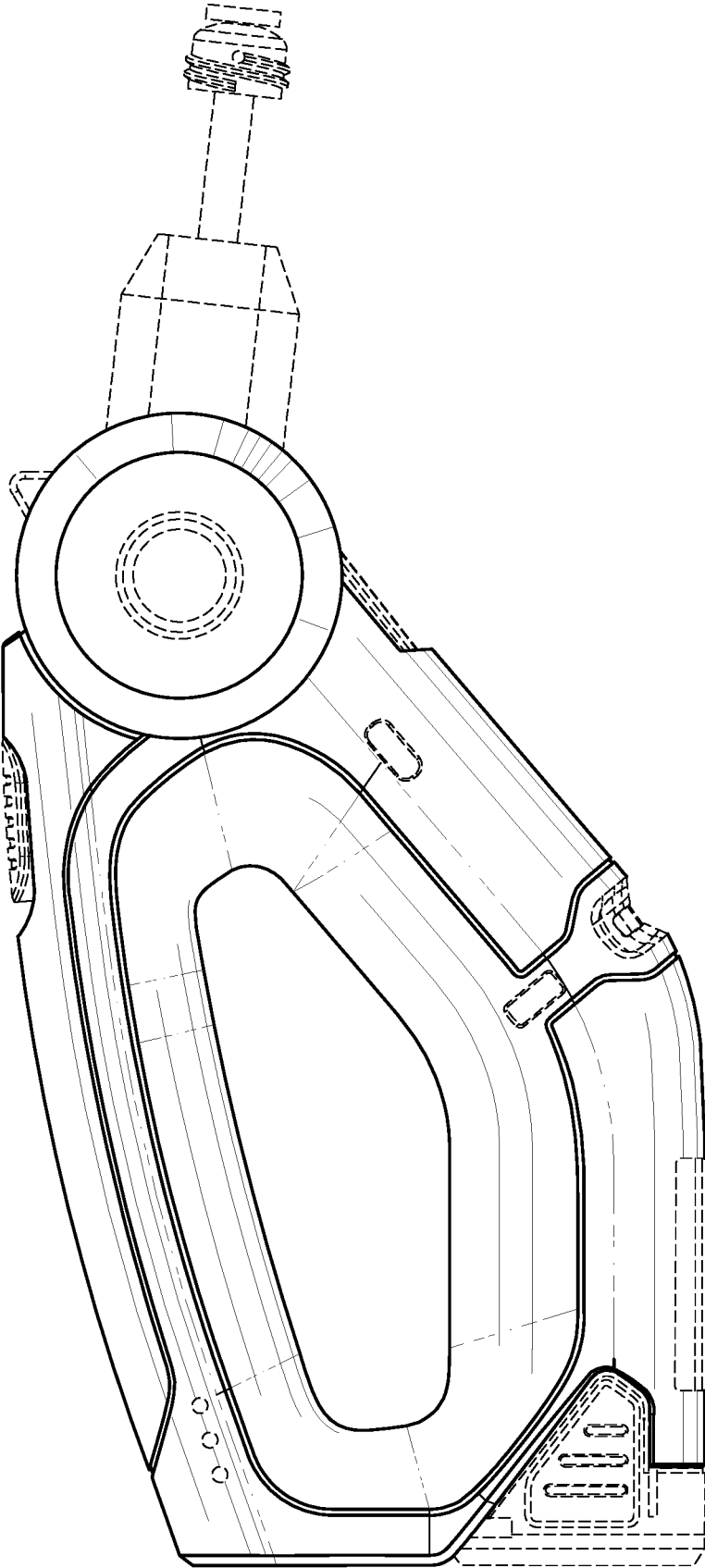


FIG. 3

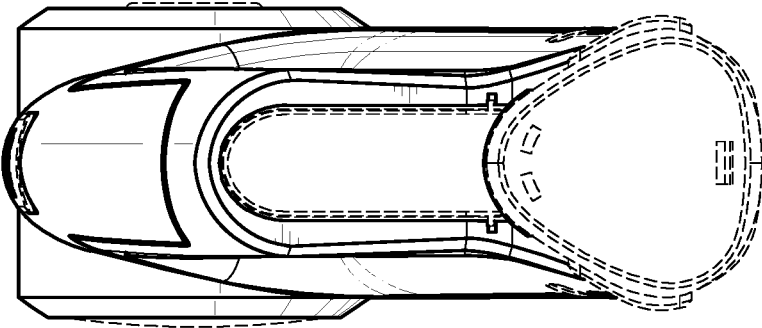


FIG. 5

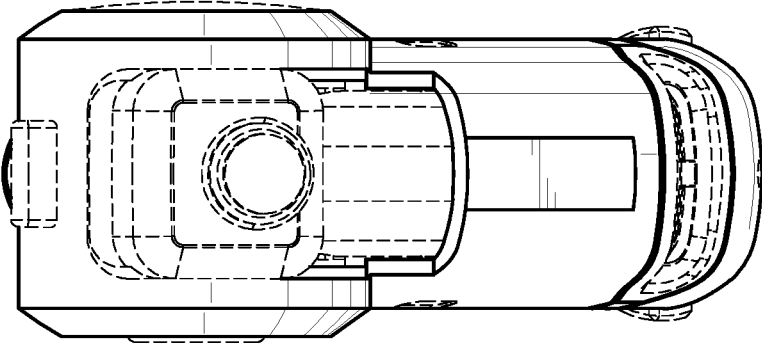


FIG. 4

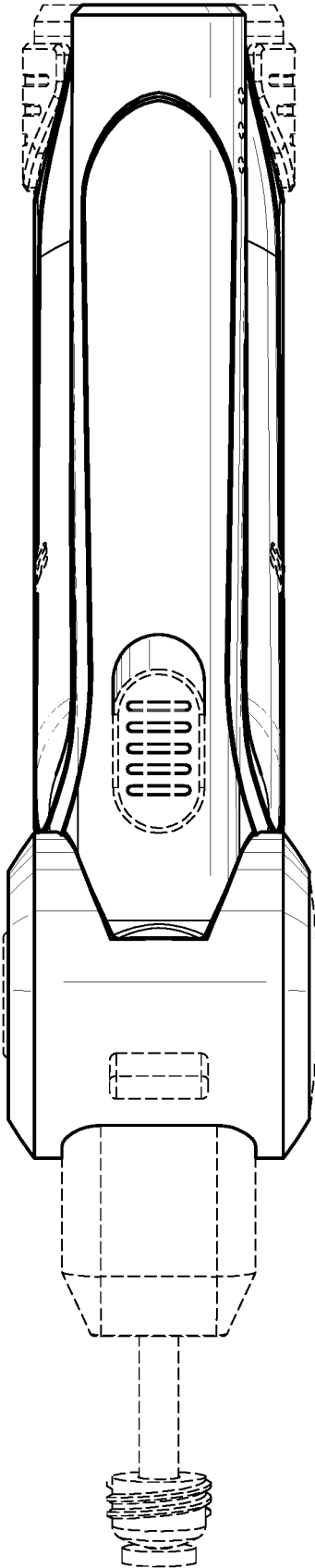


FIG. 6

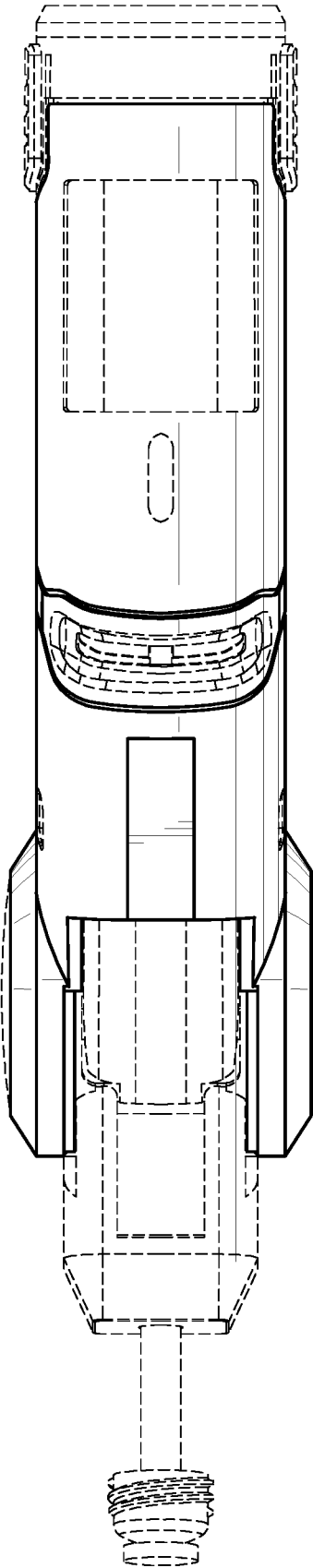


FIG. 7