



US00D874674S

(12) **United States Design Patent**  
**Cheung**

(10) **Patent No.:** **US D874,674 S**

(45) **Date of Patent:** **\*\* Feb. 4, 2020**

- (54) **VIBRATOR**
- (71) Applicant: **Brandcore Limited**, Road Town, Tortola (VG)
- (72) Inventor: **Lai Lam Cheung**, Ma On Shan (HK)
- (73) Assignee: **Brandcore Limited** (VG)
- (\*\*) Term: **15 Years**
- (21) Appl. No.: **29/581,125**
- (22) Filed: **Oct. 17, 2016**
- (51) **LOC (12) Cl.** ..... **28-03**
- (52) **U.S. Cl.**  
USPC ..... **D24/215**
- (58) **Field of Classification Search**  
USPC ..... D24/200, 211, 212, 213, 214, 215;  
601/19, 22, 40, 46, 52, 63, 99, 110, 111,  
601/112, 113, 118, 119, 120, 125,  
601/DIG. 12-17  
CPC ..... A61H 1/00; A61H 2015/0007; A61H  
2015/0014; A61H 2015/0042; A61H  
15/00; A61H 11/00; A61H 21/00; A61H  
37/00  
See application file for complete search history.

|                   |         |          |       |                        |
|-------------------|---------|----------|-------|------------------------|
| D758,604 S *      | 6/2016  | Brinberg | ..... | D24/215                |
| D771,830 S *      | 11/2016 | Sedic    | ..... | D24/215                |
| D796,054 S *      | 8/2017  | Chen     | ..... | D24/215                |
| D796,055 S *      | 8/2017  | Chen     | ..... | D24/215                |
| D818,142 S *      | 5/2018  | Cheung   | ..... | D24/215                |
| D818,603 S *      | 5/2018  | Marshall | ..... | D24/215                |
| D838,377 S *      | 1/2019  | Hu       | ..... | D24/215                |
| D854,181 S *      | 7/2019  | Wei      | ..... | D24/215                |
| 2013/0178769 A1 * | 7/2013  | Schmidt  | ..... | A61H 19/34<br>601/46   |
| 2013/0231385 A1 * | 9/2013  | Ahn      | ..... | C07C 235/56<br>514/454 |
| 2016/0120737 A1 * | 5/2016  | Sedic    | ..... | A61H 19/34<br>601/46   |

\* cited by examiner

*Primary Examiner* — Sandra S Snapp  
(74) *Attorney, Agent, or Firm* — Merek, Blackmon & Voorhees, LLC

(57) **CLAIM**

The ornamental design for a vibrator, as shown and described.

**DESCRIPTION**

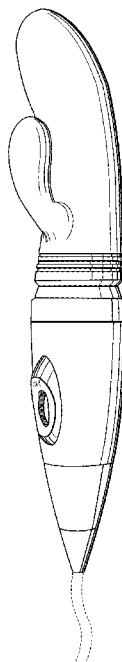
FIG. 1 is a left, front perspective view of a vibrator with the ornamental design, with the right, front perspective view being a mirror image thereof;  
FIG. 2 is a front side view of the vibrator of FIG. 1;  
FIG. 3 is a rear side view of the vibrator of FIG. 1;  
FIG. 4 is an enlarged top plan view of the vibrator of FIG. 1; and,  
FIG. 5 is an enlarged bottom plan view of the vibrator of FIG. 1.  
The areas shown within the broken lines represent portions of the vibrator, which form no part of the claimed design.

**1 Claim, 4 Drawing Sheets**

(56) **References Cited**

U.S. PATENT DOCUMENTS

|              |         |      |       |                       |
|--------------|---------|------|-------|-----------------------|
| D681,219 S * | 4/2013  | Chen | ..... | D24/215               |
| D681,223 S * | 4/2013  | Chen | ..... | D24/215               |
| D685,917 S * | 7/2013  | Chen | ..... | D24/215               |
| D693,935 S * | 11/2013 | Chen | ..... | D24/215               |
| D693,936 S * | 11/2013 | Chen | ..... | D24/215               |
| D712,054 S * | 8/2014  | Tai  | ..... | A61H 19/40<br>D24/215 |



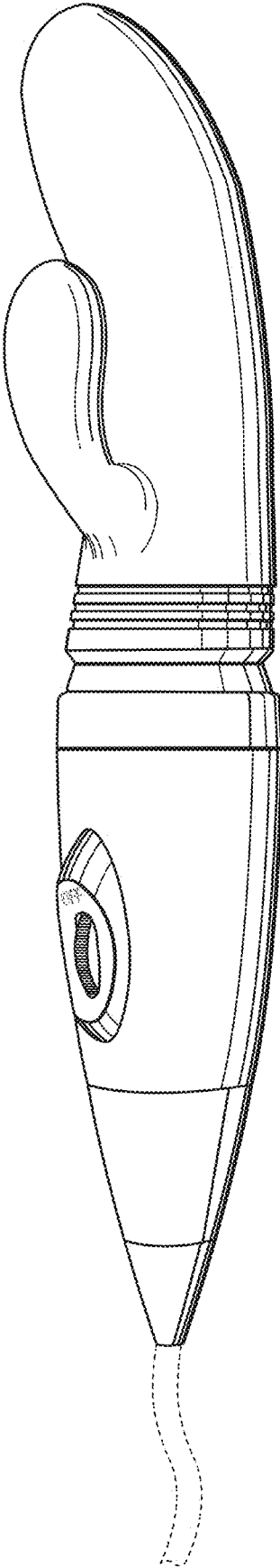


Fig. 1

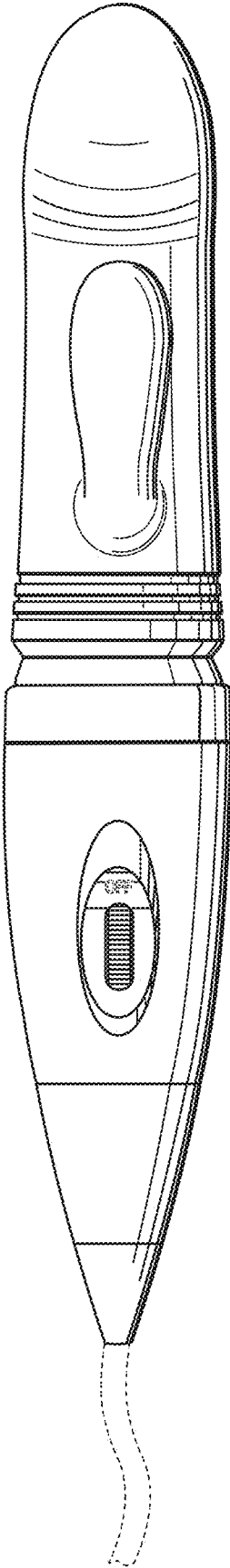


Fig. 2

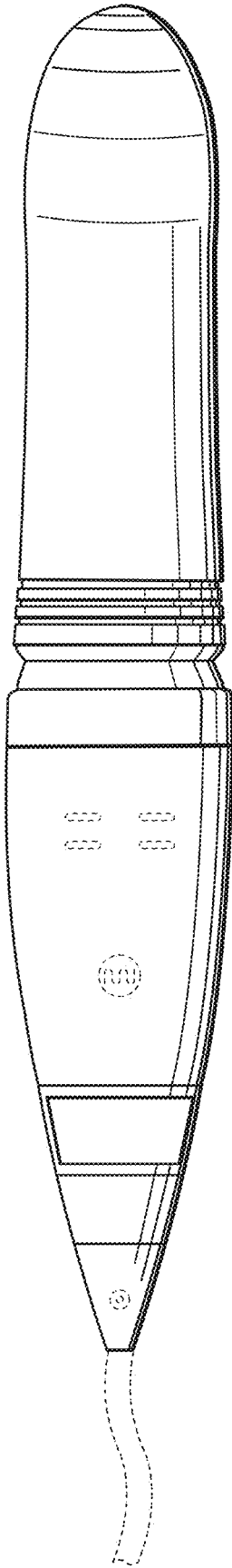


Fig. 3

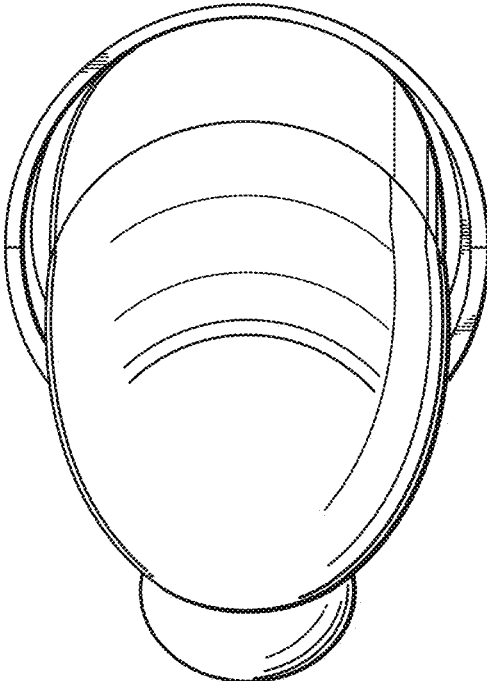


Fig. 4

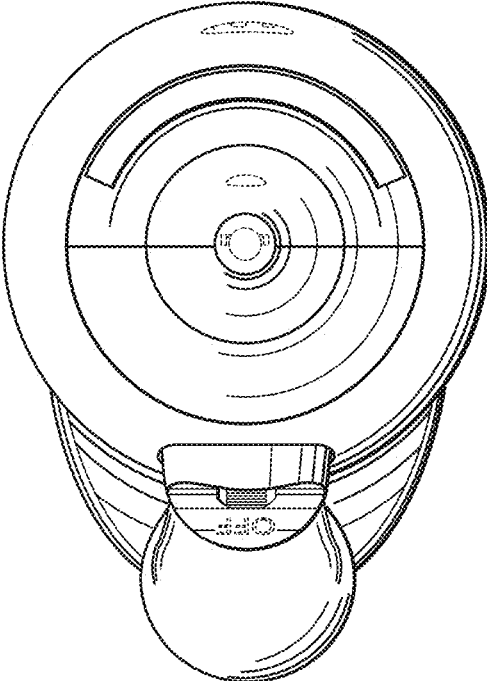


Fig. 5