



US00D601093S

(12) **United States Design Patent**
Wu et al.

(10) **Patent No.:** **US D601,093 S**

(45) **Date of Patent:** **** Sep. 29, 2009**

(54) **ELECTRICAL ADAPTER**

(75) Inventors: **Xiao-Gang Wu**, KunShan (CN);
Ping-Sheng Su, TuCheng (TW)

(73) Assignee: **Hon Hai Precision Ind. Co., Ltd.**,
Taipei Hsien (TW)

(**) Term: **14 Years**

(21) Appl. No.: **29/314,663**

(22) Filed: **Apr. 15, 2009**

(30) **Foreign Application Priority Data**

Oct. 15, 2008 (CN) 2008 3 0301663

(51) **LOC (9) Cl.** **13-03**

(52) **U.S. Cl.** **D13/147**

(58) **Field of Classification Search** D13/133,
D13/146-147, 154, 184; 439/350, 353, 358,
439/447, 607-610, 660, 677, 680, 682, 686
See application file for complete search history.

(56) **References Cited**

U.S. PATENT DOCUMENTS

D527,709 S * 9/2006 Kuo D13/147
D563,899 S * 3/2008 Goetz et al. D13/154

D588,543 S * 3/2009 Kondo D13/147
D588,995 S * 3/2009 Wu et al. D13/147
D589,453 S * 3/2009 Zhao et al. D13/147
D589,455 S * 3/2009 Wu et al. D13/147

* cited by examiner

Primary Examiner—Daniel D Bui

(74) *Attorney, Agent, or Firm*—Wei Te Chung

(57) **CLAIM**

The ornamental design for an electrical adapter, as shown described.

DESCRIPTION

FIG. 1 is a front, top and right side perspective view of the electrical adapter, showing our new design;

FIG. 2 is a front elevation view thereof;

FIG. 3 is a rear elevation view thereof;

FIG. 4 is a left side elevation view thereof;

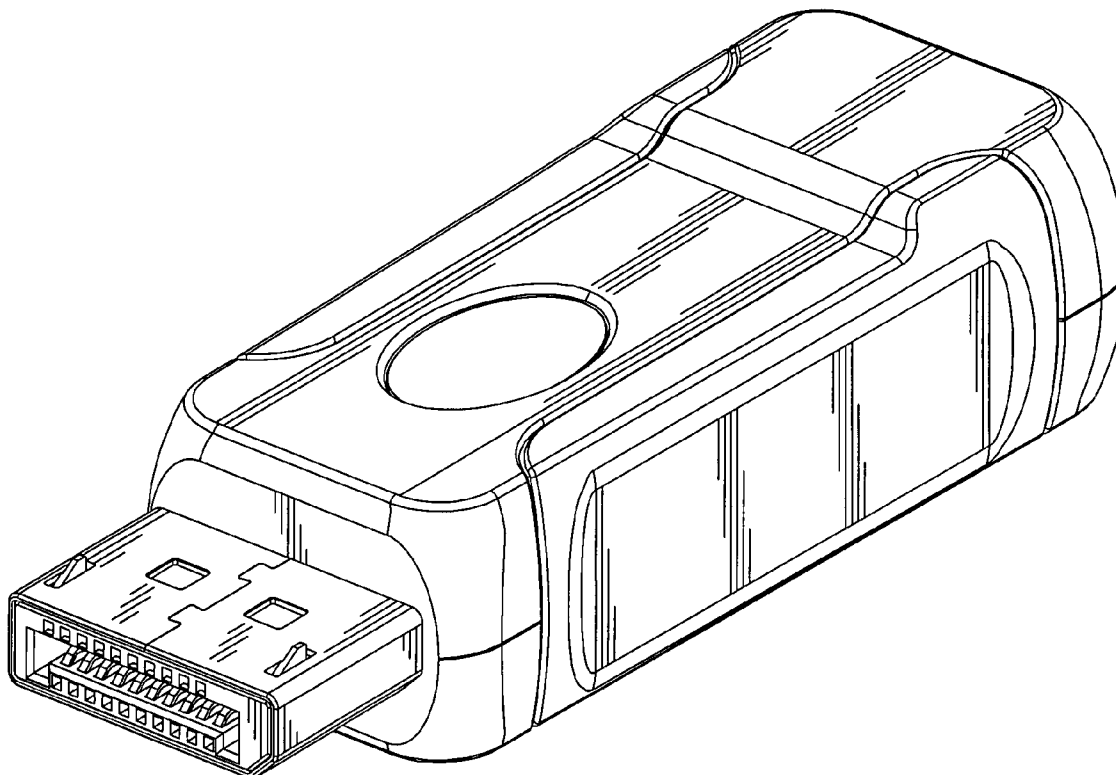
FIG. 5 is a right side elevation view thereof;

FIG. 6 is a top plan view thereof;

FIG. 7 is a bottom plan view thereof; and,

FIG. 8 is a rear, top and left side perspective view of the electrical adapter, showing our new design.

1 Claim, 8 Drawing Sheets



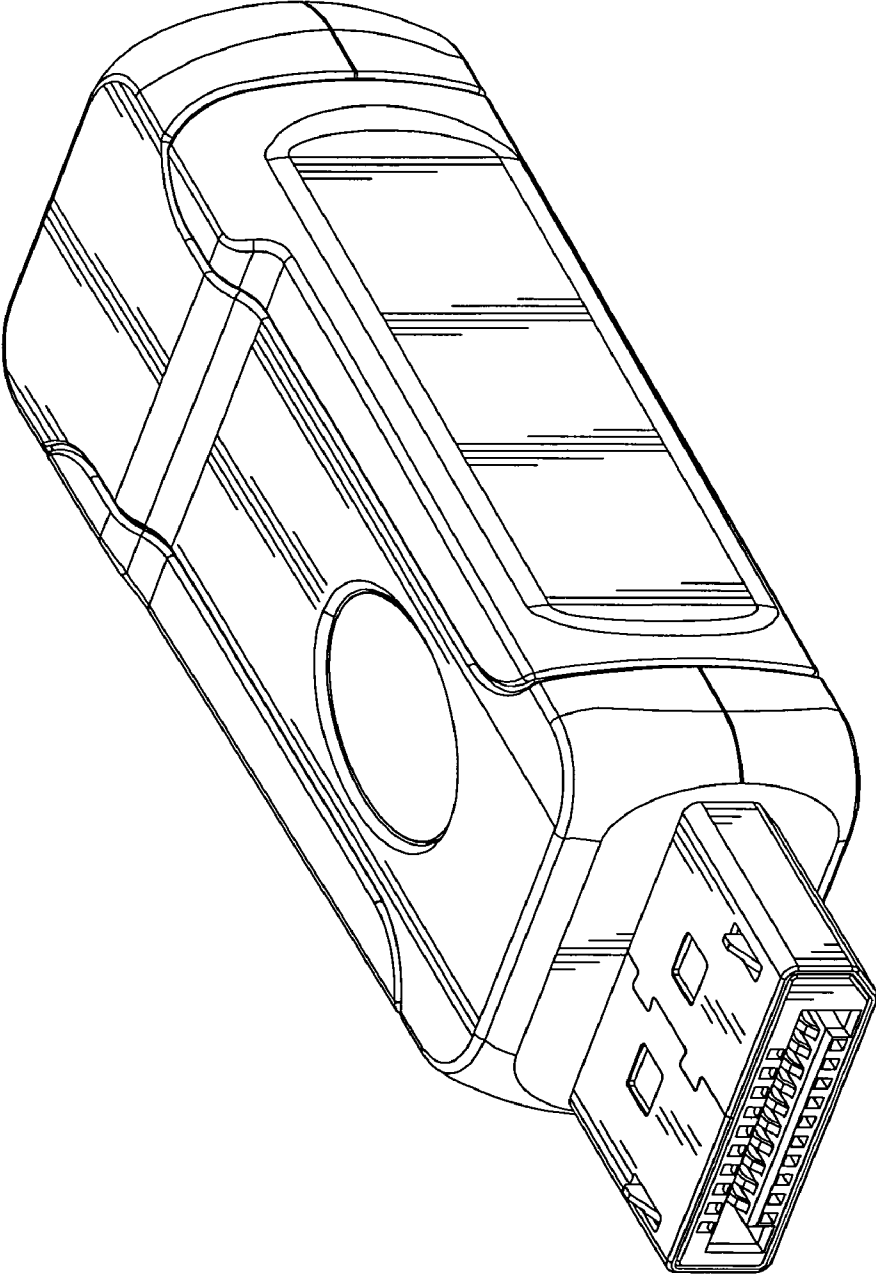


FIG. 1

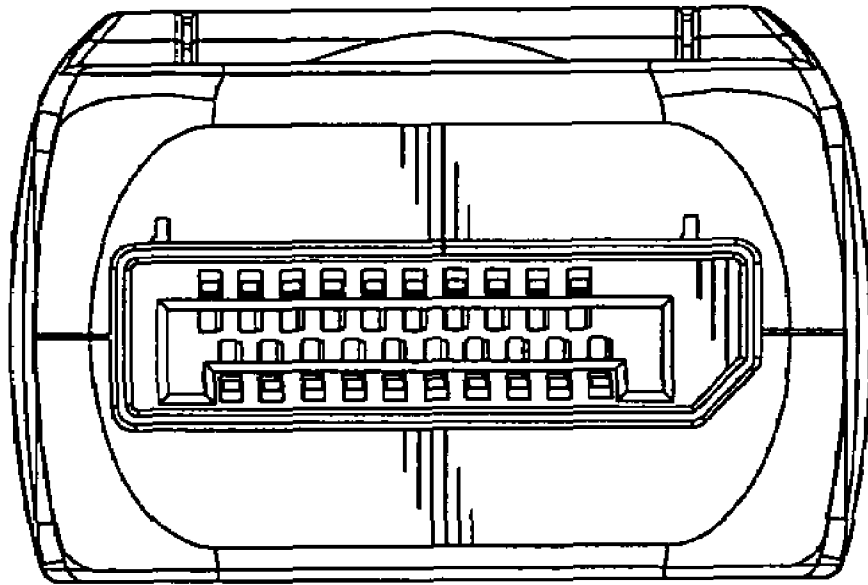


FIG. 2

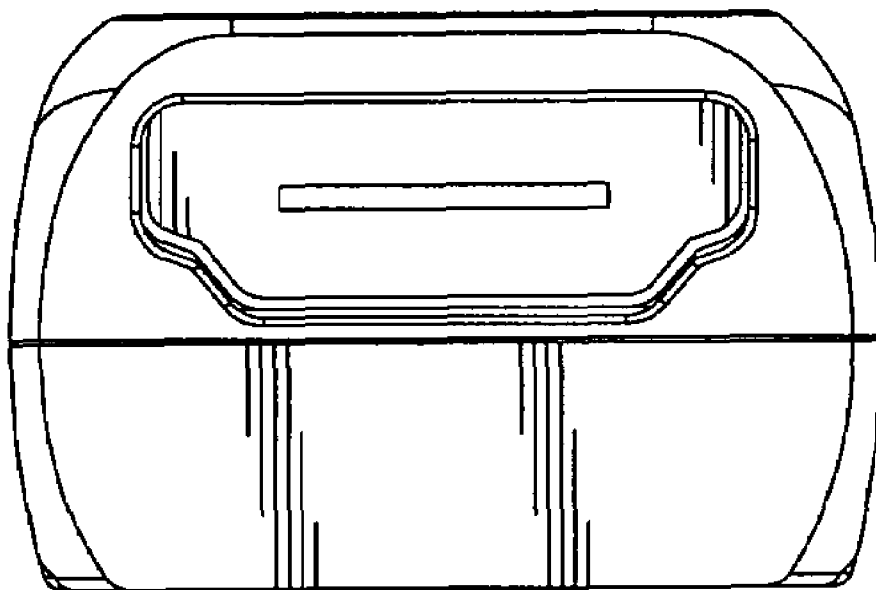


FIG. 3

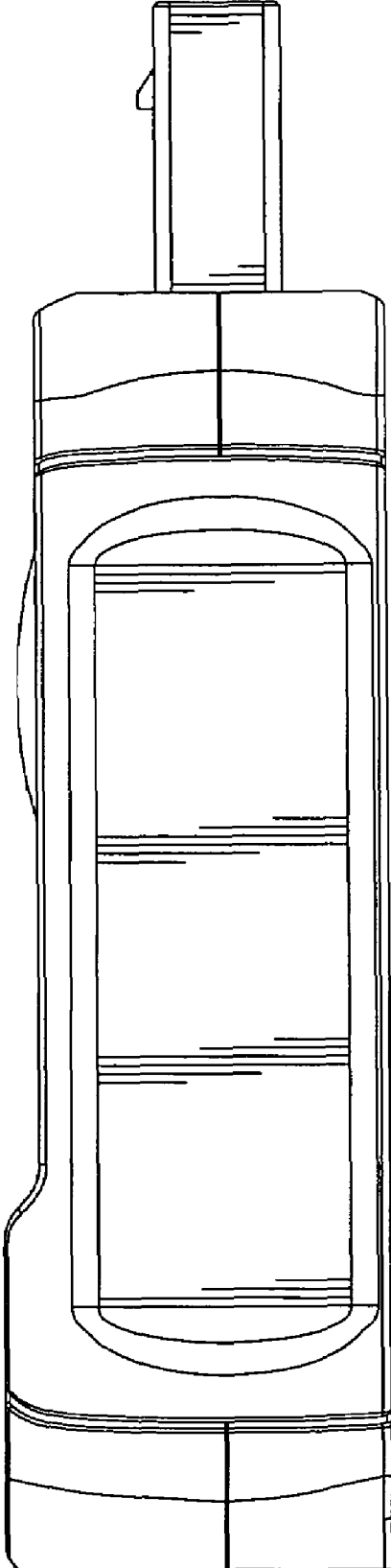


FIG. 4

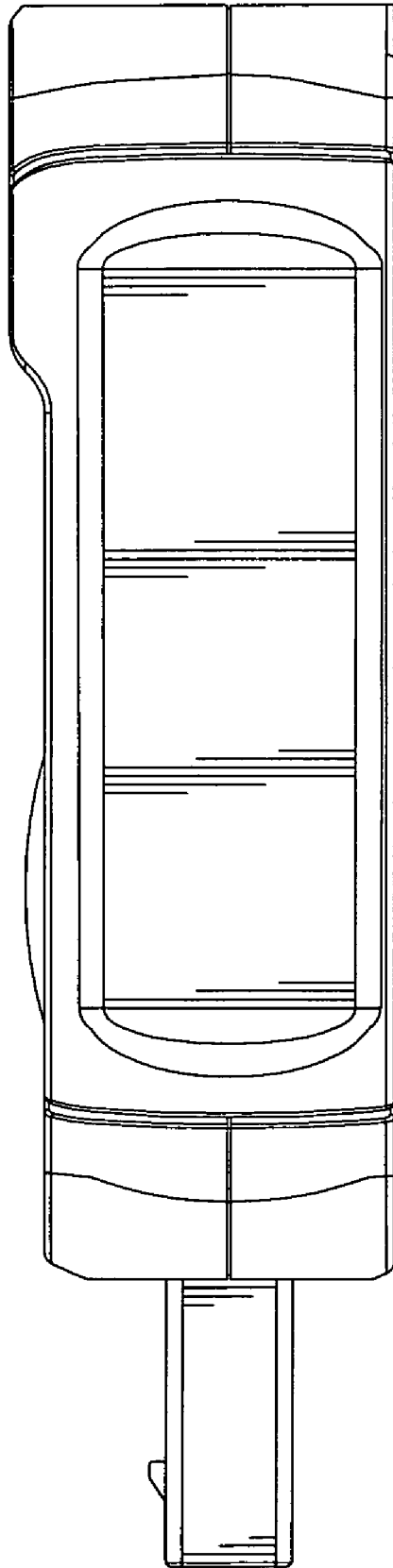


FIG. 5

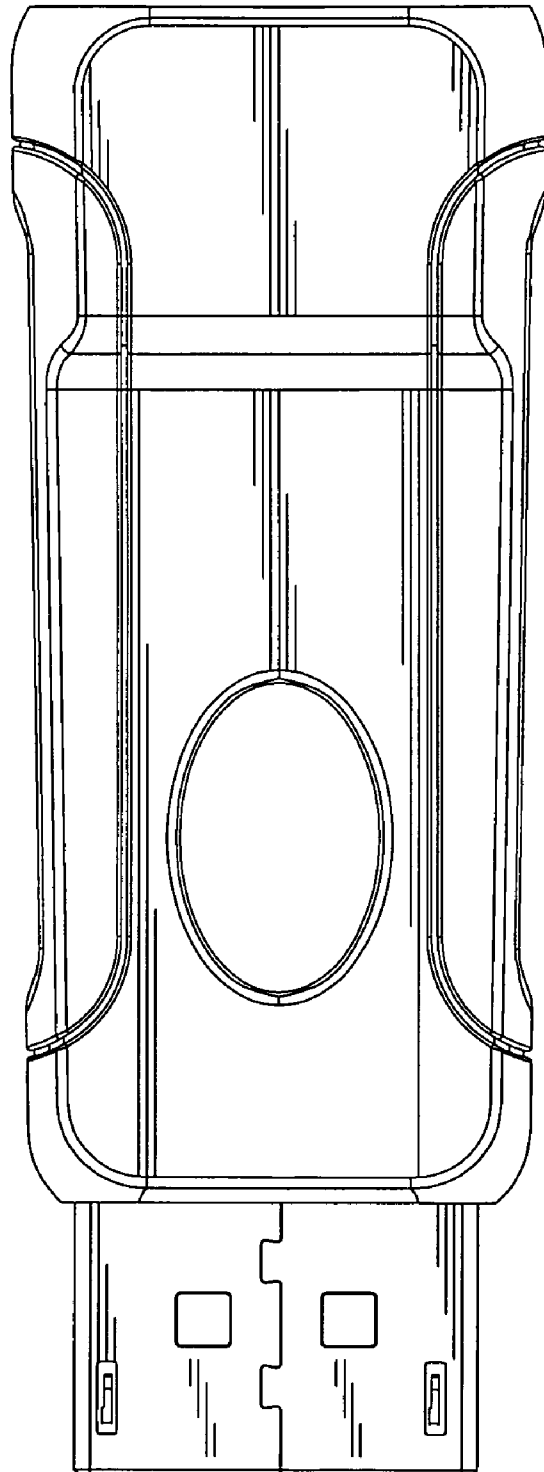


FIG. 6

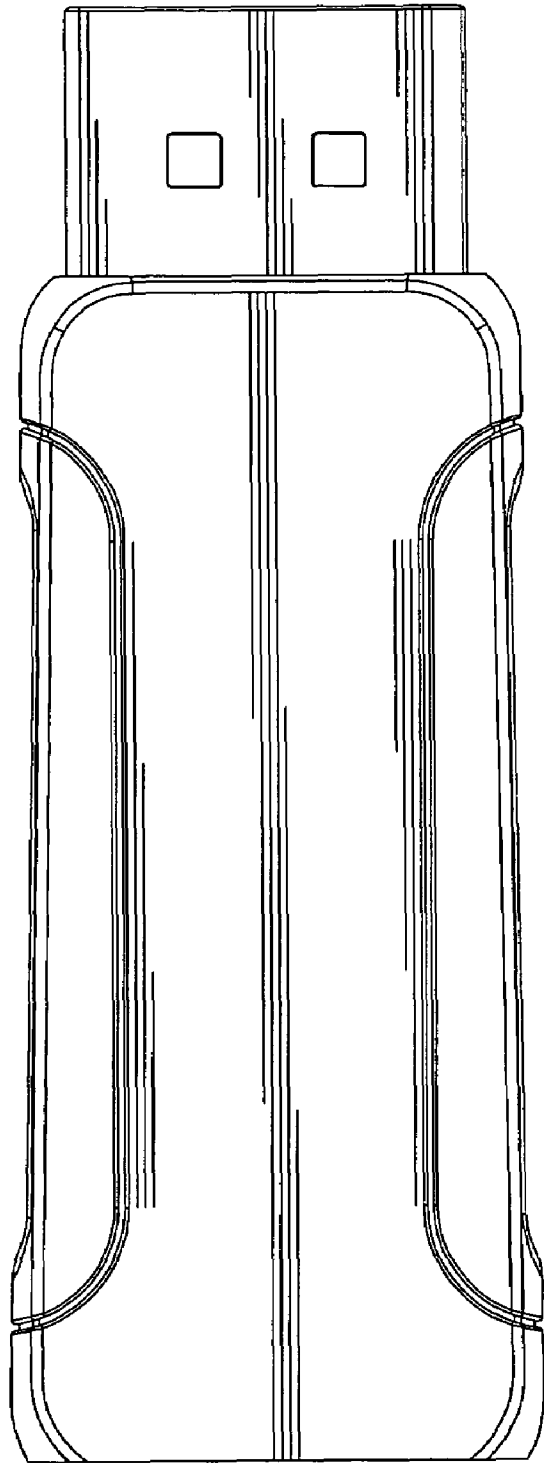


FIG. 7

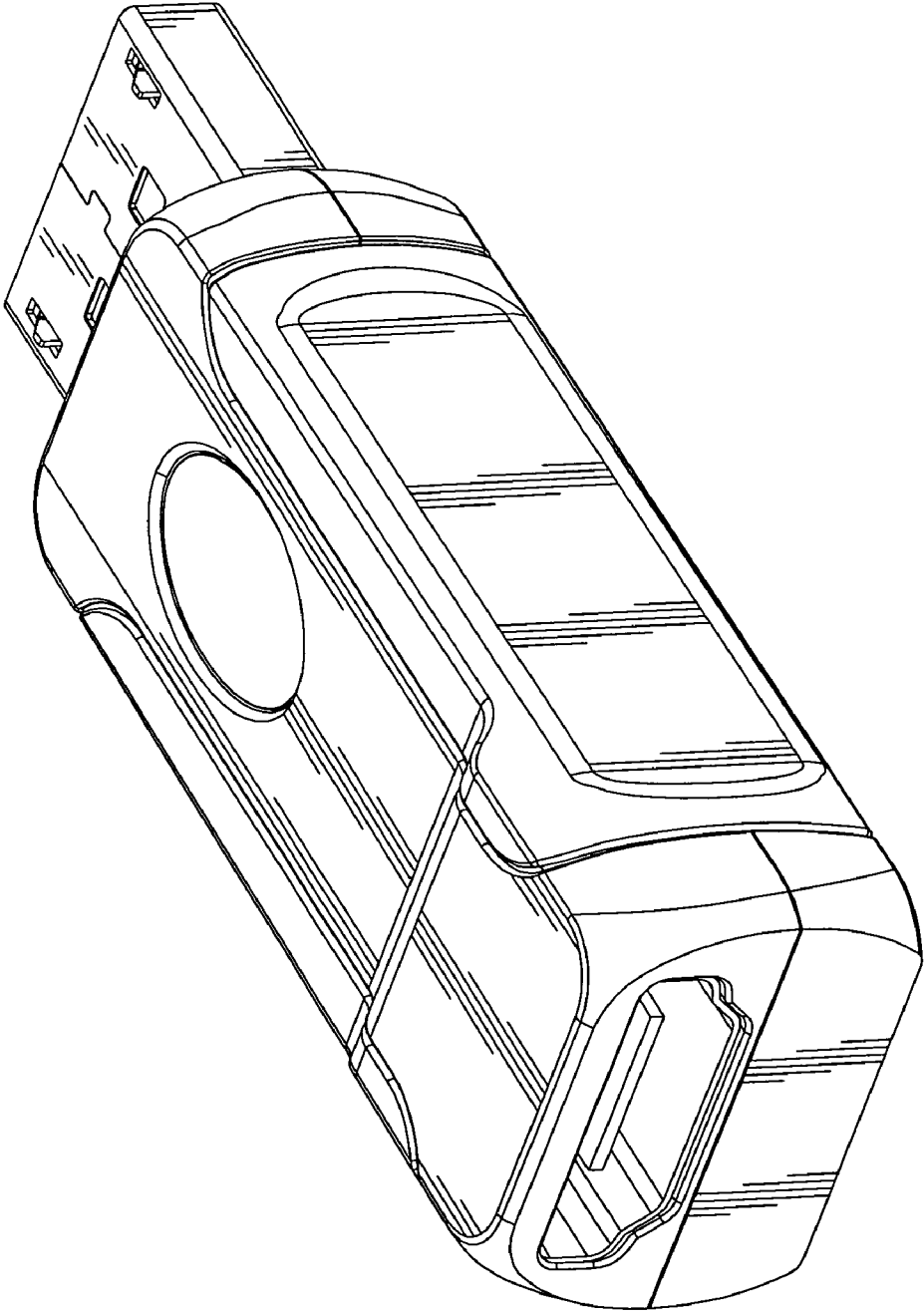


FIG. 8