



US00D809412S

(12) **United States Design Patent**
Henry

(10) **Patent No.:** **US D809,412 S**
(45) **Date of Patent:** **** Feb. 6, 2018**

(54) **SIGNALLING APPARATUS AND DEVICE**

6,359,835 B1 * 3/2002 Gayl G10K 9/125
181/142
9,217,392 B2 * 12/2015 Graber A01G 13/08
9,759,414 B2 * 9/2017 West F21V 23/0428

(71) Applicant: **Cerberus Black Limited**, Reigate,
Surrey (GB)

(72) Inventor: **Matthew Henry**, West Sussex (GB)

(73) Assignee: **Cerberus Black Limited**, Reigate
Surrey (GB)

(**) Term: **14 Years**

(21) Appl. No.: **29/525,865**

(22) Filed: **May 4, 2015**

(30) **Foreign Application Priority Data**

Apr. 8, 2015 (EM) 002677237-0001

(51) **LOC (11) Cl.** **10-05**

(52) **U.S. Cl.**
USPC **D10/116.1**; D22/199

(58) **Field of Classification Search**
USPC D22/199; D10/116.1; D26/37-38
CPC F41J 5/10; F21V 23/0428; G10K 9/125;
A01G 13/08; F41H 13/0081
See application file for complete search history.

(56) **References Cited**

U.S. PATENT DOCUMENTS

4,835,621 A * 5/1989 Black F41J 5/10
352/95
5,859,915 A * 1/1999 Norris F41H 13/0081
381/75

OTHER PUBLICATIONS

http://www.signallightgun.com/aviation_lamp.php 2012.*
<https://www.astronics.com/productinfo?productgroup=Airfield%20Lighting&subproduct=Misc.%20Equipment&subitem=Tower%20Equipment#> 2016.*

* cited by examiner

Primary Examiner — George D. Kirschbaum
(74) *Attorney, Agent, or Firm* — Bay Slate IP, LLC

(57) **CLAIM**

The ornamental design for a signalling apparatus and device, as shown and described.

DESCRIPTION

FIG. 1 is a side view showing my new design;
FIG. 2 is a side perspective view;
FIG. 3 is a front side perspective view;
FIG. 4 is a front view;
FIG. 5 is a back side perspective view;
FIG. 6 is a back perspective view; and,
FIG. 7 is a top view.

1 Claim, 7 Drawing Sheets

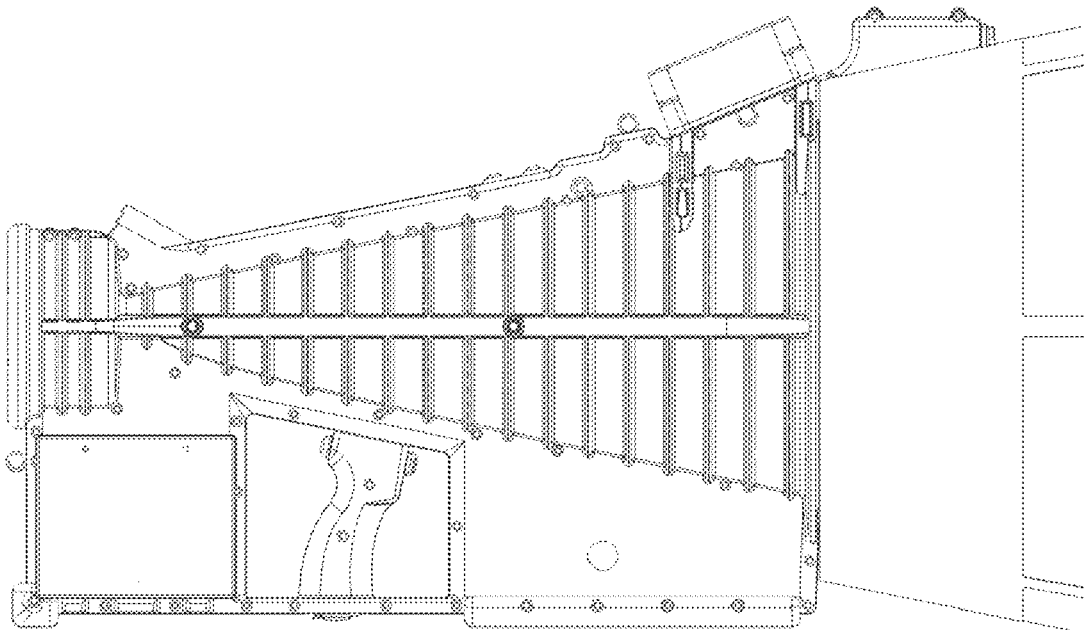


FIG. 1

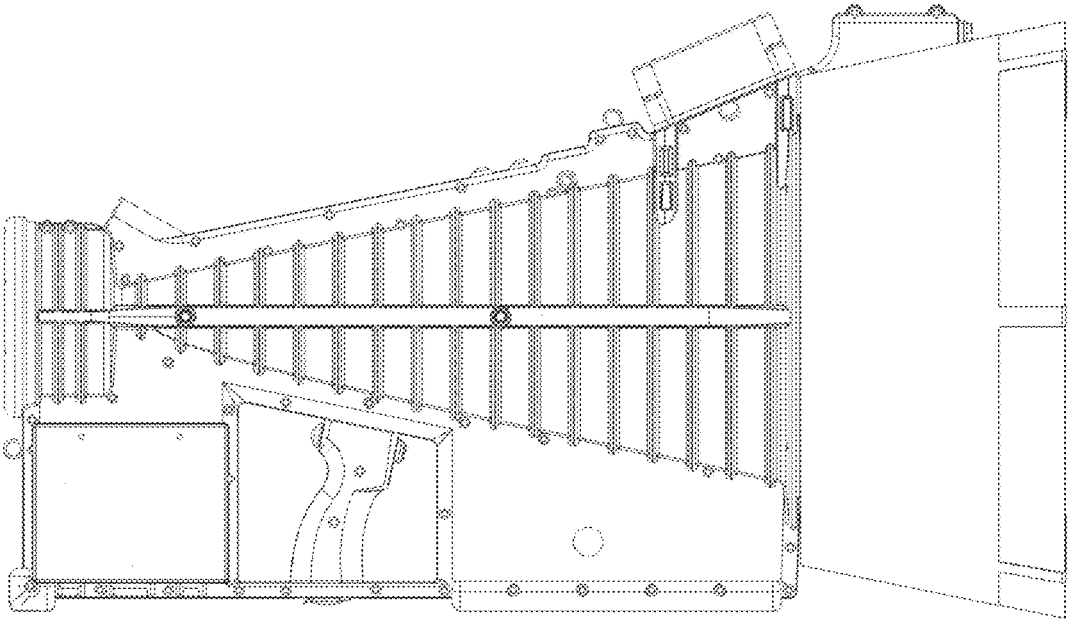


FIG. 2

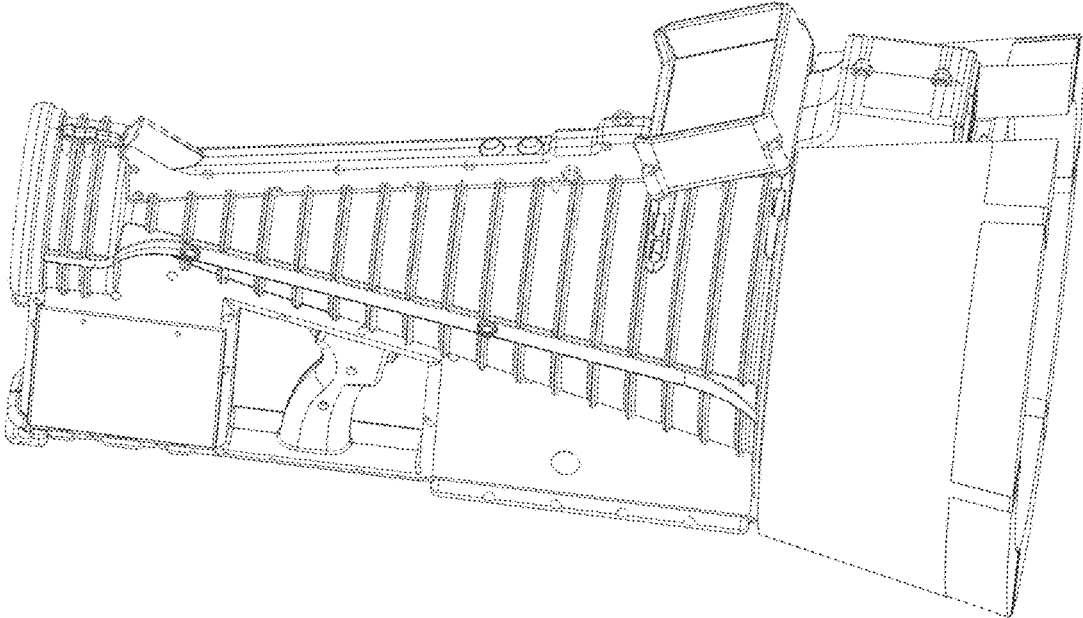


FIG. 3

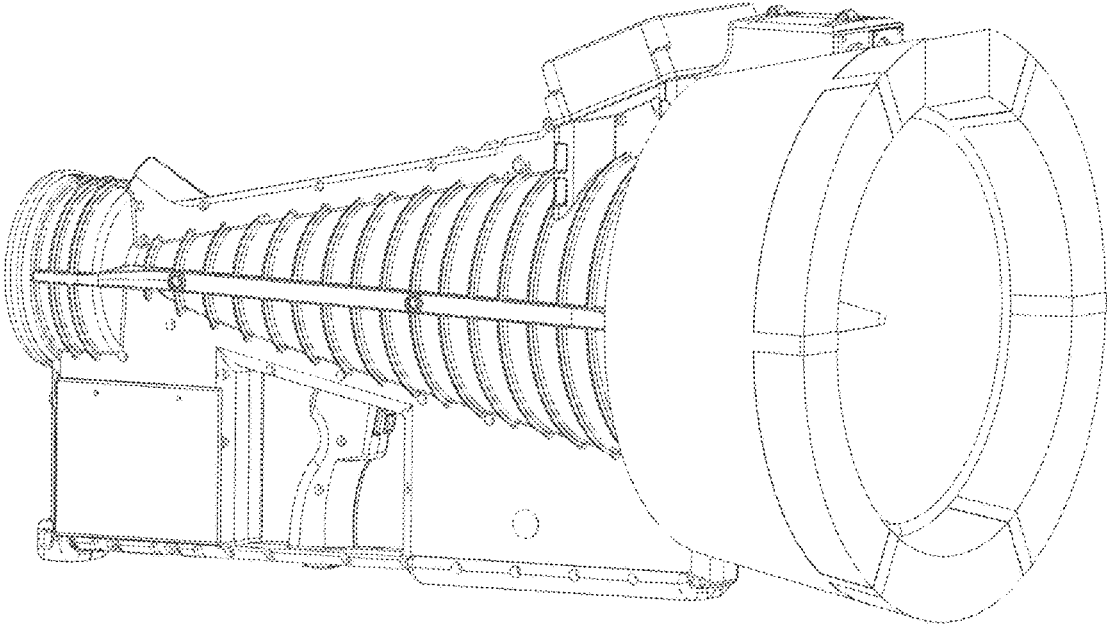


FIG. 4

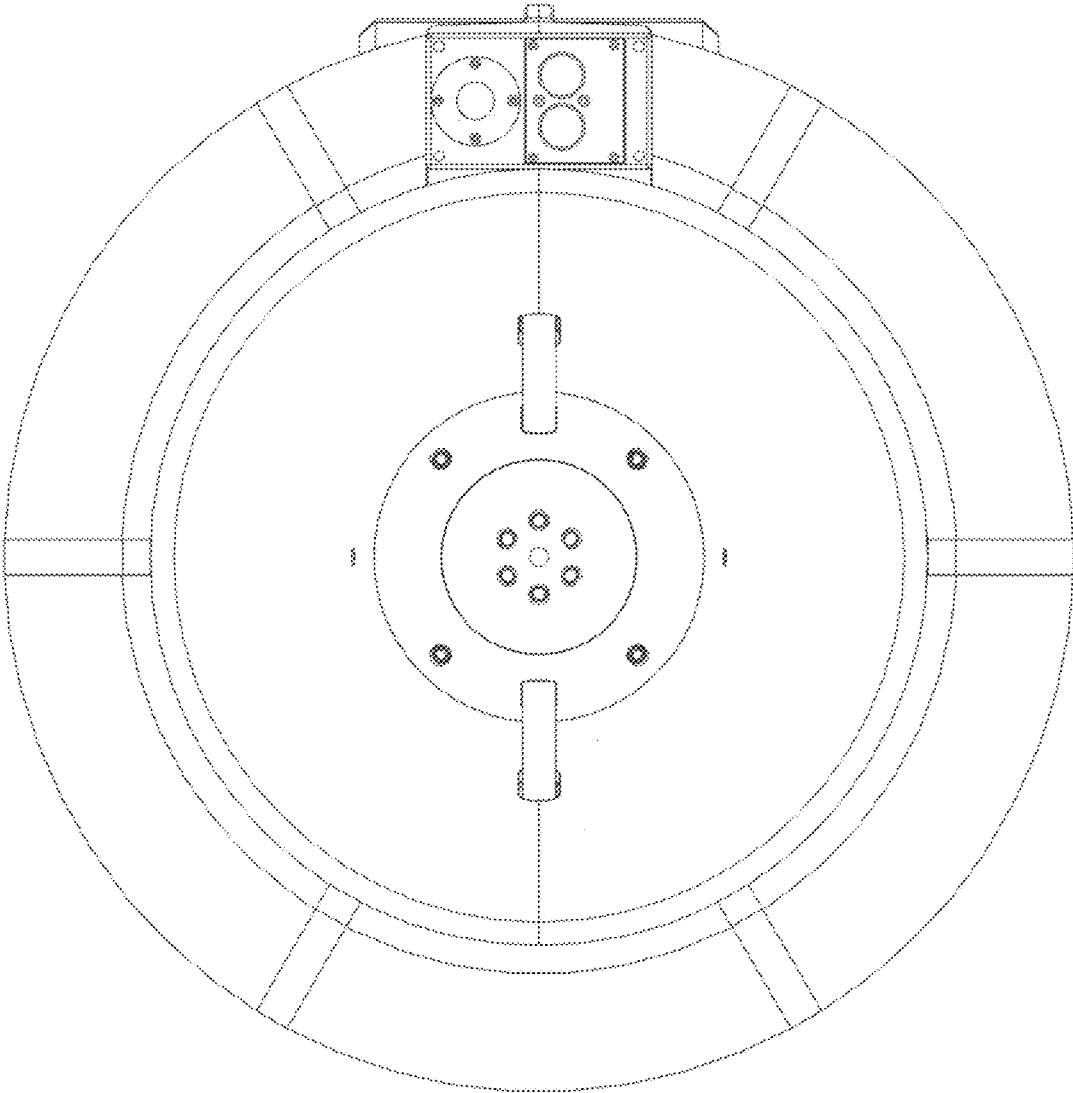


FIG. 5

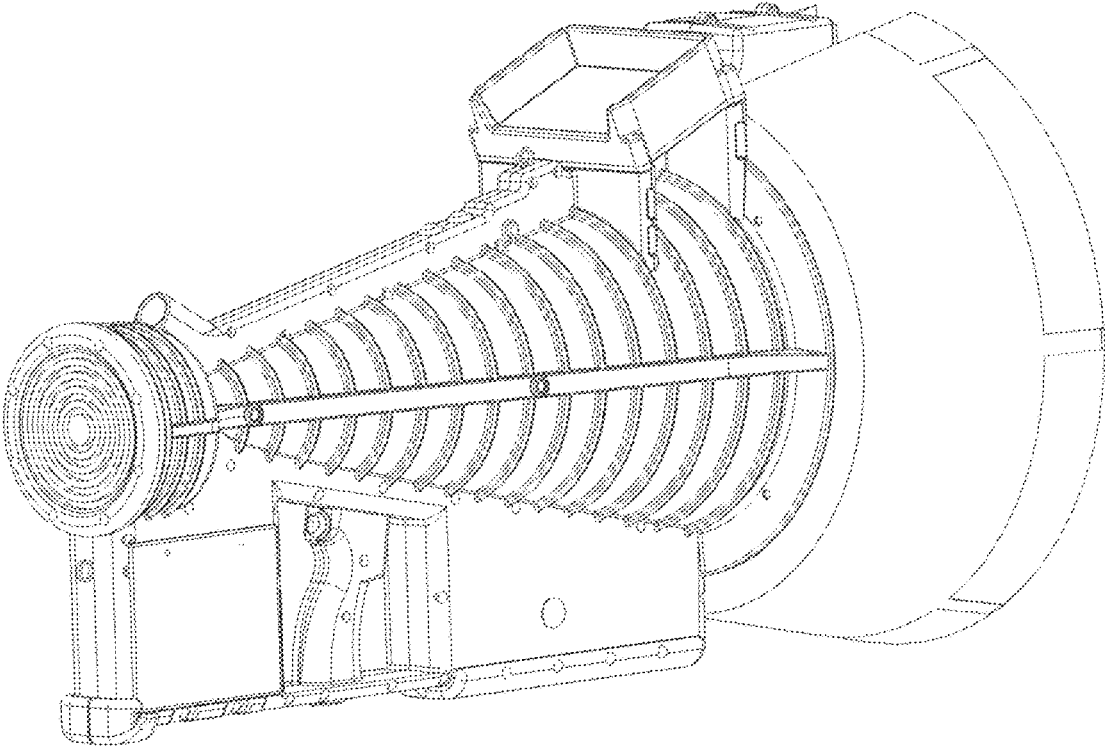


FIG. 6

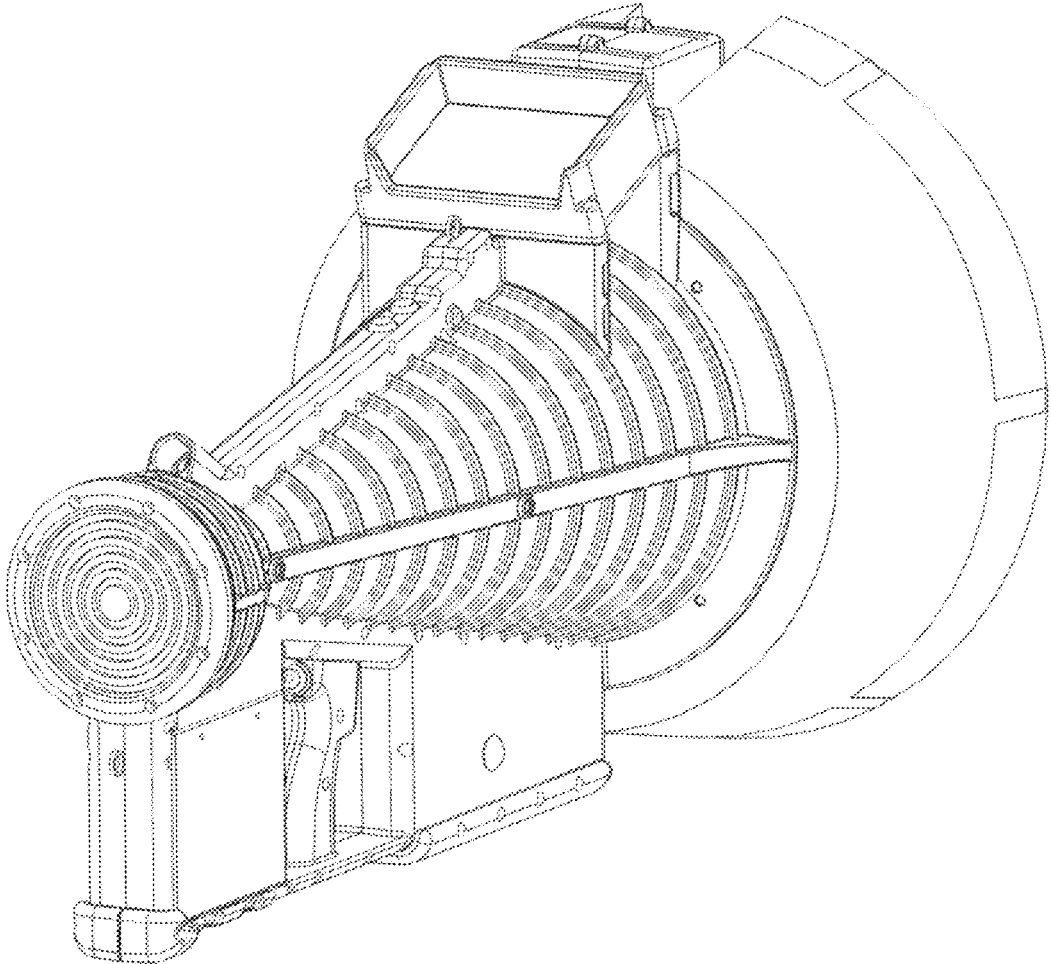


FIG. 7

