

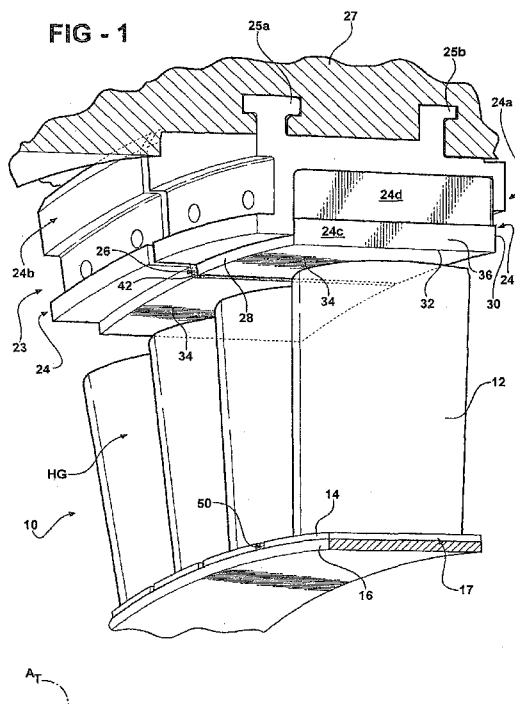


- (51) International Patent Classification:
F01D 11/00 (2006.01) F01D 5/22 (2006.01)
F01D 5/28 (2006.01) F16J 15/02 (2006.01)
- (21) International Application Number:
PCT/US2009/000383
- (22) International Filing Date:
22 January 2009 (22.01.2009)
- (25) Filing Language: English
- (26) Publication Language: English
- (30) Priority Data:
12/101,412 11 April 2008 (11.04.2008) US
- (71) Applicant (for all designated States except US):
SIEMENS ENERGY, INC. [US/US]; 4400 Alafaya
Trail, Orlando, FL 32826-2399 (US).
- (72) Inventors; and
- (75) Inventors/Applicants (for US only): CAMPBELL,
Christian, X. [US/US]; 476 Canary Island Court, Orlan-
do, FL 32828 (US). MERRILL, Gary, B. [US/US];
2413 Flowering Dogwood Drive, Orlando, FL 32828
(US).

- (74) Agents: SWANSON, Erik, C. et al.; Siemens Corpora-
tion- Intellectual Property Dept., 170 Wood Avenue
South, Iselin, NJ 08830 (US).
- (81) Designated States (unless otherwise indicated, for every
kind of national protection available): AE, AG, AL, AM,
AO, AT, AU, AZ, BA, BB, BG, BH, BR, BW, BY, BZ,
CA, CH, CN, CO, CR, CU, CZ, DE, DK, DM, DO, DZ,
EC, EE, EG, ES, FI, GB, GD, GE, GH, GM, GT, HN,
HR, HU, ID, IL, IN, IS, JP, KE, KG, KM, KN, KP, KR,
KZ, LA, LC, LK, LR, LS, LT, LU, LY, MA, MD, ME,
MG, MK, MN, MW, MX, MY, MZ, NA, NG, NI, NO,
NZ, OM, PG, PH, PL, PT, RO, RS, RU, SC, SD, SE, SG,
SK, SL, SM, ST, SV, SY, TJ, TM, TN, TR, TT, TZ, UA,
UG, US, UZ, VC, VN, ZA, ZM, ZW.
- (84) Designated States (unless otherwise indicated, for every
kind of regional protection available): ARIPO (BW, GH,
GM, KE, LS, MW, MZ, NA, SD, SL, SZ, TZ, UG, ZM,
ZW), Eurasian (AM, AZ, BY, KG, KZ, MD, RU, TJ,
TM), European (AT, BE, BG, CH, CY, CZ, DE, DK, EE,
ES, FI, FR, GB, GR, HR, HU, IE, IS, IT, LT, LU, LV,
MC, MK, MT, NL, NO, PL, PT, RO, SE, SI, SK, TR),
OAPI (BF, BJ, CF, CG, CI, CM, GA, GN, GQ, GW, ML,
MR, NE, SN, TD, TG).

[Continued on next page]

(54) Title: SEALING ARRANGEMENT FOR TURBINE ENGINE HAVING CERAMIC COMPONENTS



(57) Abstract: A sealing arrangement (40, 140, 240, 340) for use in a turbine engine having ceramic components. The sealing arrangement is retained in a seal gap (26) formed between adjacent segments (240) and is compliant to accommodate variations in the size of the seal gap (26) as the adjacent segments (240) move relative to one another.

WO 2009/126191 A3



Published:

(88) Date of publication of the international search report:

10 December 2009

- *with international search report (Art. 21(3))*
- *before the expiration of the time limit for amending the claims and to be republished in the event of receipt of amendments (Rule 48.2(h))*

INTERNATIONAL SEARCH REPORT

International application No
PCT/US2009/000383

A. CLASSIFICATION OF SUBJECT MATTER
 INV. F01D5/28 F01D5/22 F01D11/00 F16J15/02

According to International Patent Classification (IPC) or to both national classification and IPC

B. FIELDS SEARCHED
 Minimum documentation searched (classification system followed by classification symbols)
 F01D F16J F02C

Documentation searched other than minimum documentation to the extent that such documents are included in the fields searched

Electronic data base consulted during the international search (name of data base and, where practical, search terms used)
 EPO-Internal

C. DOCUMENTS CONSIDERED TO BE RELEVANT

Category*	Citation of document, with indication, where appropriate, of the relevant passages	Relevant to claim No.
X	US 2005/242526 A1 (DAHLKE STEFAN [DE] ET AL) 3 November 2005 (2005-11-03) paragraph [0002] paragraph [0023] figures 1,2,4	1,2
X	US 6 968 615 B1 (MORE D GREGORY [US] ET AL) 29 November 2005 (2005-11-29) column 1, line 25 - line 30 column 1, line 64 - line 66 column 2, line 13 - line 17 column 2, line 27 - line 30 column 2, line 38 - line 41 column 3, line 13 - line 14 figures 3-5	1,2, 10-12, 17-20
	----- -/-- -----	

Further documents are listed in the continuation of Box C.

See patent family annex.

- * Special categories of cited documents :
- *A* document defining the general state of the art which is not considered to be of particular relevance
 - *E* earlier document but published on or after the international filing date
 - *L* document which may throw doubts on priority claim(s) or which is cited to establish the publication date of another citation or other special reason (as specified)
 - *O* document referring to an oral disclosure, use, exhibition or other means
 - *P* document published prior to the international filing date but later than the priority date claimed
 - *T* later document published after the international filing date or priority date and not in conflict with the application but cited to understand the principle or theory underlying the invention
 - *X* document of particular relevance; the claimed invention cannot be considered novel or cannot be considered to involve an inventive step when the document is taken alone
 - *Y* document of particular relevance; the claimed invention cannot be considered to involve an inventive step when the document is combined with one or more other such documents, such combination being obvious to a person skilled in the art.
 - *8* document member of the same patent family

Date of the actual completion of the international search

13 October 2009

Date of mailing of the international search report

23/10/2009

Name and mailing address of the ISA/
 European Patent Office, P.B. 5818 Patentlaan 2
 NL - 2280 HV Rijswijk
 Tel. (+31-70) 340-2040,
 Fax: (+31-70) 340-3016

Authorized officer

Rapenne, Lionel

INTERNATIONAL SEARCH REPORT

International application No
PCT/US2009/000383

C(Continuation). DOCUMENTS CONSIDERED TO BE RELEVANT

Category*	Citation of document, with indication, where appropriate, of the relevant passages	Relevant to claim No.
X	WO 03/032420 A (FORSCHUNGSZENTRUM JUELICH GMBH [DE]; BRAM MARTIN [DE]; RECKERS STEPHAN) 17 April 2003 (2003-04-17) figures 1-4 page 1, line 12 - line 14 page 3, line 12 - line 14 page 3, line 28 page 5, line 18 - line 20	1,2,17
X	US 5 509 669 A (WOLFE CHRISTOPHER E [US] ET AL) 23 April 1996 (1996-04-23) column 1, line 11 - line 14 column 1, line 37 - line 39 column 1, line 58 - line 60 column 2, line 19 - line 21 column 3, line 18 - line 48 figures 2-4	1-20
X	EP 1 591 725 A (SIEMENS AG [DE]) 2 November 2005 (2005-11-02) figures 5,7,14-16 paragraph [0008] paragraph [0017]	1,2,17
A	JP 10 103014 A (TOKYO SHIBAURA ELECTRIC CO) 21 April 1998 (1998-04-21) figure 5	1-20

INTERNATIONAL SEARCH REPORT

Information on patent family members

International application No PCT/US2009/000383

Patent document cited in search report	Publication date	Publication date	Patent family member(s)	Publication date
US 2005242526	A1	03-11-2005	NONE	
US 6968615	B1	29-11-2005	NONE	
WO 03032420	A	17-04-2003	AU 2002336055 B2 EP 1576685 A2 JP 2005511795 T US 2004195782 A1	28-02-2008 21-09-2005 28-04-2005 07-10-2004
US 5509669	A	23-04-1996	NONE	
EP 1591725	A	02-11-2005	US 2005242525 A1	03-11-2005
JP 10103014	A	21-04-1998	NONE	