



US00D925627S

(12) **United States Design Patent**  
**Sewell et al.**

(10) **Patent No.:** **US D925,627 S**  
(45) **Date of Patent:** **\*\* Jul. 20, 2021**

(54) **MICROTRENCHER BLADE**

FOREIGN PATENT DOCUMENTS

(71) Applicant: **The Charles Machine Works, Inc.,**  
Perry, OK (US)

KR 301017001.0000 \* 7/2019

(72) Inventors: **Cody L. Sewell**, Perry, OK (US);  
**Michael C. Walgren**, Lake Havasu  
City, AZ (US)

OTHER PUBLICATIONS

Ditch Witch Catalog, Earliest available date Dec. 31, 2016 [Online],  
[Site visited Jul. 1, 2020] Available From Internet, URL:<https://  
www.ditchwitch.com/catalog/diggingsystems/html5/index.html?  
page=68&noflash> (Year: 2016).\*

(73) Assignee: **The Charles Machine Works, Inc.,**  
Perry, OK (US)

*Primary Examiner* — Sheryl Lane  
*Assistant Examiner* — Mark T. Philipps

(\*\*) Term: **15 Years**

(74) *Attorney, Agent, or Firm* — Tomlinson McKinstry,  
P.C.

(21) Appl. No.: **29/681,544**

(57) **CLAIM**

The ornamental design for a microtrencher blade, as shown  
and described.

(22) Filed: **Feb. 26, 2019**

(51) **LOC (13) Cl.** ..... **15-09**

(52) **U.S. Cl.**  
USPC ..... **D15/139**

(58) **Field of Classification Search**

USPC ..... D15/77, 133, 138, 139; D8/66, 5, 8, 9,  
D8/20; 144/176, 218, 231, 235, 241,  
144/294; 83/840; 241/194, 294  
CPC ..... A01G 23/067; B02C 4/305; B02C 7/12;  
B02C 18/18; B02C 13/28; B02C 13/2804;  
B27G 13/00; B27G 13/10; B27L 11/00;  
B26D 2001/0046; B26D 2001/006; B26D  
2001/0066; B27B 3/30; B27B 3/28;  
B23D 45/00; B23D 45/12; B23D 45/16;  
B23D 45/003

See application file for complete search history.

**DESCRIPTION**

FIG. 1 is a front view of a microtrencher blade showing our  
new design, with the rear view being identical thereto;  
FIG. 2 is a front, top and left perspective view thereof;  
FIG. 3 is a rear top and right perspective view thereof;  
FIG. 4 is a rear, top and left perspective view thereof;  
FIG. 5 is a side view thereof;  
FIG. 6 is an enlarged fragmentary view thereof, taken from  
FIG. 5;  
FIG. 7 is an enlarged front fragmentary view of the tooth  
portion of the microtrencher blade taken from FIG. 1;  
FIG. 8 is an enlarged rear fragmentary view thereof; and,  
FIG. 9 is an enlarged fragmentary view thereof, taken from  
FIG. 2.

The broken line elements are included for the purposes of  
illustrating portions of the microtrencher blade and form no  
part of the claimed design. Broken lines in alternating  
dot-dash format represent an unclaimed border of the  
claimed design. The broken lines in alternating Long Dash-  
Short Dash format in FIGS. 1, 2, and 5 represent callout  
locations for the expanded fragmentary views thereof.

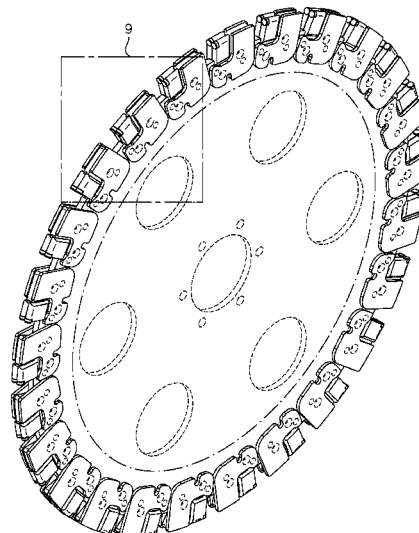
(56) **References Cited**

U.S. PATENT DOCUMENTS

2,675,603 A \* 4/1954 Goehle ..... B23D 61/04  
407/33  
3,287,793 A \* 11/1966 Battersby ..... B23D 61/02  
407/61

(Continued)

**1 Claim, 7 Drawing Sheets**



(56)

References Cited

U.S. PATENT DOCUMENTS

3,818,561 A *	6/1974	Montana	B23D 61/06	2002/0002892 A1 *	1/2002	DiSabatino	A01G 23/091
			407/46				83/835
4,011,783 A *	3/1977	Mobley	B23D 61/021	2003/0029297 A1 *	2/2003	Haughton	B27B 33/08
			83/846				83/853
4,114,494 A *	9/1978	Budke	B23D 61/021	2007/0095190 A1 *	5/2007	Asada	B23D 61/04
			83/835				83/848
4,222,298 A *	9/1980	James	B23D 61/021	2008/0017009 A1 *	1/2008	Setliff	B23D 61/04
			144/218				83/848
4,563,929 A *	1/1986	Ringlee	A01G 23/091	2008/0142118 A1 *	6/2008	Corfe	A01G 23/091
			144/241				144/34.1
4,604,933 A *	8/1986	Leshner	B23D 61/021	2010/0170379 A1 *	7/2010	MacLennan	B23D 65/00
			83/839				83/840
D293,074 S *	12/1987	Inoue	D15/133	2011/0100510 A1 *	5/2011	Hinchliff	B27G 13/10
5,129,296 A *	7/1992	Wayne	B23D 45/00				144/230
			144/218	2012/0132052 A1 *	5/2012	Chen	B23D 61/023
5,211,212 A *	5/1993	Carlson	A01G 23/091				83/838
			144/241	2013/0125724 A1 *	5/2013	MacLennan	B23D 61/021
5,647,264 A *	7/1997	Proulx	B23D 61/021				83/469
			83/840	2013/0161428 A1 *	6/2013	Hongo	B02C 13/2804
5,758,561 A *	6/1998	Curtsinger	B23D 61/025				241/73
			83/676	2014/0196818 A1 *	7/2014	Weinberg	A01G 23/067
6,364,227 B1 *	4/2002	Dorscht	B02C 13/2804				144/235
			241/197	2014/0260878 A1 *	9/2014	Bird	B23D 61/025
6,386,469 B1 *	5/2002	Meister	B26D 7/2614				83/835
			241/294	2015/0083275 A1 *	3/2015	Paumier	B27B 33/20
D459,171 S *	6/2002	Hong	D8/20				144/24.12
D492,170 S *	6/2004	Auger	D8/20	2016/0044876 A1 *	2/2016	Green	B23D 61/06
D559,638 S *	1/2008	Park	D15/139				144/235
7,815,136 B2 *	10/2010	Arnston	B02C 18/146	2016/0135388 A1 *	5/2016	Leonardi	A01G 23/067
			241/294				144/235
8,898,913 B1 *	12/2014	Lones	B28D 1/04	2017/0012572 A1 *	1/2017	Takano	B23D 45/12
			30/375	2017/0120355 A1 *	5/2017	Brutscher	B23D 61/025
D796,291 S *	9/2017	Sewell	D15/133	2017/0350093 A1 *	12/2017	Sewell	E02F 5/08
D796,292 S *	9/2017	Sewell	D15/133	2018/0215031 A1 *	8/2018	Sundberg	F16B 43/00
10,704,227 B2 *	7/2020	Sewell	E02F 5/08	2018/0272447 A1 *	9/2018	Ando	B23D 61/04
10,751,817 B1 *	8/2020	Smith	B23D 63/12	2018/0290149 A1 *	10/2018	Ver Steeg	B02C 18/18
2002/0000150 A1 *	1/2002	Kurelek	B23D 61/04	2019/0001424 A1 *	1/2019	Baratta	B23D 61/023
			83/835	2019/0240861 A1 *	8/2019	Daining	A01G 23/067
				2020/0047267 A1 *	2/2020	Nakano	B23D 61/025
				2020/0139463 A1 *	5/2020	Bird	B23D 61/021
				2020/0222998 A1 *	7/2020	Hall	B23D 61/021
				2020/0316700 A1 *	10/2020	Elliston	B23D 61/021

\* cited by examiner

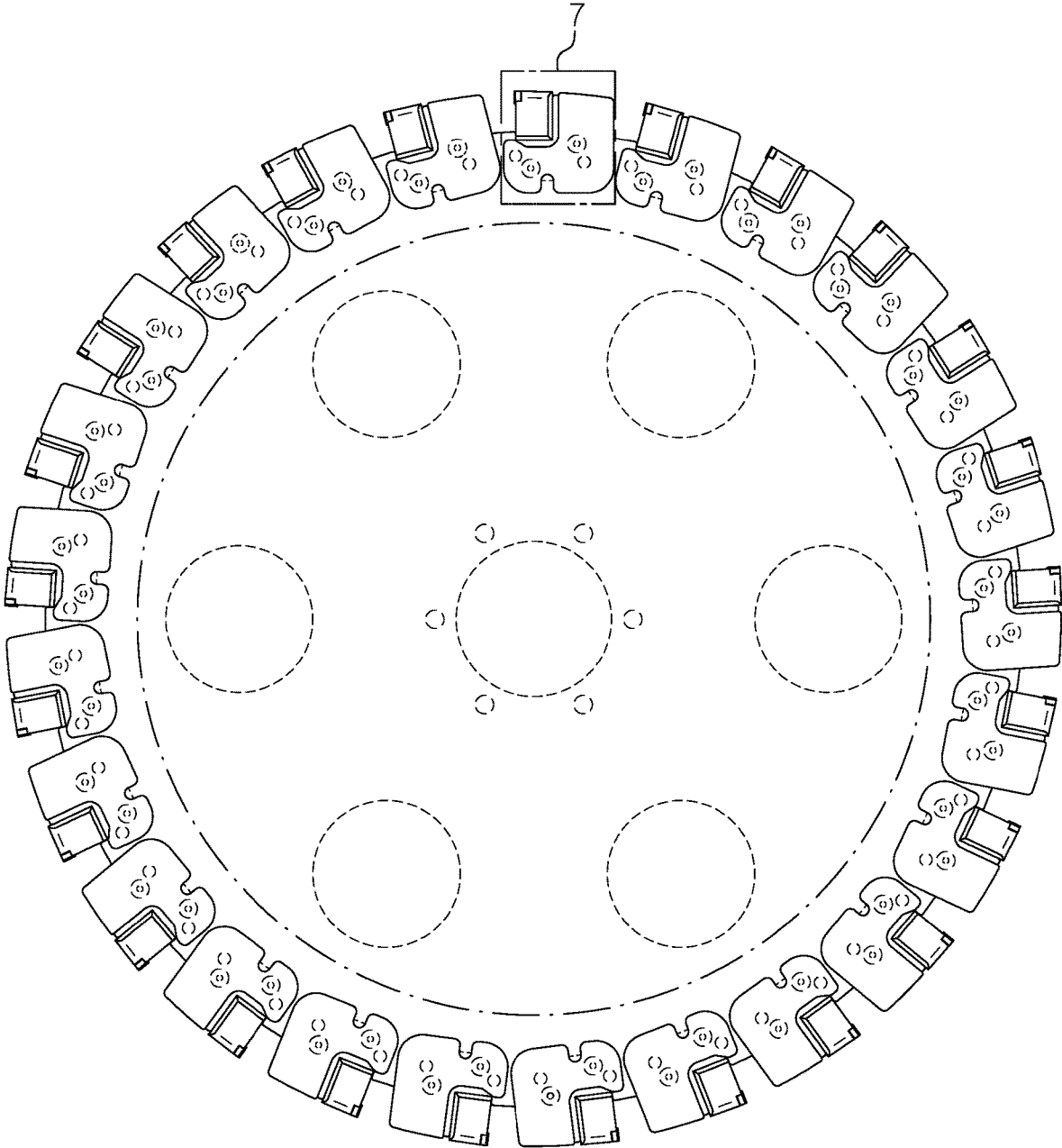


FIG. 1

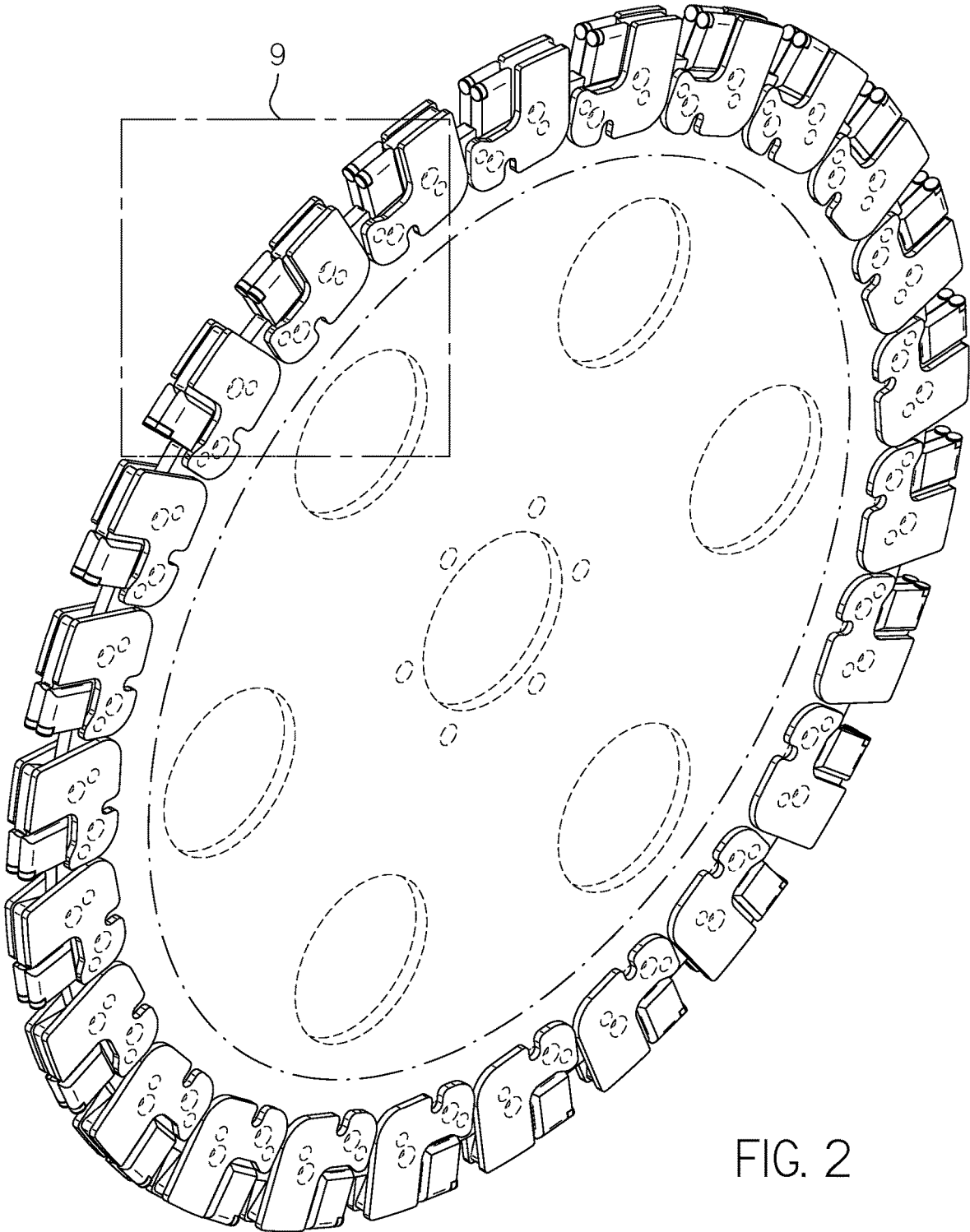


FIG. 2

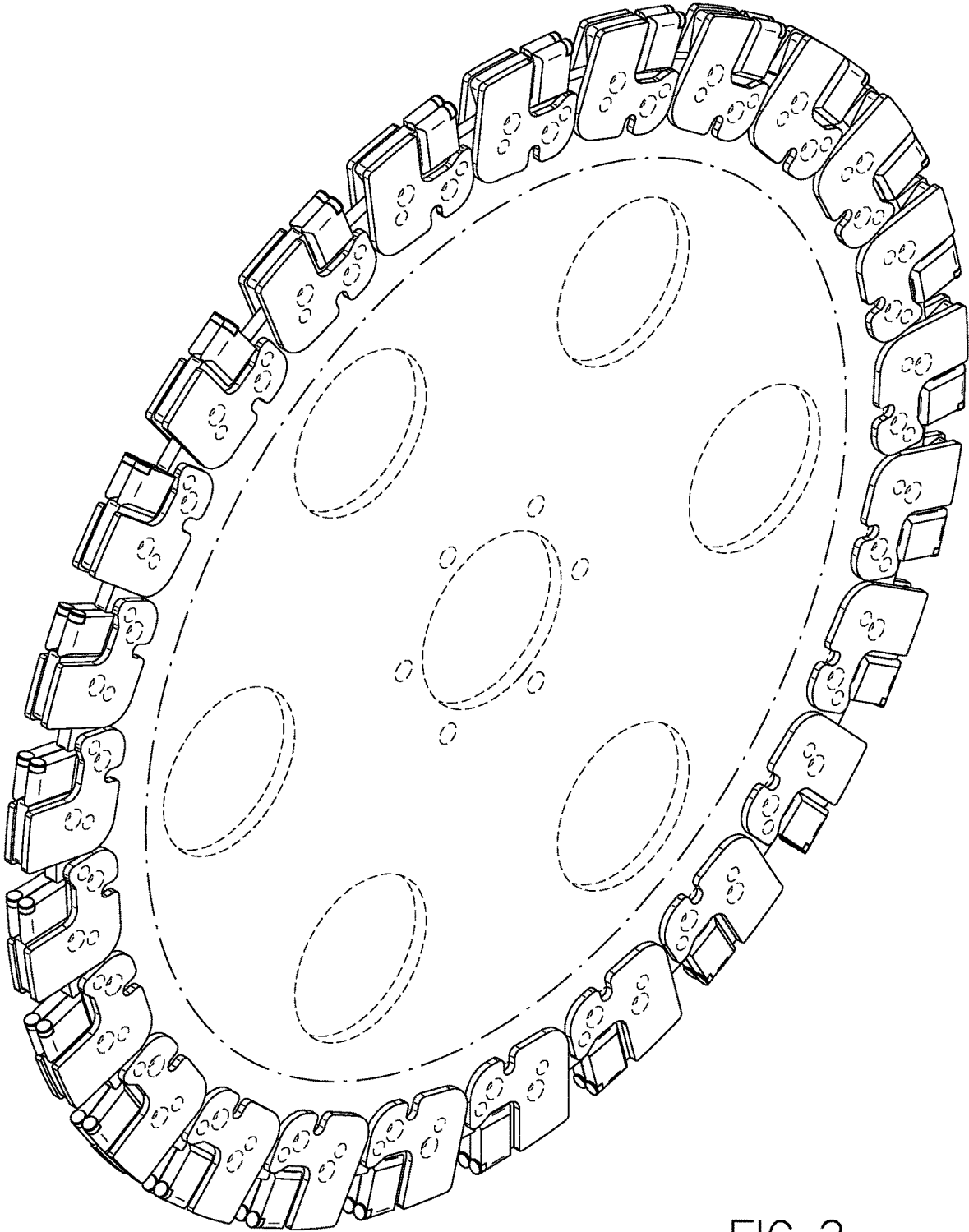


FIG. 3

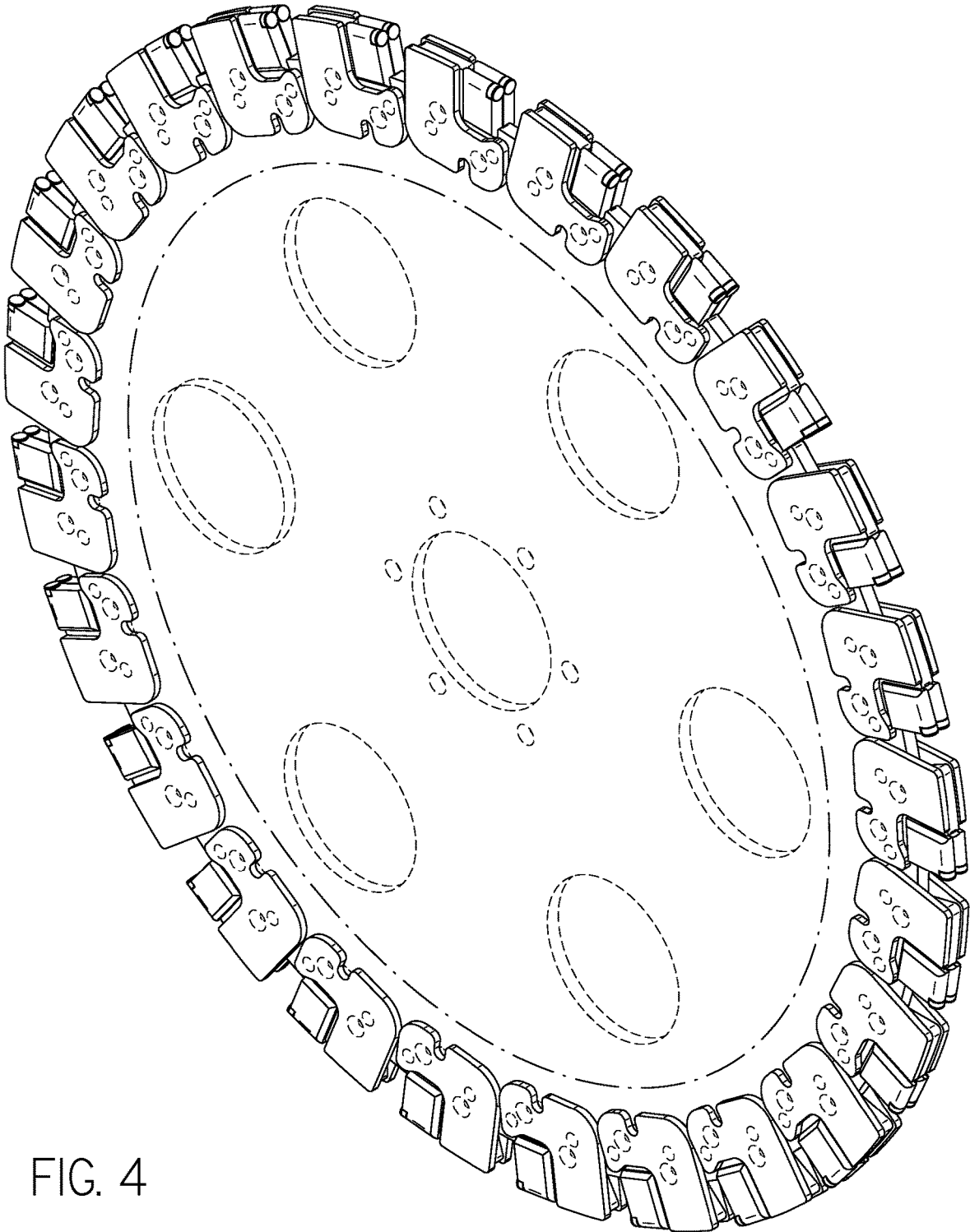


FIG. 4

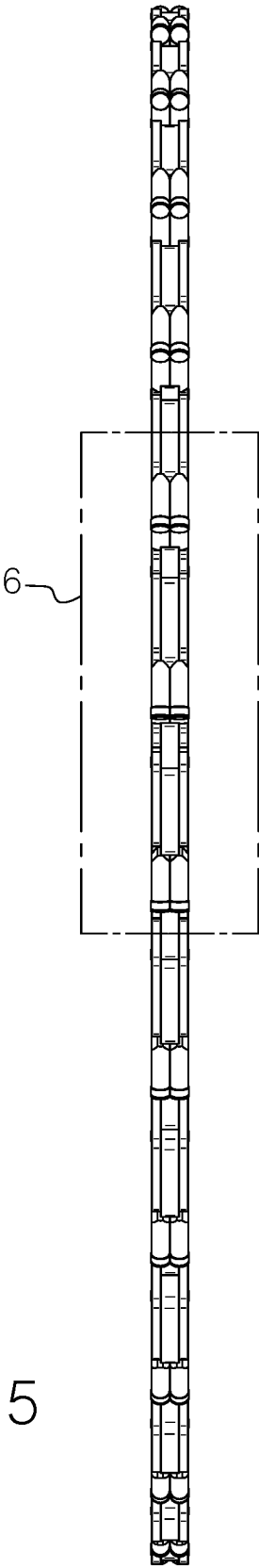


FIG. 5

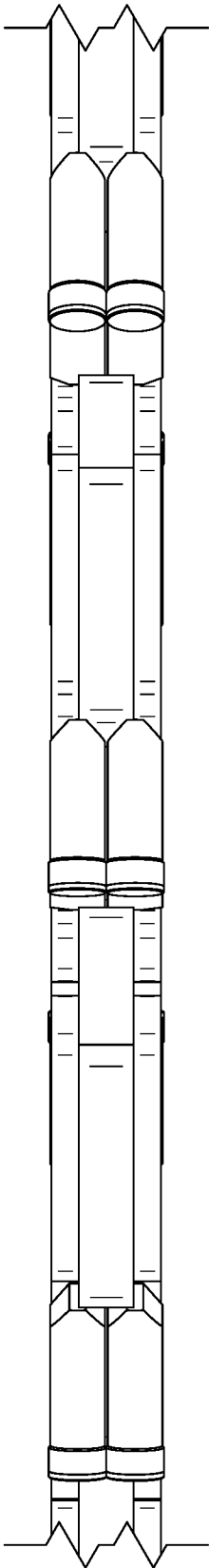


FIG. 6

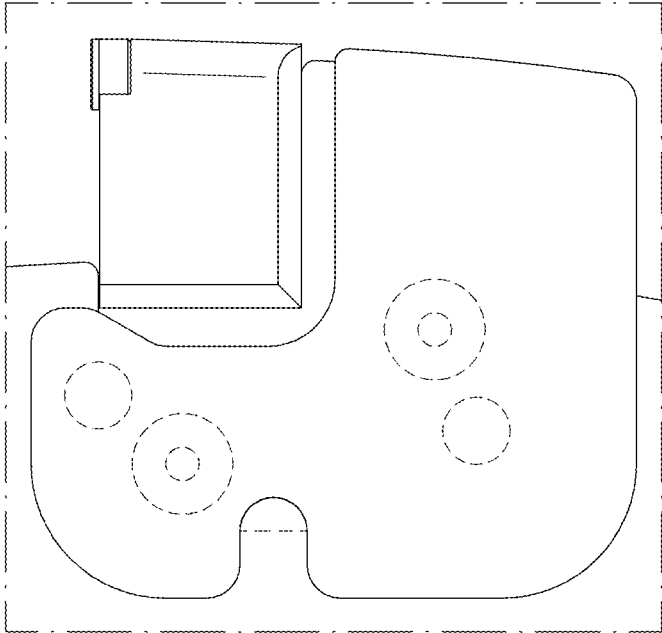


FIG. 7

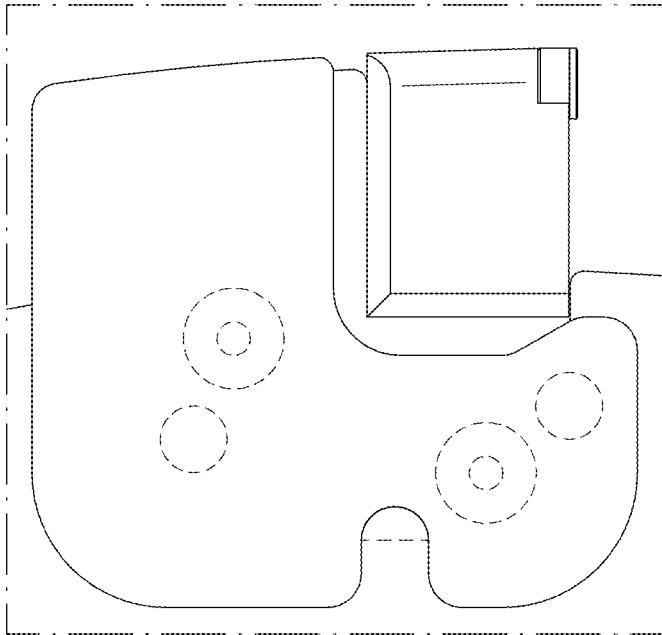


FIG. 8



FIG. 9

