



US00D757882S

(12) **United States Design Patent**
Biedenbach et al.

(10) **Patent No.:** **US D757,882 S**

(45) **Date of Patent:** **** May 31, 2016**

- (54) **GUN SLIDE GRIP**
- (71) Applicant: **Arachnigrip LLC**, Parker, CO (US)
- (72) Inventors: **Robert Colton Biedenbach**, Parker, CO (US); **Donald Hoekendorf**, Parker, CO (US)
- (73) Assignee: **Arachnigrip LLC**, Parker, CO (US)
- (**) Term: **14 Years**
- (21) Appl. No.: **29/511,823**
- (22) Filed: **Dec. 15, 2014**
- (51) **LOC (10) Cl.** **22-01**
- (52) **U.S. Cl.**
USPC **D22/108**
- (58) **Field of Classification Search**
USPC D22/108; D25/190
CPC F41C 3/14; F41C 3/16; F41C 3/04
See application file for complete search history.

- 7,329,232 B2 * 2/2008 Lipshaw A61F 13/06
128/845
- 7,625,625 B2 12/2009 Rios et al.
- 7,897,233 B2 3/2011 Esposito et al.
- D696,784 S * 12/2013 Ibrahim D24/190
- D702,308 S 4/2014 Glock
- D731,069 S * 6/2015 Bialek D24/190
- 2003/0027475 A1 2/2003 Yu

(Continued)

OTHER PUBLICATIONS

www.AR15.com, Glock non skid tape, Jul. 15, 2014.

(Continued)

Primary Examiner — Michael A Pratt

(74) *Attorney, Agent, or Firm* — Marsh Fischmann & Breyfogle LLP

CLAIM

(57) The ornamental design for the gun slide grip, as shown and described.

DESCRIPTION

FIG. 1 is a front view of the gun slide grip.
 FIG. 2 is a rear view of the gun slide grip.
 FIG. 3 is a left side view of the gun slide grip.
 FIG. 4 is a right side view of the gun slide grip.
 FIG. 5 is a top view of the gun slide grip.
 FIG. 6 is a side perspective view of the gun slide grip disposed on a gun slide.
 FIG. 7 is a top view of the gun slide grip disposed on a gun slide; and,
 FIG. 8 is a side view of the gun slide grip disposed on a gun slide.

The broken lines depict environmental and non-claimed subject matter and form no part of the claimed design.
 The bottom view of the gun slide grip is omitted as being merely duplicative of the provided Figures.

1 Claim, 3 Drawing Sheets

- (56) **References Cited**
U.S. PATENT DOCUMENTS
- 2,718,033 A 9/1955 Burke
- 4,145,065 A 3/1979 Kupka
- 4,310,509 A 1/1982 Berglund
- 4,460,187 A 7/1984 Shimizu
- 4,504,549 A 3/1985 Pines
- 4,568,566 A 2/1986 Tolentino
- 4,613,537 A 9/1986 Krupper
- 5,622,759 A 4/1997 Fuster
- 6,416,604 B1 7/2002 Nootbaar
- 6,755,350 B2 6/2004 Rochford et al.
- 6,783,692 B2 8/2004 Bhagwagar
- 6,855,651 B2 2/2005 Yu
- 7,014,910 B2 3/2006 Rochford et al.
- D560,750 S 1/2008 Potter



(56)

References Cited

U.S. PATENT DOCUMENTS

2003/0211900 A1 11/2003 Novak
2003/0232900 A1 12/2003 Irifune
2005/0181164 A1 8/2005 Piumarta et al.
2007/0178282 A1 8/2007 Miekka
2009/0162596 A1 6/2009 Rios et al.
2009/0162651 A1 6/2009 Rios et al.
2010/0183814 A1 7/2010 Rios et al.
2011/0072705 A1* 3/2011 Simpkins B25F 1/04
42/59
2011/0289812 A1 12/2011 Losinger
2013/0180152 A1* 7/2013 Speroni F41C 27/00
42/99
2013/0248089 A1 9/2013 Su et al.

2014/0047753 A1* 2/2014 Grossman F41A 3/66
42/72

OTHER PUBLICATIONS

www.ebay.com, Mak0 Fab Tactic-Skin Pistol Gun Slide Cover Anti Slip Grip Glock, Jul. 15, 2014.
www.xdtalk.com, Anybody use non-skid tape on their grips?, Jul. 15, 2014.
NRA, Police Pistol Combat Program Bulletin, Anti-Slip Tape on Slide Sides, Aug. 6, 2012.
www.americanrifleman.org, Handi-Racker Slide Assist Device, Jul. 15, 2014.

* cited by examiner



FIG. 1



FIG. 2

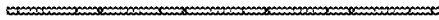


FIG. 3

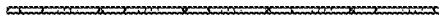


FIG. 4

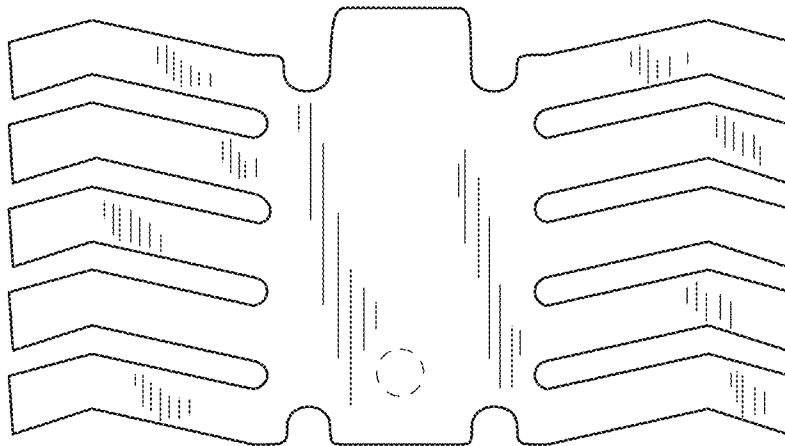


FIG. 5

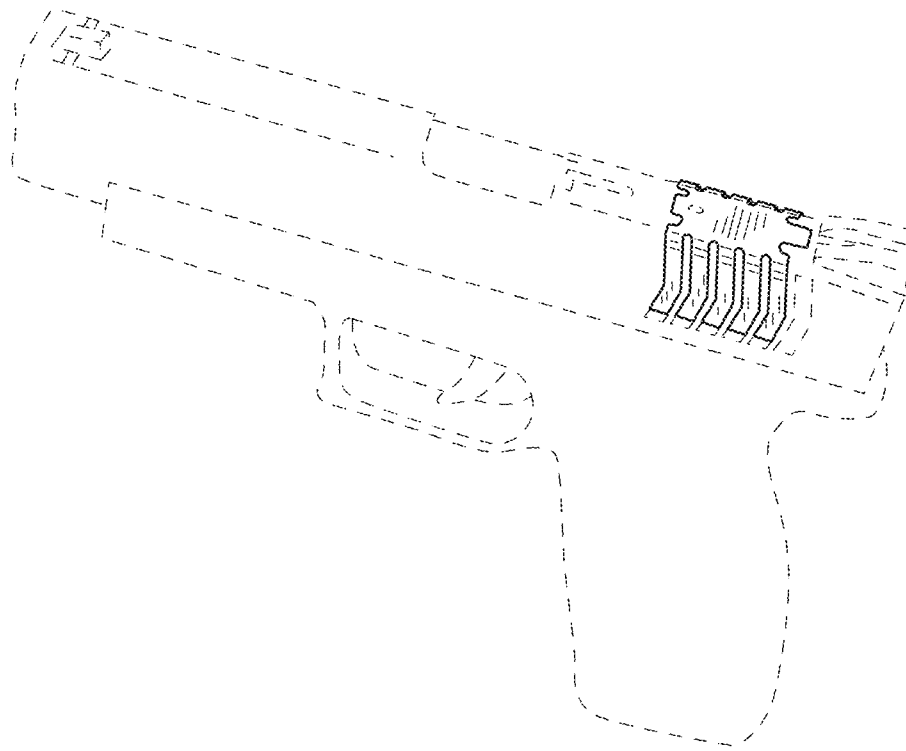


FIG.6



FIG.7

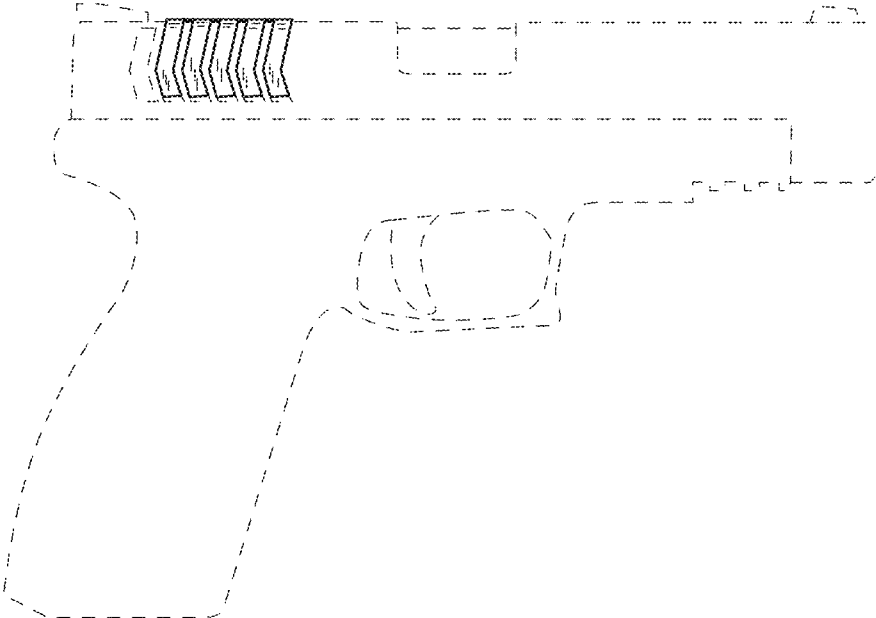


FIG.8