



US00D916142S

(12) **United States Design Patent** (10) **Patent No.:** **US D916,142 S**  
**Donadon et al.** (45) **Date of Patent:** **\*\* Apr. 13, 2021**

(54) **AGRICULTURAL MACHINE** A01B 61/048; A01B 5/04; A01B 49/027;  
A01C 7/208; A01C 7/18; A01C 7/00  
(71) Applicant: **MASCHIO GASPARDO S.P.A.**,  
Campodarsego (IT) See application file for complete search history.

(72) Inventors: **Gianfranco Donadon**, Concordia  
Sagittaria (IT); **Luigi Giovanni Bot**,  
Portogruaro (IT); **Raffaele Cian**,  
Campofornido (IT)

(73) Assignee: **MASCHIO GASPARDO S.P.A.**,  
Campodarsego (IT)

(\*\*) Term: **15 Years**

(21) Appl. No.: **35/505,013**

(22) Filed: **May 9, 2018**

(80) **Hague Agreement Data**

Int. Filing Date: **May 9, 2018**  
Int. Reg. No.: **DM/101131**  
Int. Reg. Date: **May 9, 2018**  
Int. Reg. Pub. Date: **Jun. 1, 2018**

(30) **Foreign Application Priority Data**

Nov. 10, 2017 (IT) ..... 402017000128796

(51) **LOC (13) Cl.** ..... **15-03**

(52) **U.S. Cl.**  
USPC ..... **D15/12**  
CPC ..... **A01C 7/18** (2013.01)

(58) **Field of Classification Search**  
USPC ..... D15/10, 12, 27, 28, 22, 26; 56/15.8,  
56/15.9; 172/210, 311, 456, 466, 481,  
172/484, 605, 626, 776, 507, 538, 518;  
280/411.1, 412, 413, 415 R, 482, 656;  
111/157, 170, 149, 139, 140, 900, 924  
CPC ..... A01B 73/065; A01B 73/005; A01B 73/00;  
A01B 73/02; A01B 73/04; A01B 73/06;  
A01B 49/06; A01B 49/00; A01B 61/044;

(56) **References Cited**

U.S. PATENT DOCUMENTS

4,070,974 A \* 1/1978 Stacy, Jr. .... A01C 5/06  
111/169  
5,158,411 A \* 10/1992 Kemmner ..... A01C 5/06  
111/131  
5,333,559 A \* 8/1994 Hodapp ..... A01B 49/06  
111/152  
5,396,851 A \* 3/1995 Beaujot ..... A01C 7/06  
111/187  
5,413,056 A \* 5/1995 Freed ..... A01B 13/025  
111/139  
5,429,195 A \* 7/1995 Turnis ..... A01B 73/065  
172/311  
5,517,932 A \* 5/1996 Ott ..... A01C 5/068  
111/166  
5,524,558 A \* 6/1996 Pierzchalski ..... A01C 15/122  
111/170  
5,535,688 A \* 7/1996 Kaufman ..... A01B 73/067  
111/52

(Continued)

*Primary Examiner* — Richard E Chilcot  
(74) *Attorney, Agent, or Firm* — Volpe Koenig

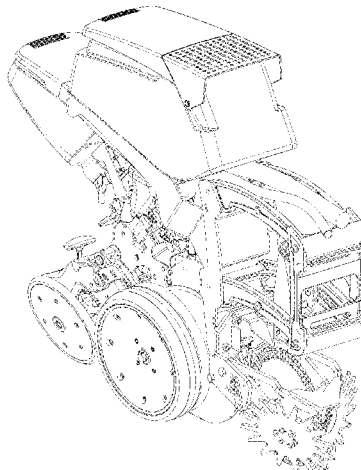
(57) **CLAIM**

The ornamental design for an agricultural machine, as shown and described.

**DESCRIPTION**

11. Agricultural machine  
**11.1** is a right-side view of the agricultural machine showing our new design;  
**11.2** is a front-right perspective view thereof;  
**11.3** is a front-left perspective view thereof;  
**11.4** is a rear-left perspective view thereof;  
**11.5** is a rear view thereof; and  
**11.6** is a left-side view thereof.

(Continued)



The broken lines in the figures form no part of the claimed design.

**1 Claim, 6 Drawing Sheets**

(56)

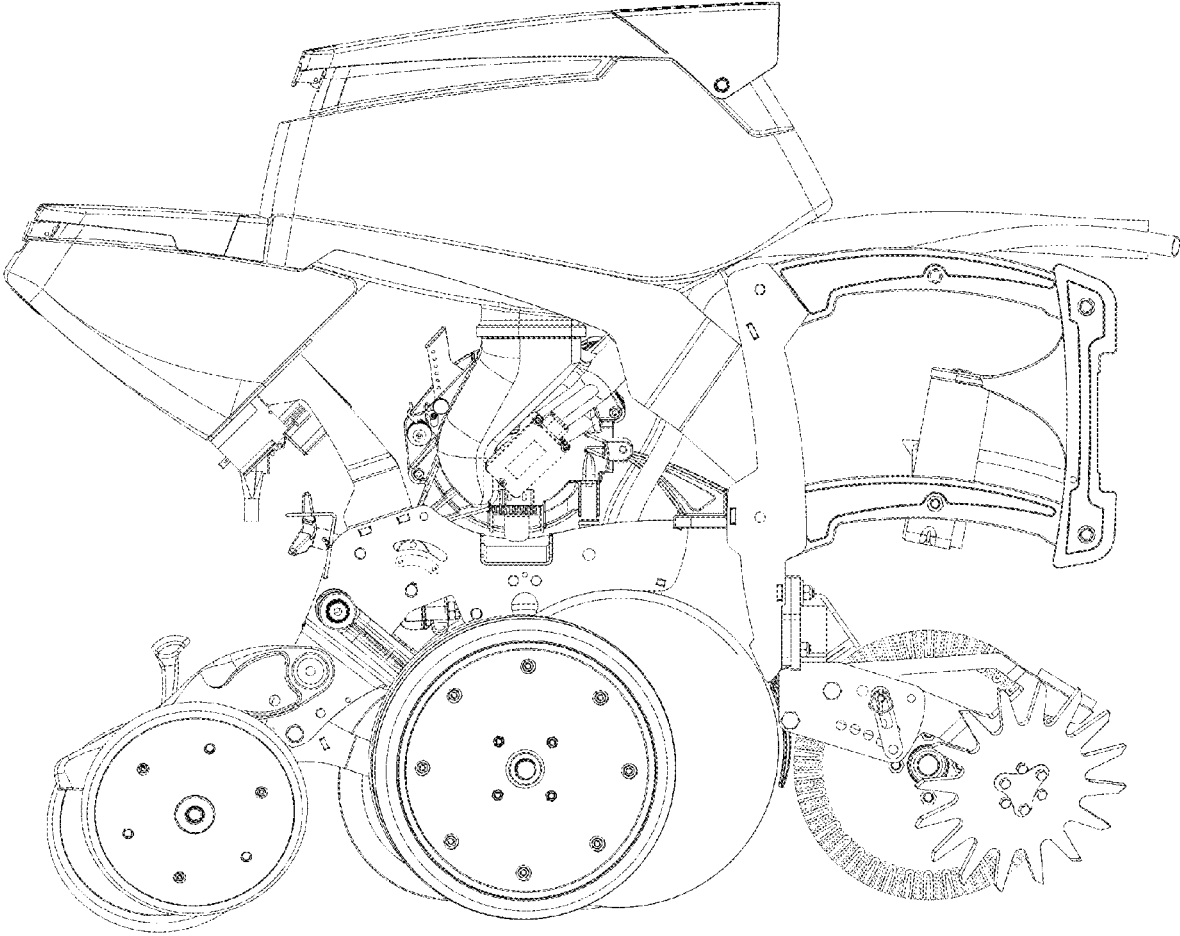
**References Cited**

U.S. PATENT DOCUMENTS

6,032,593 A \* 3/2000 Wendling ..... A01C 5/064  
 111/187  
 6,325,156 B1 \* 12/2001 Barry ..... A01B 15/18  
 172/518  
 D469,782 S \* 2/2003 Paluch ..... D15/10  
 D469,783 S \* 2/2003 Paluch ..... D15/10  
 6,776,108 B2 \* 8/2004 Crabb ..... A01C 7/042  
 111/185  
 6,843,186 B2 \* 1/2005 Shoup ..... A01C 7/08  
 111/59  
 7,152,539 B2 \* 12/2006 Swanson ..... A01C 5/064  
 111/119  
 7,168,376 B2 \* 1/2007 Johnston ..... A01C 5/064  
 111/150

7,255,050 B2 \* 8/2007 Johannaber ..... A01C 7/046  
 111/185  
 D559,868 S \* 1/2008 Nanlawala ..... D15/10  
 D598,936 S \* 8/2009 Hall ..... D15/11  
 D644,253 S \* 8/2011 Donadon ..... D15/10  
 D760,810 S \* 7/2016 Dal Moro ..... D15/27  
 D762,738 S \* 8/2016 Dal Moro ..... D15/27  
 D766,992 S \* 9/2016 Anderson ..... D15/10  
 D767,642 S \* 9/2016 Anderson ..... D15/10  
 D768,729 S \* 10/2016 Long ..... D15/10  
 D838,296 S \* 1/2019 Zubelli ..... D15/27  
 2002/0162492 A1 \* 11/2002 Juptner ..... A01C 5/064  
 111/140  
 2004/0089209 A1 \* 5/2004 Joaquin Romagnoli .....  
 A01C 5/06  
 111/185  
 2007/0215024 A1 \* 9/2007 Sanguinetti ..... A01M 7/0082  
 111/118  
 2008/0264312 A1 \* 10/2008 Choulet ..... A01C 7/088  
 111/69  
 2008/0276848 A1 \* 11/2008 Schilling ..... A01C 5/064  
 111/149  
 2009/0025619 A1 \* 1/2009 Vandersnick ..... A01C 7/205  
 111/135

\* cited by examiner



11.1

