



US00D766206S

(12) **United States Design Patent**  
**Paterson et al.**

(10) **Patent No.:** **US D766,206 S**

(45) **Date of Patent:** **\*\* Sep. 13, 2016**

(54) **HEADBAND FOR A HEADSET OR HEADPHONE**

(71) Applicant: **Plantronics, Inc.**, Santa Cruz, CA (US)

(72) Inventors: **Nicholas W Paterson**, Santa Cruz, CA (US); **Barry C Ferris**, Santa Cruz, CA (US)

(73) Assignee: **Plantronics, Inc.**, Santa Cruz, CA (US)

(\*\*) Term: **15 Years**

(21) Appl. No.: **29/528,447**

(22) Filed: **May 28, 2015**

(51) **LOC (10) Cl.** ..... **14-01**

(52) **U.S. Cl.**  
USPC ..... **D14/205**

(58) **Field of Classification Search**  
USPC ..... D14/205, 372; D28/41; D29/112;  
2/209; 181/129, 130, 135; 379/430,  
379/431; 381/380, 381, 371, 370, 375, 378,  
381/379, 72, 74, 151, 173; 455/90.3, 575.1  
CPC ..... H04R 1/10; H04R 25/00; H04R 1/1066;  
H04R 5/0335; H04R 5/033  
See application file for complete search history.

(56) **References Cited**

**U.S. PATENT DOCUMENTS**

- 1,483,315 A \* 2/1924 Saal ..... H04R 1/1066  
381/374
- 1,560,718 A \* 11/1925 Nowosielski ..... H04R 1/1066  
381/377
- D70,296 S \* 6/1926 Skaruda ..... D28/41
- 2,360,027 A \* 10/1944 Werner ..... H04M 1/05  
379/430
- 3,440,663 A \* 4/1969 Beguin ..... A61F 11/14  
2/209
- 3,845,505 A \* 11/1974 Davison ..... A42B 3/166  
2/209
- D246,242 S \* 11/1977 Bellini ..... D14/205
- D246,519 S \* 11/1977 Kato ..... D14/205
- D254,183 S \* 2/1980 Doodson ..... D14/205
- D262,019 S \* 11/1981 Upshaw ..... D14/205

- D291,198 S \* 8/1987 Bellini ..... D14/205
- D301,145 S \* 5/1989 Besasie ..... D14/205
- D313,092 S \* 12/1990 Nilsson ..... D14/205
- D315,561 S \* 3/1991 Miller ..... D14/192
- 4,999,846 A \* 3/1991 Ball ..... A42B 1/22  
2/417
- 5,018,599 A \* 5/1991 Dohi ..... H04R 1/1008  
181/129
- D353,818 S \* 12/1994 Nakamura ..... D14/205
- 5,406,037 A \* 4/1995 Nageno ..... H04R 5/0335  
181/129
- D358,390 S \* 5/1995 Hayashi ..... D14/205
- D376,598 S \* 12/1996 Hayashi ..... D14/205
- D410,466 S \* 6/1999 Mouri ..... D14/205
- D410,921 S \* 6/1999 Luchs ..... D14/142
- 5,987,147 A \* 11/1999 Nishimoto ..... H04R 5/033  
381/370
- 6,016,347 A \* 1/2000 Magnasco ..... H04R 1/1041  
379/430
- D420,356 S \* 2/2000 Suzuki ..... D14/205
- D457,874 S \* 5/2002 Yoneda ..... D14/205
- D463,857 S \* 10/2002 Dix ..... D24/106
- 6,496,589 B1 \* 12/2002 Pham ..... H04R 1/08  
381/370
- 6,678,897 B2 \* 1/2004 Lindgren ..... A61F 11/14  
181/129
- D501,844 S \* 2/2005 Hirano ..... D14/192
- D512,981 S \* 12/2005 Jacobson ..... D14/205
- D517,527 S \* 3/2006 Suzuki ..... D14/205

(Continued)

*Primary Examiner* — Paula Greene

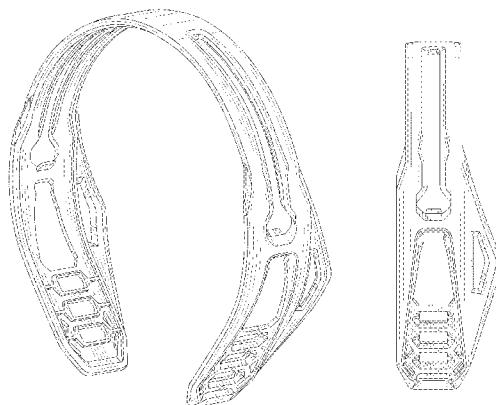
(57) **CLAIM**

The ornamental design for a headband for a headset or headphone, as shown and described.

**DESCRIPTION**

FIG. 1 is a front-left perspective view of a headband for a headset or headphone showing my new design; FIG. 2 is a back-right perspective view thereof; FIG. 3 is a front view thereof; FIG. 4 is a back view thereof; FIG. 5 is a right side view thereof; FIG. 6 is a left side view thereof; FIG. 7 is a top view thereof; and, FIG. 8 is a bottom view thereof. The broken lines showing the unclaimed features form no part of the claimed design.

**1 Claim, 6 Drawing Sheets**



(56)

References Cited

U.S. PATENT DOCUMENTS

D544,464 S \* 6/2007 Lee ..... D14/205  
 D548,221 S \* 8/2007 Huang ..... D14/205  
 D567,215 S \* 4/2008 Lee ..... D14/205  
 D592,639 S \* 5/2009 Kuh ..... D14/205  
 D633,894 S \* 3/2011 Meyer ..... D14/205  
 D635,958 S \* 4/2011 Ando ..... D14/205  
 D635,959 S \* 4/2011 Hutchieson ..... D14/205  
 D654,472 S \* 2/2012 Fischer ..... D14/206  
 D663,717 S \* 7/2012 Hutchieson ..... D14/206  
 D664,116 S \* 7/2012 Hutchieson ..... D14/205  
 D686,593 S \* 7/2013 Larsen ..... D14/205

8,732,864 B2 \* 5/2014 Fountain ..... A61F 11/14  
 2/209  
 D707,200 S \* 6/2014 Yang ..... D14/205  
 D723,509 S \* 3/2015 Garland ..... D14/205  
 D724,560 S \* 3/2015 Galler ..... D14/205  
 D725,074 S \* 3/2015 Boeckel ..... D14/205  
 D732,001 S \* 6/2015 Licht ..... D14/205  
 D733,091 S \* 6/2015 Heinonen ..... D14/205  
 D736,176 S \* 8/2015 Rapitsch ..... D14/205  
 D746,791 S \* 1/2016 Yuen ..... D14/205  
 2003/0210801 A1 \* 11/2003 Naksen ..... H04R 1/1066  
 381/370  
 2005/0220318 A1 \* 10/2005 Han ..... H04R 1/1008  
 381/371

\* cited by examiner

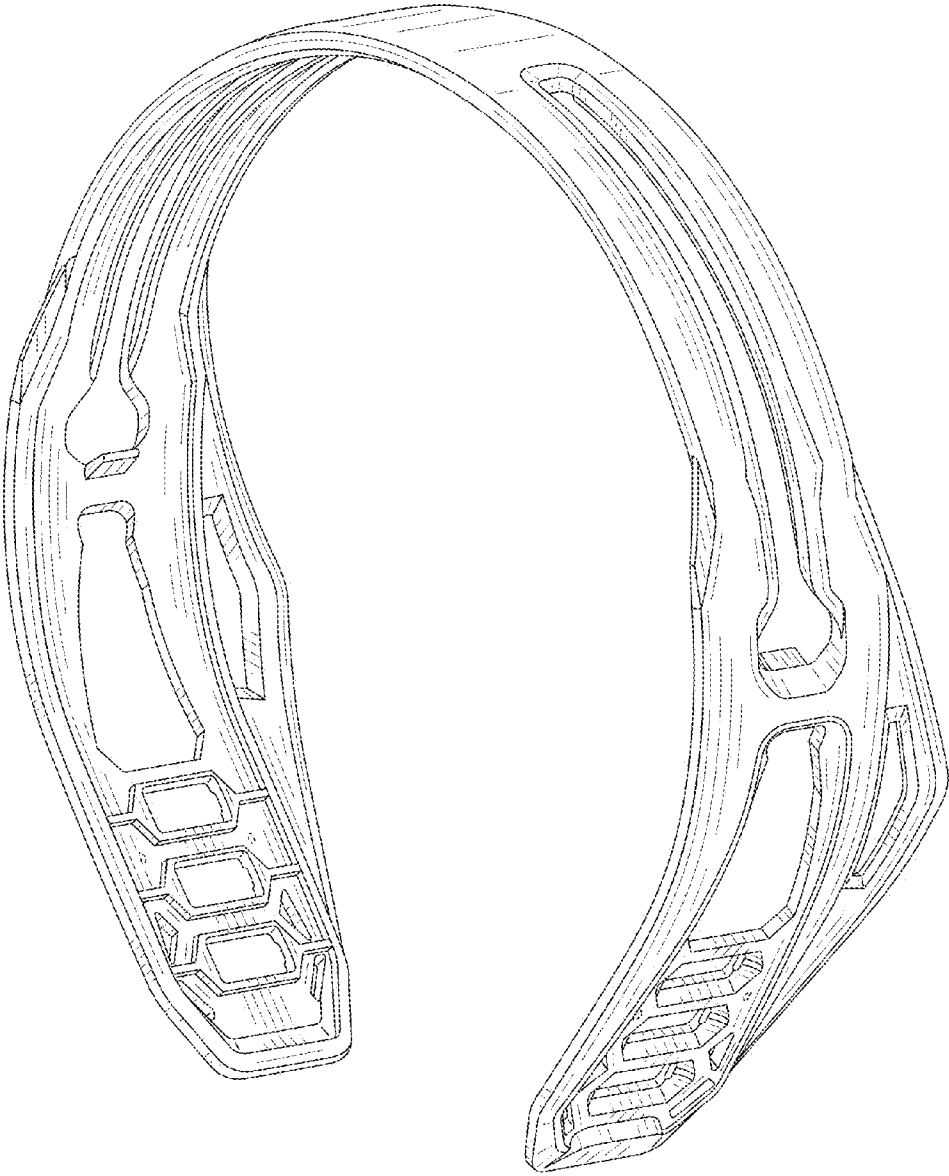


FIG. 1

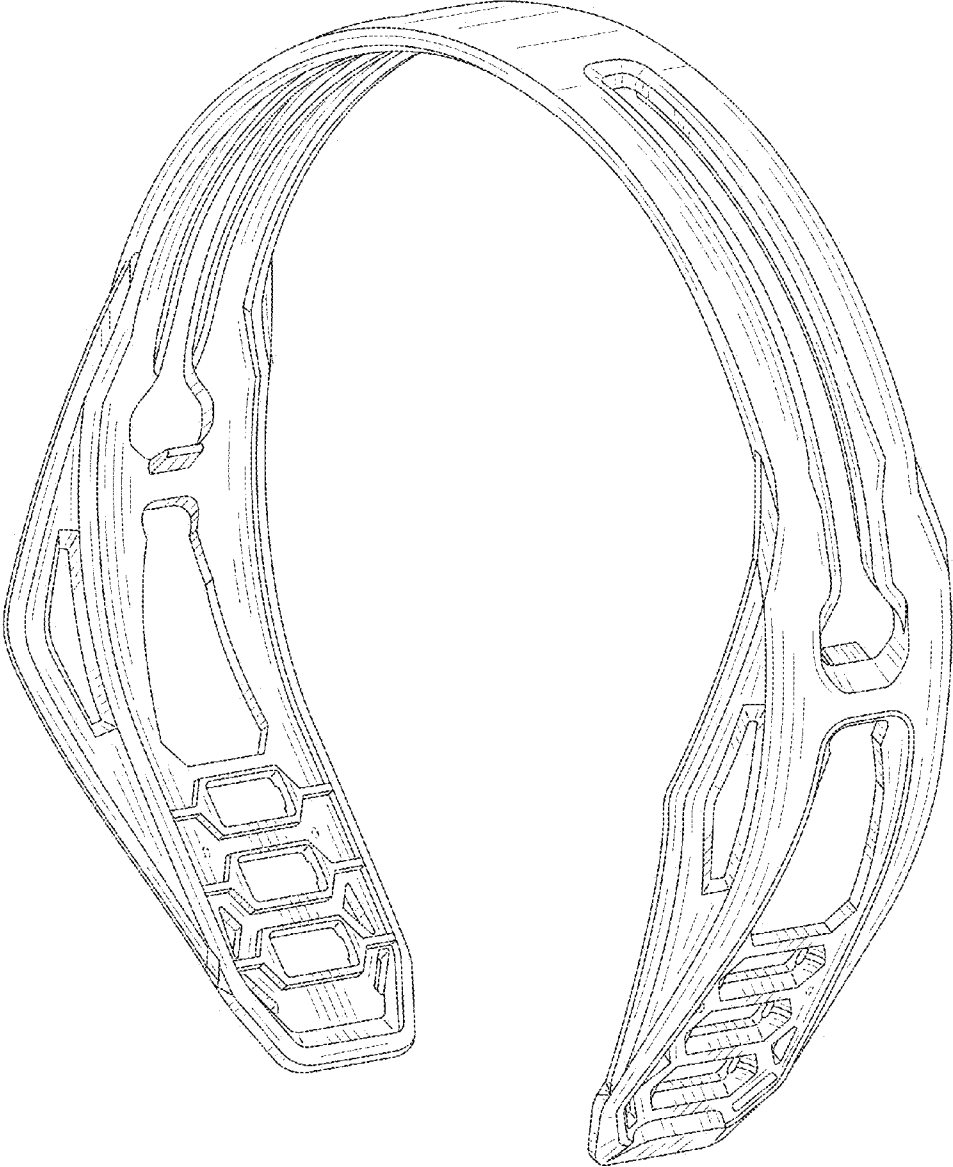


FIG. 2

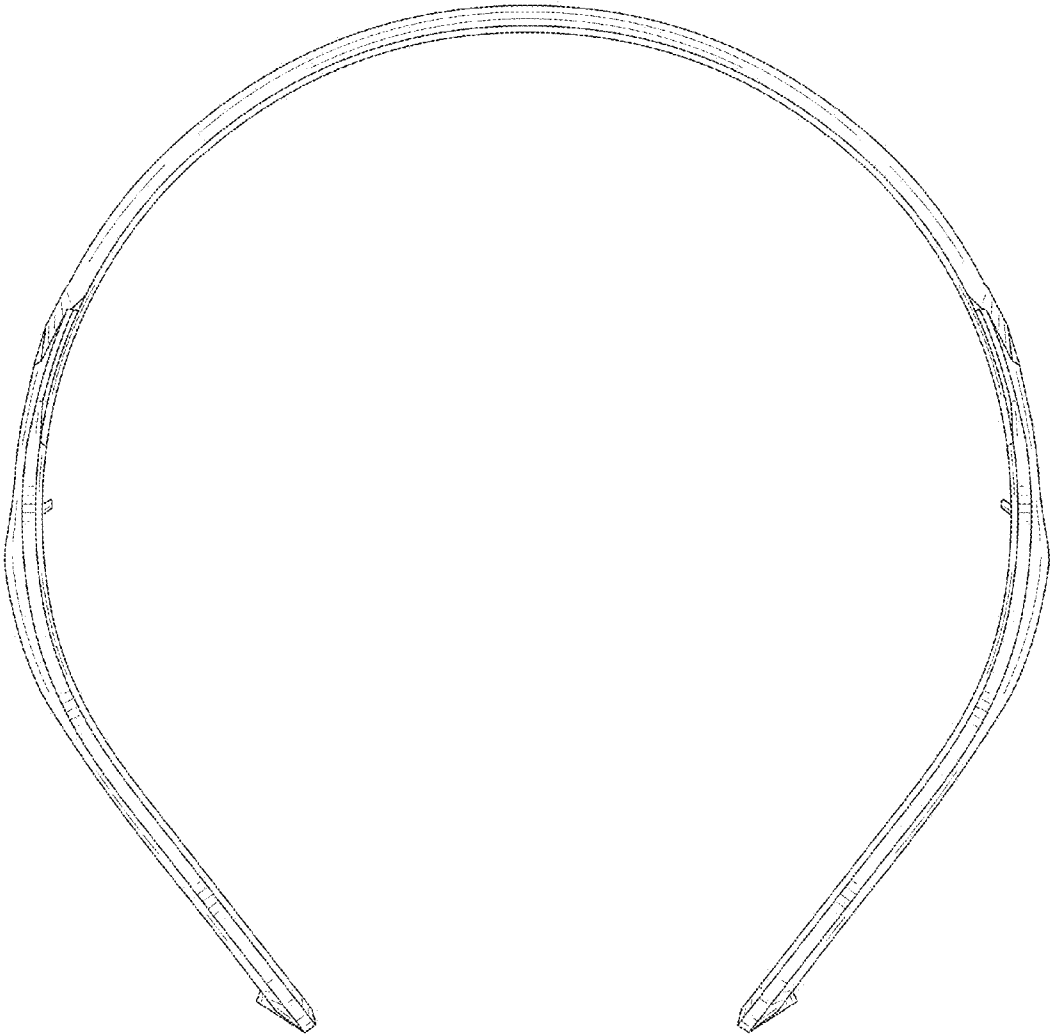
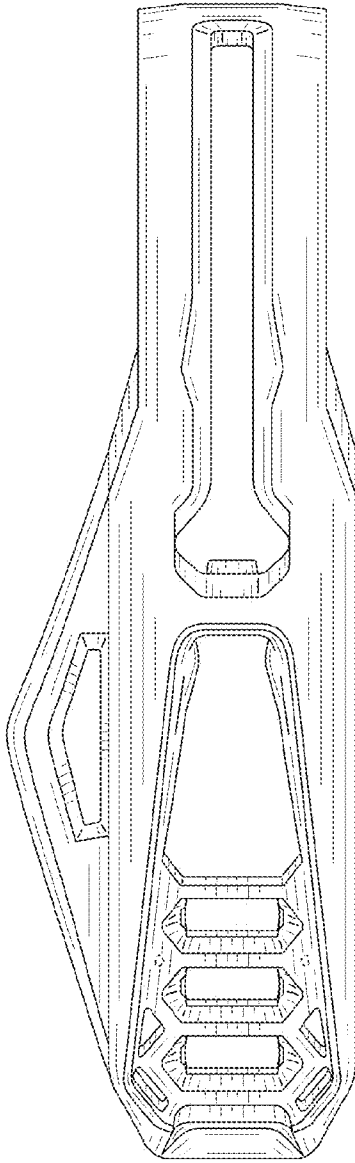


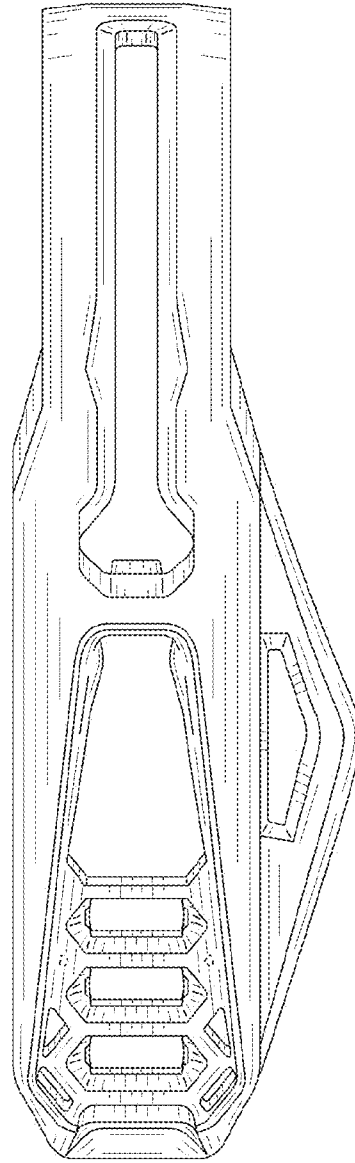
FIG. 3



FIG. 4



**FIG. 5**



**FIG. 6**

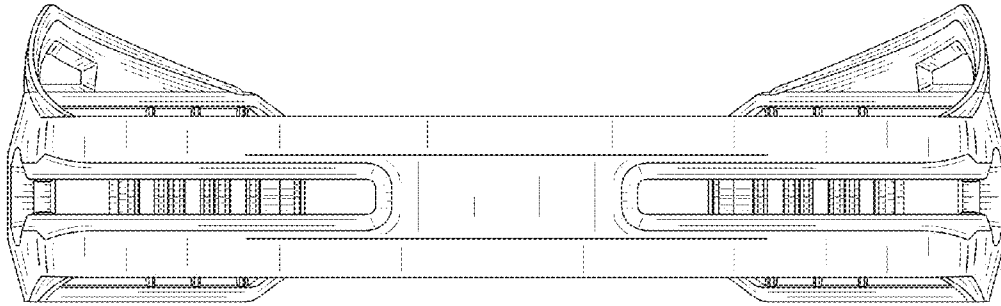


FIG. 7

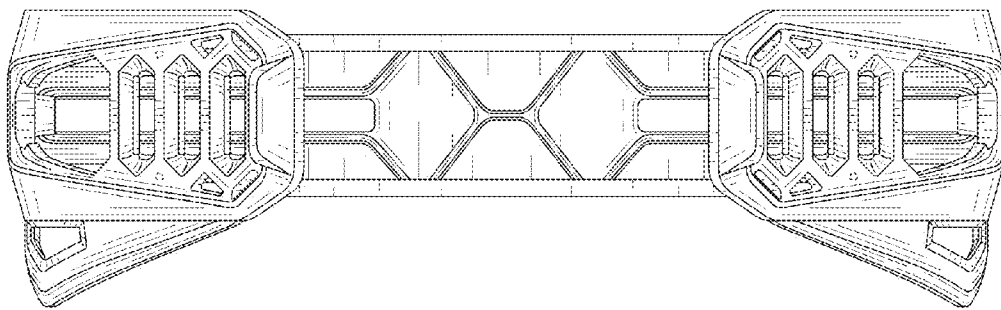


FIG. 8