



US00D411258S

United States Patent [19]

[11] Patent Number: **Des. 411,258**

Isetani et al.

[45] Date of Patent: **** Jun. 22, 1999**

[54] **GAME MACHINE**

[75] Inventors: **Yoshitsugu Isetani; Satoshi Uchiyama,**
both of Kobe; **Hirofumi Mamitsu,**
Kakogawa; Manabu Akita; Katsunori
Okita, both of Kobe, all of Japan

[73] Assignee: **Konami Co., Ltd.,** Hyogo-ken, Japan

[**] Term: **14 Years**

[21] Appl. No.: **29/091,499**

[22] Filed: **Jul. 30, 1998**

[30] **Foreign Application Priority Data**

Feb. 16, 1998 [JP] Japan 10-3231

[51] **LOC (6) Cl.** **21-01**

[52] **U.S. Cl.** **D21/328; D21/325**

[58] **Field of Search** **D21/324-327,**
D21/333; 463/1, 29-35, 46, 47, 50, 51,
52; 273/148 B, 348, 440, 440.1, 442; 434/247,
253; 482/70, 79, 146, 901, 902

[56] **References Cited**

U.S. PATENT DOCUMENTS

- D. 243,626 3/1977 Cheng D21/326
- D. 246,919 1/1978 Huang D21/327
- D. 318,073 7/1991 Jang D21/326

- D. 403,024 12/1998 Muraki et al. D21/326
- 3,568,332 3/1971 Koci et al. 273/442 X
- 4,059,266 11/1977 Nakamura 273/442
- 4,474,372 10/1984 Karasawa 273/442
- 5,106,102 4/1992 Mitsumoto 273/442
- 5,299,810 4/1994 Pierce et al. 463/30 X
- 5,713,794 2/1998 Shimojima et al. 463/36

OTHER PUBLICATIONS

Vending Times, p. 71, Apr. 1979.

Primary Examiner—Prabhakar Deshmukh
Attorney, Agent, or Firm—Jordan and Hamburg LLP

[57] CLAIM

The ornamental design for a game machine, as shown and described.

DESCRIPTION

FIG. 1 is a perspective view of a game machine;
FIG. 2 is a front view of the game machine;
FIG. 3 is a rear view of the game machine;
FIG. 4 is a top view of the game machine;
FIG. 5 is a bottom view of the game machine;
FIG. 6 is a right side view of the game machine;
FIG. 7 is a left side view of the game machine; and,
FIG. 8 is a sectional view taken along the line 8—8 in FIG. 2.

1 Claim, 8 Drawing Sheets

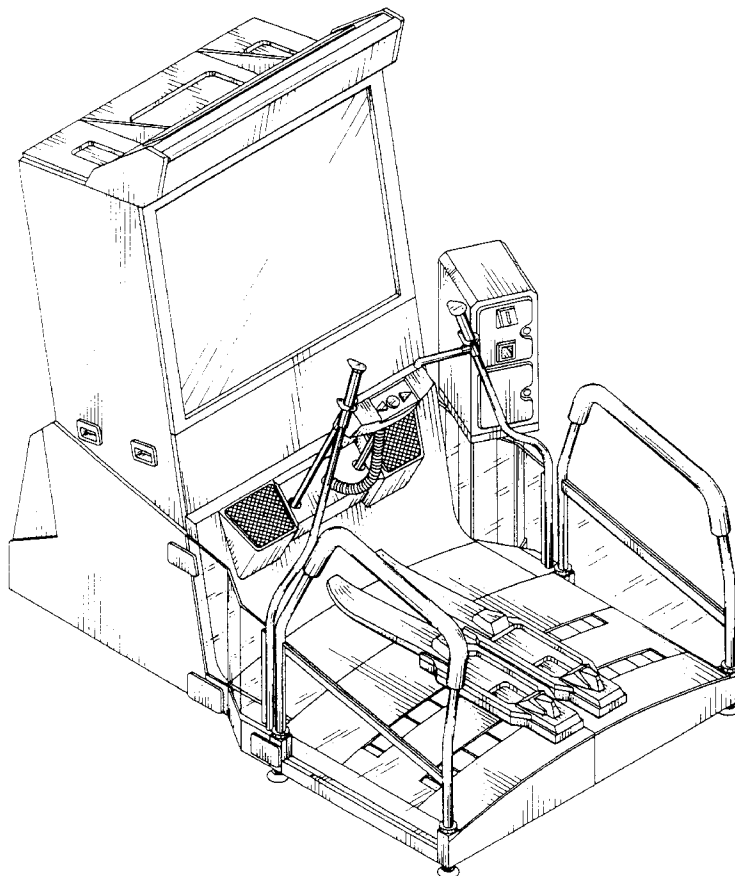


FIG. 1

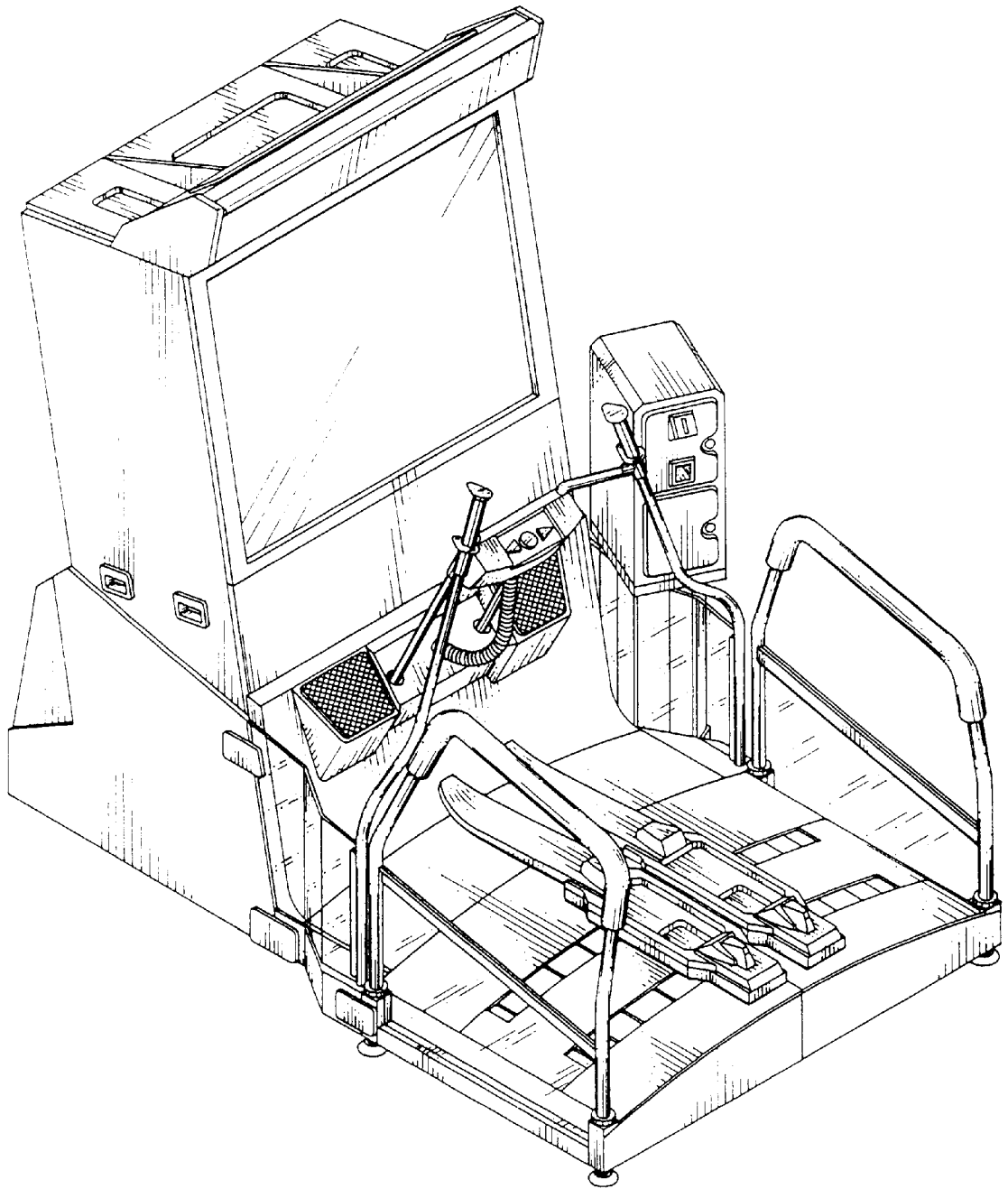
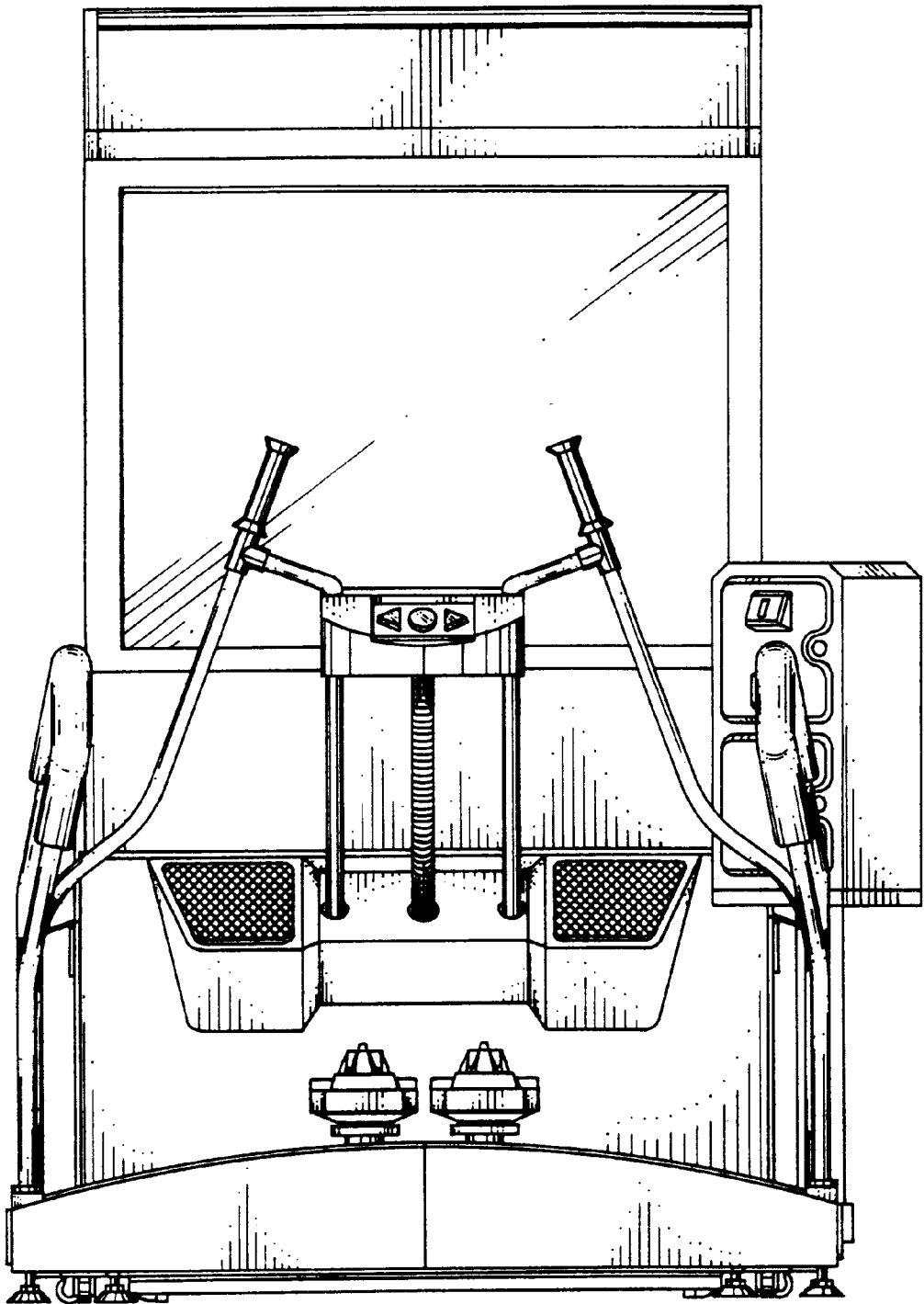


FIG. 2

→ 8



→ 8

FIG. 3

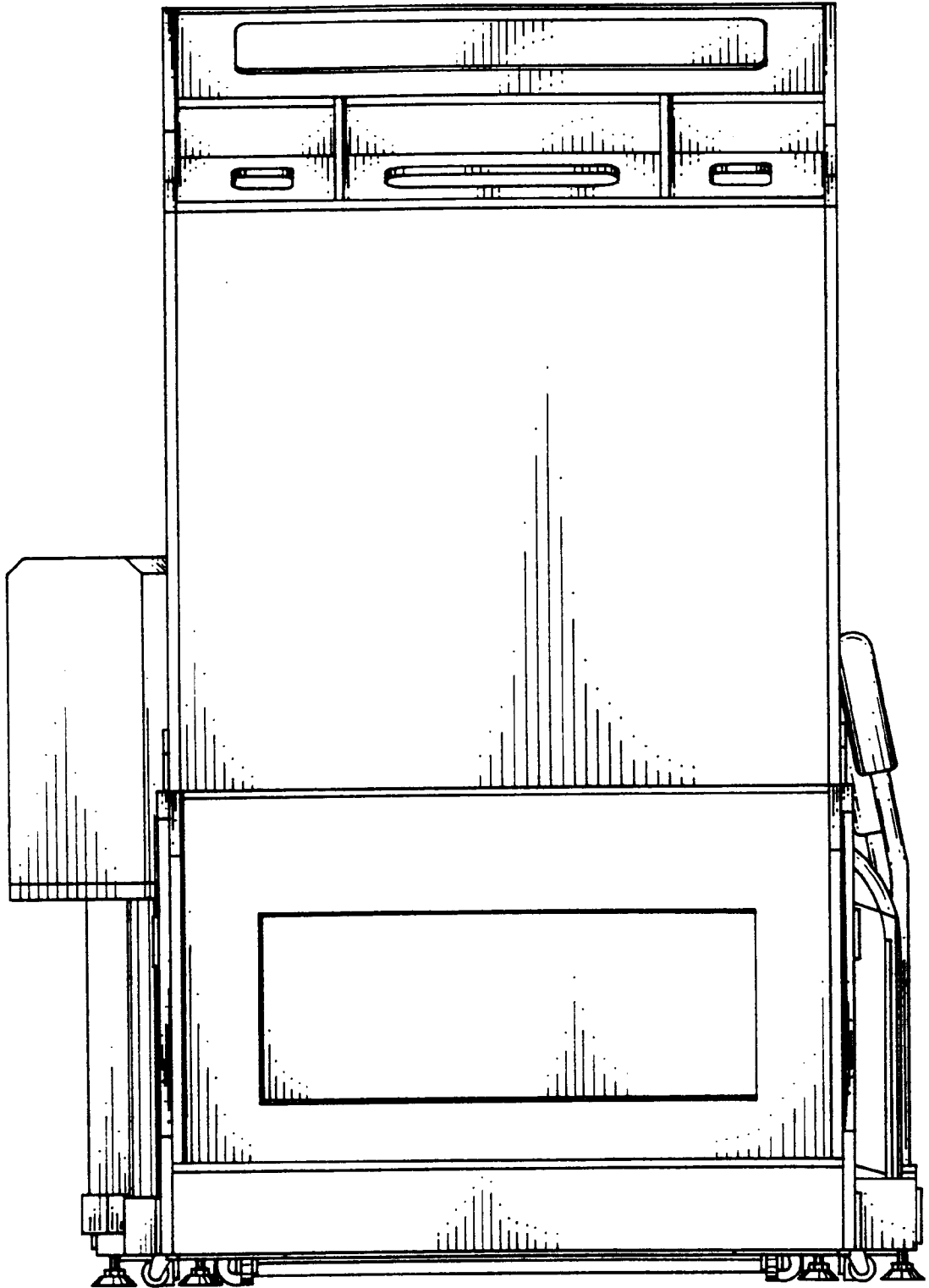


FIG. 4

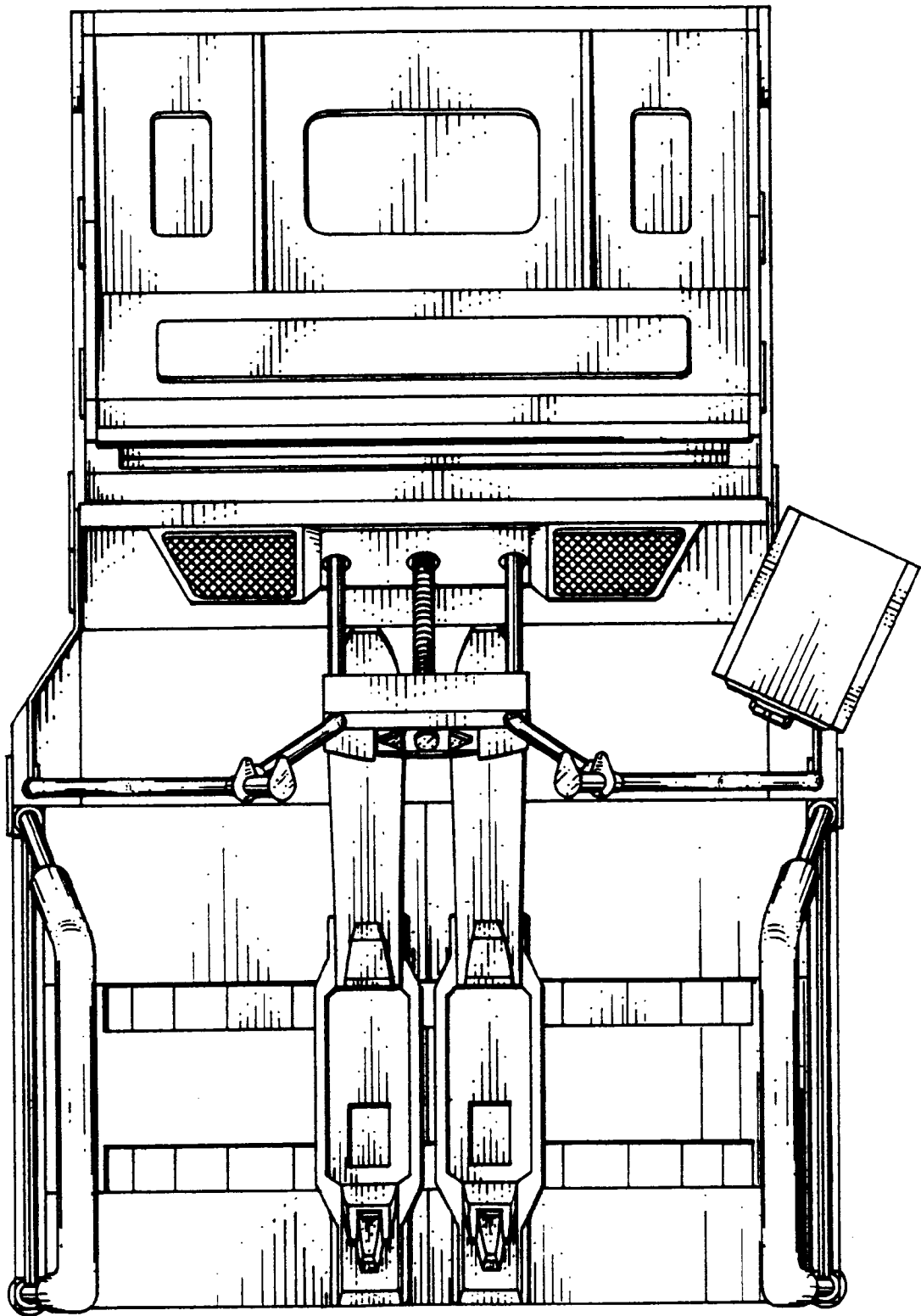


FIG. 5

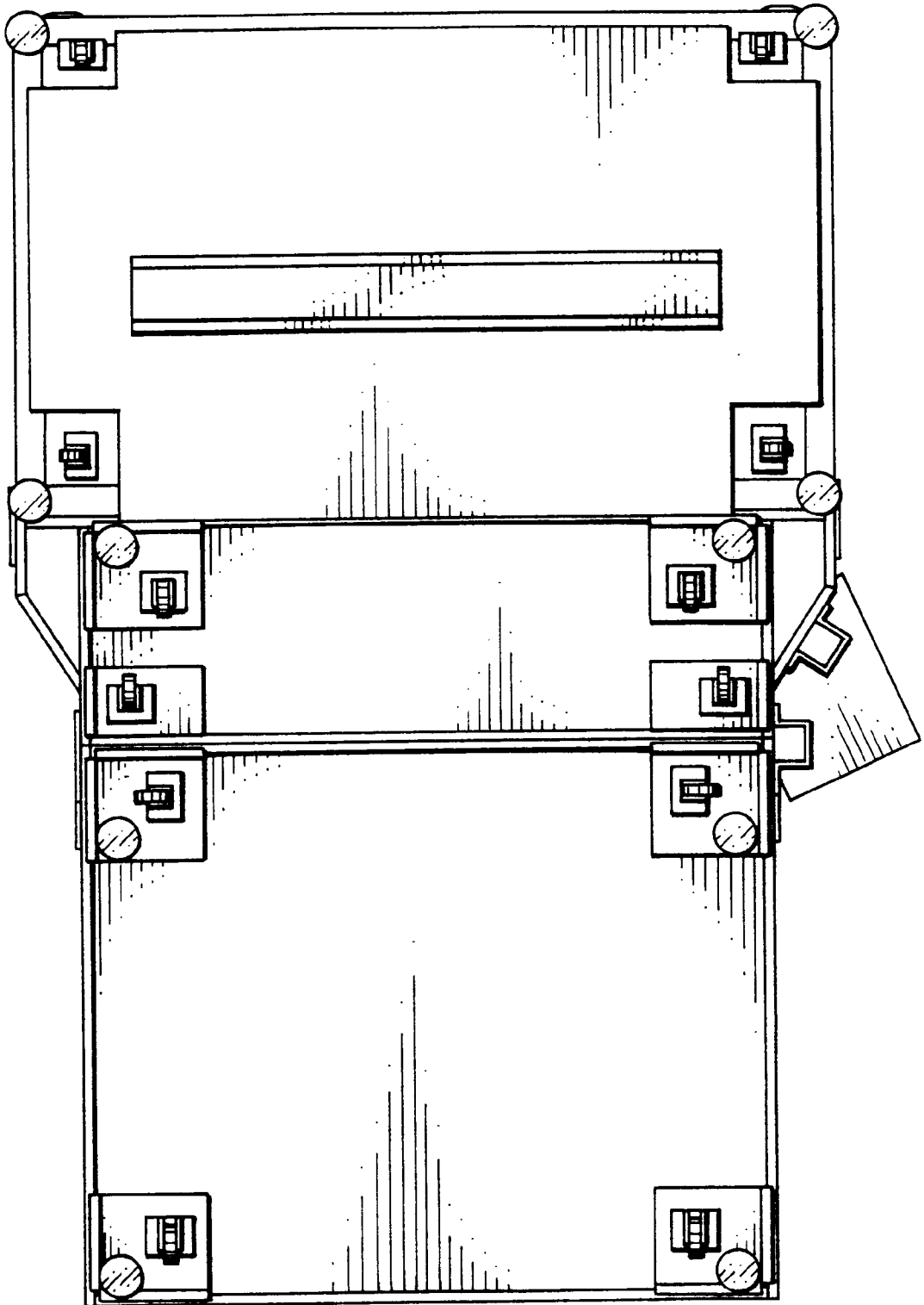


FIG. 6

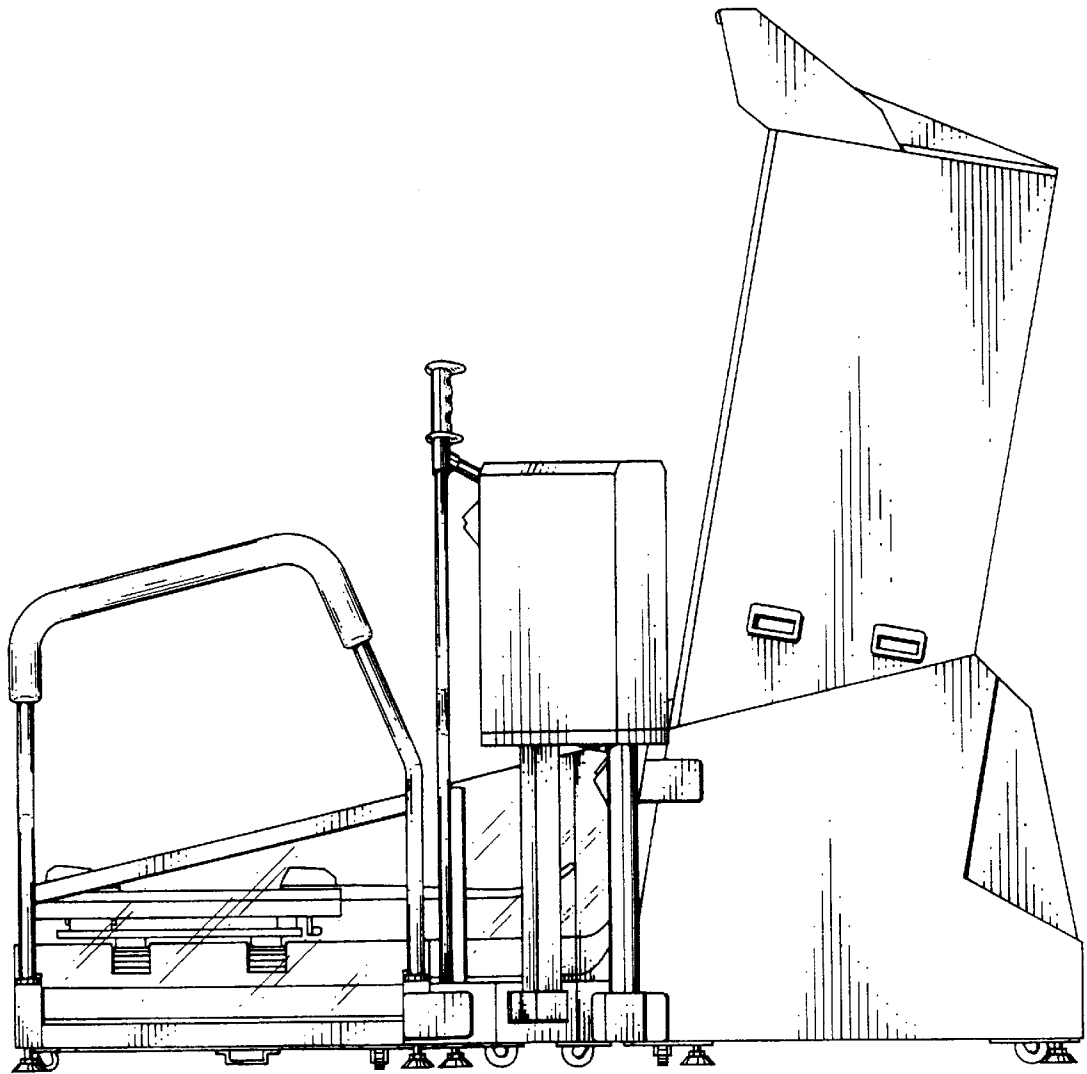


FIG. 7

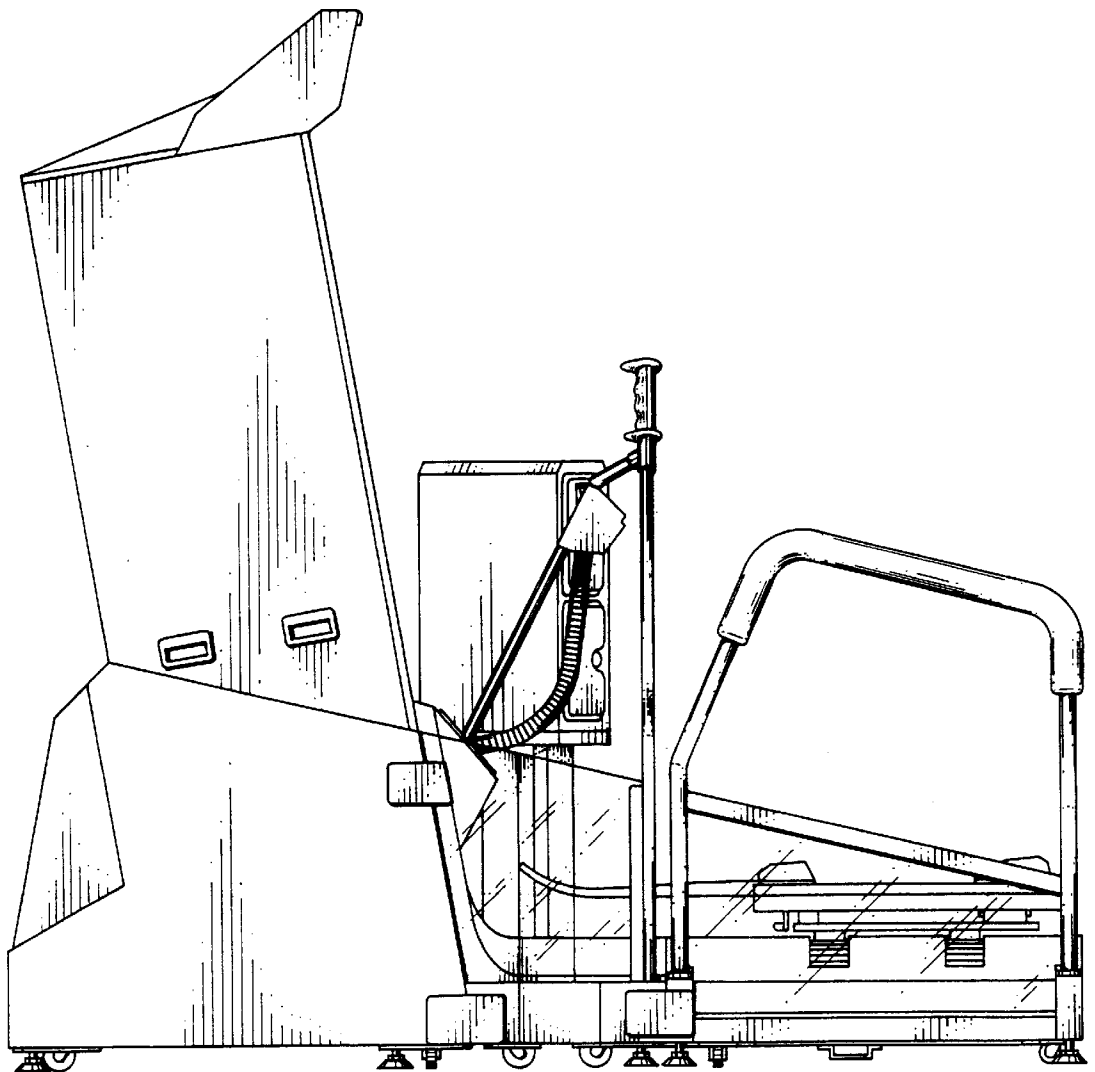


FIG. 8

