



US00D513457S

(12) **United States Design Patent**
Asano et al.

(10) **Patent No.:** **US D513,457 S**

(45) **Date of Patent:** **** *Jan. 10, 2006**

(54) **CHAIR**

(75) Inventors: **Hiroshi Asano**, Nagoya (JP); **Masaru Takahashi**, Nagoya (JP)

(73) Assignee: **Aichi Co., Ltd.**, Nagoya (JP)

(*) Notice: This patent is subject to a terminal disclaimer.

(**) Term: **14 Years**

(21) Appl. No.: **29/223,899**

(22) Filed: **Feb. 22, 2005**

(30) **Foreign Application Priority Data**

Aug. 23, 2004 (JP) 2004-025083

(51) **LOC (8) Cl.** **06-01**

(52) **U.S. Cl.** **D6/380; D6/376**

(58) **Field of Classification Search** D6/334,
D6/335, 368, 369, 374, 376, 379, 380, 500-502;
297/445.1, 446.1, 452.46, 452.64

See application file for complete search history.

(56) **References Cited**

U.S. PATENT DOCUMENTS

3,767,261 A	*	10/1973	Rowland	297/452.64
D336,795 S	*	6/1993	Rowe et al.	D6/380
D346,075 S	*	4/1994	Hess	D6/376
D447,353 S	*	9/2001	Peloquin	D6/368
D449,938 S	*	11/2001	Vanderiet et al.	D6/380
D456,164 S	*	4/2002	Vanderiet et al.	D6/374
D458,468 S	*	6/2002	Levrangi	D6/376
D459,604 S	*	7/2002	Piretti	D6/380
D471,373 S	*	3/2003	Starczewski et al.	D6/368
D475,544 S	*	6/2003	Chadwick et al.	D6/380
D481,550 S	*	11/2003	Astle	D6/374
D485,084 S	*	1/2004	Bales	D6/379

6,726,285 B2	*	4/2004	Caruso et al.	297/452.46
6,899,396 B2	*	5/2005	Bales	297/446.1
D505,801 S	*	6/2005	Cesaroni et al.	D6/379
2005/0001464 A1	*	1/2005	Caruso et al.	297/452.46

OTHER PUBLICATIONS

Chair, A, p. 70, Design Within Reach catalog.*

* cited by examiner

Primary Examiner—Mimosa De

(74) *Attorney, Agent, or Firm*—Davis & Bujold, P.L.L.C.

(57) **CLAIM**

We claim the ornamental design for a chair, as shown and described.

DESCRIPTION

FIG. 1 is a perspective view of a chair embodying our new design;

FIG. 2 is a front elevational view thereof;

FIG. 3 is a right side elevational view thereof;

FIG. 4 is a partial view of the back rest portion of the chair of FIG. 2 along section line 4—4;

FIG. 5 is a cross-sectional view of the chair of FIG. 2 along section line 5—5;

FIG. 6 is a top plan view of FIG. 1;

FIG. 7 is a bottom plan view of FIG. 1;

FIG. 8 is a rear elevational view of FIG. 1;

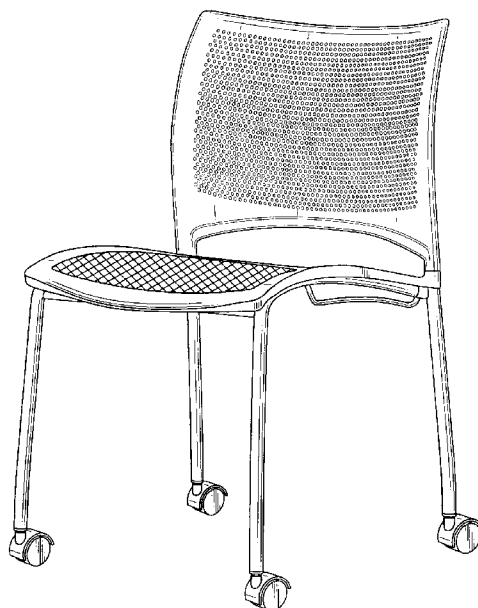
FIG. 9 is a partial view of the seat portion of the chair of FIG. 6 along section line 9—9;

FIG. 10 is an enlarged cross sectional view of a portion of the chair of FIG. 5 along section line 10—10; and,

FIG. 11 is a right side elevational view showing two chairs, according to FIG. 1, stacked one on top of the other.

The broken lines showing of another chair in FIG. 11 are for illustrative purposes only and form no part of the claimed design.

1 Claim, 6 Drawing Sheets



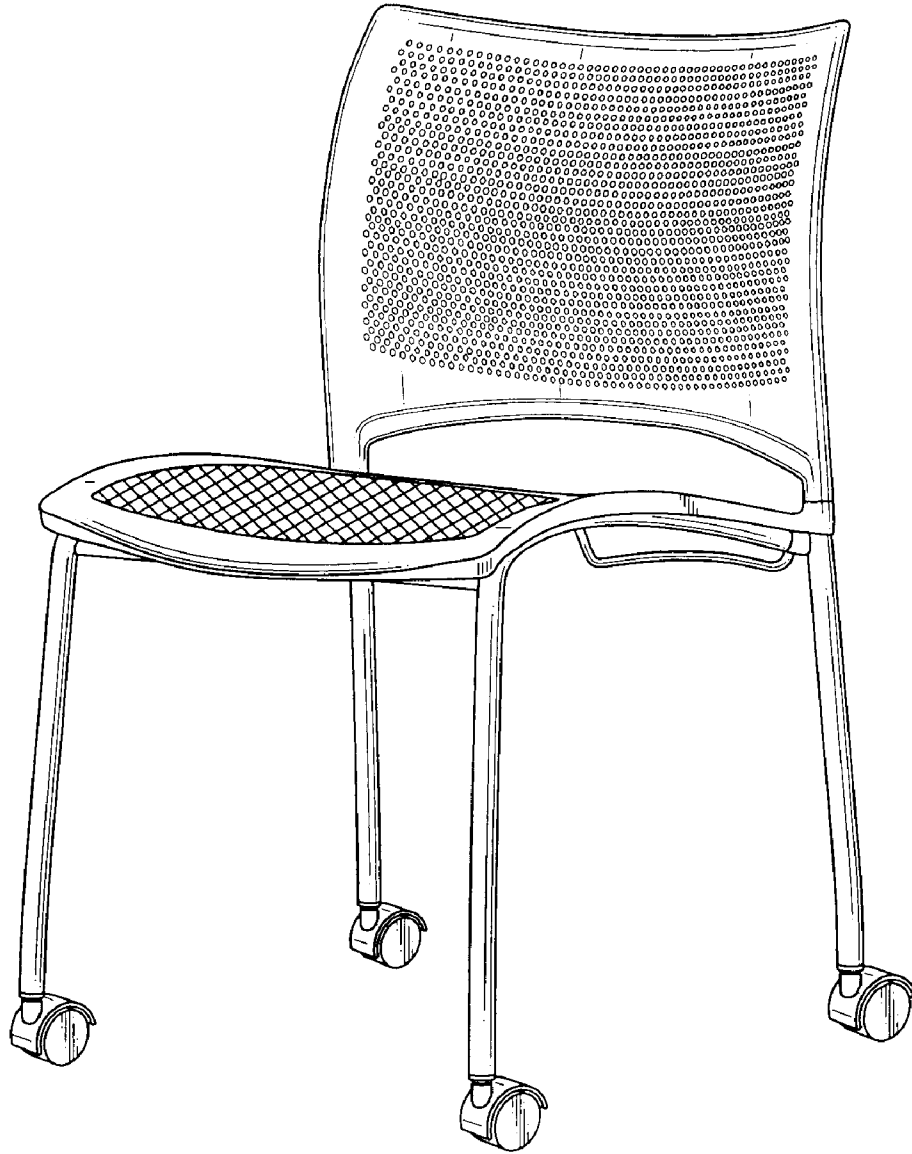


FIG. 1

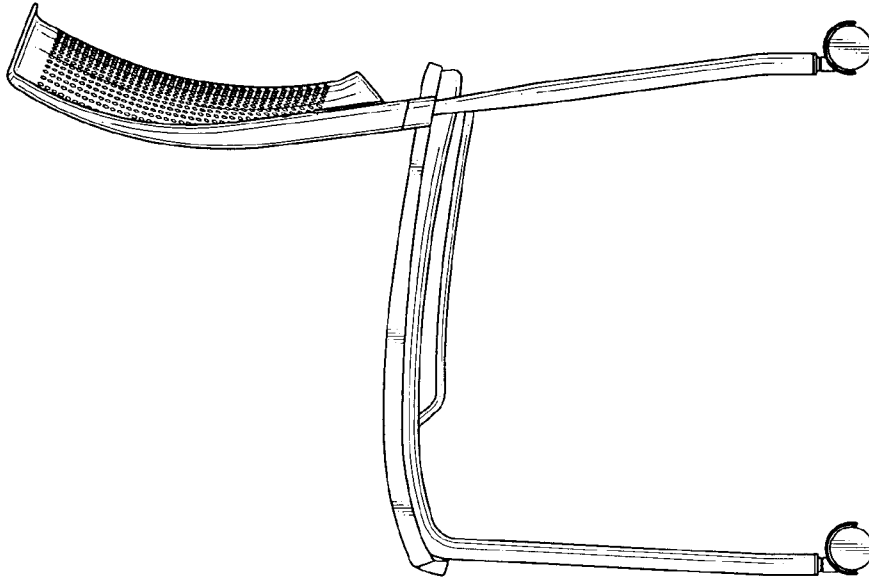


FIG. 3

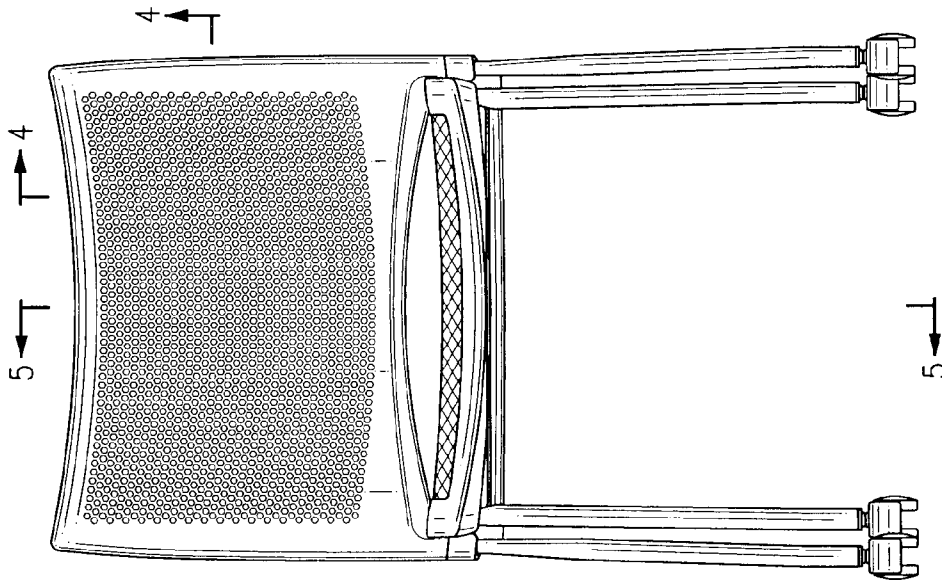


FIG. 2

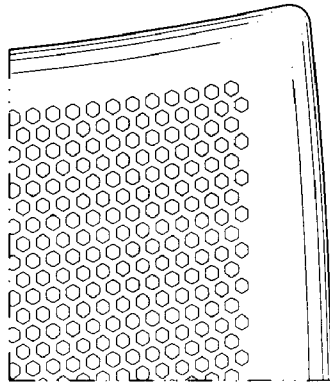


FIG. 4

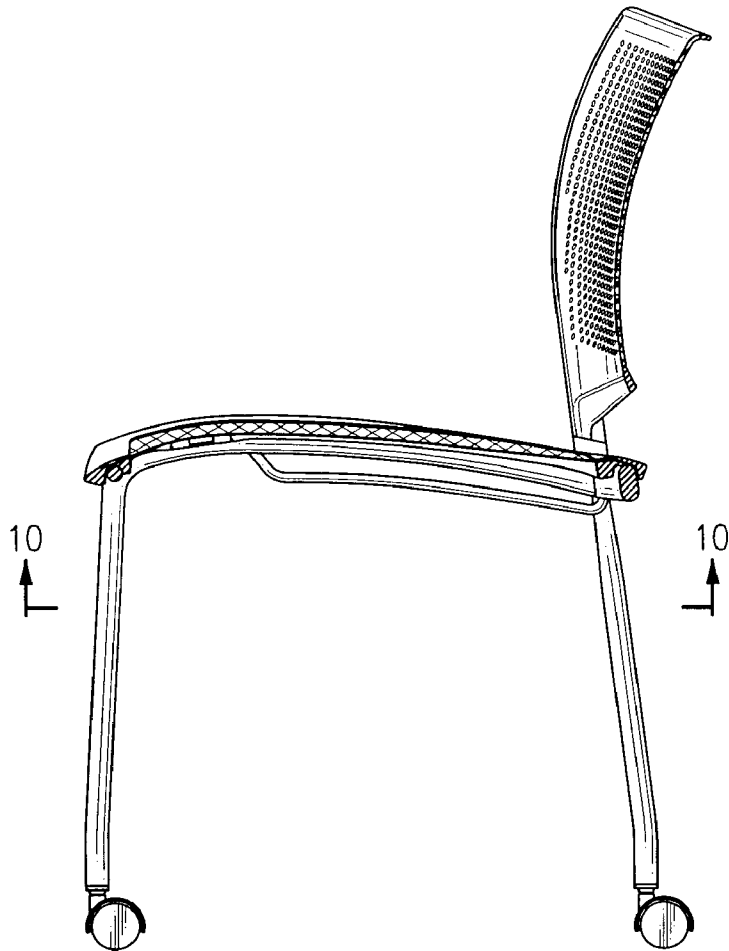


FIG. 5

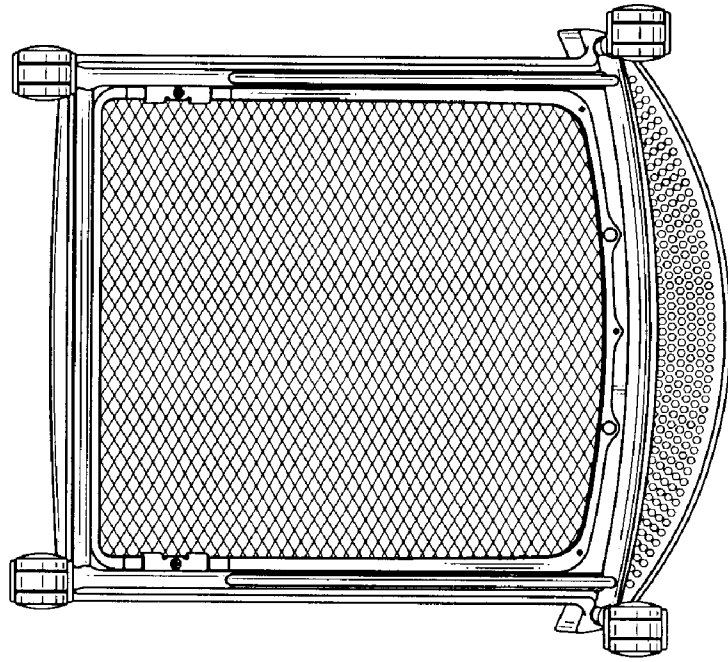


FIG. 7

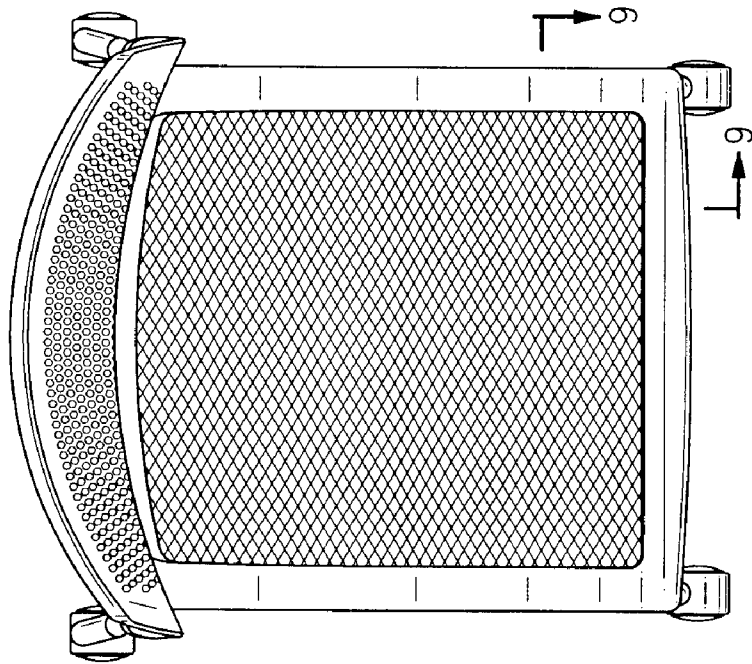


FIG. 6

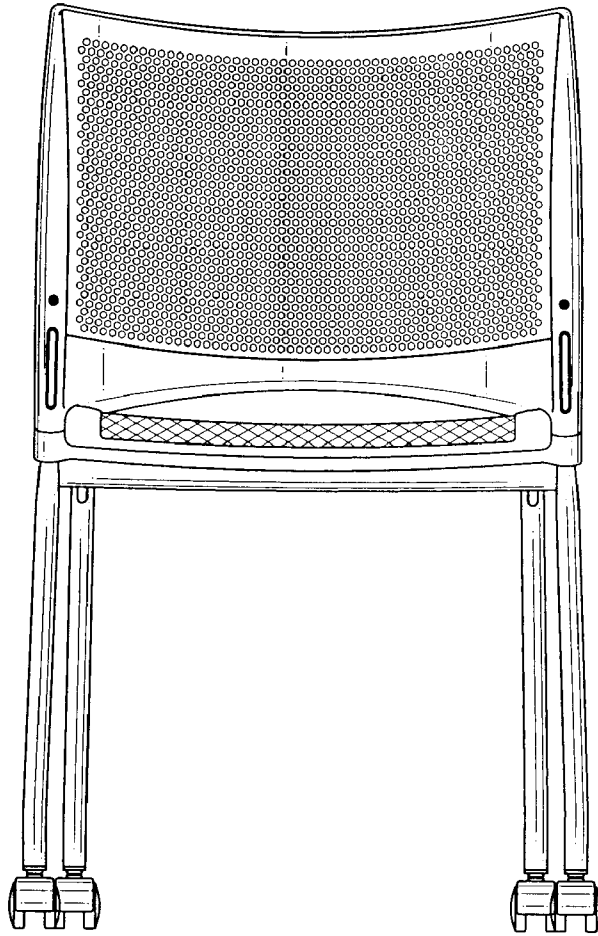


FIG. 8

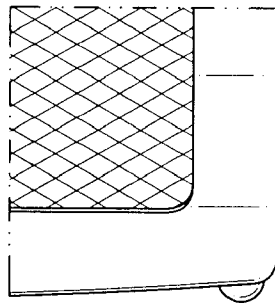


FIG. 9

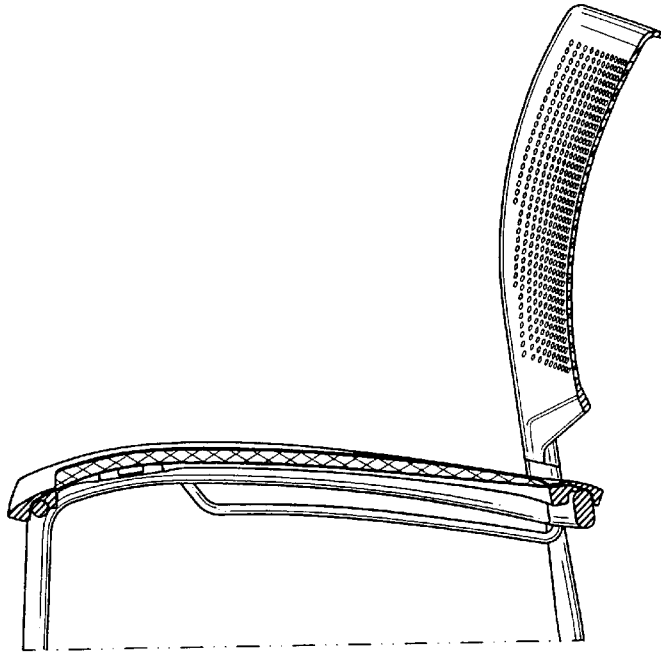


FIG. 10

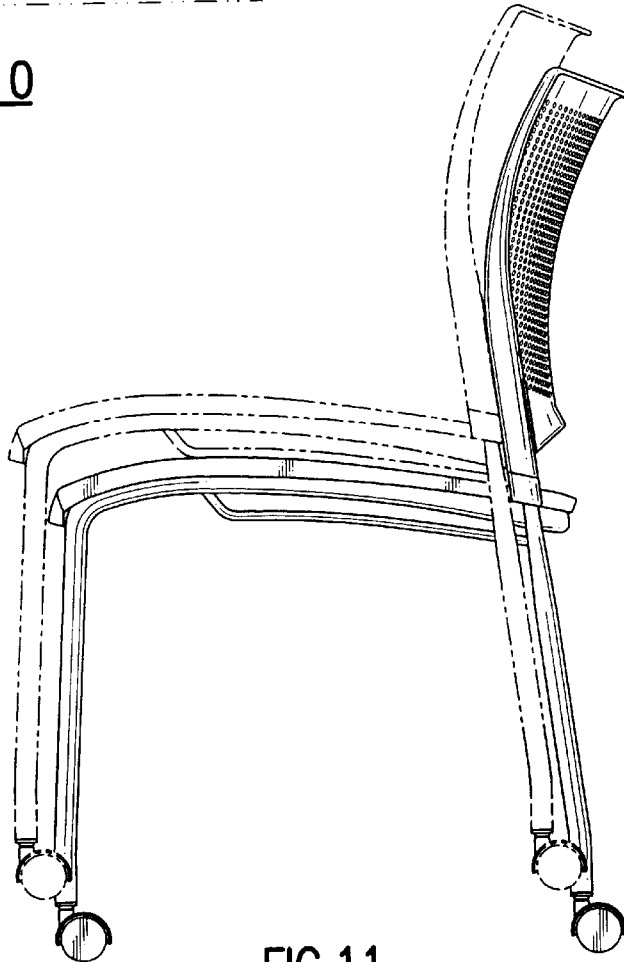


FIG. 11