



US00D692562S

(12) **United States Design Patent**
Hess

(10) **Patent No.:** **US D692,562 S**

(45) **Date of Patent:** **** Oct. 29, 2013**

(54) **GRADUATED BONE TAP**

(75) Inventor: **Harold Hess**, Leawood, KS (US)

(73) Assignee: **Spinal Simplicity LLC**, Lenexa, KS (US)

(**) Term: **14 Years**

(21) Appl. No.: **29/414,345**

(22) Filed: **Feb. 28, 2012**

(51) **LOC (9) Cl.** **24-00**

(52) **U.S. Cl.**
USPC **D24/171**

(58) **Field of Classification Search**

USPC D24/146, 185, 135, 140, 147, 155, 139, D24/114, 212-213, 192, 215, 130, 133, 171, D24/141; 601/33, 134; 606/900, 86 A, 104, 606/90, 88, 86 R, 324, 295, 288, 68, 272, 606/267, 265, 266, 257, 251, 246, 57, 54, 606/916, 105, 96, 80, 60, 53, 64, 62, 63, 606/66; 128/845, 882, 893; 602/5, 6, 11, 602/12, 30, 40, 39, 28, 29; D29/121.2; 36/93, 94; 408/214

See application file for complete search history.

(56) **References Cited**

U.S. PATENT DOCUMENTS

D599,906	S	*	9/2009	Petersen	D24/146
D630,834	S	*	1/2011	Cohen	D3/10
7,951,175	B2	*	5/2011	Chao et al.	606/279
2011/0251597	A1	*	10/2011	Bharadwaj et al.	606/1
2012/0150229	A1	*	6/2012	Hess	606/249

OTHER PUBLICATIONS

<http://osseolink.com/Products/TAP40>.
<http://www.indiamart.com/simplex-surgical-industries/bone-taps.html>.

* cited by examiner

Primary Examiner — Robert M Spear

Assistant Examiner — Rhea Shields

(74) *Attorney, Agent, or Firm* — Edwards Wildman Palmer LLP; Scott D. Wofsy

(57) **CLAIM**

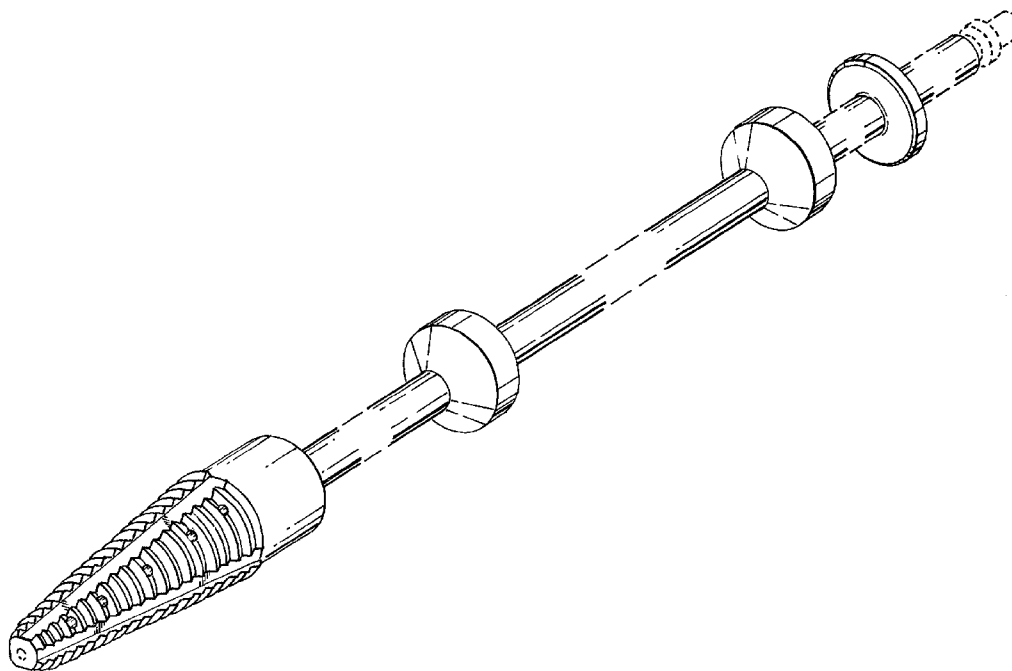
The ornamental design for a graduated bone tap, as shown and described.

DESCRIPTION

FIG. 1 is a perspective view of the graduated bone tap of the subject invention. The broken lines showing are for illustrative purposes only and form no part of the claimed design; FIG. 2 is a left side view of the graduated bone tap of the subject invention; FIG. 3 is a right side view of the graduated bone tap of the subject invention; FIG. 4 is a front end view of the graduated bone tap of the subject invention; and, FIG. 5 is a rear end view of the graduated bone tap of the subject invention.

The broken lines in the drawings illustrate unclaimed environment only and form no part of the claimed design. The graduated bone tap is shown with symbolic breaks in its length. The appearance of any portion of the article between the break lines forms no part of the claimed design.

1 Claim, 2 Drawing Sheets



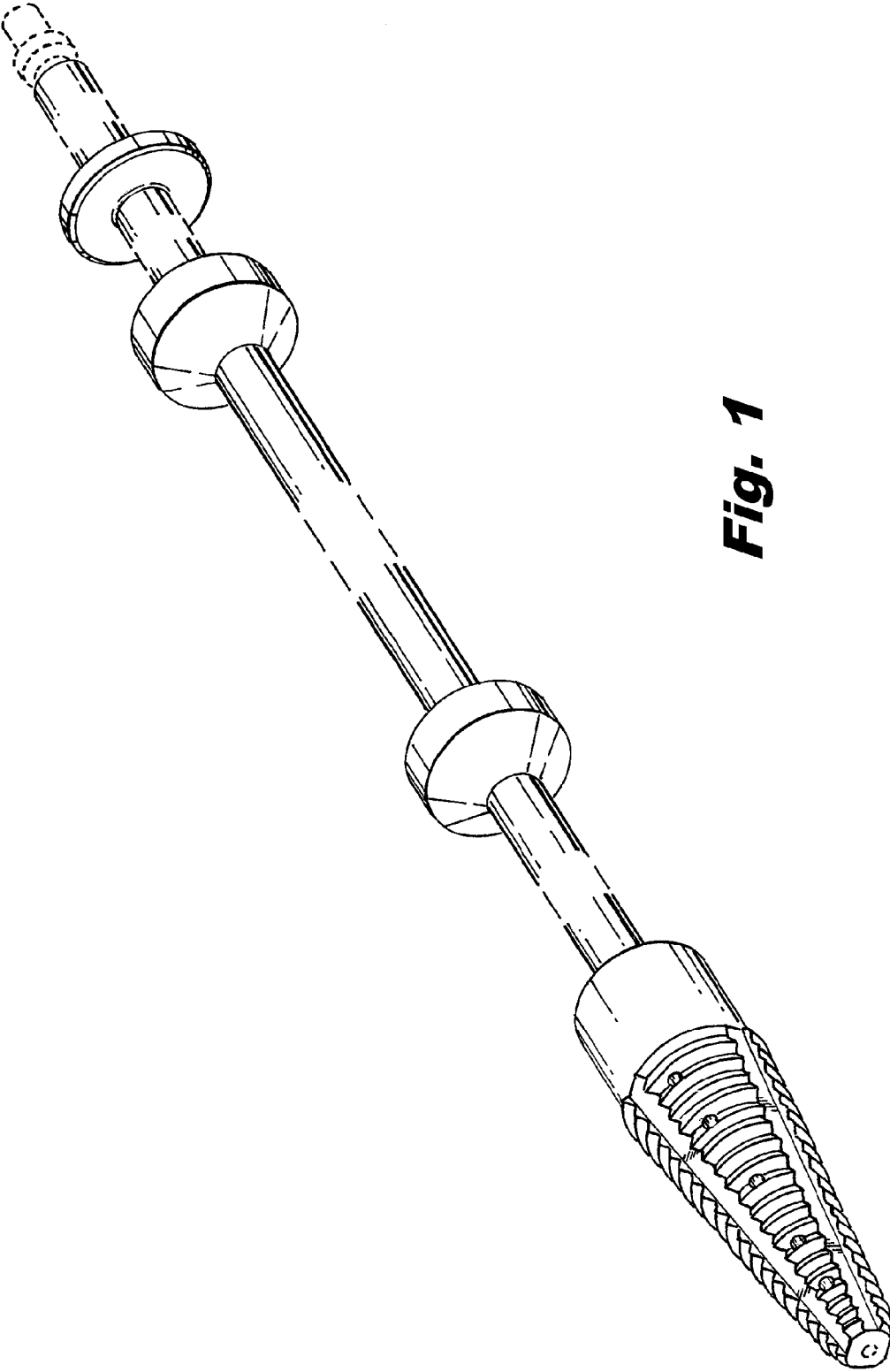


Fig. 1

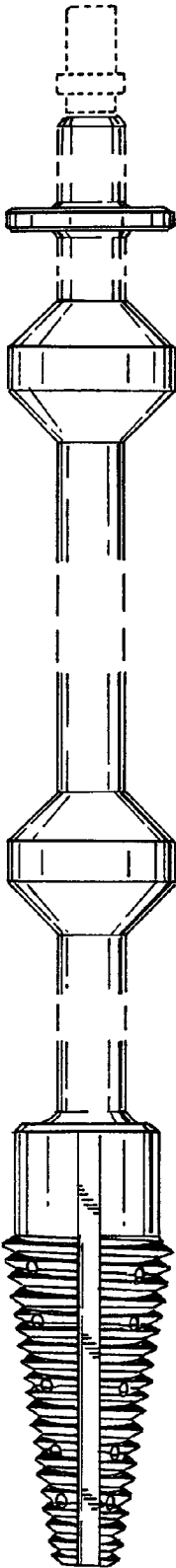


Fig. 2

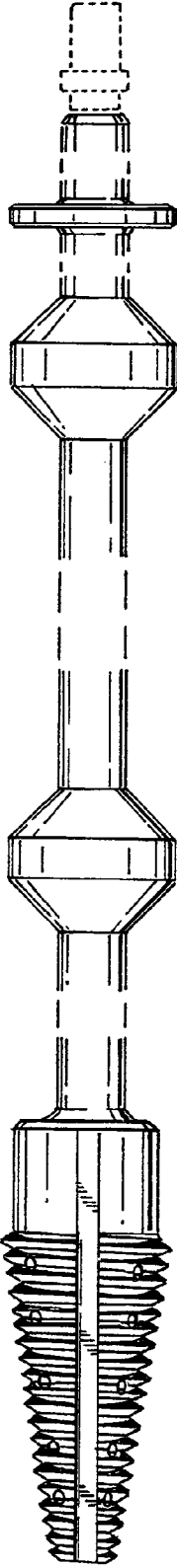


Fig. 3

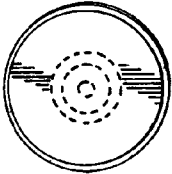


Fig. 4

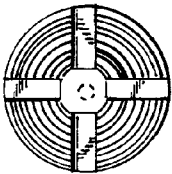


Fig. 5