



US00D855499S

(12) **United States Design Patent**
Siegel et al.

(10) **Patent No.:** **US D855,499 S**

(45) **Date of Patent:** **** Aug. 6, 2019**

(54) **HOOK AND SHACKLE MOUNT ASSEMBLY**

(71) Applicant: **HORIZON GLOBAL AMERICAS INC.**, Plymouth, MI (US)

(72) Inventors: **Theodore J. Siegel**, Mayfield Heights, OH (US); **Eric Yukich**, Stow, OH (US); **Michael Maurer**, Euclid, OH (US); **Doug Soulsby**, Stow, OH (US); **Alex Meyer**, Cleveland, OH (US)

(73) Assignee: **HORIZON GLOBAL AMERICAS INC.**, Plymouth, MI (US)

(**) Term: **15 Years**

(21) Appl. No.: **29/614,527**

(22) Filed: **Aug. 21, 2017**

(51) **LOC (12) Cl.** **12-16**

(52) **U.S. Cl.**
USPC **D12/162**

(58) **Field of Classification Search**
CPC . B60D 1/60; B60D 1/065; B60D 1/00; B60D 1/06

See application file for complete search history.

(56) **References Cited**

U.S. PATENT DOCUMENTS

6,789,815 B2 *	9/2004	Moss	B60D 1/06 280/416.1
D699,098 S *	2/2014	Fretz	D8/367
D729,703 S *	5/2015	Song	D12/162
D790,408 S *	6/2017	Wymore	D12/162

D794,516 S *	8/2017	Siegel	D12/162
9,958,001 B2 *	5/2018	Liu	F16B 45/02
D832,156 S *	10/2018	Johns	D12/162
D834,464 S *	11/2018	Cincunegui	D12/162
D841,526 S *	2/2019	Siegel	D12/162
2003/0052472 A1 *	3/2003	Moss	B60D 1/06 280/415.1
2007/0176446 A1 *	8/2007	Eising	B66C 1/34 294/82.17
2018/0079266 A1 *	3/2018	Cincunegui	B60D 1/06

* cited by examiner

Primary Examiner — Katrina A Betton

(74) *Attorney, Agent, or Firm* — McDonald Hopkins LLC

(57) **CLAIM**

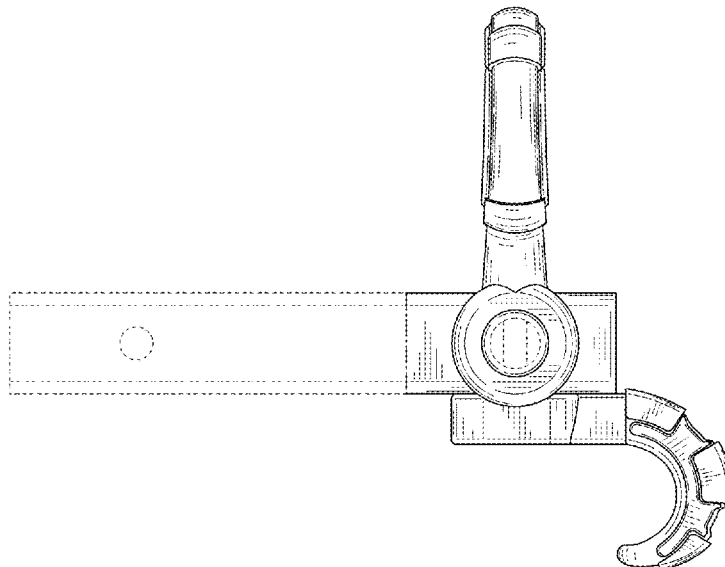
The ornamental design for a hook and shackle mount assembly, as shown and described.

DESCRIPTION

FIG. 1 is a perspective view of a first embodiment of a hook and shackle mount assembly showing our new design; FIG. 2 is a first side view of FIG. 1 thereof; FIG. 3 is a second side view of FIG. 1 thereof; FIG. 4 is a front side view of FIG. 1 thereof; FIG. 5 is a rear side view of FIG. 1 thereof; FIG. 6 is a bottom view of FIG. 1 thereof; and, FIG. 7 is a top view of FIG. 1 thereof.

The broken lines in the figures are included for the purpose of illustrating portions of a hook and shackle mount assembly and form no part of the claimed design.

1 Claim, 5 Drawing Sheets



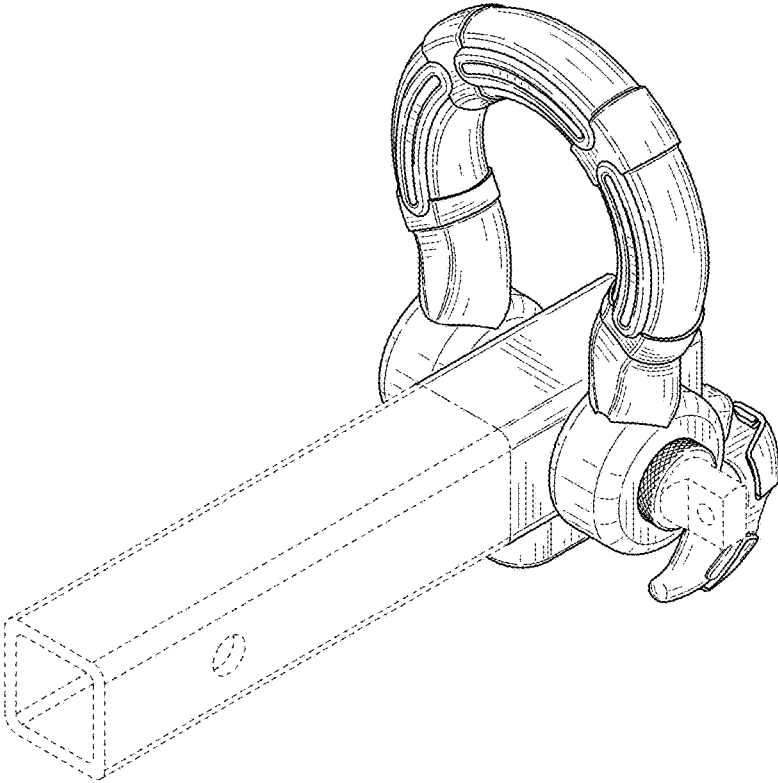


FIG. 1

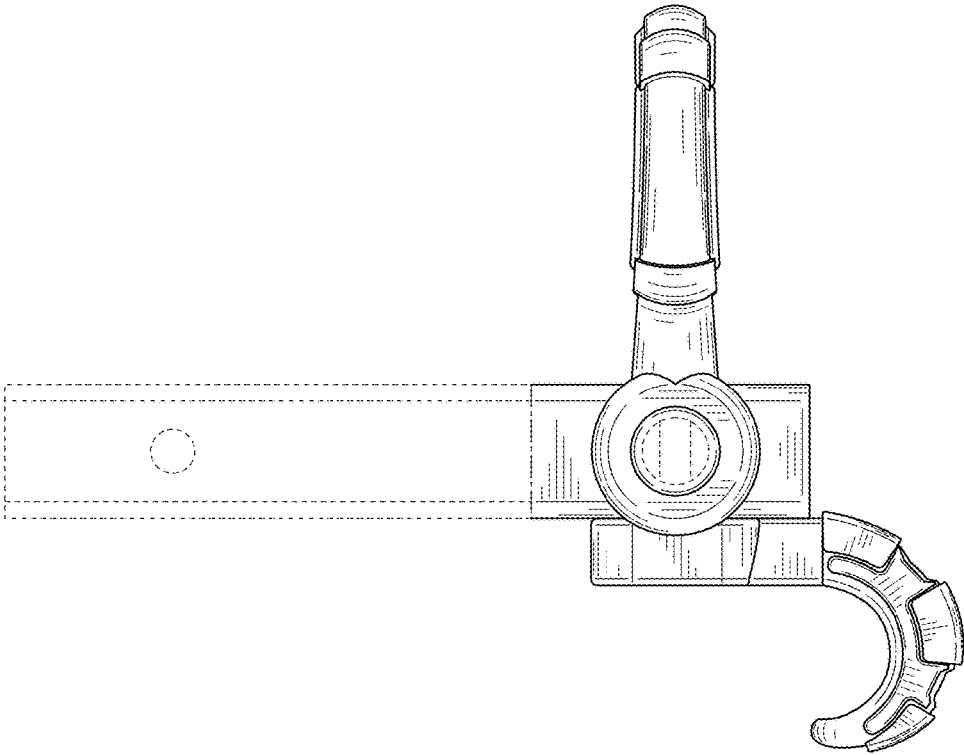


FIG. 2

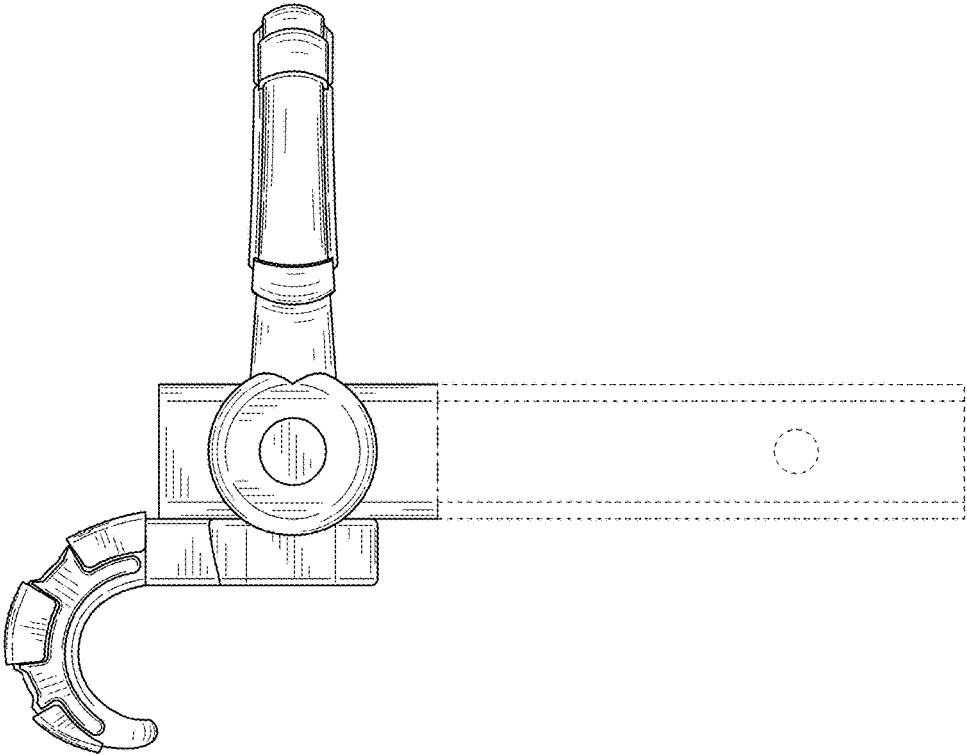


FIG. 3

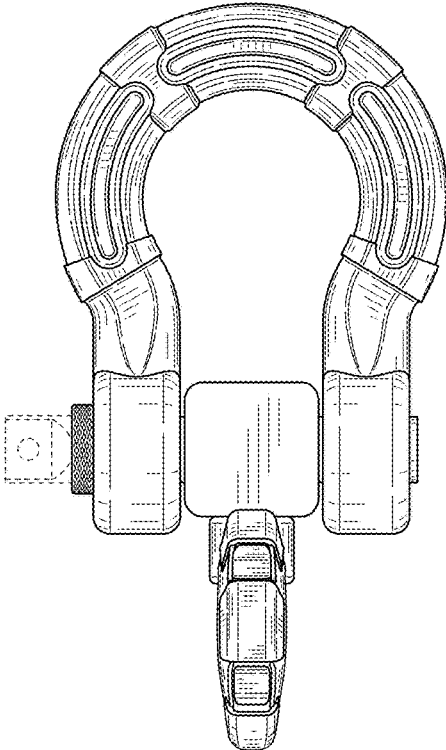


FIG. 4

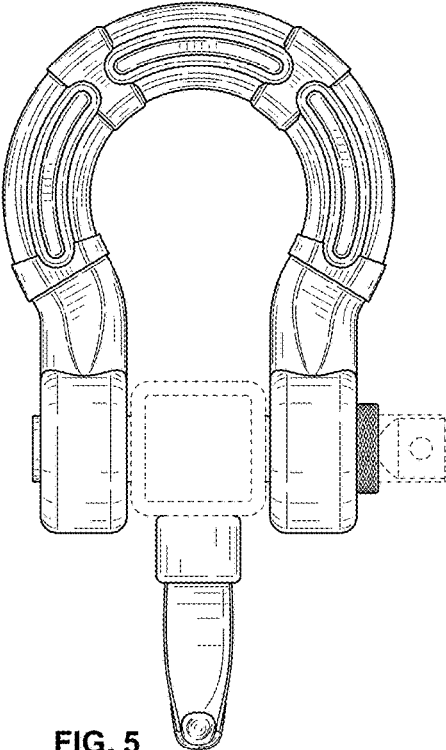


FIG. 5

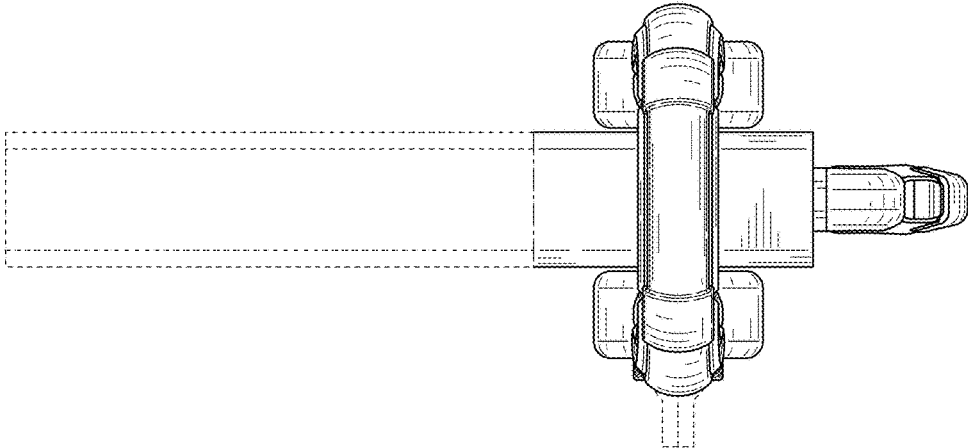


FIG. 6

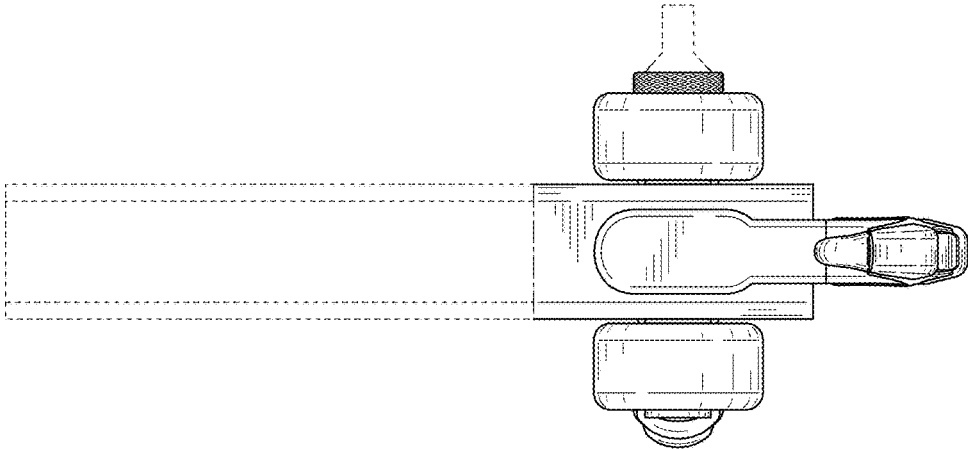


FIG. 7