



(12) **United States Design Patent**
Bell et al.

(10) **Patent No.:** **US D1,020,349 S**
(45) **Date of Patent:** **** Apr. 2, 2024**

(54) **WATER PITCHER**

(56) **References Cited**

(71) Applicant: **BRITA LP**, Oakland, CA (US)

U.S. PATENT DOCUMENTS

(72) Inventors: **Russell E. Bell**, Pleasanton, CA (US);
Madeline A. Donovan, Pleasanton, CA
(US); **Rick T. Nishijima**, Pleasanton,
CA (US); **David Wu Zhong**,
Pleasanton, CA (US); **Scot Herbst**,
Santa Cruz, CA (US); **Piercy Yau**,
Causeway Bay (HK)

5,637,214 A * 6/1997 Kahana C02F 1/003
210/477
D386,041 S 11/1997 Tanner
D388,655 S 1/1998 Flom
D406,003 S 2/1999 Tanner
(Continued)

(73) Assignee: **BRITA LP**, Brampton (CA)

FOREIGN PATENT DOCUMENTS

(**) Term: **15 Years**

JP 2013235480 A * 11/2013
WO WO-2012173232 A1 * 12/2012 B01D 63/02

(21) Appl. No.: **29/875,735**

OTHER PUBLICATIONS

(22) Filed: **May 9, 2023**

The originally filed specification and drawings for pending Design
U.S. Appl. No. 29/825,617, filed Feb. 3, 2023, entitled "Water
Pitcher", 8 pages.

(Continued)

Related U.S. Application Data

(60) Continuation of application No. 29/825,617, filed on
Feb. 3, 2022, and a continuation of application No.
29/825,618, filed on Feb. 3, 2022, which is a division
of application No. 29/752,565, filed on Sep. 28, 2020,
now Pat. No. Des. 964,795, application No.
29/825,617 is a division of application No.
29/752,565, filed on Sep. 28, 2020, now Pat. No. Des.
964,795.

Primary Examiner — Andrew Kerr

(74) *Attorney, Agent, or Firm* — Edell, Shapiro & Finnan,
LLC

(51) **LOC (14) Cl.** **07-01**

(57) **CLAIM**

The ornamental design for a water pitcher, as shown and
described.

(52) **U.S. Cl.**

USPC **D7/316**

DESCRIPTION

(58) **Field of Classification Search**

USPC D7/300, 312, 316-319, 397, 399, 400,
D7/510, 511, 515, 523, 598; D9/516,
D9/547, 523, 527, 528
CPC .. A47G 19/14; A47G 19/12; A47G 2019/122;
A47G 19/127; A47J 27/21; A47J
21/21008; A47J 31/40

FIG. 1 is a perspective view of a pitcher showing the new
design;

FIG. 2 is a top view thereof;

FIG. 3 is a bottom view thereof;

FIG. 4 is a left side view thereof;

FIG. 5 is a right side view thereof;

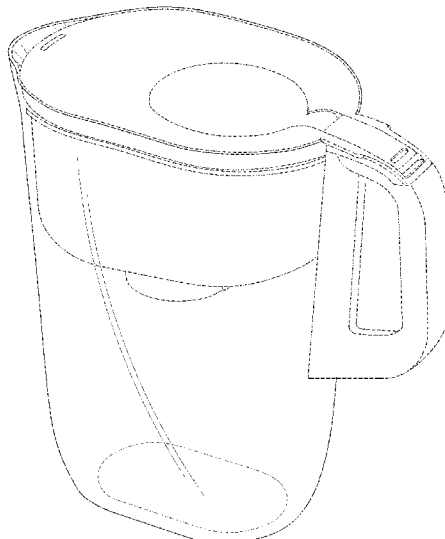
FIG. 6 is a front view thereof; and,

FIG. 7 is a back view thereof.

The broken lines in the drawings depict portions of the water
pitcher that form no part of the claimed design.

See application file for complete search history.

1 Claim, 7 Drawing Sheets



(56)

References Cited

U.S. PATENT DOCUMENTS

5,900,138 A * 5/1999 Moretto C02F 1/003
 210/473
 D416,163 S * 11/1999 Doritty D7/319
 D421,361 S 3/2000 Coulson
 D439,790 S 4/2001 Matsushita
 6,387,260 B1 5/2002 Pimenov et al.
 D520,597 S * 5/2006 Witte D7/319
 D546,113 S * 7/2007 Ruoff D23/209
 D558,516 S 1/2008 Bulala et al.
 D573,394 S * 7/2008 Tullney D23/209
 7,438,799 B2 * 10/2008 Vandenbelt C02F 1/003
 210/138
 D583,612 S * 12/2008 Wu D7/319
 D584,913 S 1/2009 Green et al.
 D585,231 S 1/2009 Bulala
 D595,534 S 7/2009 Mankowitz
 D598,233 S 8/2009 Ma
 D604,088 S * 11/2009 Bursztein D7/319
 7,670,479 B2 * 3/2010 Arett C02F 1/003
 210/474
 D616,694 S * 6/2010 Kulikov D23/209
 D625,947 S 10/2010 Olsen et al.
 D626,778 S * 11/2010 Bell D7/319
 D626,779 S 11/2010 Bell
 D630,894 S 1/2011 Harris et al.
 D632,520 S * 2/2011 Bell D7/319
 D636,627 S * 4/2011 Harris D7/319
 D638,246 S * 5/2011 Harris D7/319
 D639,102 S * 6/2011 Harris D7/319
 8,177,966 B2 * 5/2012 Wu C02F 1/003
 210/260
 D668,094 S * 10/2012 Broen D7/319
 D675,861 S * 2/2013 Gray D7/317
 D677,360 S * 3/2013 Sheppard D23/209
 D680,789 S * 4/2013 Bell D7/319
 D688,909 S * 9/2013 Chapman D7/317
 D728,298 S * 5/2015 Ma D7/319
 9,282,836 B2 * 3/2016 Nishijima A47G 19/12
 D770,010 S * 10/2016 Poindexter D23/209
 D773,013 S * 11/2016 Poindexter D23/209
 D774,622 S * 12/2016 Poindexter D23/209
 D775,711 S * 1/2017 Poindexter D23/209
 D789,135 S * 6/2017 Green D7/317
 D789,727 S * 6/2017 Rummel D9/742
 D794,993 S * 8/2017 Hand D7/319
 D798,643 S * 10/2017 Rummel D7/318
 D815,482 S * 4/2018 Bell D7/316
 D823,042 S * 7/2018 Bell D7/319

D833,795 S * 11/2018 Bell D7/318
 D834,362 S * 11/2018 Bell D7/318
 10,178,921 B1 * 1/2019 Rinker A47G 19/12
 D882,322 S * 4/2020 Anderson D7/317
 D889,182 S * 7/2020 Zhang D7/318
 D891,168 S * 7/2020 Zou D7/319
 D961,979 S * 8/2022 Zou D7/318
 D963,391 S 9/2022 Bell et al.
 2006/0162806 A1 * 7/2006 Hengesperger A47J 31/605
 141/286
 2011/0084006 A1 * 4/2011 Wu C02F 1/003
 210/85
 2011/0300275 A1 * 12/2011 Lackey C02F 1/003
 426/431
 2015/0021363 A1 * 1/2015 Nishijima A47G 19/12
 222/472

OTHER PUBLICATIONS

The originally filed specification and drawings for pending Design U.S. Appl. No. 29/825,618, filed Feb. 3, 2023, entitled "Water Pitcher", 8 pages.
 The originally filed specification and drawings for pending Design U.S. Appl. No. 29/875,730, filed May 9, 2023, entitled "Water Pitcher", 9 pages.
 The originally filed specification and drawings for pending Design U.S. Appl. No. 29/875,732, filed May 9, 2023, entitled "Water Pitcher", 9 pages.
 The originally filed specification and drawings for pending Design U.S. Appl. No. 29/875,733, filed May 9, 2023, entitled "Water Pitcher", 9 pages.
 The originally filed specification and drawings for pending Design U.S. Appl. No. 29/875,736, filed May 9, 2023, entitled "Water Pitcher", 9 pages.
 The originally filed specification and drawings for pending Design U.S. Appl. No. 29/875,740, filed May 9, 2023, entitled "Water Pitcher", 9 pages.
 The originally filed specification and drawings for pending Design U.S. Appl. No. 29/875,742, filed May 9, 2023, entitled "Water Pitcher", 9 pages.
 The originally filed specification and drawings for pending Design U.S. Appl. No. 29/875,743, filed May 9, 2023, entitled "Water Pitcher", 9 pages.
 The originally filed specification and drawings for pending Design U.S. Appl. No. 29/875,808, filed May 10, 2023, entitled "Reservoir for a Pitcher", 13 pages.

* cited by examiner

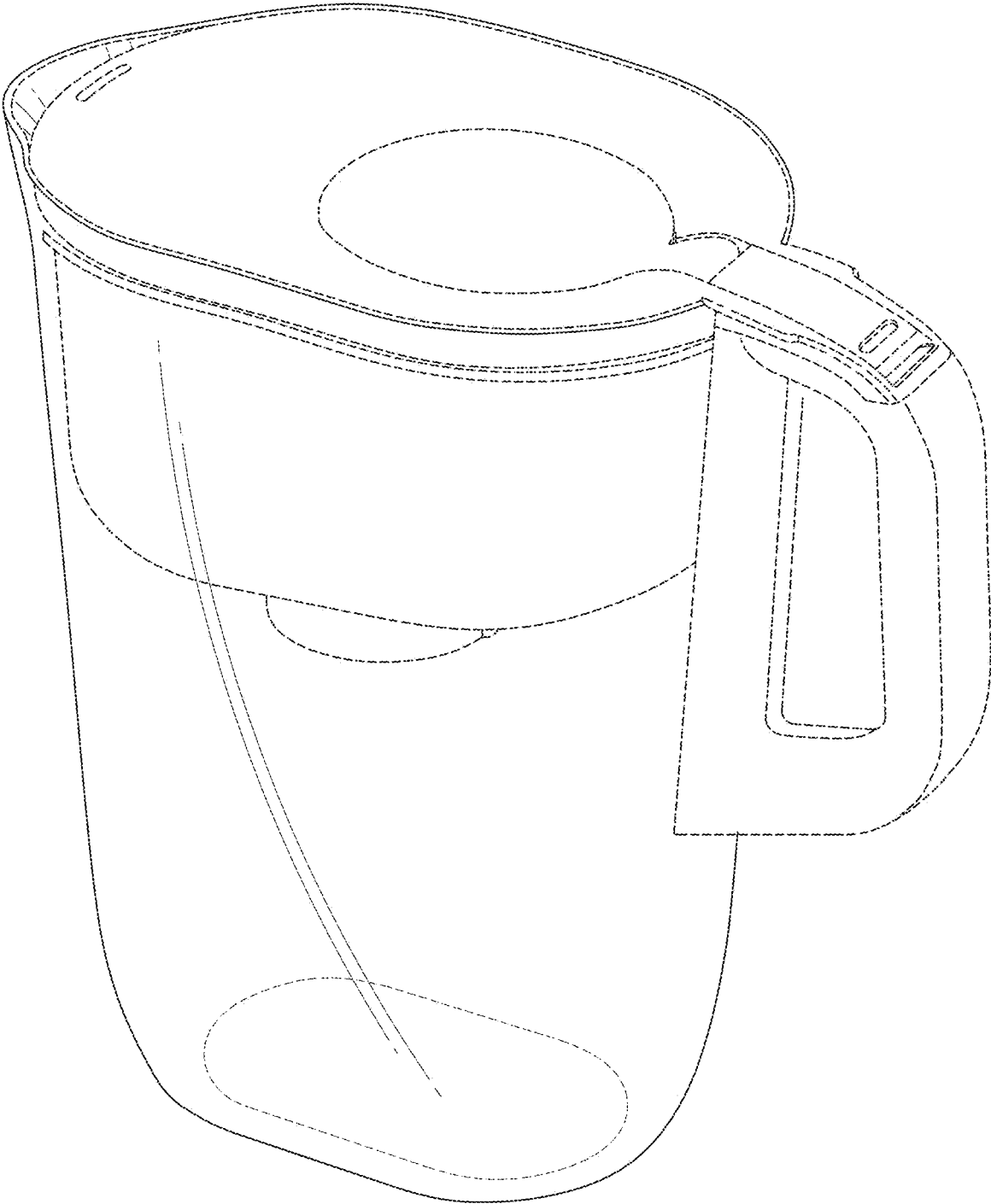


FIG.1

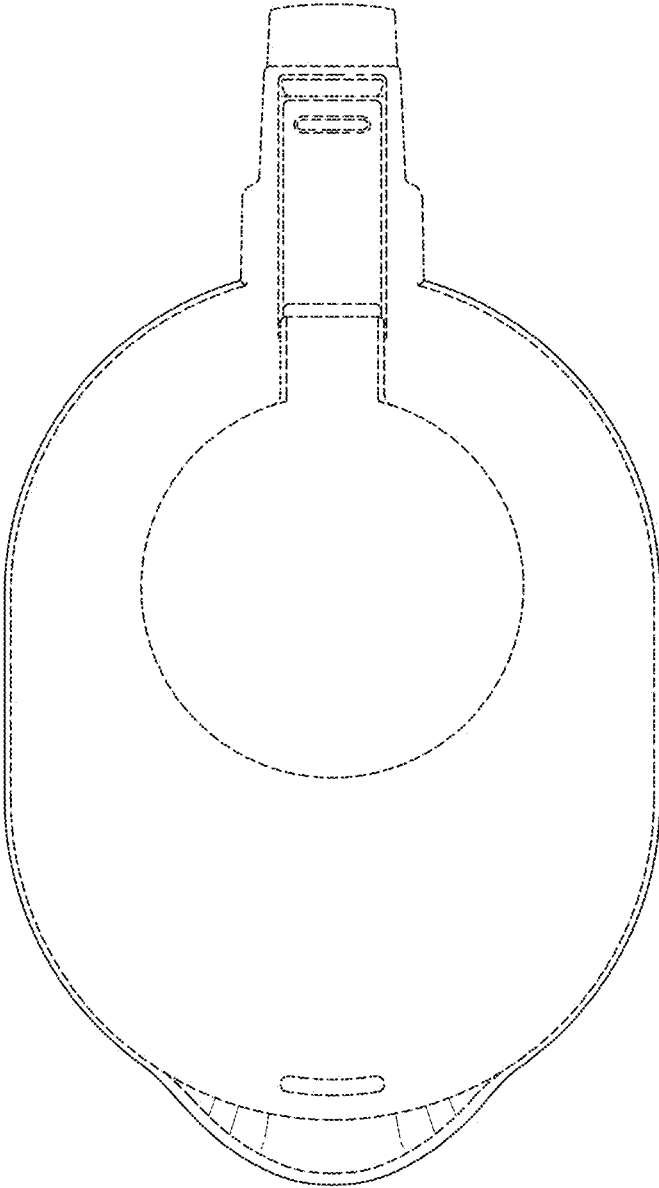


FIG.2

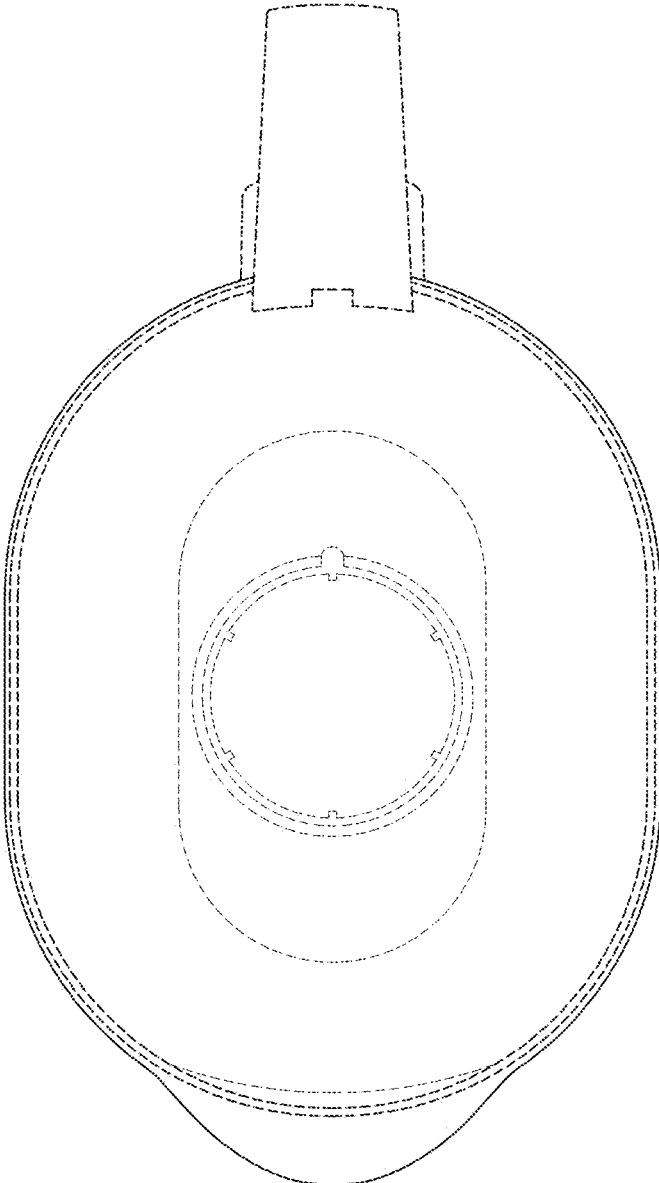


FIG.3

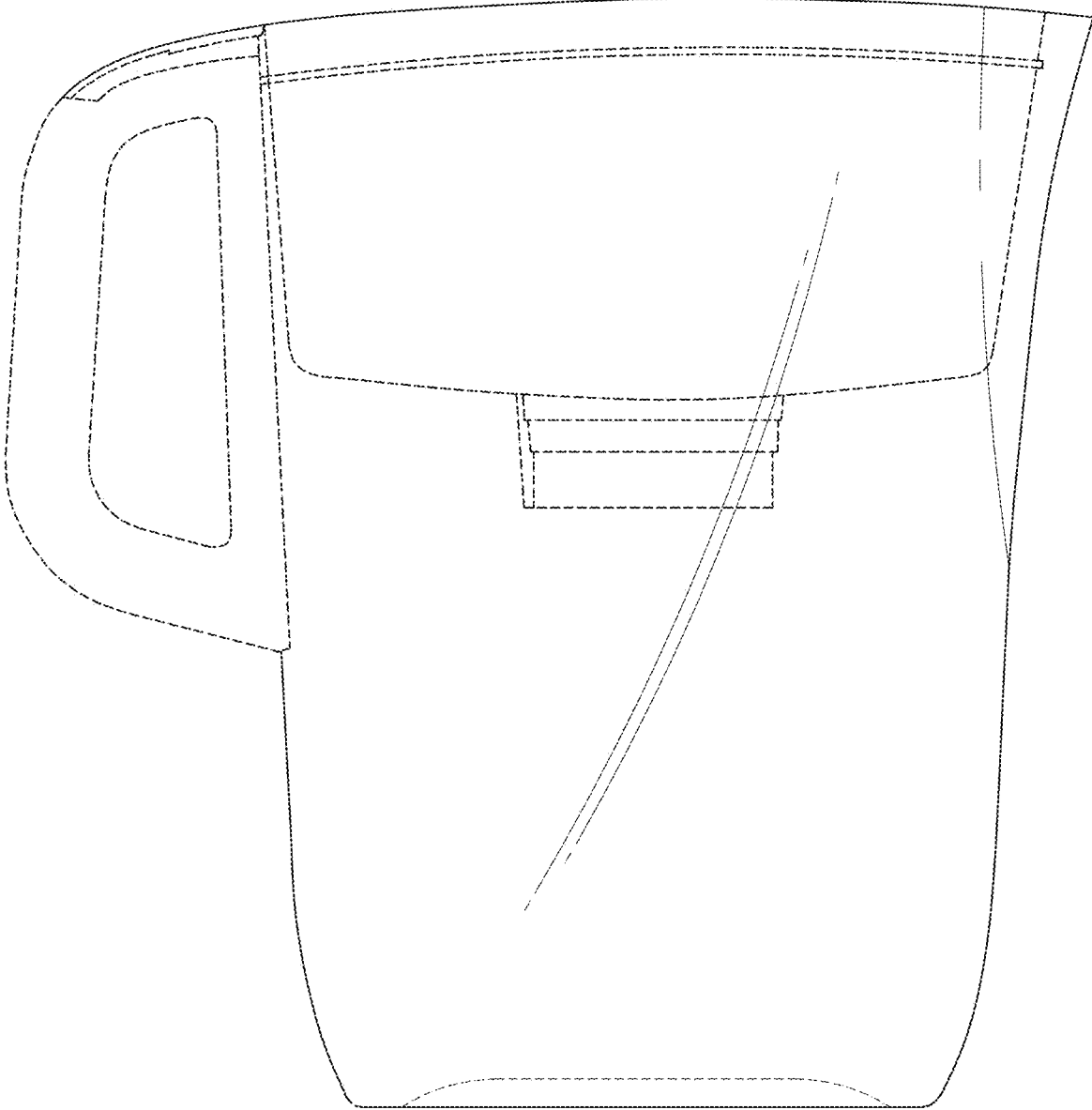


FIG.4

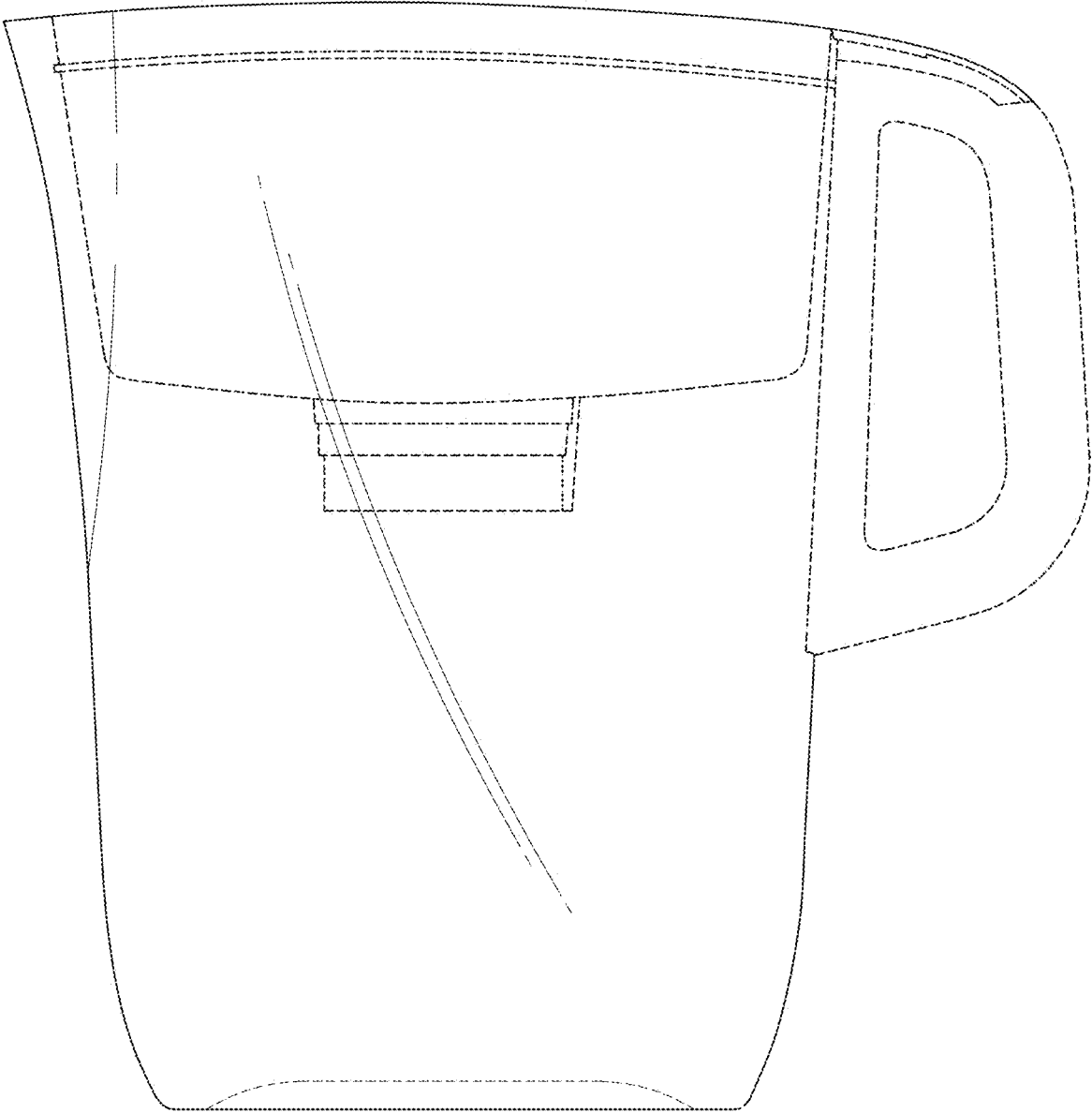


FIG.5

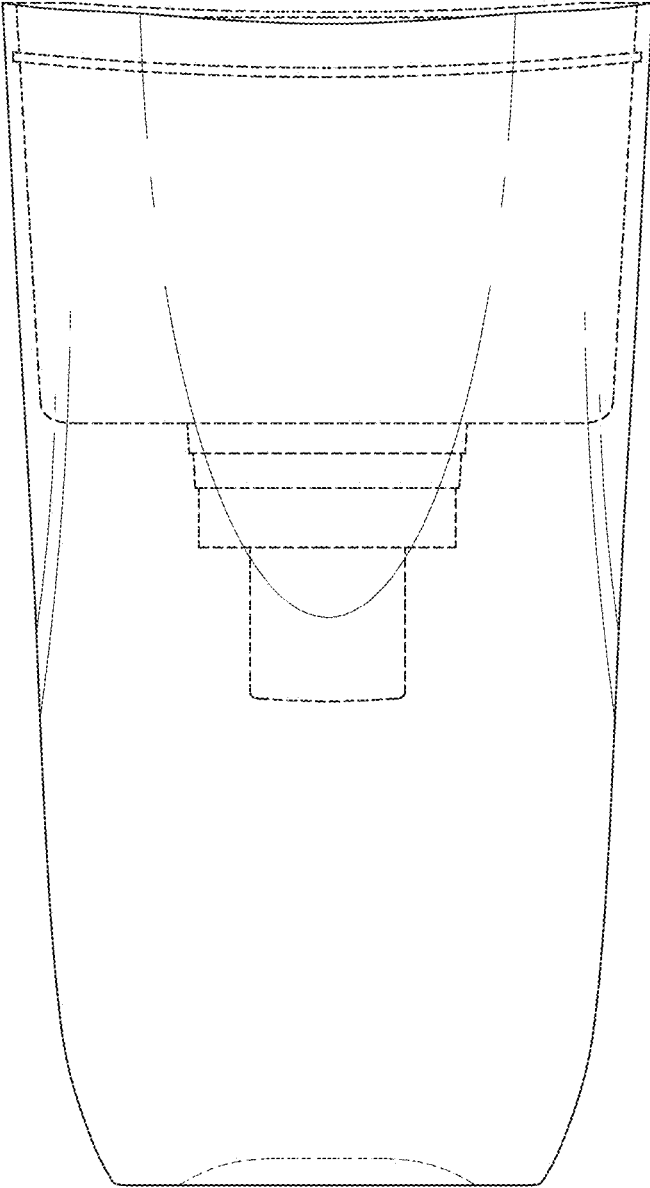


FIG.6

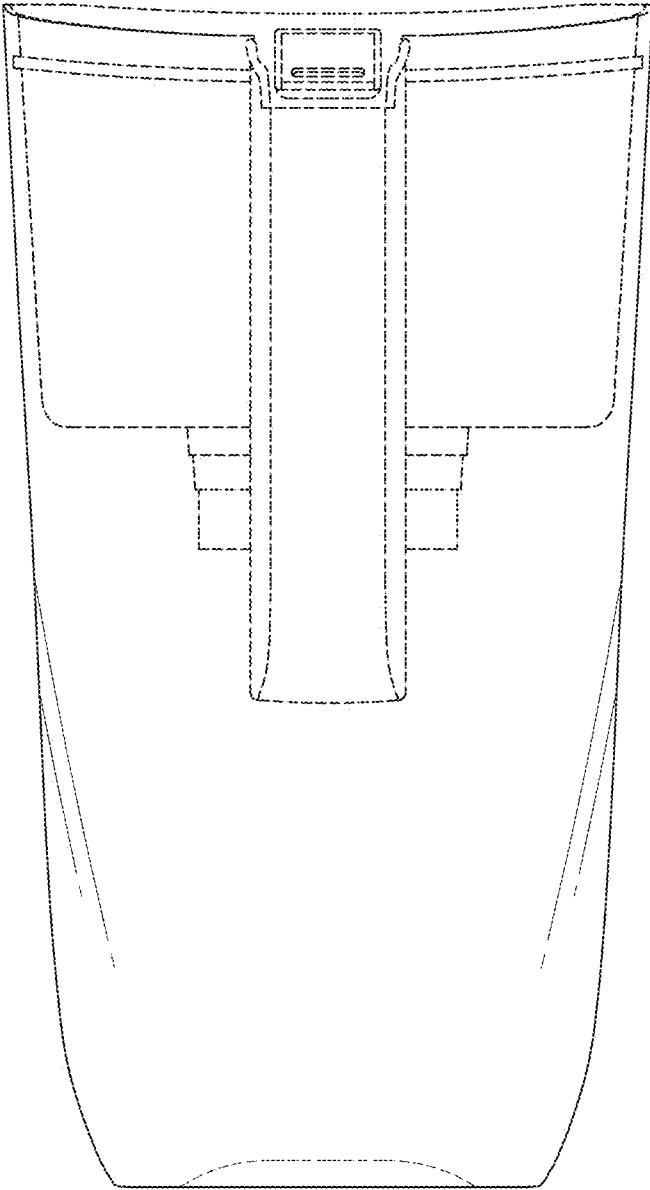


FIG.7