



US00D834935S

(12) **United States Design Patent**
Lubric

(10) **Patent No.:** **US D834,935 S**

(45) **Date of Patent:** **** Dec. 4, 2018**

- (54) **CONTAINER WITH HANDLE**
- (71) Applicant: **BWAY Corporation**, Atlanta, GA (US)
- (72) Inventor: **Frano Luburic**, Costa Mesa, CA (US)
- (73) Assignee: **BWAY CORPORATION**, Atlanta, GA (US)
- (**) Term: **15 Years**
- (21) Appl. No.: **29/598,199**

6,772,902	B1	8/2004	White	
D513,122	S	12/2005	Greene	
D513,451	S	1/2006	Richardson	
D524,119	S *	7/2006	Kim	D7/615
D530,616	S *	10/2006	Kipperman	D9/529
D544,798	S *	6/2007	Young	D9/530
D556,041	S *	11/2007	Flanagan-Kent	D9/531

(Continued)

- (22) Filed: **Mar. 23, 2017**
- (51) **LOC (11) Cl.** **09-03**
- (52) **U.S. Cl.**
- USPC **D9/423**
- (58) **Field of Classification Search**
- USPC D9/414, 417, 423, 501, 504, 516, 517,
D9/545, 546, 549-552, 559, 564, 571,
D9/574, 575, 449, 904; D7/543, 587,
D7/601-602, 612, 614-615, 630, 691;
D10/46.2; D6/634; 215/379; 220/269;
229/117.01
- CPC B65D 1/02; B65D 1/0223
- See application file for complete search history.

OTHER PUBLICATIONS

Webstaurantstore, announced Dec. 11, 2013, [online], [site visited Jan. 17, 2018]. Available from Internet, URL: https://www.webstaurantstore.com/kitchenaid-k5gb-5-qt-glass-mixing-bowl-with-handle-and-lid-for-stand-mixers/519K5GB.html?utm_source=Google&utm_medium=cpc&utm_campaign=GoogleShopping&gclid=EAlalQobChMjKjB3vz.*

(Continued)

Primary Examiner — Barbara Fox
Assistant Examiner — Mehri F Bajoul
(74) *Attorney, Agent, or Firm* — Morris, Manning & Martin, LLP; Daniel E. Sineway, Esq.; Bryan D. Stewart, Esq.

(56) **References Cited**

U.S. PATENT DOCUMENTS

4,170,315	A	10/1979	Dubach et al.	
4,705,172	A	11/1987	Gage	
5,100,015	A	3/1992	Vanderstuyf	
D350,876	S *	9/1994	VanValkenburg	D7/612
5,353,946	A	10/1994	Behrend	
D363,669	S	10/1995	Pennoyer, Jr.	
5,577,779	A	11/1996	Dangel	
D377,902	S *	2/1997	Marucci	D9/534
D442,438	S *	5/2001	Schankowski	D14/168
D449,782	S	10/2001	Diaz	
D457,038	S *	5/2002	Umans	D7/605
D464,791	S	10/2002	Lemoine	
D473,789	S	4/2003	Crawford	
D484,797	S	1/2004	Kipperman et al.	
D489,530	S	5/2004	Lindsay	

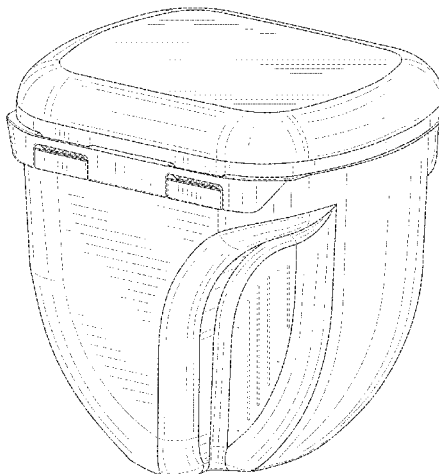
(57) **CLAIM**

The ornamental design for a container with handle, as shown and described.

DESCRIPTION

FIG. 1 is a perspective view of a container with handle, according to the new design;
FIG. 2 is a front elevational view thereof;
FIG. 3 is a rear elevational view thereof;
FIG. 4 is a left elevational view thereof;
FIG. 5 is a right elevational view thereof;
FIG. 6 is a top plan view thereof; and,
FIG. 7 is a bottom plan view thereof.
The broken lines in the drawings depict portions of the container with handle that form no part of the claimed design.

1 Claim, 7 Drawing Sheets



(56)

References Cited

U.S. PATENT DOCUMENTS

D560,489 S 1/2008 Satnick et al.
 D562,160 S * 2/2008 Cohen D10/46.2
 D569,720 S 5/2008 Lablaine
 D573,844 S * 7/2008 Hanson D7/605
 D581,793 S * 12/2008 Manderfield, Jr. D9/516
 7,784,635 B2 * 8/2010 Luburic B65D 1/24
 220/505
 D641,164 S 7/2011 Cornu
 D644,437 S 9/2011 Lintula
 D663,111 S 7/2012 Paslawski
 D673,453 S * 1/2013 Luburic D9/516
 8,733,550 B2 * 5/2014 Harvey B65D 53/02
 206/508
 8,733,566 B2 5/2014 Druitt et al.
 8,839,975 B2 * 9/2014 Luburic B65D 25/32
 220/254.3
 D731,329 S * 6/2015 Joseph D10/46.2
 D760,073 S * 6/2016 Mather D9/432
 D784,089 S * 4/2017 Furneaux D7/605
 D807,170 S * 1/2018 Fisher D9/428
 2004/0084464 A1 * 5/2004 Koo B65D 43/0218
 220/784
 2006/0076260 A1 * 4/2006 Luburic B65D 1/24
 206/503
 2007/0007297 A1 1/2007 Li
 2007/0187277 A1 * 8/2007 Furlong B65D 21/022
 206/515
 2009/0289066 A1 * 11/2009 DiPietro B65D 43/0212
 220/324

2010/0308066 A1 * 12/2010 Perry B65D 25/2897
 220/810
 2011/0024421 A1 * 2/2011 Luburic B65D 25/32
 220/265
 2011/0024942 A1 * 2/2011 Luburic B65D 1/24
 264/241
 2011/0031246 A1 * 2/2011 Massey, Jr. B65D 43/0249
 220/214
 2012/0205375 A1 * 8/2012 Hudson B65D 43/0212
 220/212
 2013/0233753 A1 * 9/2013 Harvey B65D 53/02
 206/508
 2014/0144867 A1 5/2014 Giraud et al.
 2014/0190969 A1 * 7/2014 Huang B65D 77/2032
 220/268
 2016/0101908 A1 * 4/2016 Minnette B65D 55/026
 220/214

OTHER PUBLICATIONS

Bed Bath & Beyond, announced Apr. 17, 2011, [online],[site visited Jan. 17, 2018]. Available from Internet, URL: <https://www.bedbathandbeyond.com/1/1/46493-pyrex-8-cup-measuring-cup-lid.html#BVRRWidgetID>.
 Alibaba, "Guangzhou factory wholesale high quality clothes cleaning laundry detergent", Accessed Feb. 20, 2018 https://www.alibaba.com/product-detail/Guangzhou-factory-wholesale-high-quality-clothes_60594202908.html.
 International Search Report and Written Opinion dated Feb. 22, 2018, mailed in International Application No. PCT/US17/66310.

* cited by examiner

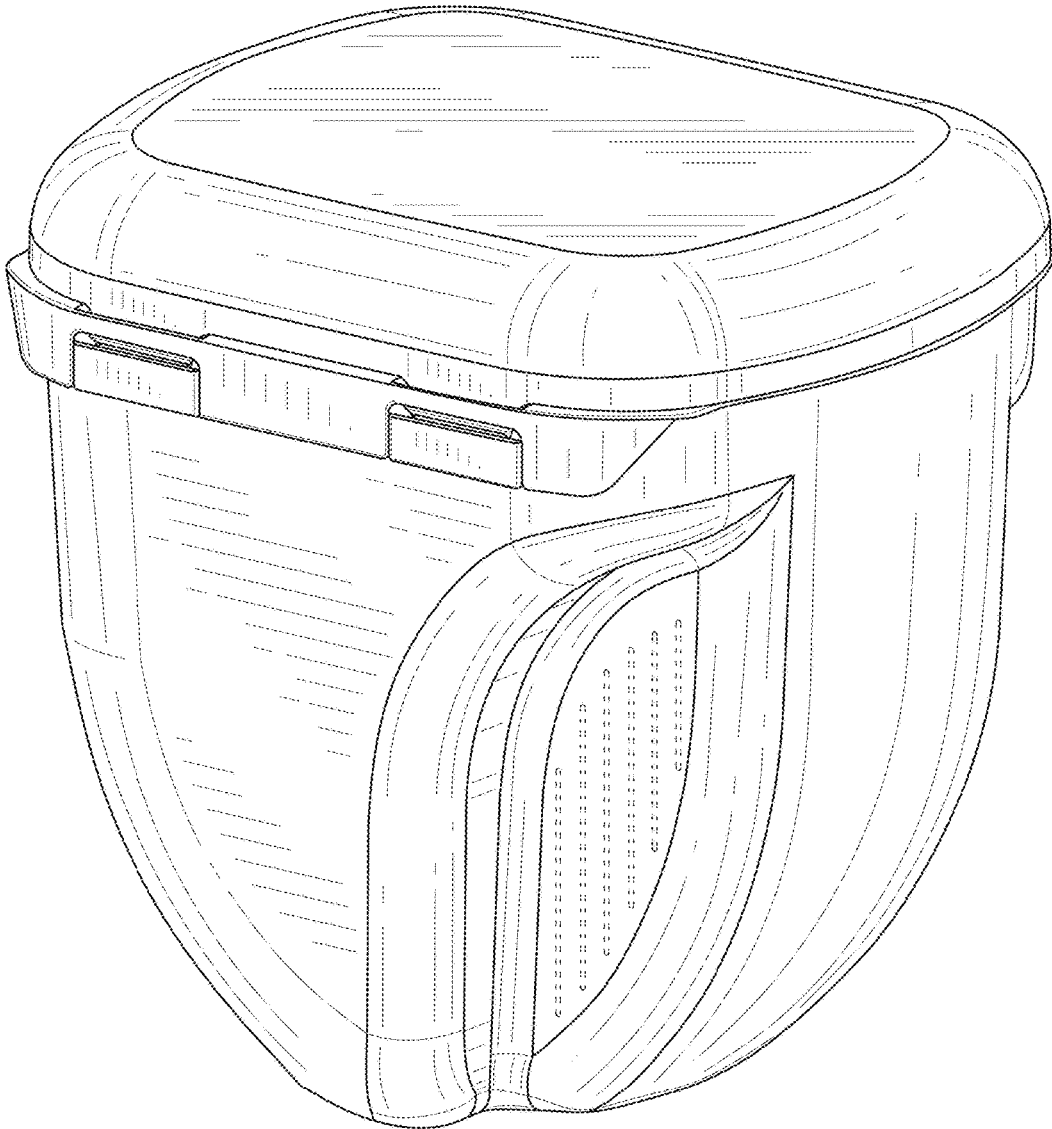


FIG. 1

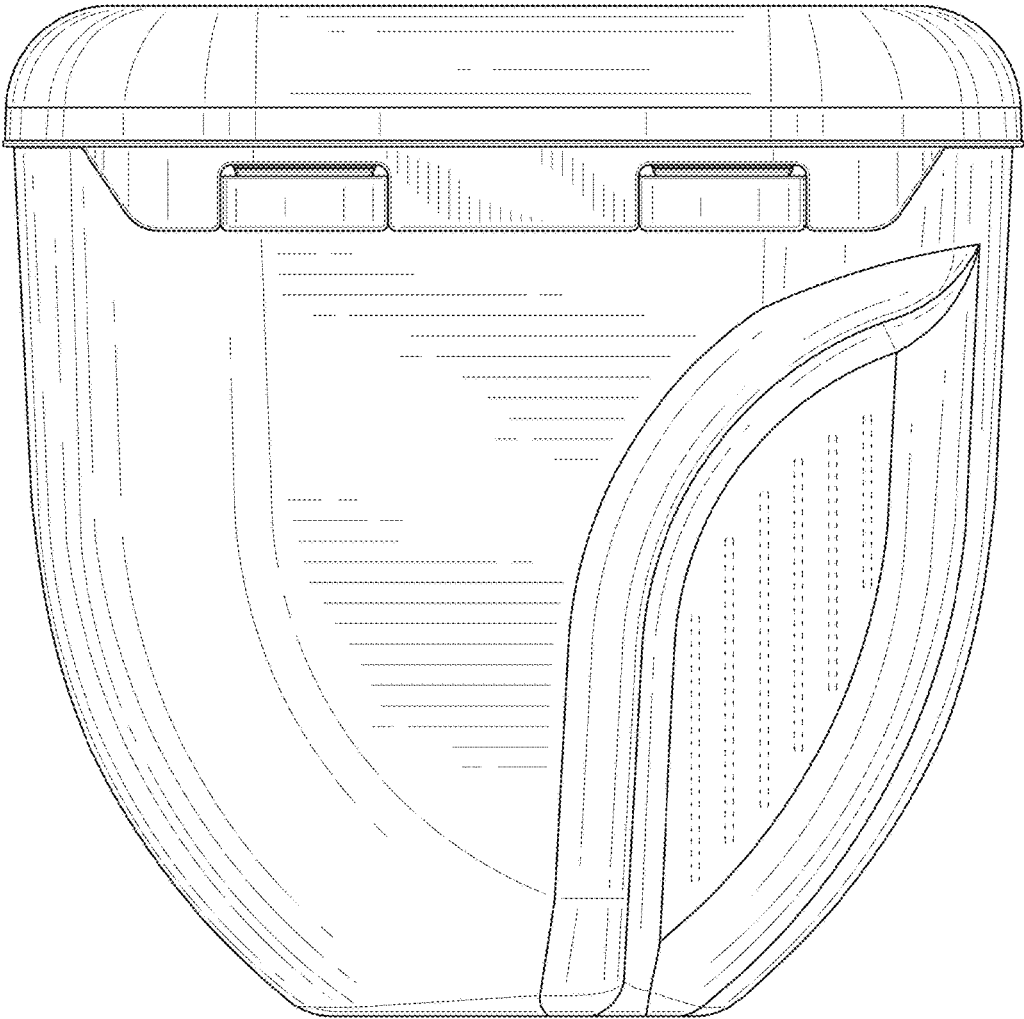


FIG. 2

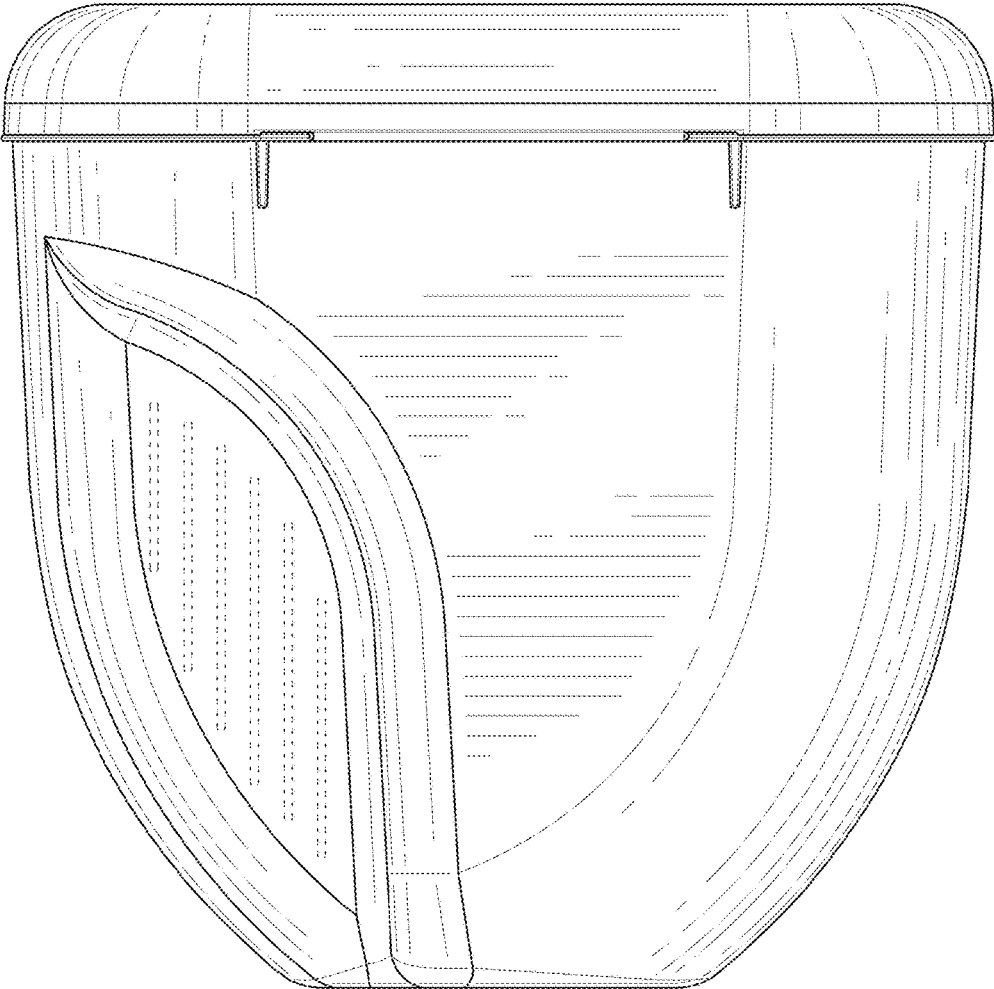


FIG. 3

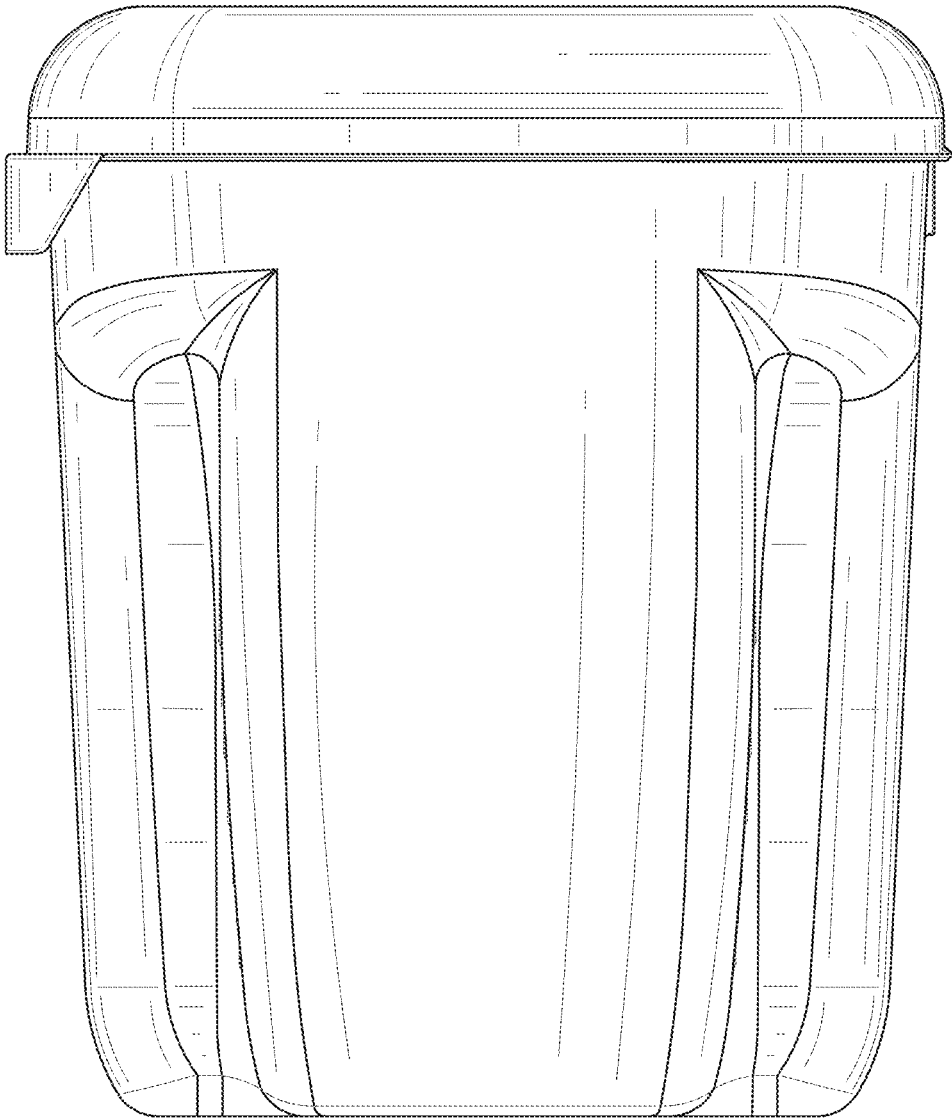


FIG. 4

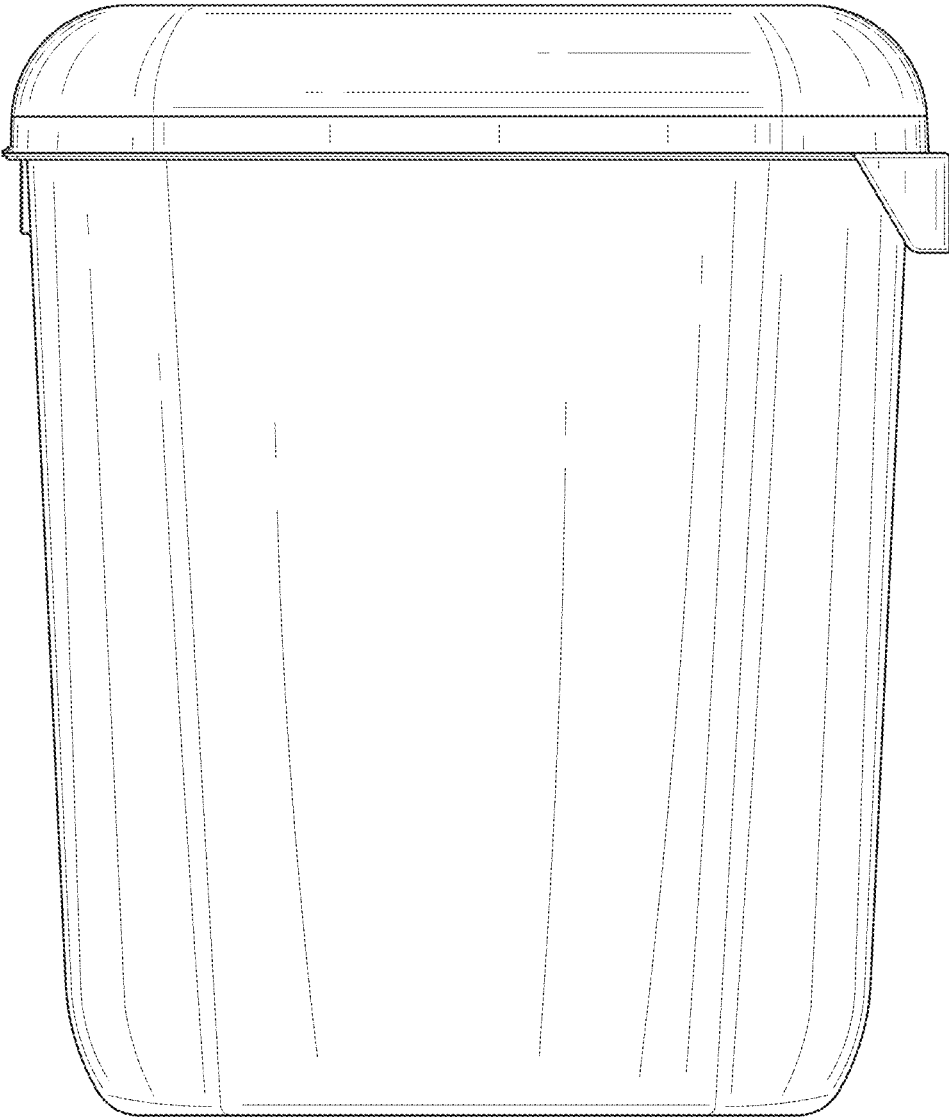


FIG. 5

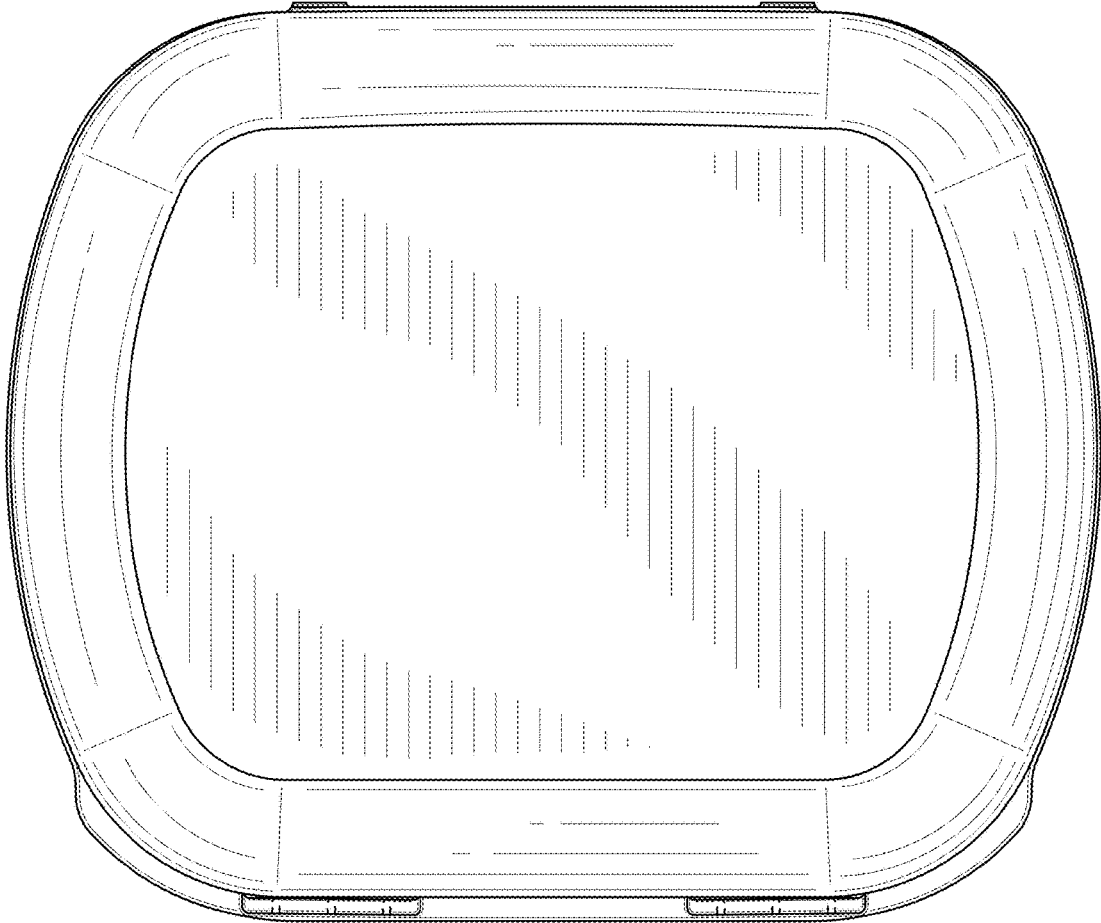


FIG. 6

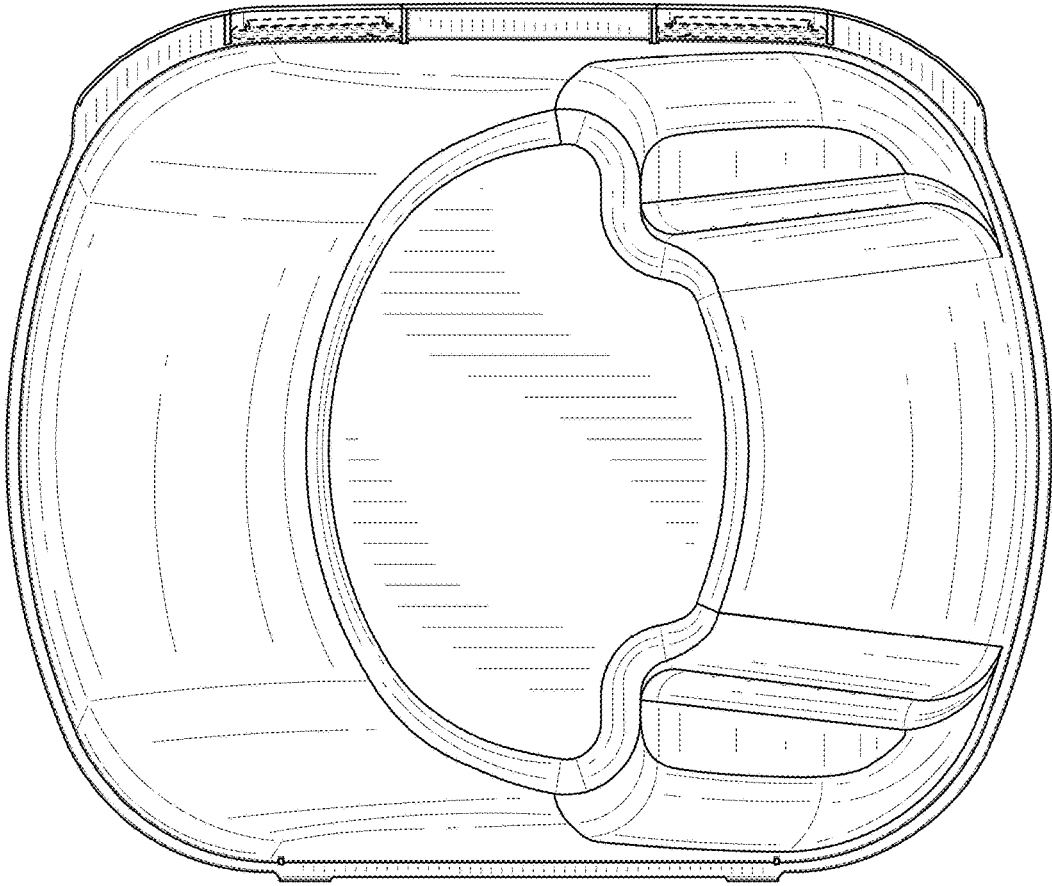


FIG. 7