

US00D552638S

(12) **United States Design Patent**
Willibald

(10) **Patent No.:** **US D552,638 S**

(45) **Date of Patent:** **** Oct. 9, 2007**

(54) **CUTTING BODY FOR ROTORS USED TO PULVERIZE ORGANIC MATERIALS**

(75) Inventor: **Artur Willibald**, Überlingen (DE)

(73) Assignee: **AHWI Maschinenbau GmbH**, Herdwangen (DE)

(**) Term: **14 Years**

(21) Appl. No.: **29/261,841**

(22) Filed: **Jun. 20, 2006**

(51) **LOC (8) Cl.** **15-09**

(52) **U.S. Cl.** **D15/123**

(58) **Field of Classification Search** D15/123,
D15/131, 138, 139, 141; 241/73, 74, 189.1,
241/193-197, 294, 300; 407/112-119
See application file for complete search history.

(56) **References Cited**

U.S. PATENT DOCUMENTS

| | | | | | |
|-----------|-----|---------|------------------|-------|---------|
| 4,202,504 | A * | 5/1980 | Cameron | | 241/194 |
| D343,399 | S * | 1/1994 | Meyer | | D15/139 |
| 5,513,485 | A * | 5/1996 | Hashimoto et al. | | 241/194 |
| D416,567 | S * | 11/1999 | Vogelsanger | | D15/139 |
| D426,556 | S * | 6/2000 | Bradley et al. | | D15/123 |

6,971,598 B2 * 12/2005 Schillinger et al. 241/194
2004/0177892 A1 * 9/2004 Crittenden et al. 140/123.6

* cited by examiner

Primary Examiner—Antoine D. Davis

Assistant Examiner—Patricia Palasik

(74) *Attorney, Agent, or Firm*—Alleman Hall McCoy Russell & Tuttle LLP

(57) **CLAIM**

The ornamental design for a cutting body for rotors used to pulverize organic materials, as shown and described.

DESCRIPTION

FIG. 1 is a perspective view of a cutting body for rotors used to pulverize organic materials according to the present invention.

FIG. 2 is a front view of the cutting body of FIG. 1.

FIG. 3 is a rear view of the cutting body of FIG. 1.

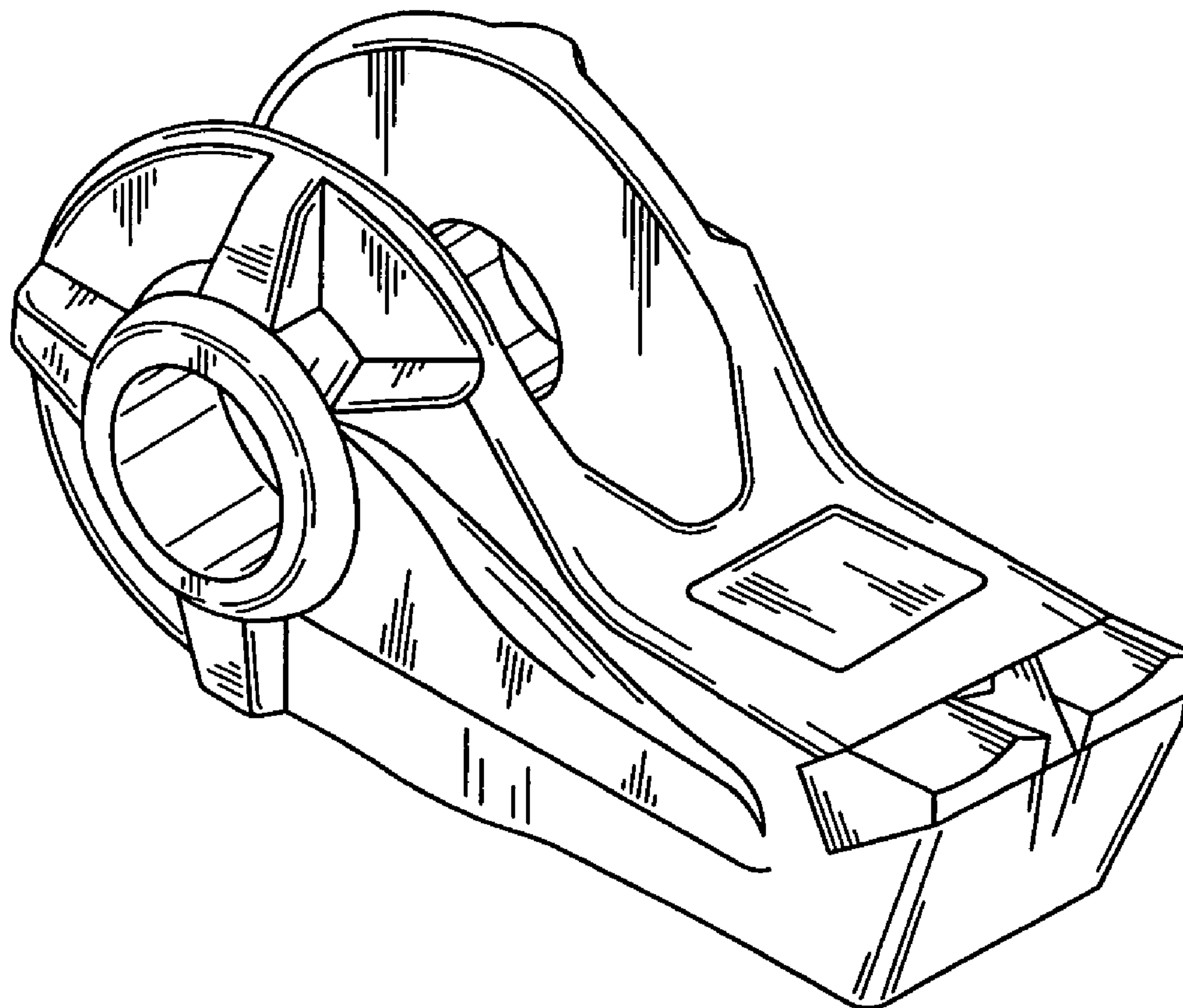
FIG. 4 is a top view of the cutting body of FIG. 1.

FIG. 5 is a left side view of the cutting body of FIG. 1.

FIG. 6 is a right side view of the cutting body of FIG. 1; and,

FIG. 7 is a bottom view of the cutting body of FIG. 1.

1 Claim, 3 Drawing Sheets



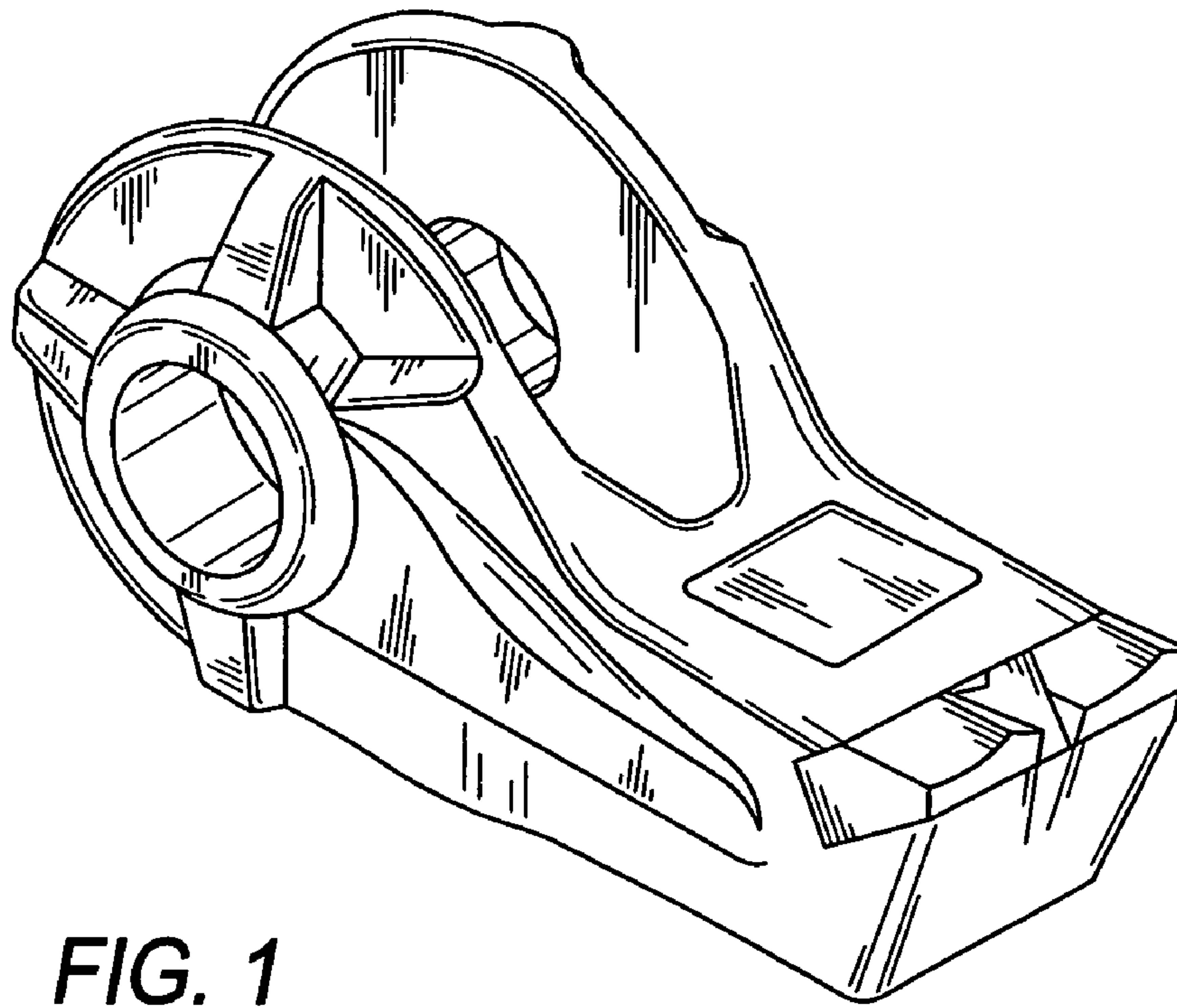


FIG. 1

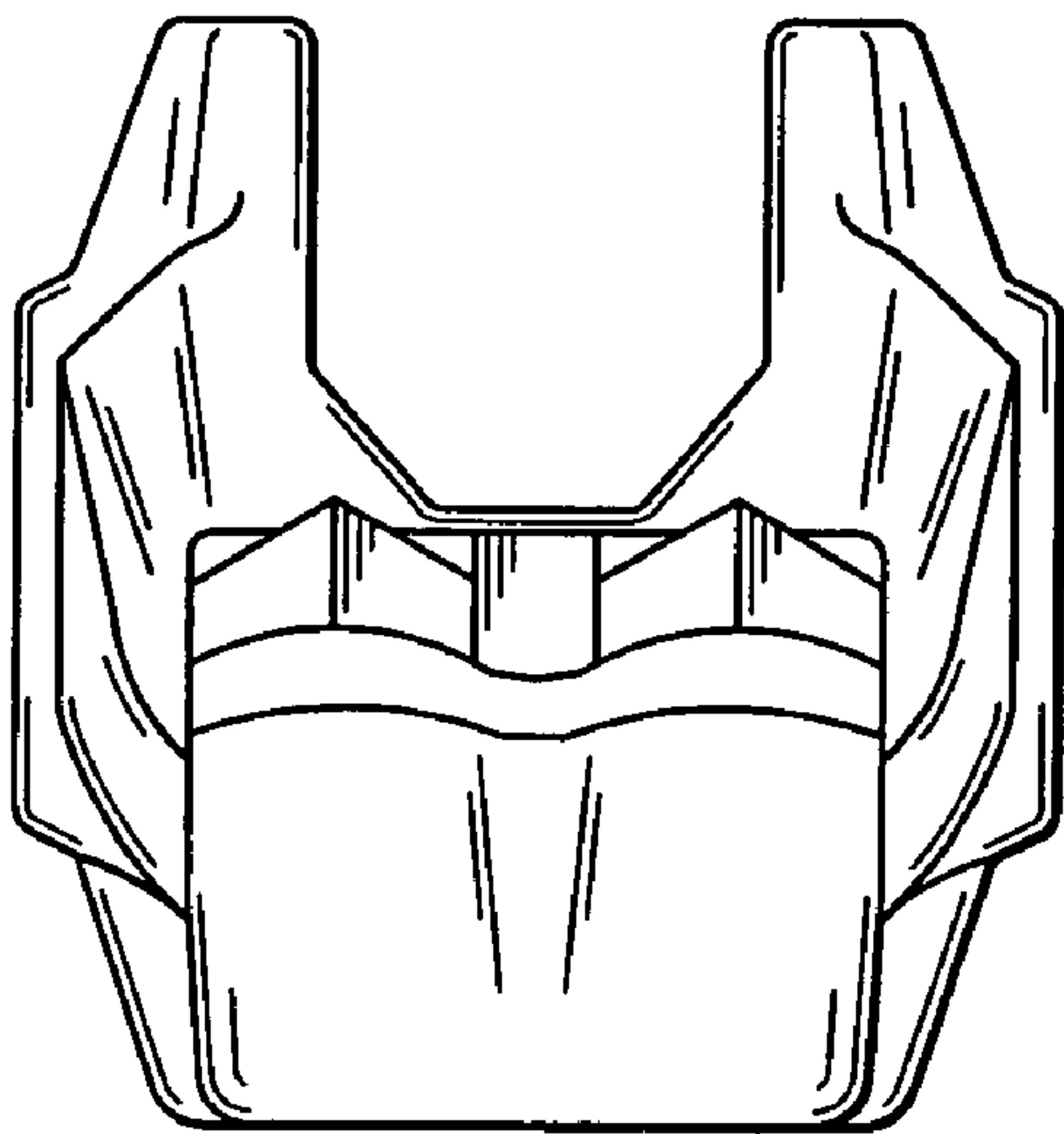


FIG. 2

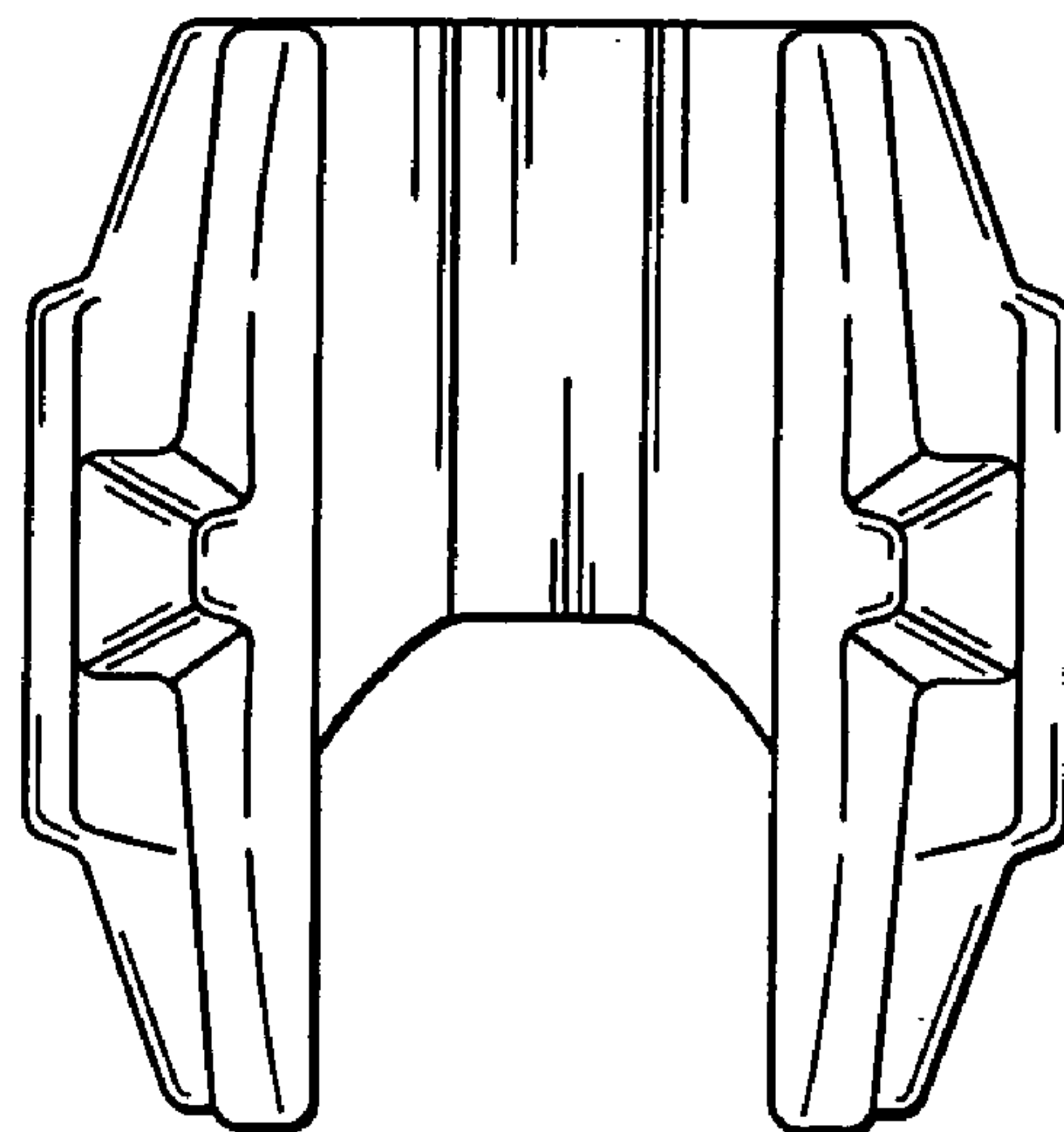


FIG. 3

FIG. 4

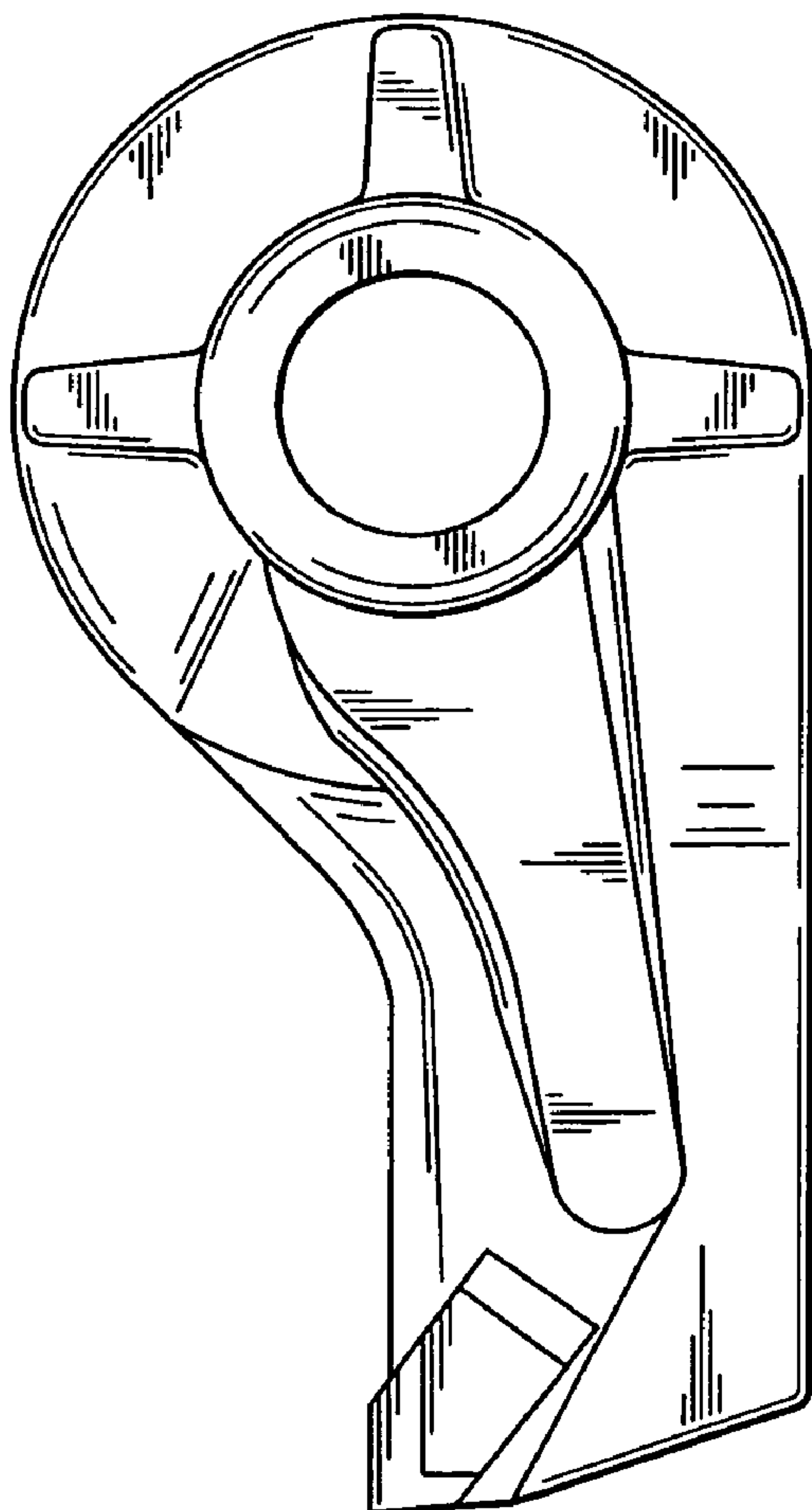
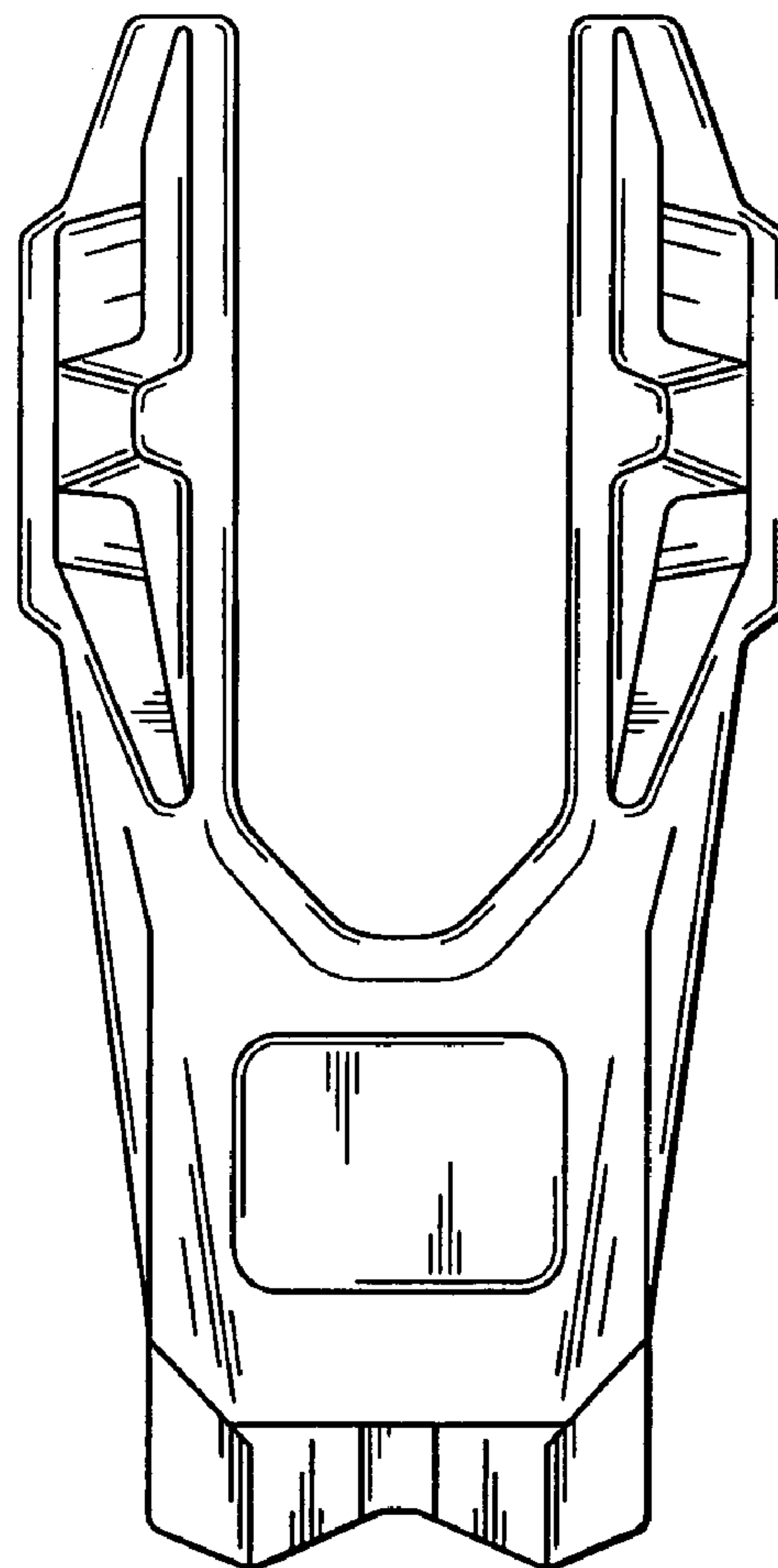


FIG. 5

FIG. 6

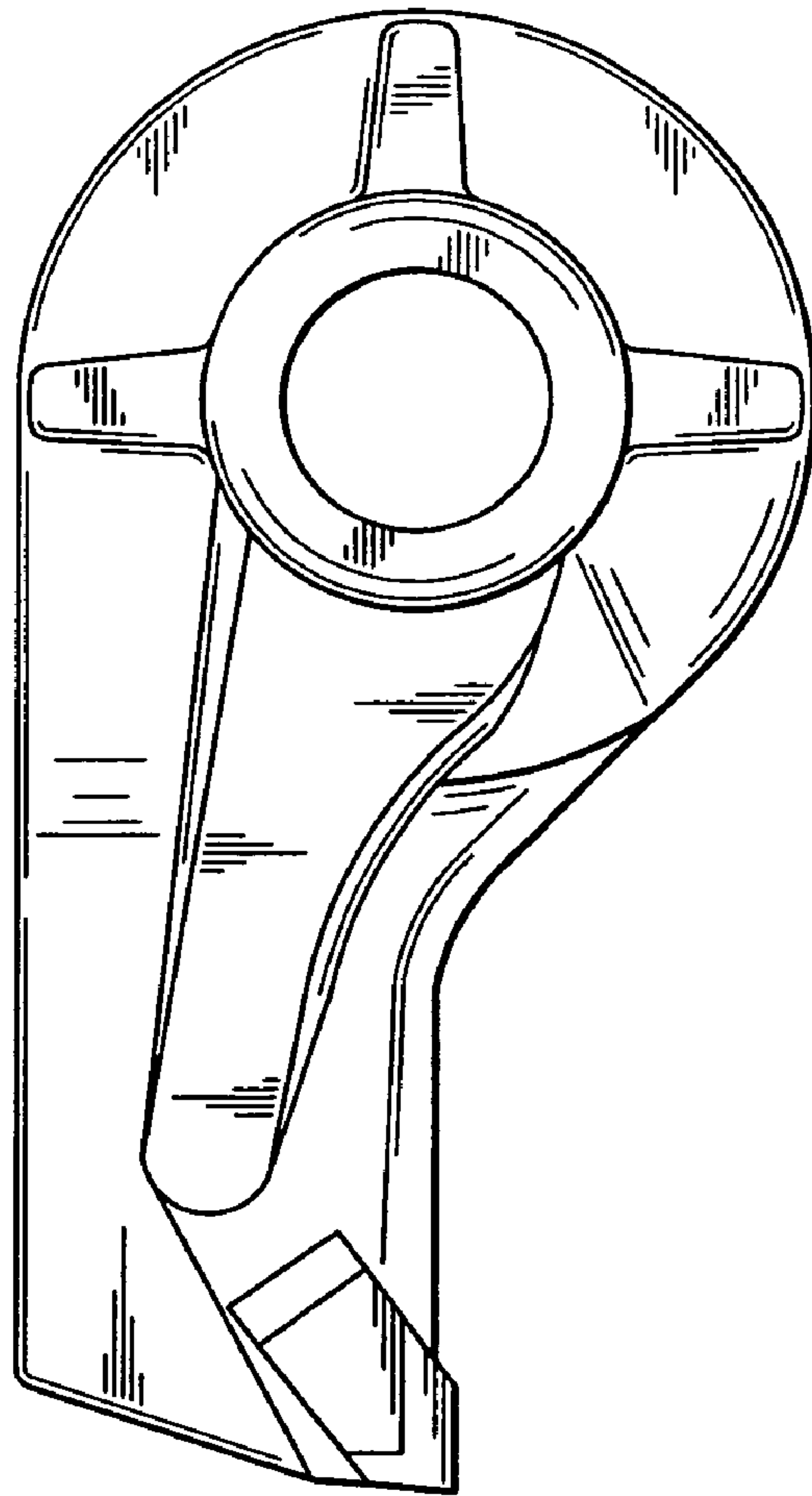


FIG. 7

