



US00D808442S

(12) **United States Design Patent**
Brueggen et al.

(10) **Patent No.:** **US D808,442 S**
(45) **Date of Patent:** **** Jan. 23, 2018**

(54) **AUTONOMOUS AGRICULTURAL VEHICLE ASSEMBLY**

(71) Applicant: **Deere & Company**, Moline, IL (US)

(72) Inventors: **Shane J. Brueggen**, Louisburg, KS (US); **Steve P. Robisky**, Cedar Falls, IA (US); **Troy K. Maddox**, Anamosa, IA (US)

(73) Assignee: **DEERE & COMPANY**, Moline, IL (US)

(**) Term: **15 Years**

(21) Appl. No.: **29/588,557**

(22) Filed: **Dec. 21, 2016**

(51) **LOC (11) Cl.** **12-09**

(52) **U.S. Cl.** **D15/24**

(58) **Field of Classification Search**
USPC D15/10, 21-26, 11, 12; 56/14.7, 13.3, 56/13.4, 16.1, 17.6, 15.8, 25.9, 202, 255, 56/294, 320.1, 320.2
CPC A01B 69/00; G05D 1/00; G05D 1/021
See application file for complete search history.

(56) **References Cited**

U.S. PATENT DOCUMENTS

D195,254 S *	5/1963	Keller et al.	D15/25
3,828,952 A *	8/1974	Klee	B60P 1/50
				180/68.1
D294,032 S *	2/1988	Whiffin	D12/15
D359,497 S *	6/1995	Rayner	D15/25
5,451,135 A *	9/1995	Schempf	B08B 9/0933
				165/11.2
D375,506 S *	11/1996	Bastian	D15/24
D428,425 S *	7/2000	Ratcliffe	D12/14
D431,574 S *	10/2000	Porter	D15/25
D438,218 S *	2/2001	McIlwraith	D15/25

6,397,967 B1 *	6/2002	McIlwraith	B60K 17/10
				180/291
D460,463 S *	7/2002	Kubo	D15/26
D463,454 S *	9/2002	Miller	D15/22
D476,340 S	6/2003	Niebuhr et al.		
D482,701 S *	11/2003	Bares	D15/24
D516,587 S *	3/2006	Bares	D15/23
D555,673 S *	11/2007	Hendron	D15/22
D561,785 S *	2/2008	Imashige	D15/24
D587,727 S *	3/2009	Vos	B62D 55/065
				D15/24
D614,204 S *	4/2010	Thompson	D15/24
D631,898 S *	2/2011	Major	D15/24
D634,757 S *	3/2011	Mack	D15/10
D657,394 S *	4/2012	Chapman	D15/10
D685,394 S *	7/2013	Nagata	D15/24
D707,261 S *	6/2014	Caboret	D15/24
D734,211 S	7/2015	Ahn et al.		
9,265,187 B2 *	2/2016	Cavender-Bares	A01C 7/00

(Continued)

Primary Examiner — Mark Goodwin

(57) **CLAIM**

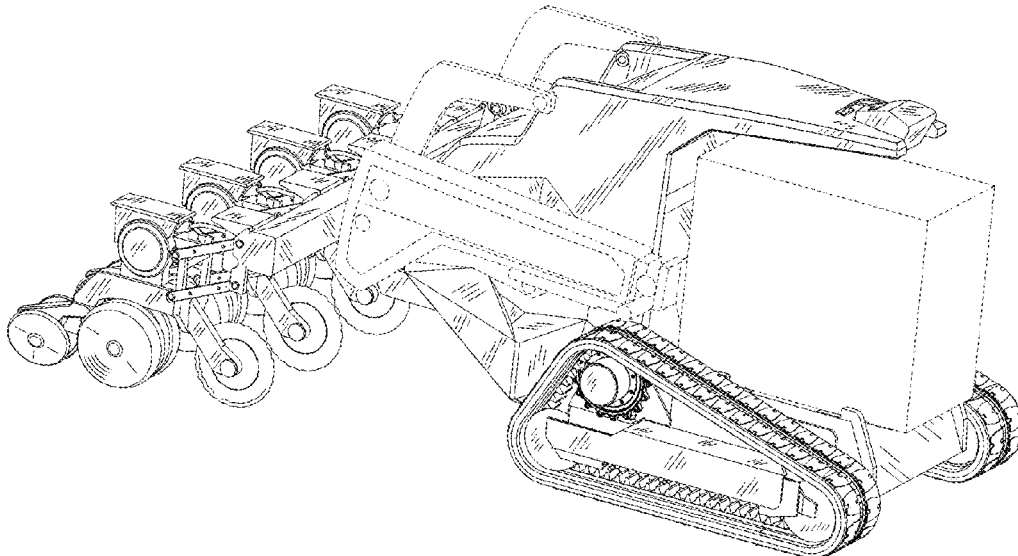
The ornamental design for an autonomous agricultural vehicle assembly, as shown and described.

DESCRIPTION

FIG. 1 is a left front perspective view of an autonomous agricultural vehicle assembly showing the new design; FIG. 2 is a right side elevation view thereof; FIG. 3 is a left side elevation view thereof; FIG. 4 is a front elevation view thereof; FIG. 5 is a rear elevation view thereof; FIG. 6 is a top plan view thereof; and, FIG. 7 is a bottom plan view thereof.

The ornamental design which is claimed is shown in solid lines in the drawings. The portions of the design shown in broken lines or dashed lines are included for the purpose of illustrating environment and form no part of the claimed design.

1 Claim, 7 Drawing Sheets



(56)

References Cited

U.S. PATENT DOCUMENTS

D760,809	S *	7/2016	Nicholson	D15/13
9,392,743	B2 *	7/2016	Camacho-Cook	A01C 15/00
D763,928	S *	8/2016	Okuyama	D15/25
D786,312	S *	5/2017	Okuyama	D12/14
2015/0045992	A1 *	2/2015	Ashby	E02F 9/265 701/2
2015/0105965	A1 *	4/2015	Blackwell	A01B 59/002 701/28
2015/0373905	A1 *	12/2015	Anderson	A01C 21/00 701/50

* cited by examiner

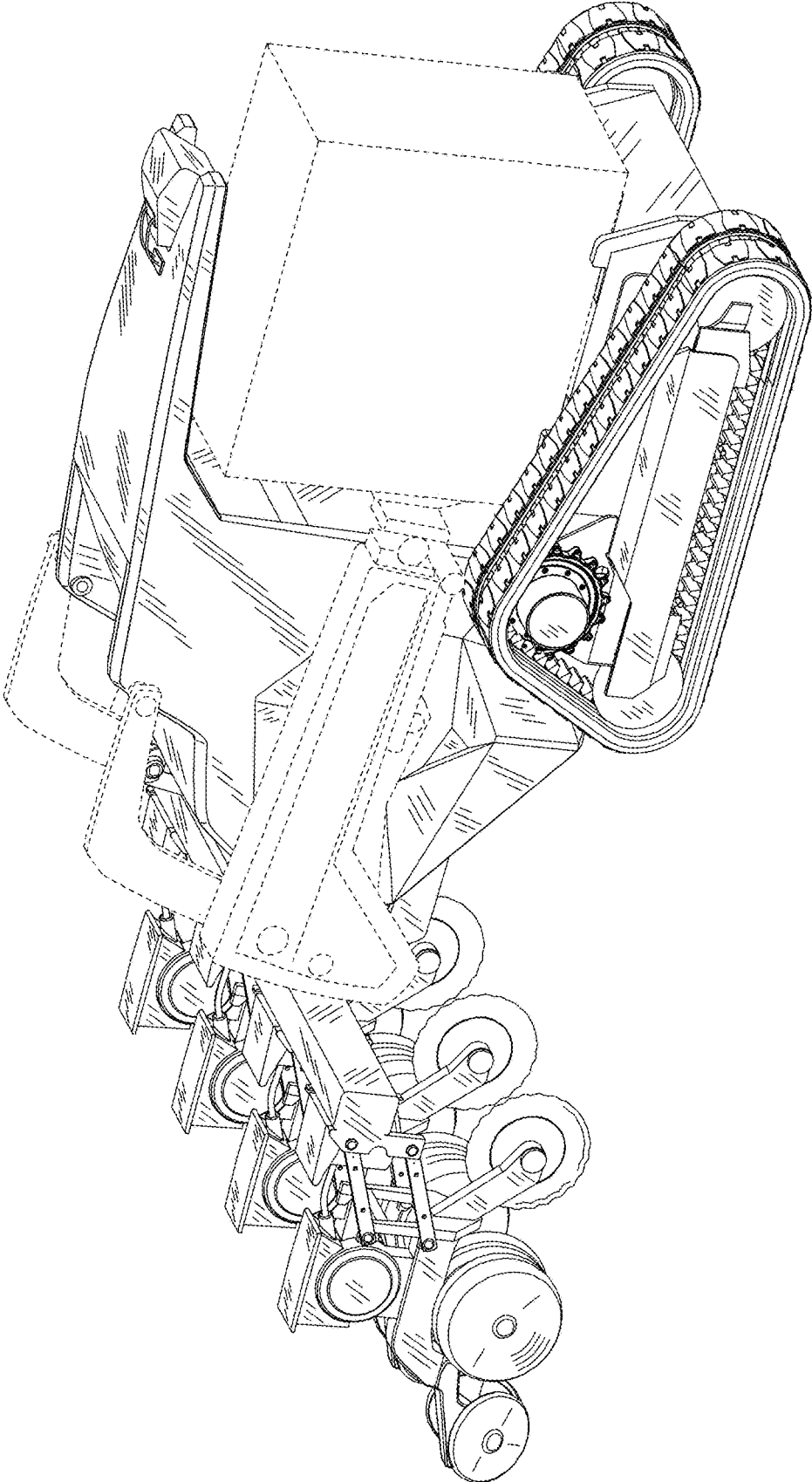


FIG. 1

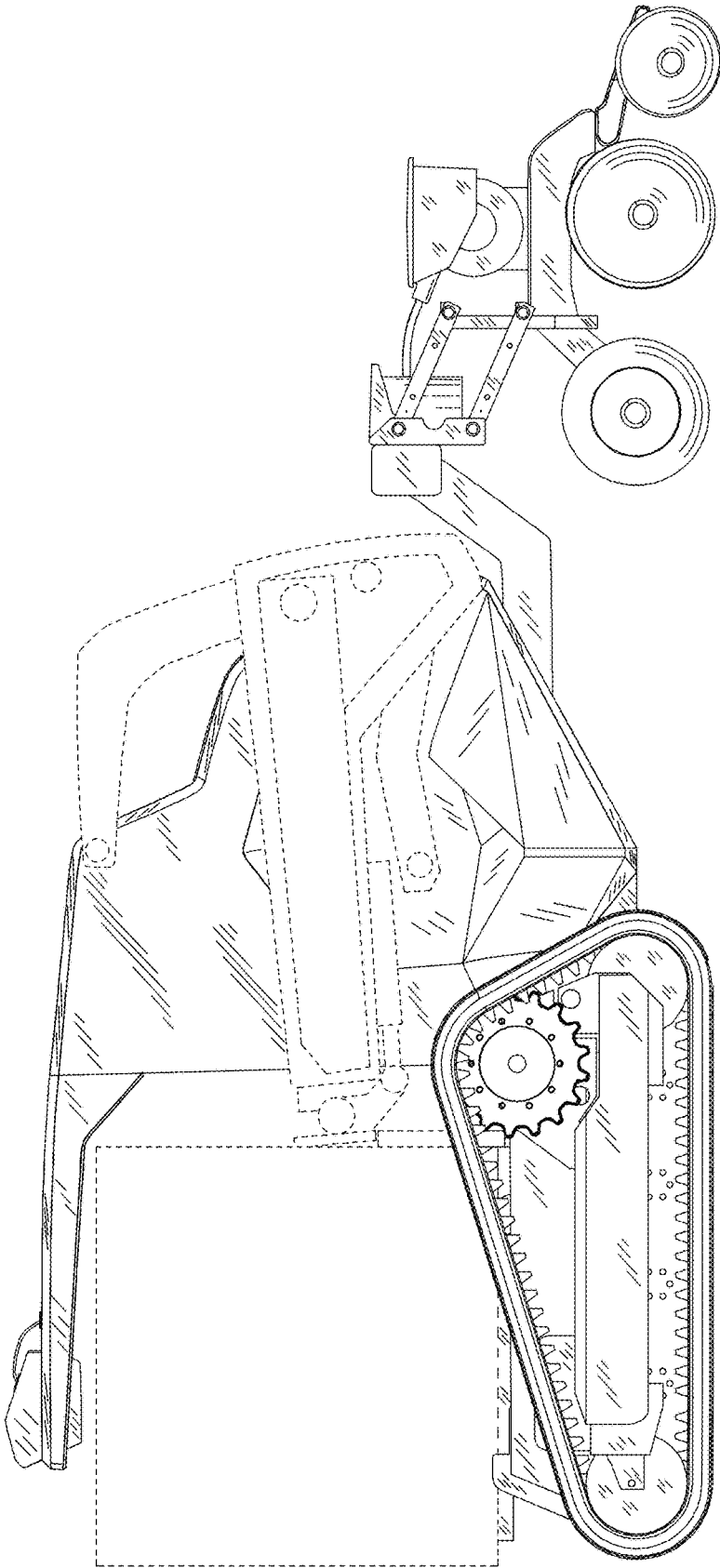


FIG. 2

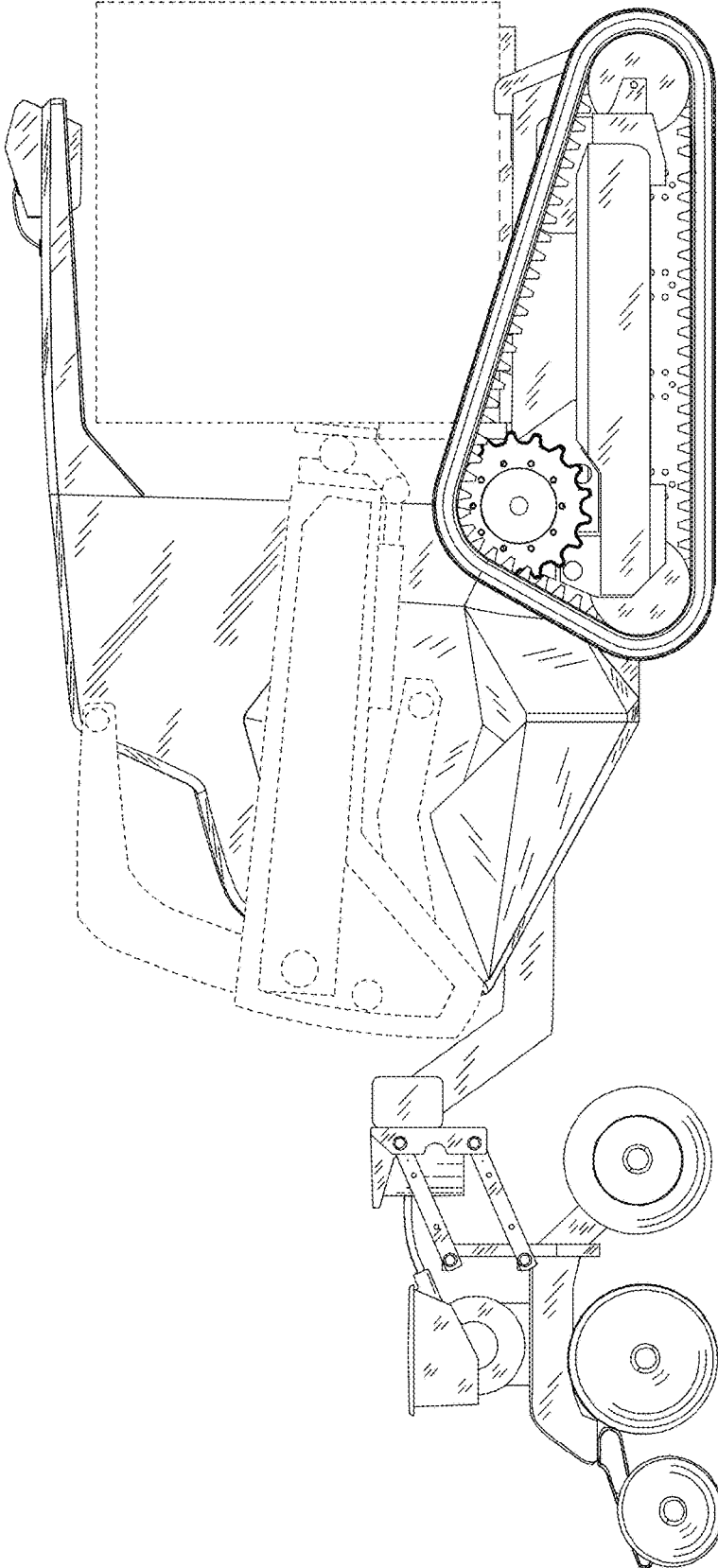


FIG. 3

FIG. 4

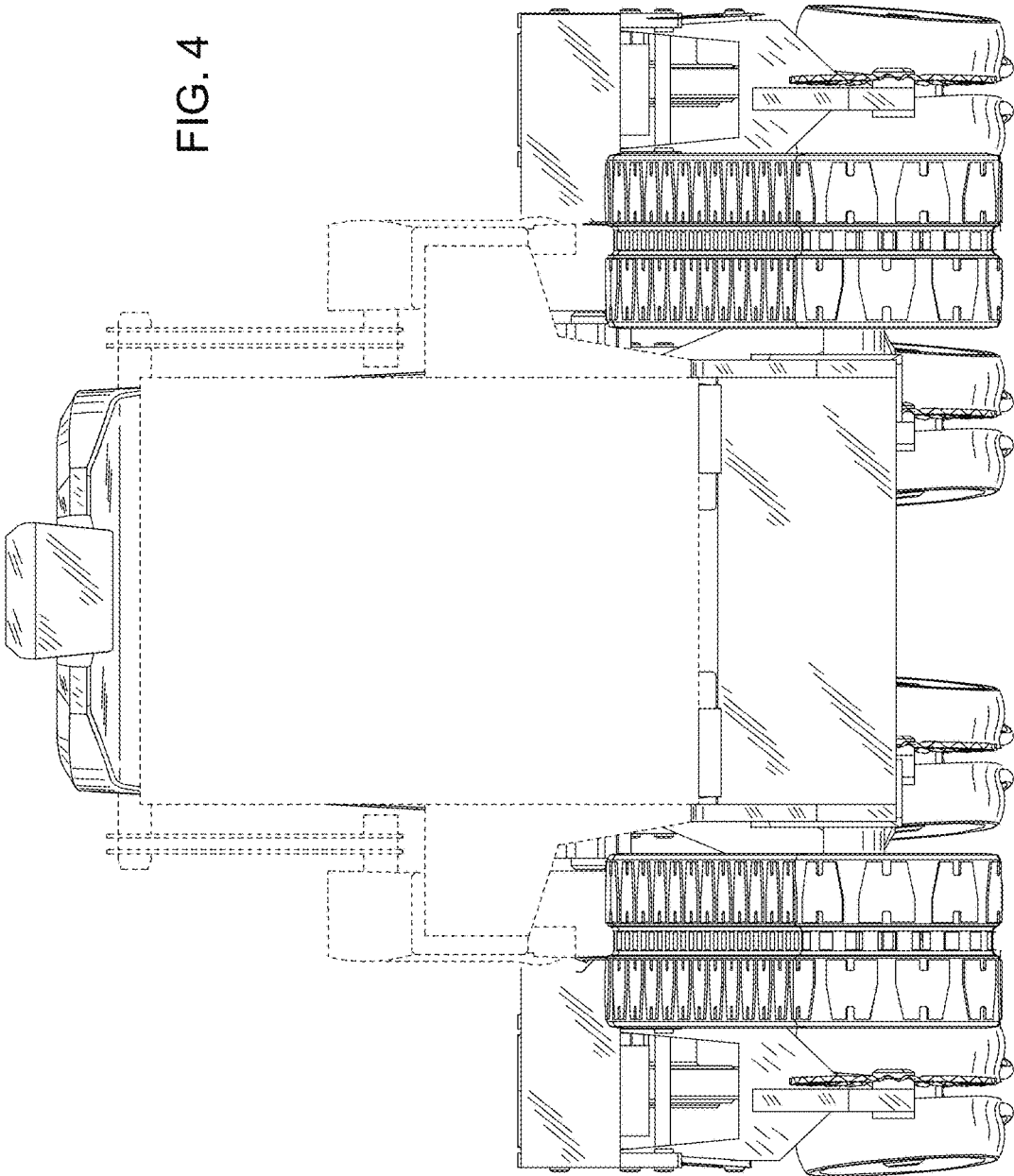
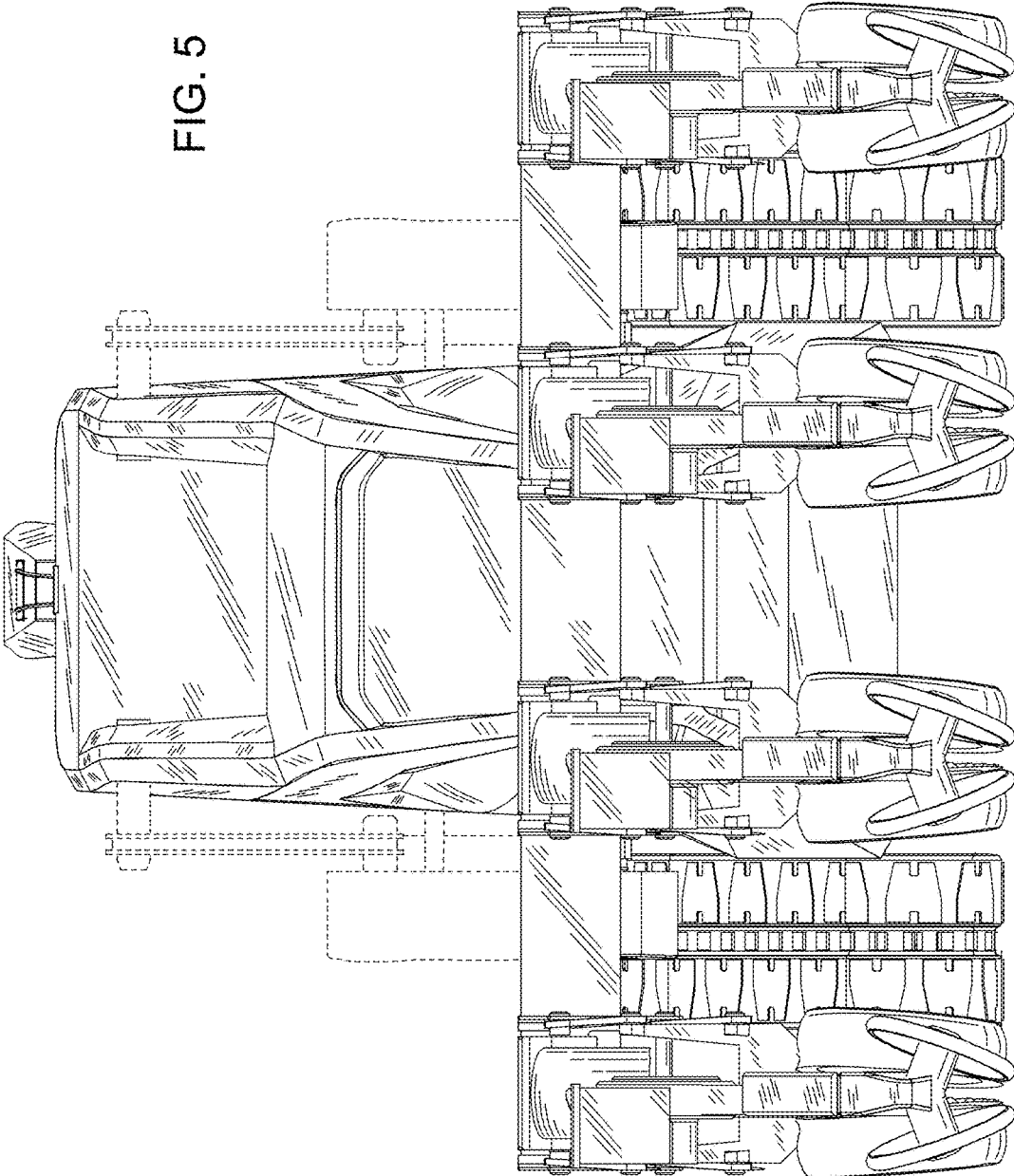


FIG. 5



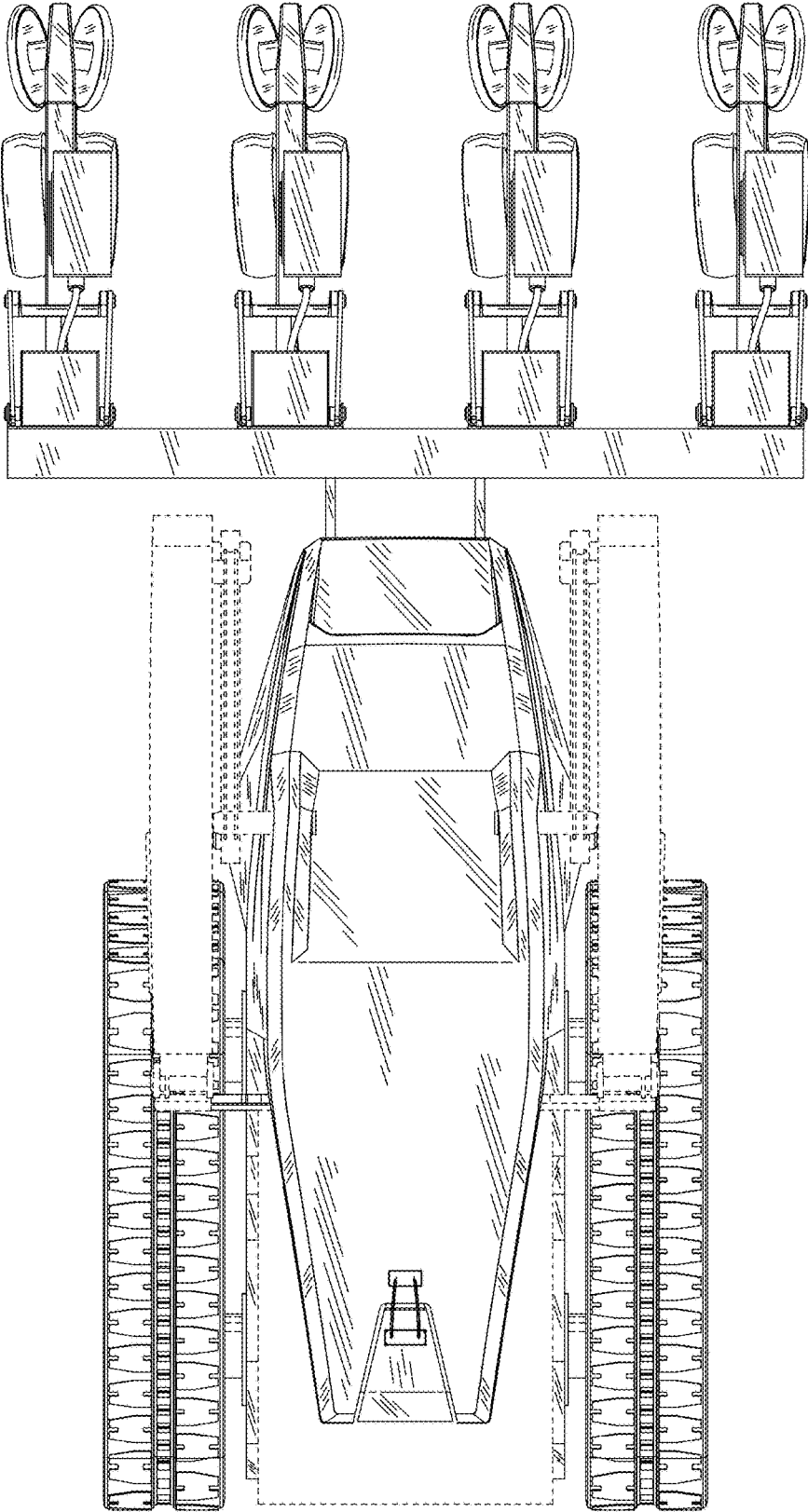


FIG. 6

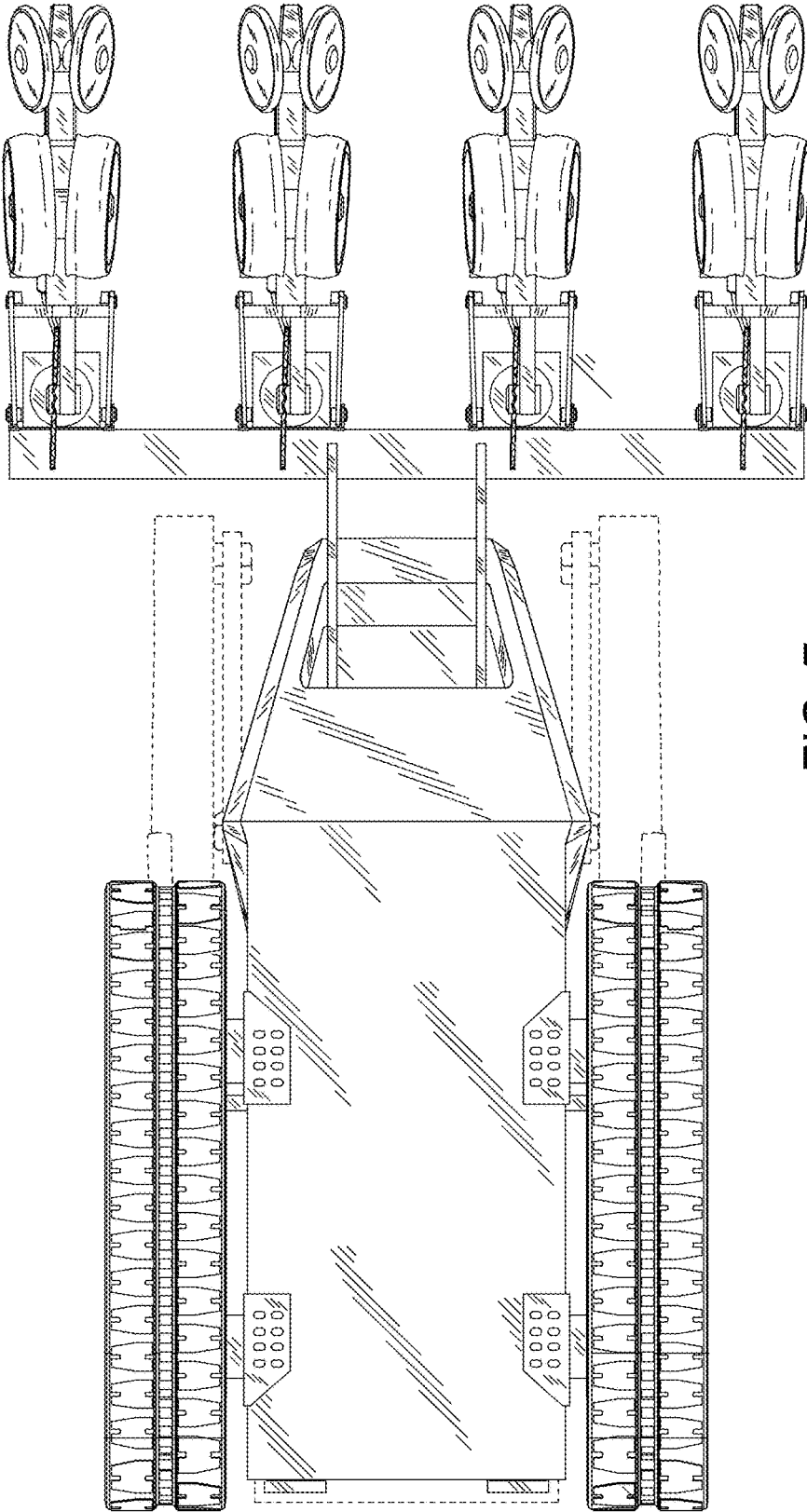


FIG. 7