

(19) World Intellectual Property Organization
International Bureau



(43) International Publication Date
15 March 2012 (15.03.2012)

(10) International Publication Number
WO 2012/033629 A3

(51) International Patent Classification:

A61B 19/02 (2006.01) A61B 1/012 (2006.01)
A61B 17/94 (2006.01) B25J 19/06 (2006.01)

(21) International Application Number:

PCT/US2011/048510

(22) International Filing Date:

19 August 2011 (19.08.2011)

(25) Filing Language:

English

(26) Publication Language:

English

(30) Priority Data:

12/880,058 10 September 2010 (10.09.2010) US

(63) Related by continuation (CON) or continuation-in-part (CIP) to earlier application:

US (CON)
Filed on

(71) Applicant (for all designated States except US): **CARE-FUSION 2200, INC.** [US/US]; 3750 Torrey View Court, San Diego, California 92130 (US).

(72) Inventors; and

(75) Inventors/Applicants (for US only): **DOYLE, Mark** [US/US]; 1227 Cuchara Drive, Del Mar, California 92014 (US). **CHEN, How-Lun** [US/US]; 10180 Wateridge Circle, Unit 146, San Diego, California 92121 (US).

(74) Agents: **GALLENSON, Mavis S.** et al.; 5670 Wilshire Boulevard, Suite 2100, Los Angeles, California 90036 (US).

(81) Designated States (unless otherwise indicated, for every kind of national protection available):

AE, AG, AL, AM, AO, AT, AU, AZ, BA, BB, BG, BH, BR, BW, BY, BZ, CA, CH, CL, CN, CO, CR, CU, CZ, DE, DK, DM, DO, DZ, EC, EE, EG, ES, FI, GB, GD, GE, GH, GM, GT, HN, HR, HU, ID, IL, IN, IS, JP, KE, KG, KM, KN, KP, KR, KZ, LA, LC, LK, LR, LS, LT, LU, LY, MA, MD, ME, MG, MK, MN, MW, MX, MY, MZ, NA, NG, NI, NO, NZ, OM, PE, PG, PH, PL, PT, QA, RO, RS, RU, SC, SD, SE, SG, SK, SL, SM, ST, SV, SY, TH, TJ, TM, TN, TR, TT, TZ, UA, UG, US, UZ, VC, VN, ZA, ZM, ZW.

(84) Designated States (unless otherwise indicated, for every kind of regional protection available):

ARIPO (BW, GH, GM, KE, LR, LS, MW, MZ, NA, SD, SL, SZ, TZ, UG, ZM, ZW), Eurasian (AM, AZ, BY, KG, KZ, MD, RU, TJ, TM), European (AL, AT, BE, BG, CH, CY, CZ, DE, DK, EE, ES, FI, FR, GB, GR, HR, HU, IE, IS, IT, LT, LU, LV, MC, MK, MT, NL, NO, PL, PT, RO, RS, SE, SI, SK, SM, TR), OAPI (BF, BJ, CF, CG, CI, CM, GA, GN, GQ, GW, ML, MR, NE, SN, TD, TG).

Published:

- with international search report (Art. 21(3))
- before the expiration of the time limit for amending the claims and to be republished in the event of receipt of amendments (Rule 48.2(h))

(88) Date of publication of the international search report:

10 May 2012

(54) Title: PROTECTIVE SHEATH

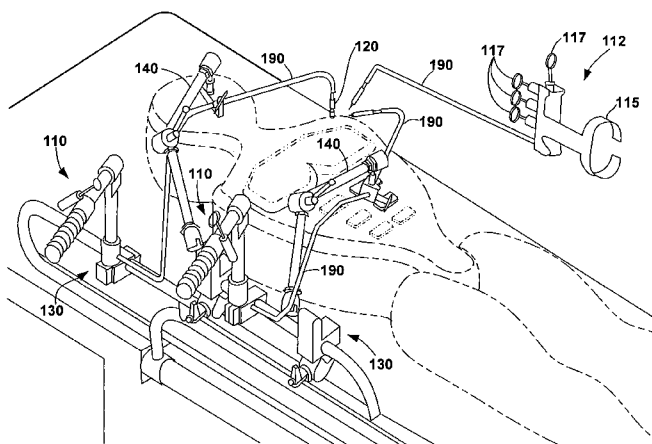


FIG. 1

(57) Abstract: A protective sheath including a first portion configured to receive a medical instrument. The protective sheath also includes a second portion configured to accommodate movement of a distal end of the medical instrument within the second portion. The second portion is moveably coupled to the first portion. The protective sheath is configured to control contamination of the medical instrument when the medical instrument and the protective sheath are placed within a patient.



WO 2012/033629 A3

INTERNATIONAL SEARCH REPORT

International application No.
PCT/US2011/048510**A. CLASSIFICATION OF SUBJECT MATTER***A61B 19/02(2006.01)i, A61B 17/94(2006.01)i, A61B 1/012(2006.01)i, B25J 19/06(2006.01)i*

According to International Patent Classification (IPC) or to both national classification and IPC

B. FIELDS SEARCHED

Minimum documentation searched (classification system followed by classification symbols)

A61B 19/02; A61B 1/00; A61M 29/00; A61F 11/00; A61B 1/12; A61M 5/00; A61B 1/015; A61B 17/00; A61B 17/36

Documentation searched other than minimum documentation to the extent that such documents are included in the fields searched

Korean utility models and applications for utility models
Japanese utility models and applications for utility models

Electronic data base consulted during the international search (name of data base and, where practicable, search terms used)

eKOMPASS(KIPO internal) & Keywords: laparoscopic, surgery, instrument, protect, sheath, insulate, and contamination

C. DOCUMENTS CONSIDERED TO BE RELEVANT

Category*	Citation of document, with indication, where appropriate, of the relevant passages	Relevant to claim No.
Y	US 2010-0063359 A1 (GREGORY G. OKONIEWSKI) 11 March 2010 See abstract; paragraphs 33-41; claims 1,6; figs. 1-7.	1-14
Y	WO 97-40759 A1 (APPLIED MEDICAL RESOURCES CORPORATION) 06 November 1997 See abstract; page 11, line 15 - page 14, line 4; claim 1; figs. 1-2.	1-14
A	US 2008-0188715 A1 (RYUHEI FUJIMOTO) 07 August 2008 See abstract; paragraphs 59-63; claim 1; fig. 1.	1-14
A	US 2005-0171470 A1 (THEODORE R. KUCKLICK et al.) 04 August 2005 See abstract; paragraphs 31-32; claim 1; figs. 3-4.	1-14
A	US 2004-0172041 A1 (RICHARD D. GRESHAM et al.) 02 September 2004 See abstract; paragraph 61; figs. 1,6,7.	1-14
A	US 2005-0090811 A1 (MARK C. DOYLE et al.) 28 April 2005 See abstract; paragraphs 29-35; fig. 1.	1-14

 Further documents are listed in the continuation of Box C. See patent family annex.

* Special categories of cited documents:

"A" document defining the general state of the art which is not considered to be of particular relevance

"E" earlier application or patent but published on or after the international filing date

"L" document which may throw doubts on priority claim(s) or which is cited to establish the publication date of citation or other special reason (as specified)

"O" document referring to an oral disclosure, use, exhibition or other means

"P" document published prior to the international filing date but later than the priority date claimed

"T" later document published after the international filing date or priority date and not in conflict with the application but cited to understand the principle or theory underlying the invention

"X" document of particular relevance; the claimed invention cannot be considered novel or cannot be considered to involve an inventive step when the document is taken alone

"Y" document of particular relevance; the claimed invention cannot be considered to involve an inventive step when the document is combined with one or more other such documents, such combination being obvious to a person skilled in the art

"&" document member of the same patent family

Date of the actual completion of the international search

22 MARCH 2012 (22.03.2012)

Date of mailing of the international search report

23 MARCH 2012 (23.03.2012)

Name and mailing address of the ISA/KR

Korean Intellectual Property Office
Government Complex-Daejeon, 189 Cheongsu-ro,
Seo-gu, Daejeon 302-701, Republic of Korea

Facsimile No. 82-42-472-7140

Authorized officer

BYUN, SUNG CHEAL

Telephone No. 82-42-481-8262



INTERNATIONAL SEARCH REPORT

Information on patent family members

International application No.

PCT/US2011/048510

Patent document cited in search report	Publication date	Patent family member(s)	Publication date
US 2010-0063359 A1	11.03.2010	AU 2008-239408 A1 CA 2681883 A1 EP 2155035 A1 JP 2010-523271 A WO 2008-127886 A1	23.10.2008 23.10.2008 24.02.2010 15.07.2010 23.10.2008
WO 97-40759 A1	06.11.1997	None	
US 2008-0188715 A1	07.08.2008	JP 2008-093173 A US 8079952 B2	24.04.2008 20.12.2011
US 2005-0171470 A1	04.08.2005	EP 1748722 A2 EP 1868489 A2 JP 2007-522837 A JP 2008-535556 A US 2005-0192532 A1 US 2005-0203342 A1 US 2005-0234298 A1 US 2009-0182201 A1 US 2009-043165 A1 US 2009-062607 A1 US 2009-082628 A1 US 7413542 B2 US 7435214 B2 US 7445596 B2 US 7500947 B2 US 7998061 B2 US 8118731 B2 WO 2005-072402 A2 WO 2005-072402 A3 WO 2006-105283 A2 WO 2006-105283 A3	07.02.2007 26.12.2007 16.08.2007 04.09.2008 01.09.2005 15.09.2005 20.10.2005 16.07.2009 12.02.2009 05.03.2009 26.03.2009 19.08.2008 14.10.2008 04.11.2008 10.03.2009 16.08.2011 21.02.2012 11.08.2005 11.08.2005 05.10.2006 05.10.2006
US 2004-0172041 A1	02.09.2004	AU 2003-295878 A1 AU 2003-295878 B2 CA 2505638 A1 CA 2505638 C EP 1562493 A2 EP 1562493 B1 JP 04456488 B2 JP 2006-507097 A JP 2010-104802 A US 2011-0144618 A1 US 7896897 B2 WO 2004-047654 A2 WO 2004-047654 A3	18.06.2004 10.07.2008 10.06.2004 25.10.2011 17.08.2005 24.02.2010 12.02.2010 02.03.2006 13.05.2010 16.06.2011 01.03.2011 10.06.2004 10.06.2004
US 2005-0090811 A1	28.04.2005	AT 396650 T AU 2001-280635 B2	15.06.2008 21.09.2006

INTERNATIONAL SEARCH REPORT

Information on patent family members

International application No.

PCT/US2011/048510

Patent document cited in search report	Publication date	Patent family member(s)	Publication date
		AU 2001-80635 A1	05.02.2002
		CA 2415250 A1	31.01.2002
		CA 2415250 C	06.07.2010
		DE 60134236 D1	10.07.2008
		DK 1309277 T3	06.10.2008
		EP 1309277 A2	14.05.2003
		EP 1309277 B1	28.05.2008
		EP 2005914 A2	24.12.2008
		EP 2005914 A3	31.12.2008
		ES 2310186 T3	01.01.2009
		JP 2004-504095 A	12.02.2004
		KR 10-0834843 B1	04.06.2008
		US 2002-0111604 A1	15.08.2002
		US 2003-0153902 A1	14.08.2003
		US 2006-0195071 A1	31.08.2006
		US 2009-0105727 A1	23.04.2009
		US 2010-0241137 A1	23.09.2010
		US 6607475 B2	19.08.2003
		US 7470268 B2	30.12.2008
		US 8105319 B2	31.01.2012
		WO 02-07608 A2	31.01.2002
		WO 02-07608 A3	20.06.2002
		WO 2011-153082 A2	08.12.2011