



(12) **United States Design Patent**
Cheng

(10) **Patent No.:** **US D832,270 S**
(45) **Date of Patent:** **** Oct. 30, 2018**

(54) **CASE WITH POCKET FOR ELECTRONIC DEVICE**

D712,412 S 9/2014 Bleau et al.
D715,052 S 10/2014 Fair
D719,169 S * 12/2014 McBroom D14/440

(Continued)

(71) Applicant: **Fintie LLC**, Hilliard, OH (US)

Primary Examiner — Cynthia R Underwood

(72) Inventor: **Nai Chu Cheng**, Hilliard, OH (US)

(74) *Attorney, Agent, or Firm* — Standley Law Group LLP

(**) Term: **15 Years**

(57) **CLAIM**

(21) Appl. No.: **29/621,593**

The ornamental design for a case with pocket for electronic device, as shown and described.

(22) Filed: **Oct. 10, 2017**

DESCRIPTION

(51) **LOC (11) Cl.** **14-02**

(52) **U.S. Cl.**

USPC **D14/440**

(58) **Field of Classification Search**

USPC D14/440; 206/45.23, 320, 45.2;
361/679.55; 294/25; 224/218
CPC ... G06F 1/1628; G06F 1/1626; A47B 23/044;
H04B 1/3888; H05K 5/0217
See application file for complete search history.

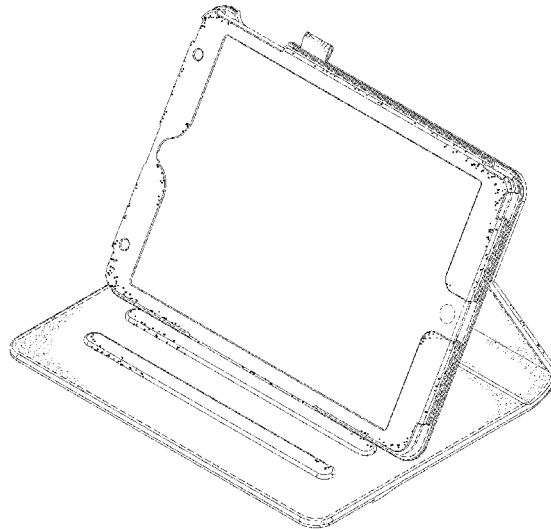
FIG. 1 is a front perspective view of a case with pocket for electronic device shown in the open position in a first configuration;
FIG. 2 is a front elevation view of the FIG. 1 device in the first configuration;
FIG. 3 is a rear elevation view of the FIG. 1 device in the first configuration;
FIG. 4 is a right-side elevation view of the FIG. 1 device in the first configuration;
FIG. 5 is a left-side elevation view of the FIG. 1 device in the first configuration;
FIG. 6 is a top plan view of the FIG. 1 device in the first configuration;
FIG. 7 is a bottom plan view of the FIG. 1 device in the first configuration;
FIG. 8 is a rear perspective view of the FIG. 1 device in the first configuration;
FIG. 9 is a front perspective view of the FIG. 1 device shown in the open position in a second configuration;
FIG. 10 is a right-side elevation view of the FIG. 1 device in the second configuration;
FIG. 11 is a front perspective view of the FIG. 1 device shown in the open position in a third configuration; and,
FIG. 12 is a right-side elevation view of the FIG. 1 device in the third configuration.
The broken lines represent environment that forms no part of the claim.

(56) **References Cited**

U.S. PATENT DOCUMENTS

| | | | |
|------------|-----------|-----------------|---------|
| D611,253 S | 3/2010 | Lown et al. | |
| D645,251 S | 9/2011 | Lee | |
| D667,831 S | * 9/2012 | Stravitz | D14/447 |
| D668,661 S | 10/2012 | Norfolk | |
| D672,353 S | 12/2012 | Liu | |
| D676,448 S | 2/2013 | Gorman et al. | |
| D681,951 S | 5/2013 | Phillips et al. | |
| D689,056 S | 9/2013 | Li | |
| D690,704 S | 10/2013 | Padilla et al. | |
| D691,144 S | 10/2013 | Peters et al. | |
| D694,246 S | 11/2013 | Park et al. | |
| D696,256 S | * 12/2013 | Piedra | D14/440 |
| D696,669 S | * 12/2013 | Akana | D14/440 |
| D696,864 S | 1/2014 | Phillips et al. | |
| D700,611 S | * 3/2014 | Boldetti | D14/440 |
| D703,672 S | 4/2014 | Kim et al. | |
| D709,509 S | 7/2014 | Kim | |

1 Claim, 12 Drawing Sheets



(56)

References Cited

U.S. PATENT DOCUMENTS

| | | | | | | | | | |
|--------------|------|---------|--------------|-------------|--------------|------|---------|-------------|--------------|
| 8,905,231 | B2 * | 12/2014 | Couch, III | A45C 11/00 | 2008/0029412 | A1 * | 2/2008 | Ho | A47B 21/0314 |
| | | | | 206/320 | | | | | 206/320 |
| 8,960,421 | B1 * | 2/2015 | Diebel | G06F 1/1679 | 2008/0167095 | A1 * | 7/2008 | Kim | H04M 1/0216 |
| | | | | 206/320 | | | | | 455/575.3 |
| D723,568 | S * | 3/2015 | Kim | D14/440 | 2009/0159763 | A1 * | 6/2009 | Kim | F16M 13/00 |
| D724,090 | S * | 3/2015 | Kim | D14/440 | | | | | 248/174 |
| D727,916 | S * | 4/2015 | Melmon | D14/440 | 2009/0178938 | A1 * | 7/2009 | Palmer | A45C 5/03 |
| D727,917 | S | 4/2015 | Yeo | | | | | | 206/45.23 |
| D727,919 | S * | 4/2015 | Melmon | D14/440 | 2009/0194209 | A1 * | 8/2009 | De Filippis | A45C 11/00 |
| D729,252 | S | 5/2015 | Smith et al. | | | | | | 150/107 |
| D729,253 | S * | 5/2015 | Nyholm | D14/440 | 2009/0201254 | A1 * | 8/2009 | Rais | G06F 1/1613 |
| D733,152 | S * | 6/2015 | Sirichai | D14/440 | | | | | 345/168 |
| D734,340 | S * | 7/2015 | Kim | D14/440 | 2010/0230301 | A1 | 9/2010 | Fellig | |
| 9,095,194 | B2 * | 8/2015 | Hassett | A45C 11/00 | 2010/0294909 | A1 * | 11/2010 | Hauser | A47B 23/043 |
| D743,170 | S | 11/2015 | Akana et al. | | | | | | 248/456 |
| D744,489 | S * | 12/2015 | Sirichai | D14/440 | 2010/0300909 | A1 * | 12/2010 | Hung | H04M 1/04 |
| D744,492 | S * | 12/2015 | Lin | G06F 1/1632 | | | | | 206/320 |
| | | | | D14/440 | 2011/0227463 | A1 * | 9/2011 | Hou | A45C 9/00 |
| D752,052 | S | 3/2016 | Park | | | | | | 312/223.1 |
| D753,648 | S * | 4/2016 | Shyu | D14/315 | 2011/0266194 | A1 * | 11/2011 | Bau | A45C 11/00 |
| 9,307,062 | B2 * | 4/2016 | Kim | H04M 1/04 | | | | | 206/736 |
| D764,472 | S * | 8/2016 | Corcoran | D14/440 | 2011/0290687 | A1 * | 12/2011 | Han | A45C 3/02 |
| D772,880 | S * | 11/2016 | Corcoran | D14/440 | | | | | 206/320 |
| 9,489,054 | B1 * | 11/2016 | Sumsion | G06F 3/0208 | 2011/0297566 | A1 * | 12/2011 | Gallagher | F16M 11/105 |
| D773,470 | S * | 12/2016 | Akana | D14/440 | | | | | 206/320 |
| D779,485 | S * | 2/2017 | Akana | D14/345 | 2012/0140396 | A1 * | 6/2012 | Zeliff | G06F 1/1628 |
| 9,578,941 | B2 * | 2/2017 | MacLachlan | F16M 11/38 | | | | | 361/679.09 |
| D784,350 | S | 4/2017 | Li | | 2012/0194448 | A1 | 8/2012 | Rothkopf | |
| D789,342 | S * | 6/2017 | Sirichai | D14/250 | 2013/0140194 | A1 * | 6/2013 | Han | G06F 1/1656 |
| D792,887 | S * | 7/2017 | Zhang | D14/440 | | | | | 206/45.23 |
| 9,717,314 | B2 * | 8/2017 | Idehara | A45C 11/00 | 2013/0233762 | A1 * | 9/2013 | Balaji | B65D 25/00 |
| D807,363 | S * | 1/2018 | Hallier | D14/440 | | | | | 206/736 |
| D807,365 | S * | 1/2018 | Liu | D14/440 | 2013/0264459 | A1 * | 10/2013 | McCosh | G06F 1/1626 |
| D807,892 | S * | 1/2018 | Wang | D14/440 | | | | | 248/688 |
| D808,394 | S * | 1/2018 | Lakraa | D14/440 | 2014/0291175 | A1 * | 10/2014 | Chung | G06F 1/1656 |
| D808,395 | S * | 1/2018 | Fenton | D14/440 | | | | | 206/45.23 |
| D811,390 | S * | 2/2018 | Kim | D14/345 | 2015/0296060 | A1 * | 10/2015 | Gu | H04M 1/0235 |
| D811,411 | S * | 2/2018 | Moore | D14/440 | | | | | 455/575.4 |
| D819,038 | S * | 5/2018 | Diebel | D14/440 | 2015/0296068 | A1 * | 10/2015 | Chin | G06F 1/1628 |
| D820,839 | S * | 6/2018 | Akana | D14/345 | | | | | 455/575.8 |
| D822,675 | S * | 7/2018 | Zhu | D14/455 | 2016/0011628 | A1 * | 1/2016 | Sato | G06F 1/1656 |
| 2007/0057140 | A1 * | 3/2007 | Liou | F16M 11/10 | | | | | 361/679.3 |
| | | | | 248/456 | 2016/0187937 | A1 * | 6/2016 | Ahee | G06F 1/1681 |
| | | | | | | | | | 361/679.09 |

* cited by examiner

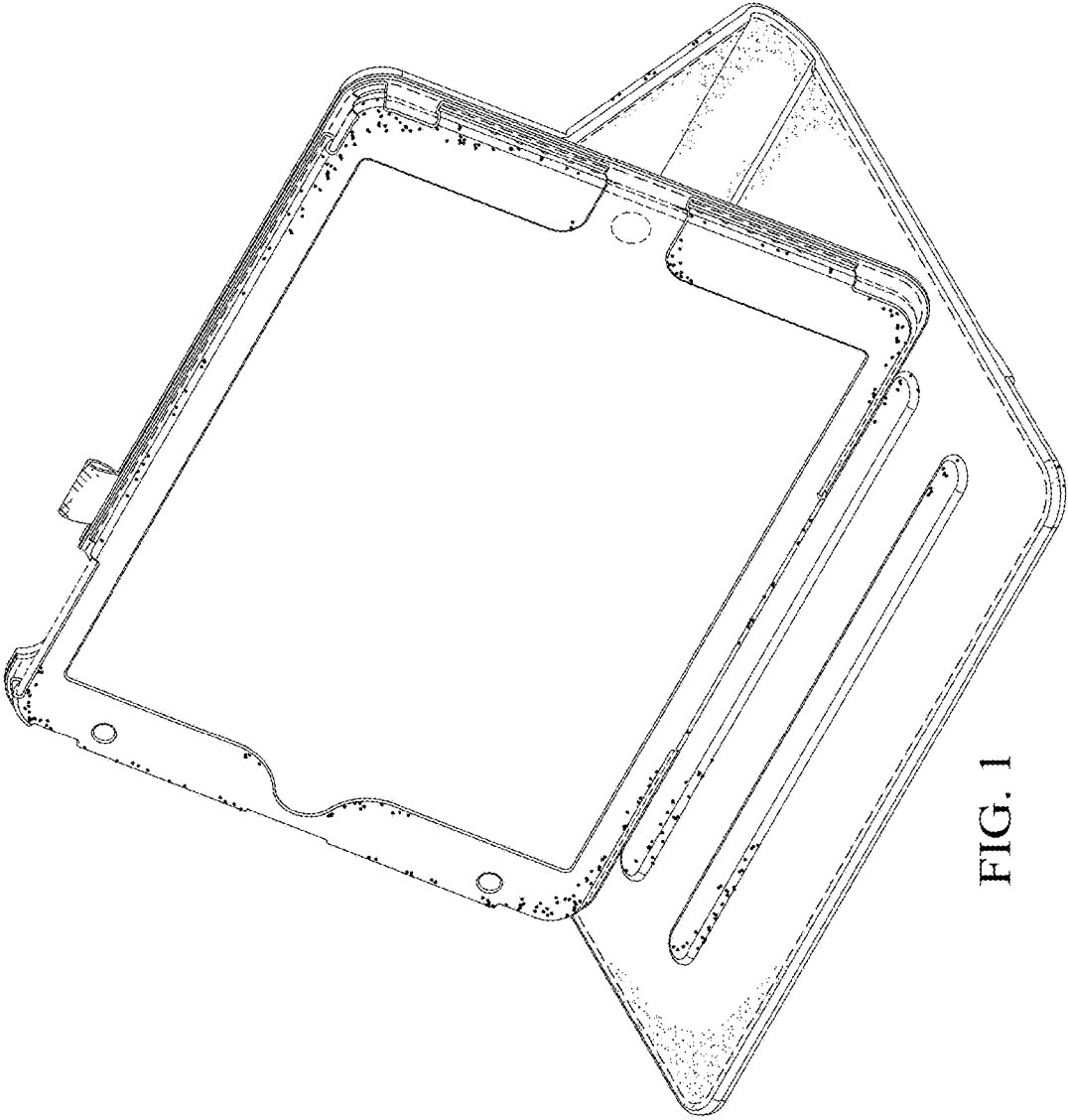


FIG. 1

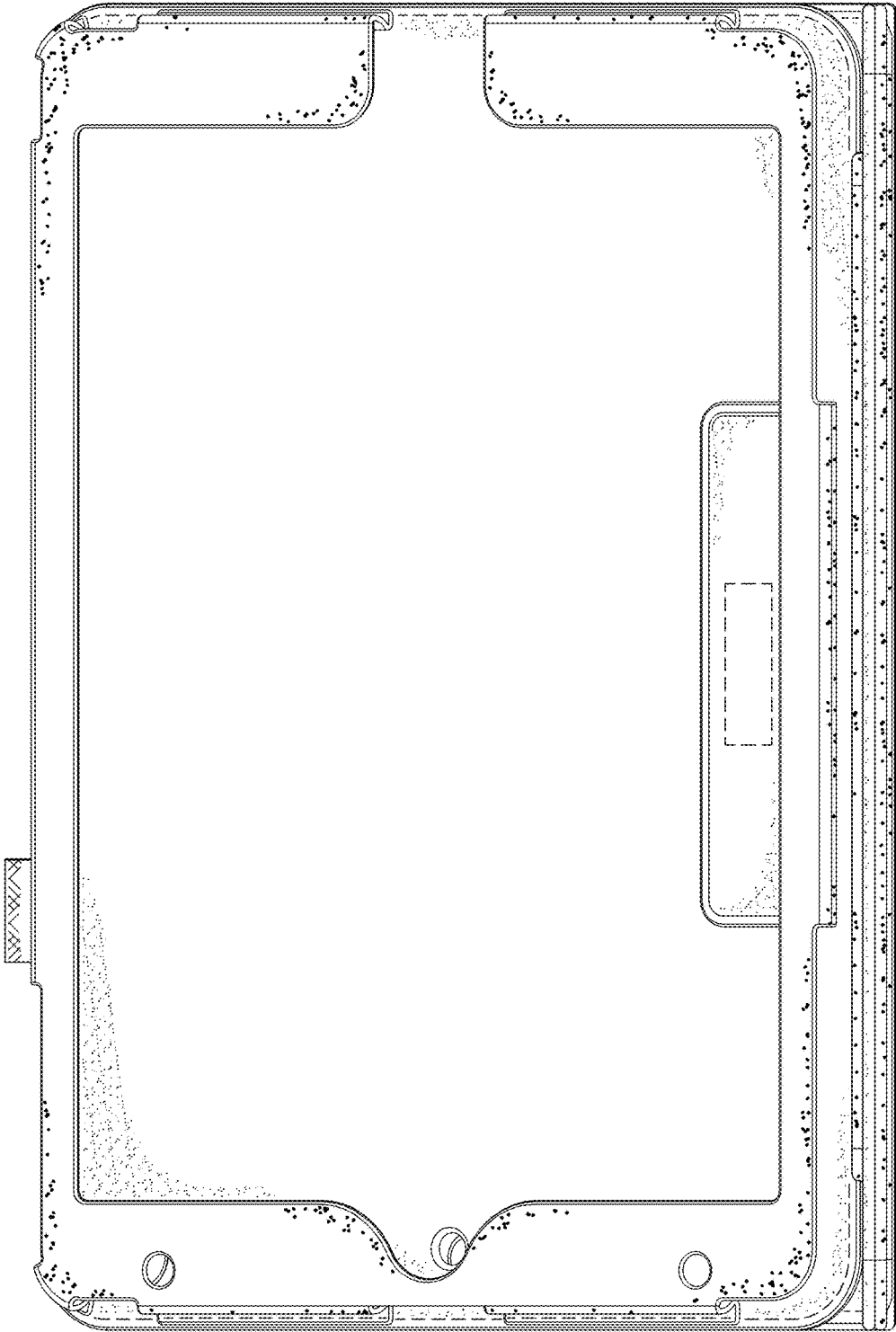


FIG. 2

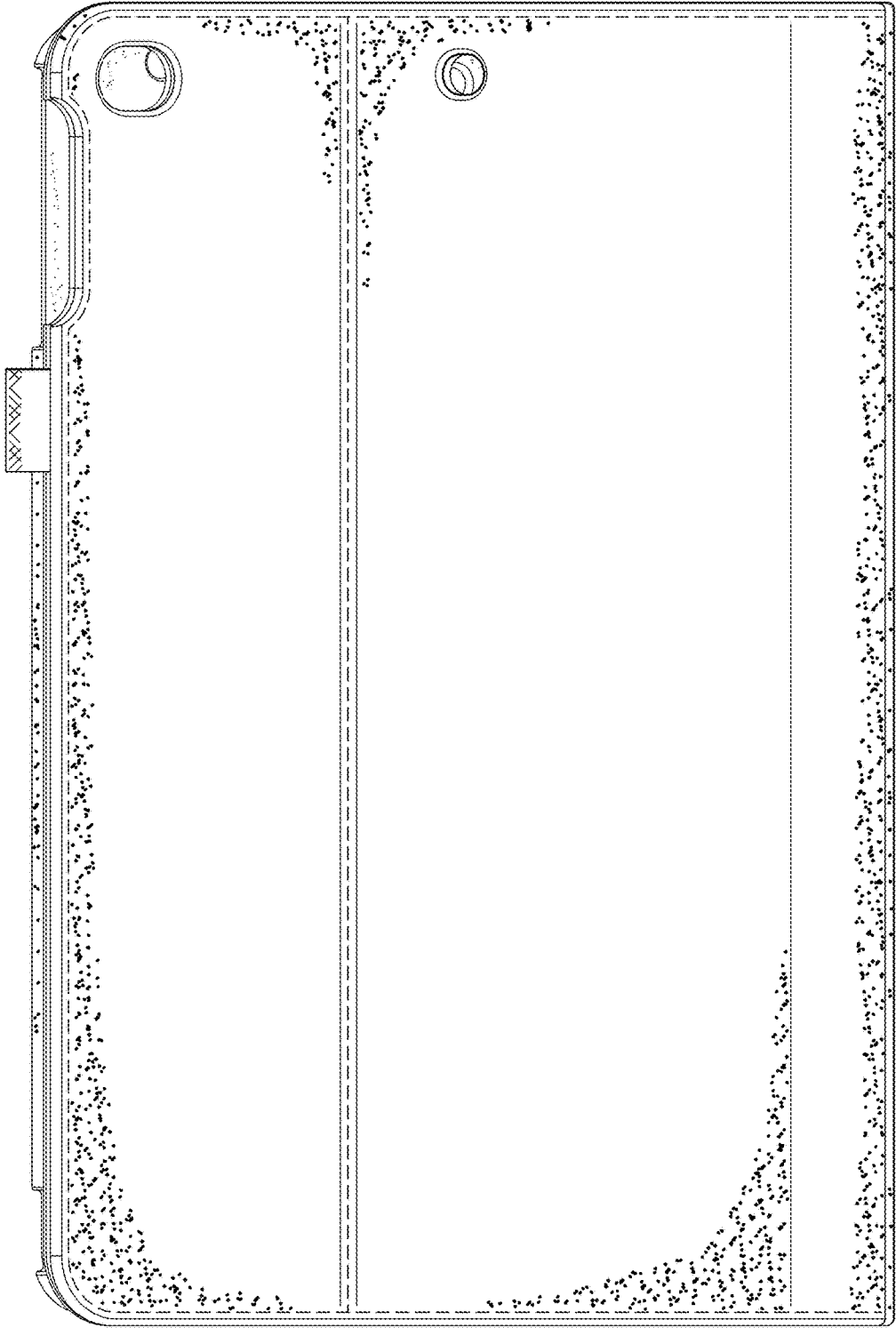


FIG. 3

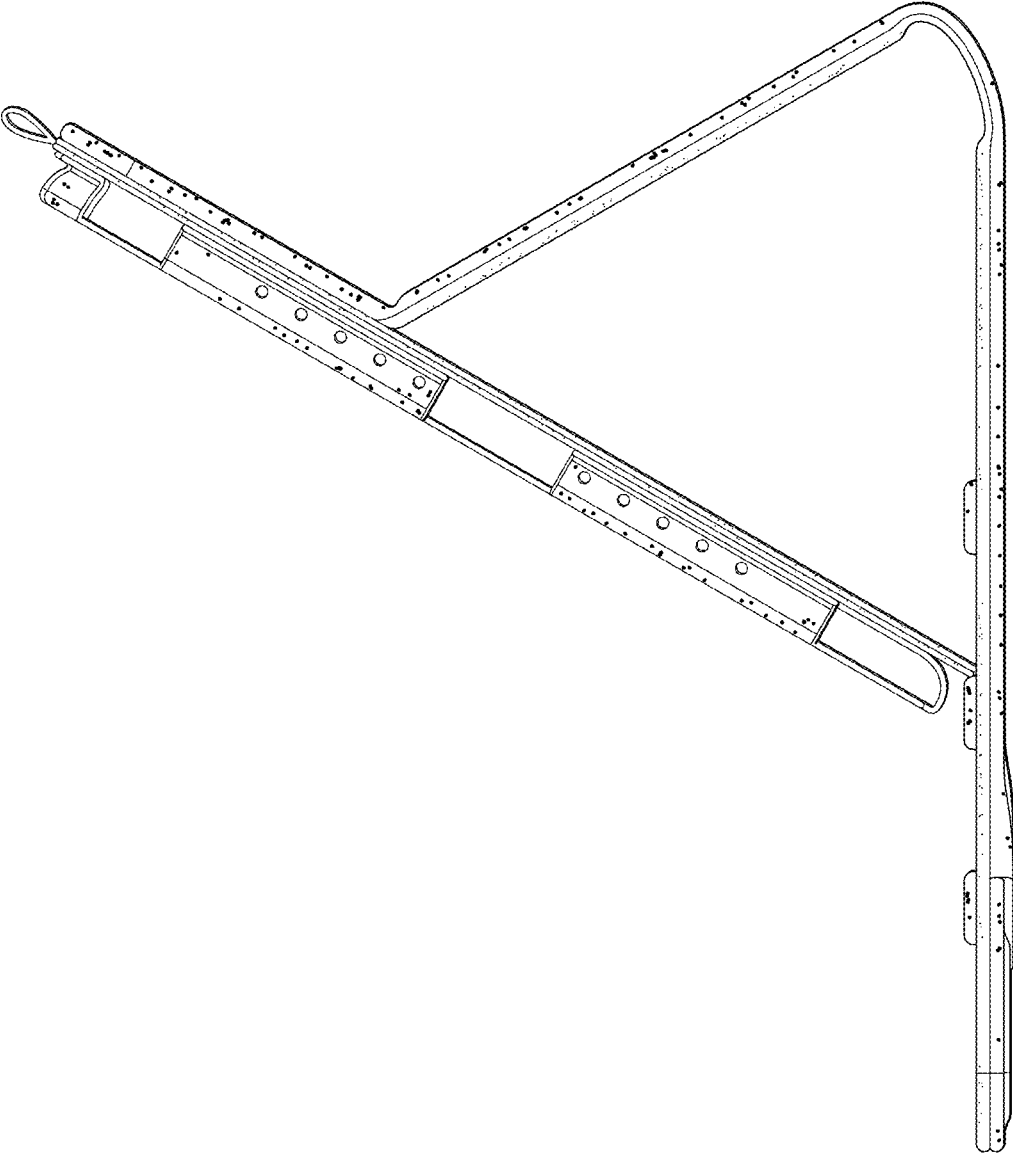


FIG. 4

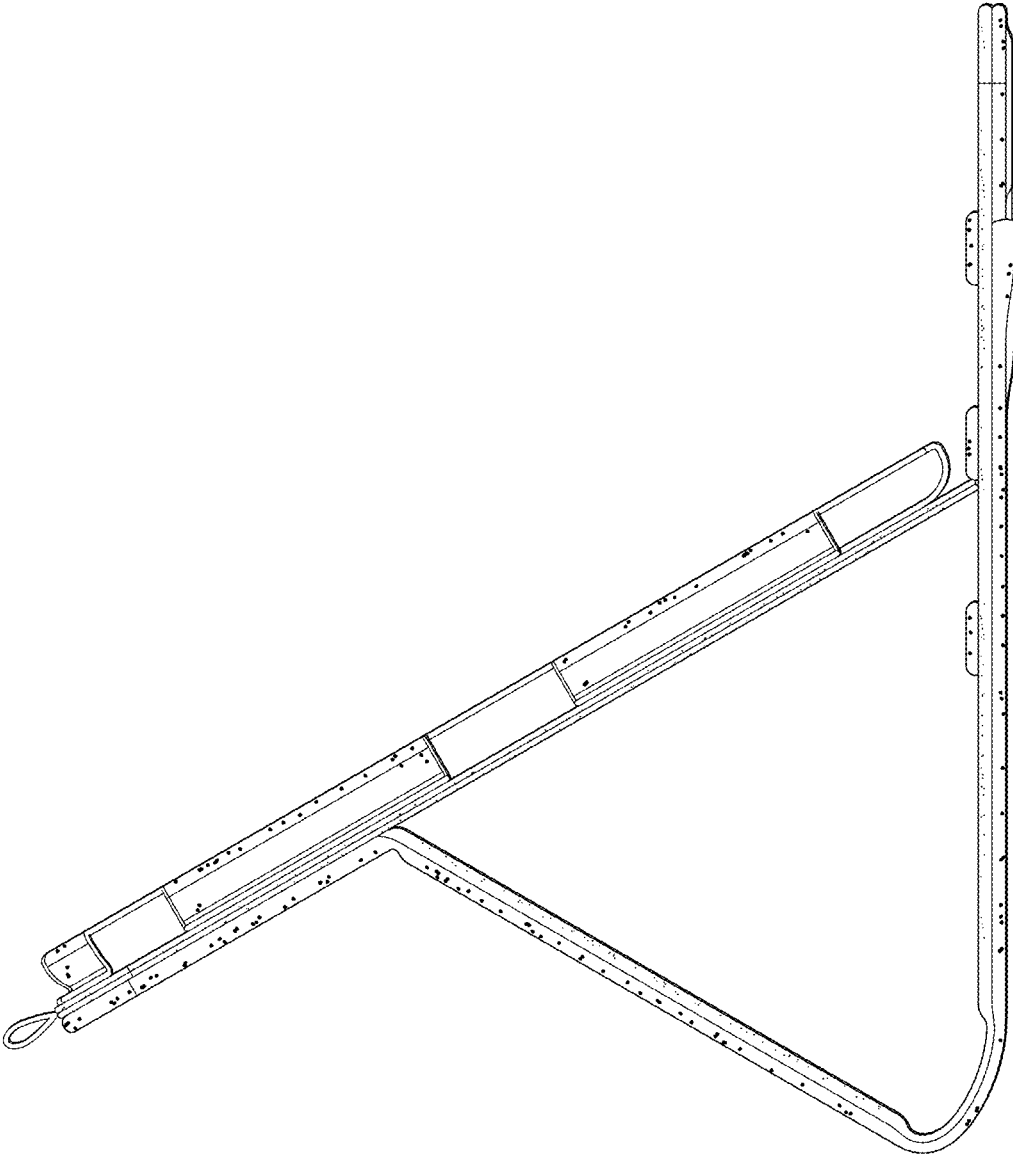


FIG. 5

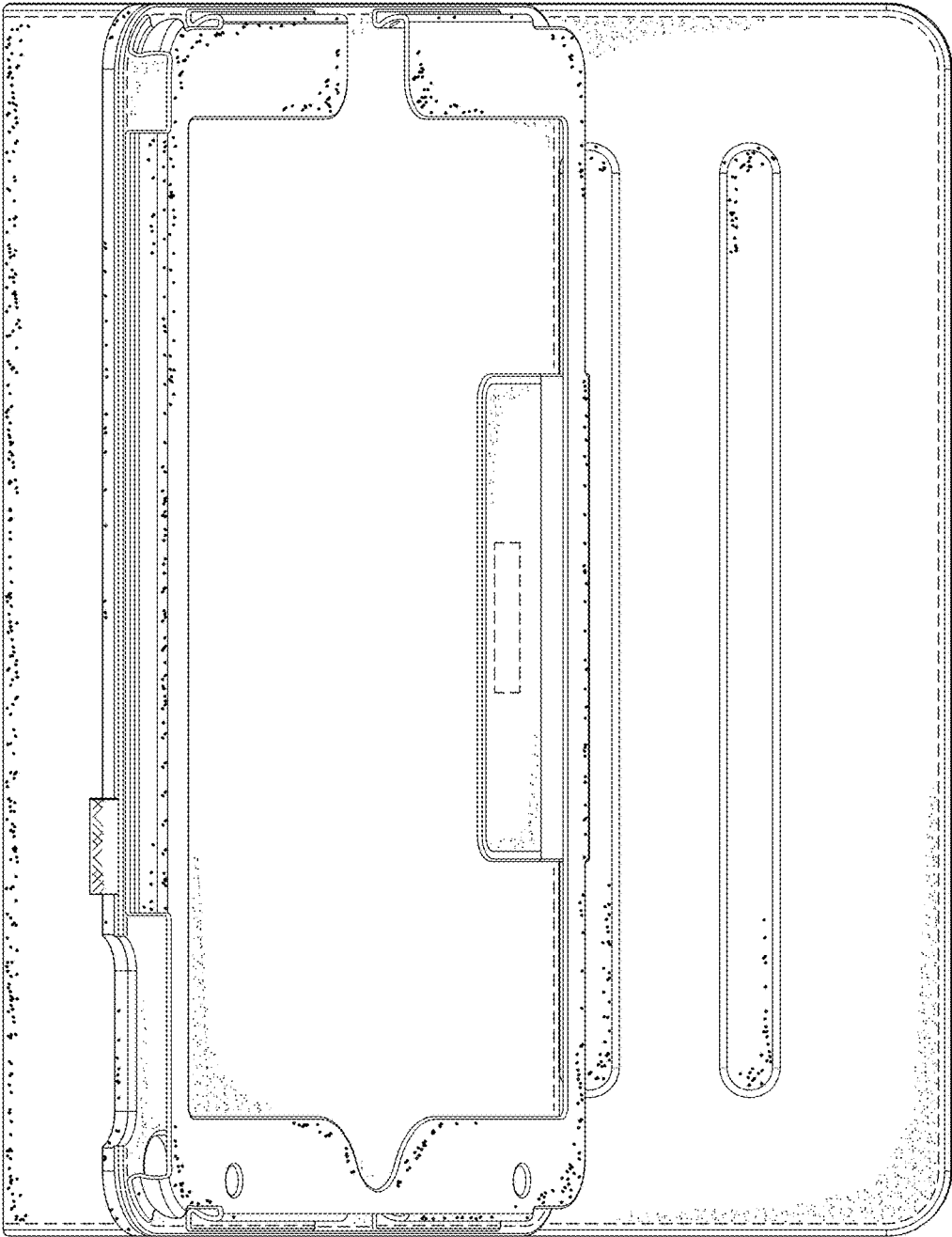


FIG. 6

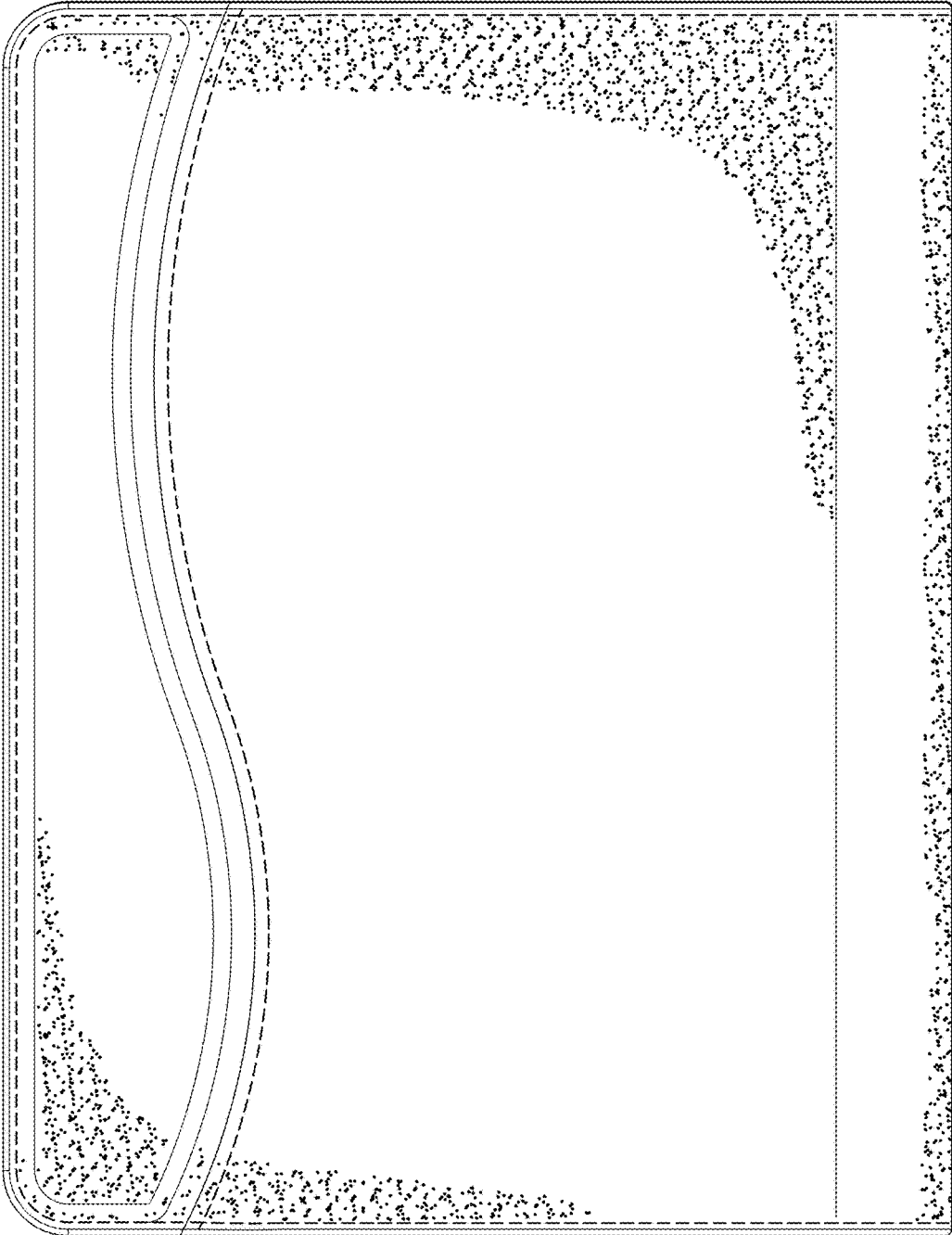


FIG. 7

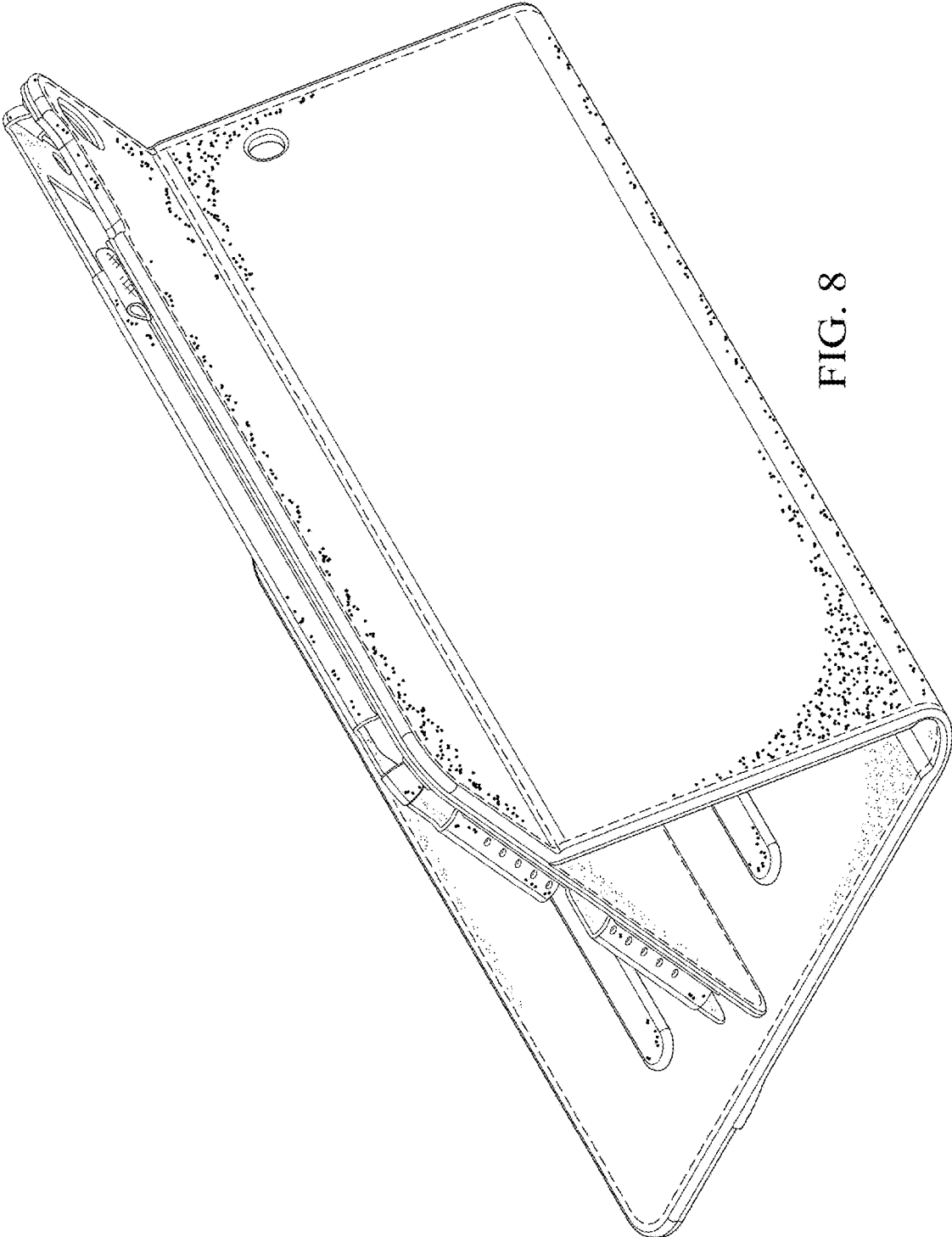


FIG. 8

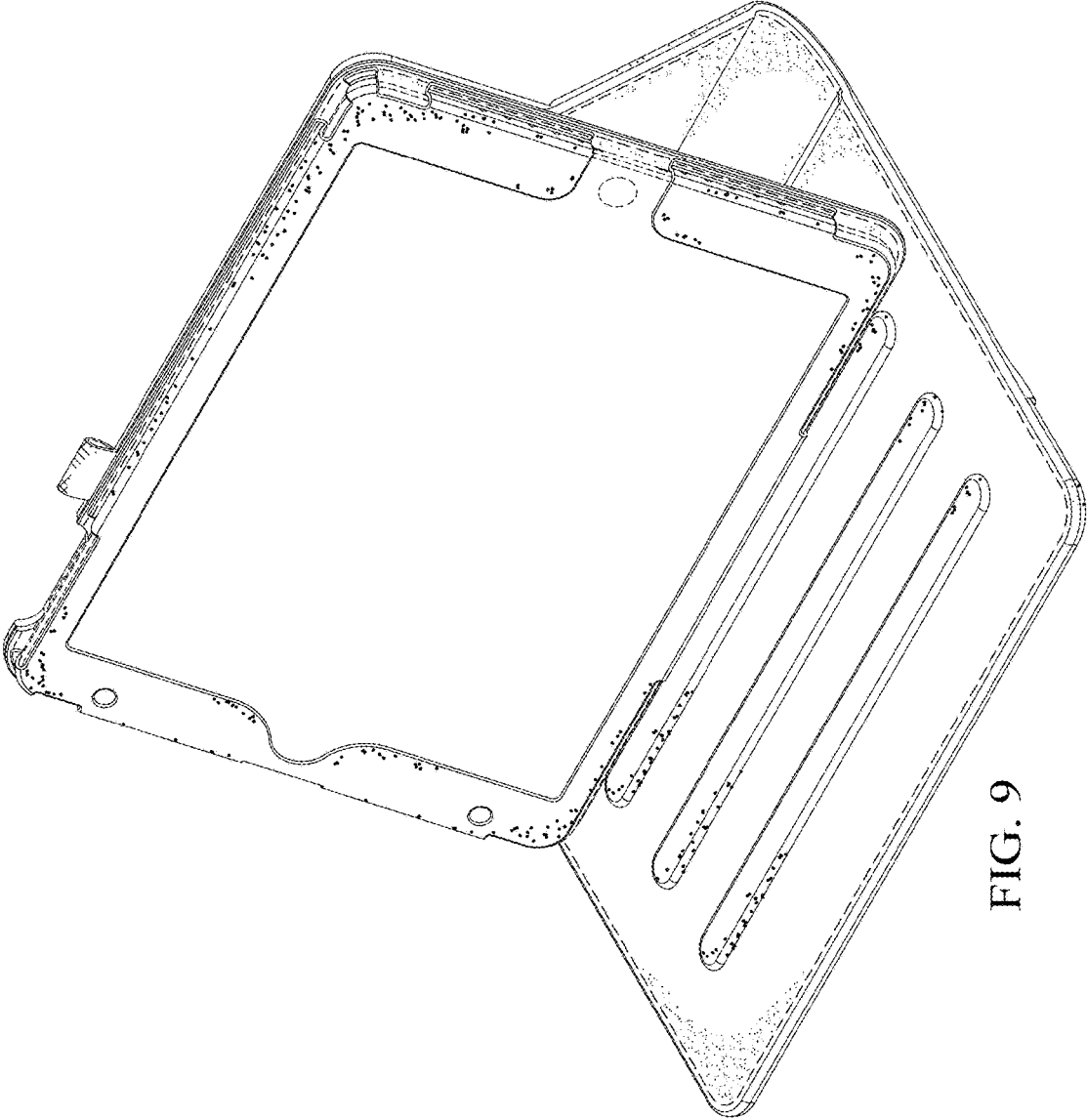


FIG. 9

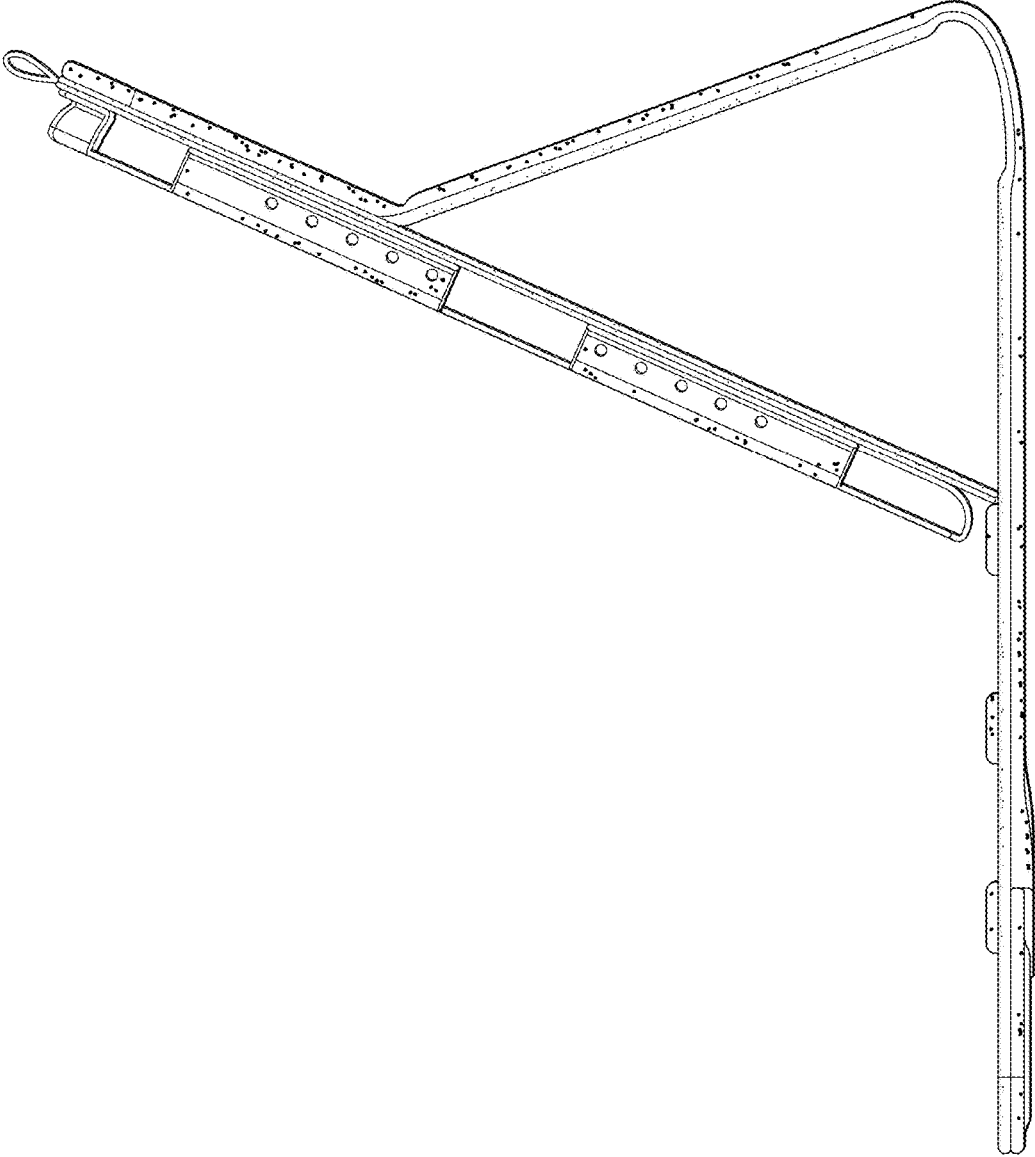


FIG. 10

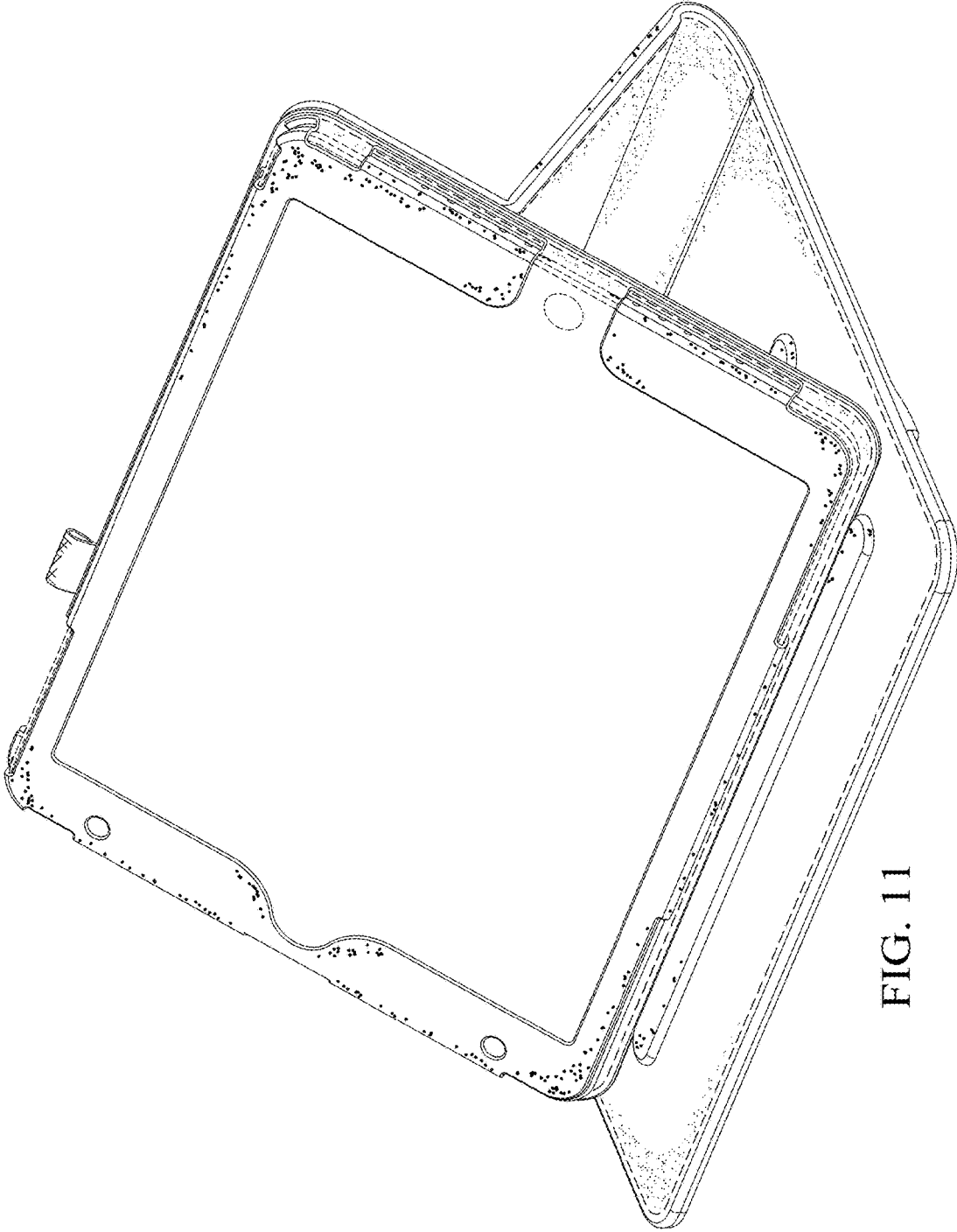


FIG. 11

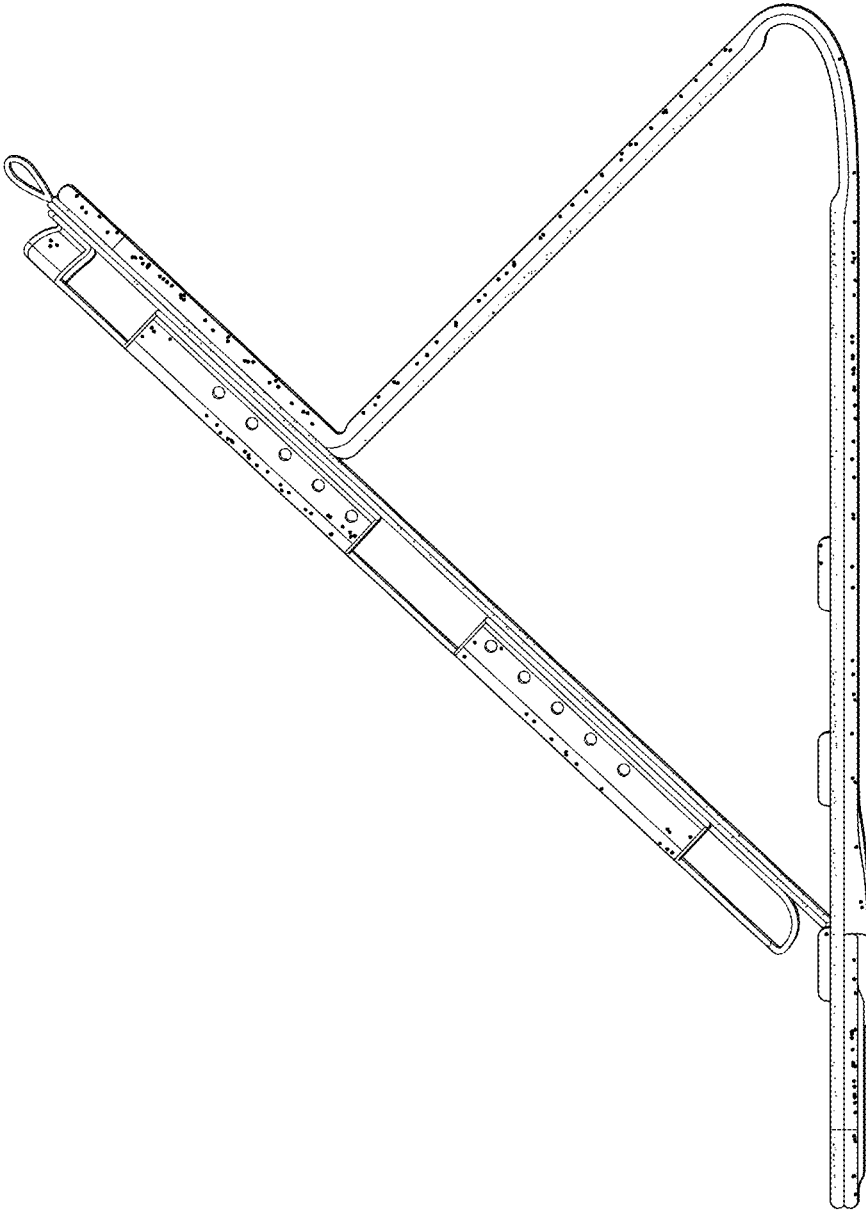


FIG. 12