

US00D571046S

(12) **United States Design Patent**
Ponzini

(10) **Patent No.:** **US D571,046 S**

(45) **Date of Patent:** **** Jun. 10, 2008**

(54) **DENTAL IMPLEMENT**

(75) Inventor: **Eligio Ponzini**, Lazzate (IT)

(73) Assignee: **Ponzini S.p.A.**, Lazzate (Milan) (IT)

(**) Term: **14 Years**

(21) Appl. No.: **29/251,819**

(22) Filed: **Jan. 13, 2006**

(51) **LOC (8) CL.** **28-03**

(52) **U.S. CL.** **D28/68**

(58) **Field of Classification Search** D24/152-154,
D24/176-182; 433/3, 141, 142-143, 147;
D19/48, 49; D8/DIG. 6, DIG. 7; D28/68;
132/89-91

See application file for complete search history.

(56) **References Cited**

U.S. PATENT DOCUMENTS

737,616 A *	9/1903	Harrell	433/142
1,261,339 A *	4/1918	Angle	433/3
2,835,972 A *	5/1958	Sheldon	433/3
D313,875 S *	1/1991	Chen	D28/68
D323,721 S *	2/1992	Bushberger	D28/68
5,100,321 A *	3/1992	Coss et al.	433/118
D354,154 S *	1/1995	Topelko	D28/68
D355,971 S *	2/1995	Meller	D24/152
5,407,358 A *	4/1995	Gruber	433/141
D358,002 S *	5/1995	Rakocy	D28/68
D369,884 S *	5/1996	Hashim	D28/68
D376,673 S *	12/1996	Topelko	D28/68
5,781,958 A *	7/1998	Meessmann et al.	433/141
5,816,806 A *	10/1998	Herbst et al.	433/141

D414,867 S *	10/1999	Moriwaki et al.	D24/152
D423,670 S *	4/2000	Scheuble et al.	D24/152
D437,663 S *	2/2001	Lang et al.	D28/68
D444,175 S *	6/2001	Omura	D19/49
6,273,719 B1 *	8/2001	Whitman	433/141
D459,809 S *	7/2002	Mangione	D24/152
6,729,877 B2 *	5/2004	Rahman	433/141
D493,577 S *	7/2004	Winkler	D28/68
D497,222 S *	10/2004	Ochs et al.	D28/68
D503,496 S *	3/2005	Nanda	D28/68
D504,948 S *	5/2005	Dragan et al.	D24/152
D504,949 S *	5/2005	Kuhn et al.	D24/152
D515,214 S *	2/2006	Jackson et al.	D24/176
D520,138 S *	5/2006	Kuhn et al.	D24/152
D521,687 S *	5/2006	Jansheski et al.	D28/68
D531,756 S *	11/2006	Yost et al.	D28/68
D533,965 S *	12/2006	Chodorow et al.	D28/68

* cited by examiner

Primary Examiner—Charles A Rademaker

(74) *Attorney, Agent, or Firm*—Young & Thompson

(57) **CLAIM**

The ornamental design for dental implement, as shown and described.

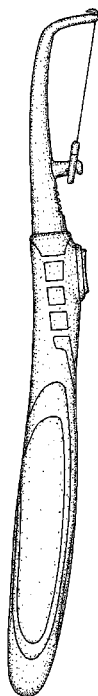
DESCRIPTION

FIG. 1 is a side elevation of a dental implement showing my new design, the side opposite being substantially a mirror image;

FIG. 2 is a front elevation thereof; and,

FIG. 3 is a top plan view thereof shown on a greatly enlarged scale.

1 Claim, 3 Drawing Sheets



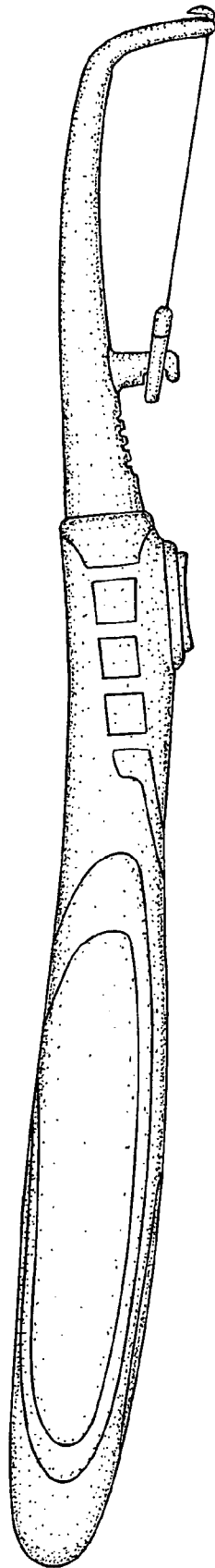


FIG. 1

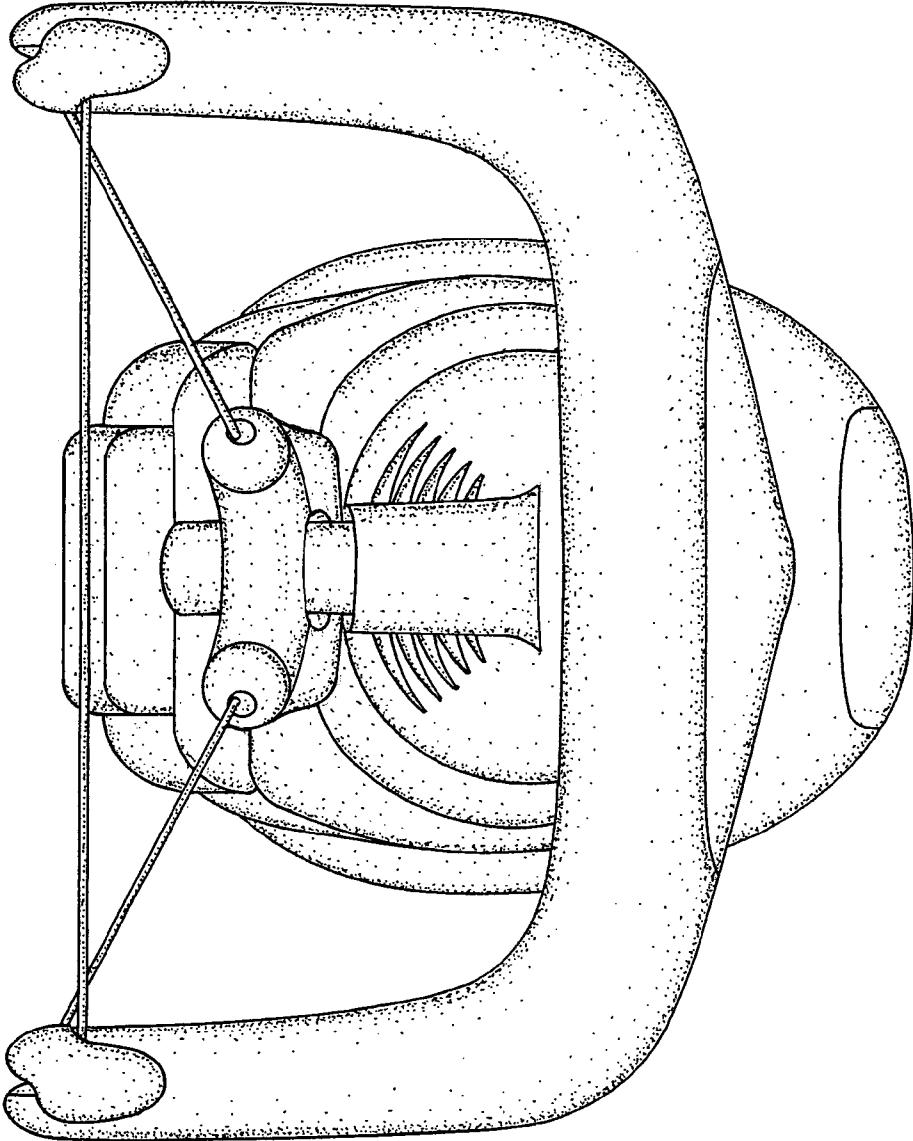


FIG. 2

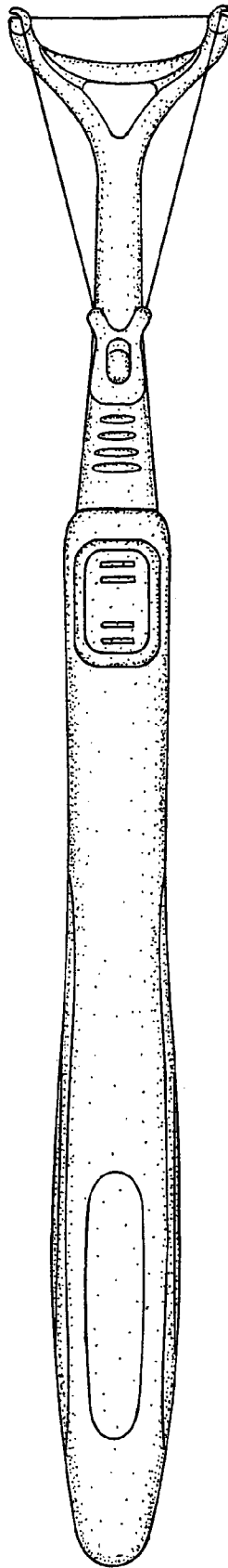


FIG. 3

UNITED STATES PATENT AND TRADEMARK OFFICE
CERTIFICATE OF CORRECTION

PATENT NO. : Des. 571,046 S
APPLICATION NO. : 29/251819
DATED : June 10, 2008
INVENTOR(S) : Eligio Ponzini

Page 1 of 1

It is certified that error appears in the above-identified patent and that said Letters Patent is hereby corrected as shown below:

On the Title Pg Item (Description)

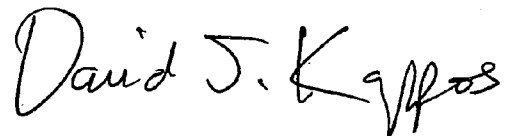
Rewrite the figure descriptions of Figures 2 and 3, as follows:

--Fig. 2 is a top plan view thereof shown on a
greatly enlarged scale; and

Fig. 3 is a front elevational view thereof.--

Signed and Sealed this

First Day of September, 2009



David J. Kappos
Director of the United States Patent and Trademark Office