



US00D784998S

(12) **United States Design Patent** (10) **Patent No.:** **US D784,998 S**
Cutler et al. (45) **Date of Patent:** **** *Apr. 25, 2017**

(54) **DOCKING MOUNT**
(71) Applicant: **Microsoft Corporation**, Redmond, WA (US)
(72) Inventors: **Dallas J. Cutler**, Portland, OR (US); **John Anthony Underwood**, Portland, OR (US); **Peter Richard Oehler**, Beaverton, OR (US); **Phil Frank**, Portland, OR (US)

D539,273 S * 3/2007 Fujii D14/239
D575,774 S * 8/2008 Harris D14/125
D588,141 S * 3/2009 Heggland D14/434
D598,458 S * 8/2009 Li D14/451
D603,386 S * 11/2009 Le D14/239
D603,412 S * 11/2009 Wills D14/451
D673,567 S * 1/2013 Yang D14/434
D685,806 S * 7/2013 Kim D14/451
D707,230 S * 6/2014 Castronovo D14/447
D731,995 S * 6/2015 Kamp D14/125
D742,863 S * 11/2015 Aoyagi D14/239

(73) Assignee: **Microsoft Corporation**, Redmond, WA (US)

* cited by examiner

(*) Notice: This patent is subject to a terminal disclaimer.

Primary Examiner — Angela J Lee

(74) *Attorney, Agent, or Firm* — Banner & Witcoff, Ltd.

(**) Term: **15 Years**

(21) Appl. No.: **29/555,571**

(57) **CLAIM**

The ornamental design for a docking mount, as shown and described.

(22) Filed: **Feb. 23, 2016**

(51) **LOC (10) Cl.** **08-07**

(52) **U.S. Cl.**
USPC **D14/447**

DESCRIPTION

(58) **Field of Classification Search**
USPC D14/447, 432, 434, 439, 440, 451, 452, D14/457, 239; D8/363, 373, 380; D6/406.3, 406.4, 406.5, 406.6; D12/415
CPC A47B 21/04; A47B 2097/006; A47B 2097/005; A47B 2023/049; A45C 2011/002; A45C 2011/003; F16M 2200/00; F16M 13/00
See application file for complete search history.

FIG. 1 is a front perspective view of a docking mount showing our new design;
FIG. 2 is a front view thereof;
FIG. 3 is a rear view thereof;
FIG. 4 is a right side view thereof;
FIG. 5 is a left side view thereof;
FIG. 6 is a top view thereof; and,
FIG. 7 is a bottom view thereof.

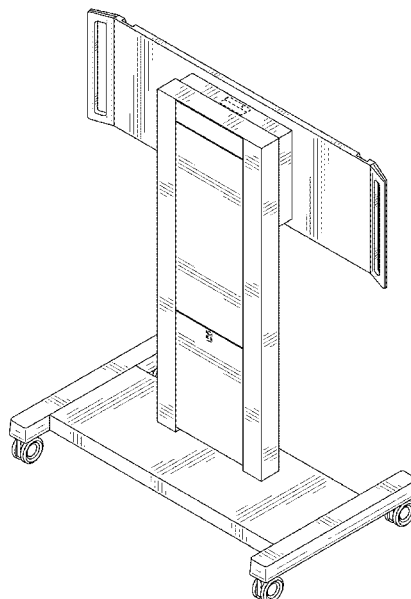
The broken line showing of the various unshaded elements of the docking mount in FIGS. 1-7 is for environmental purposes only and forms no part of the claimed design.

(56) **References Cited**

U.S. PATENT DOCUMENTS

D417,205 S * 11/1999 Clark D14/447
D508,916 S * 8/2005 Lee D14/434

1 Claim, 6 Drawing Sheets



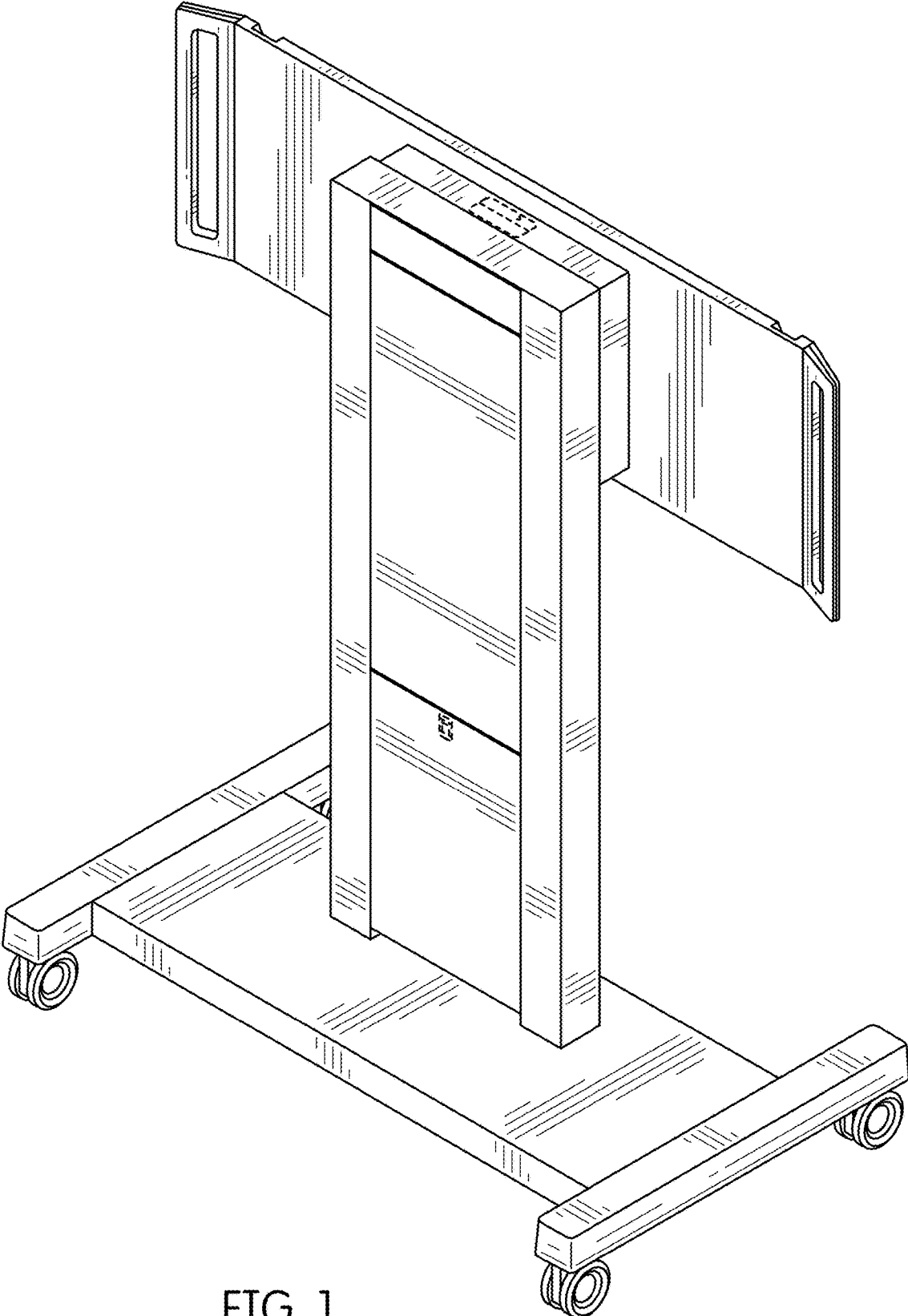


FIG. 1

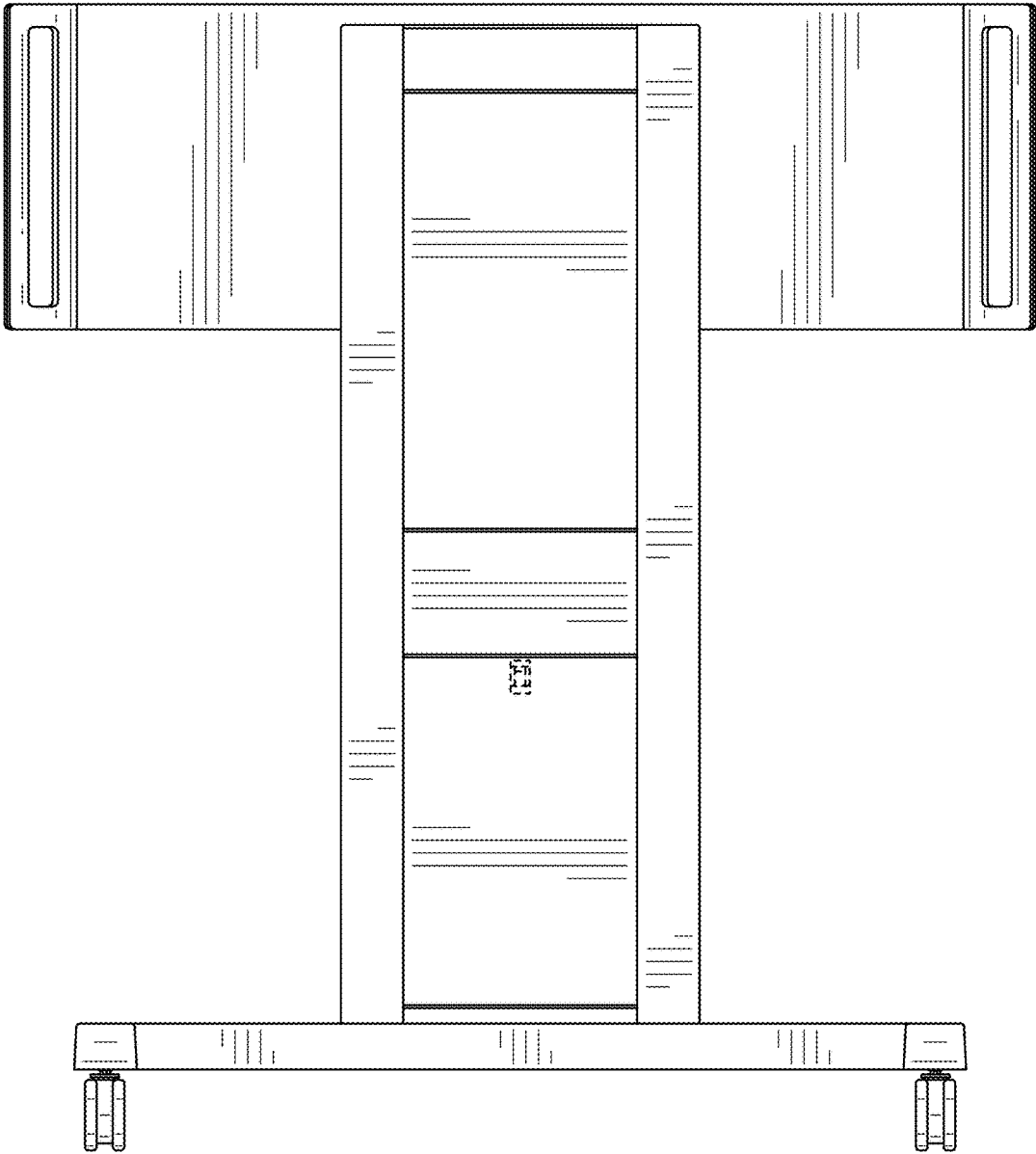


FIG. 2

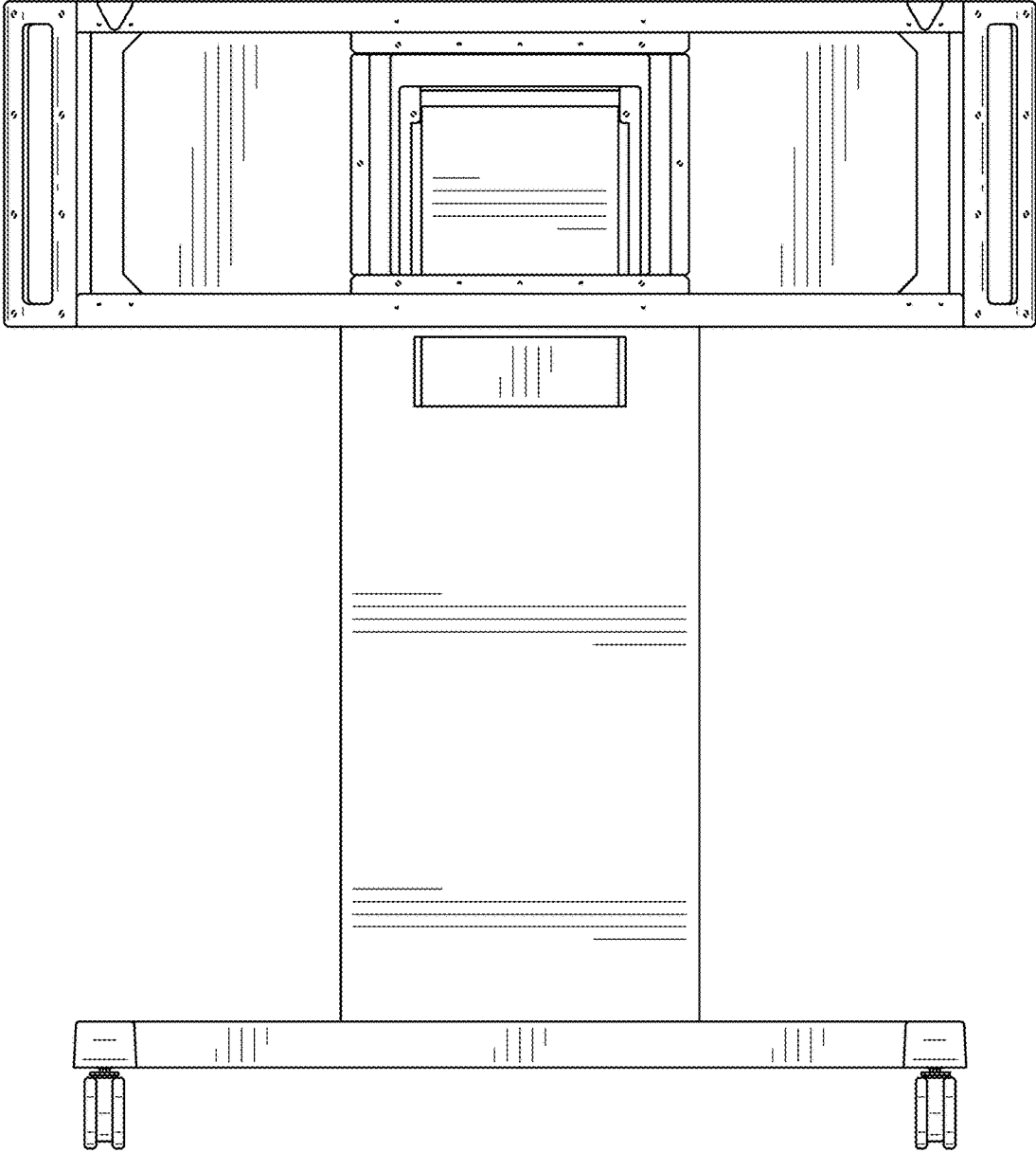


FIG. 3

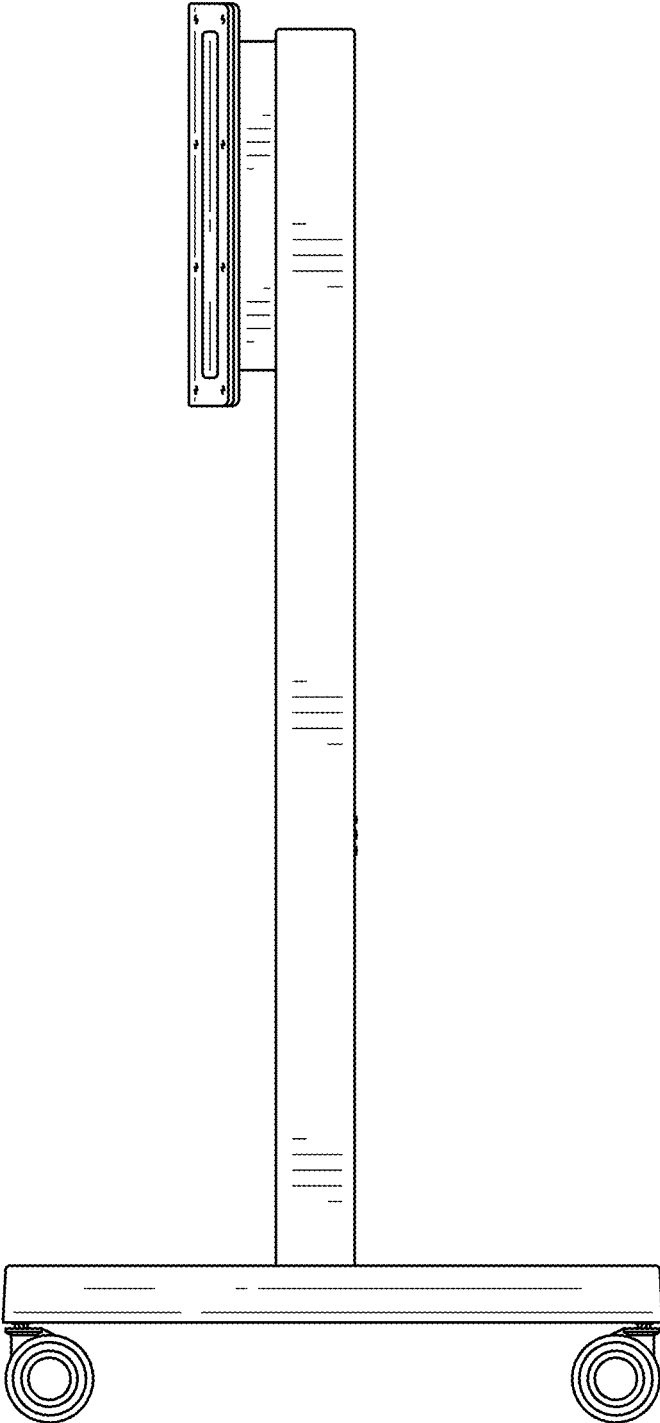


FIG. 4

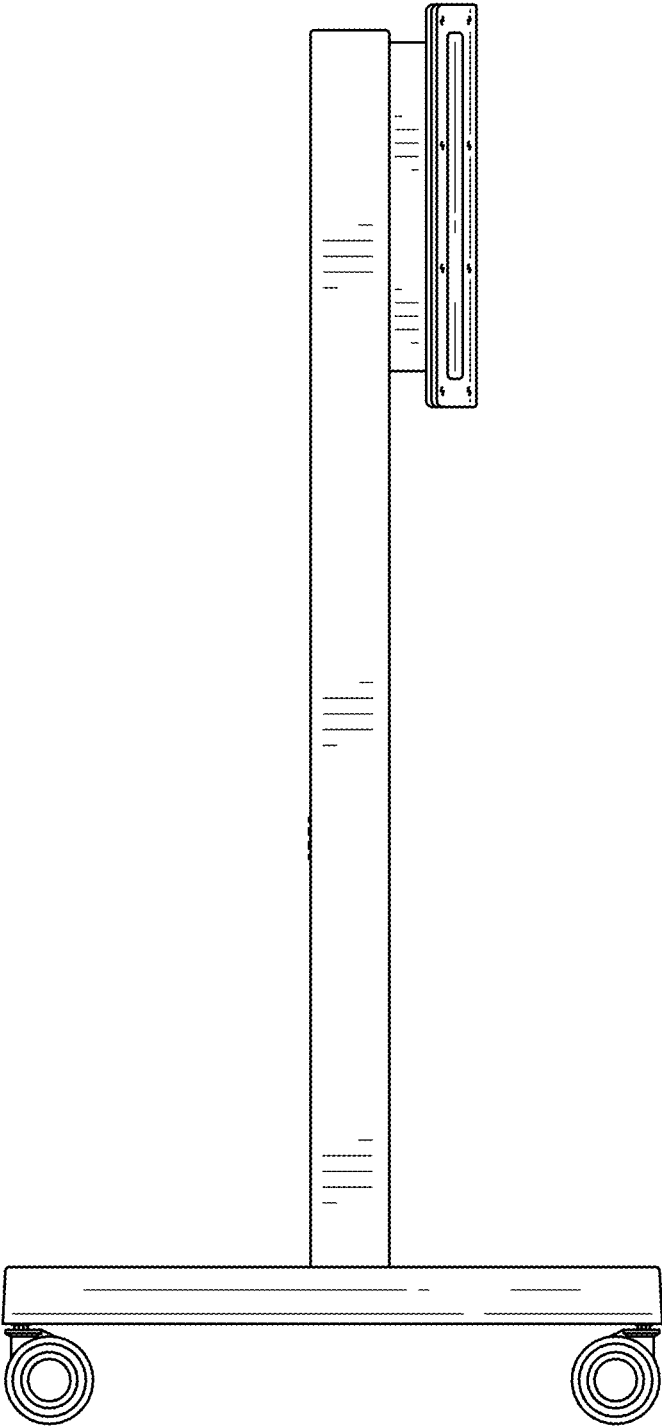


FIG. 5

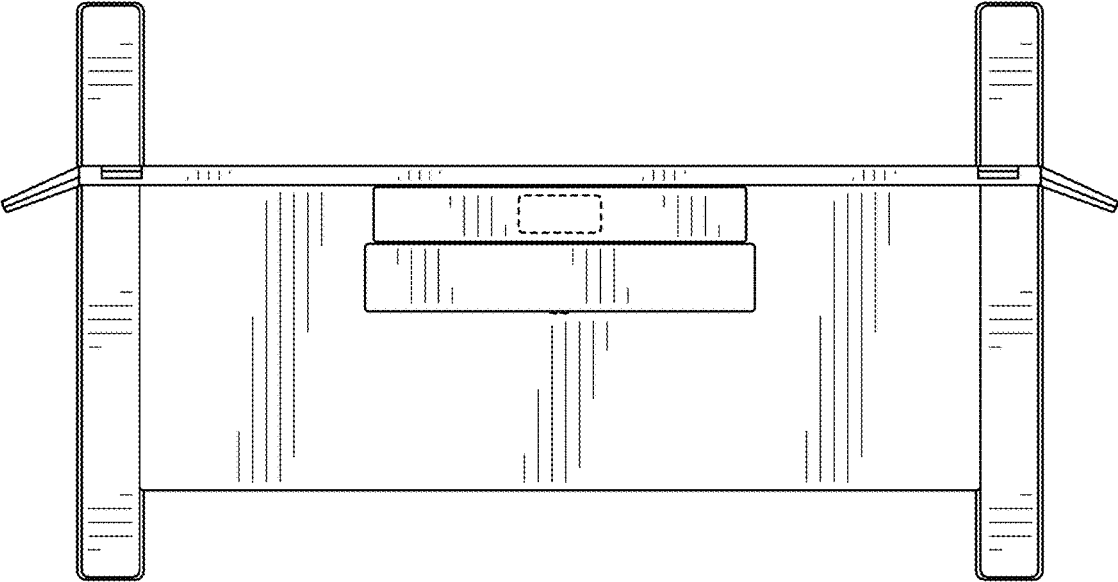


FIG. 6

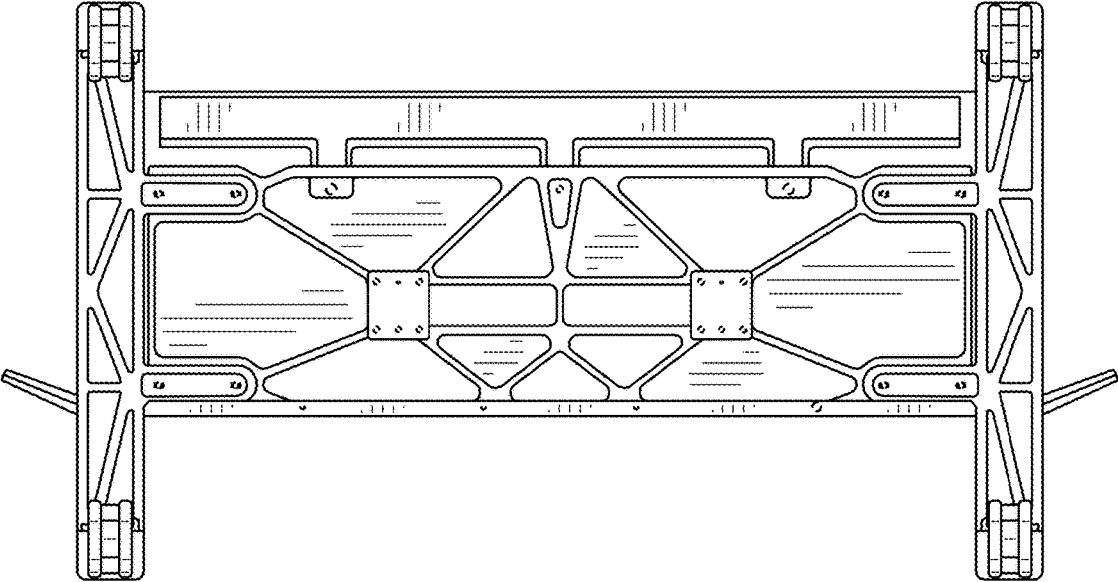


FIG. 7