



US00D412177S

United States Patent [19]
Fujii

[11] **Patent Number: Des. 412,177**
[45] **Date of Patent: ** Jul. 20, 1999**

[54] **BINOCULARS**

[75] Inventor: **Akio Fujii**, Tokyo, Japan

[73] Assignee: **Asahi Kogaku Kogyo Kabushiki Kaisha**, Tokyo, Japan

[**] Term: **14 Years**

[21] Appl. No.: **29/089,800**

[22] Filed: **Jun. 23, 1998**

[30] **Foreign Application Priority Data**

Dec. 25, 1997 [JP] Japan 9-79641

[51] **LOC (6) Cl.** **16-06**

[52] **U.S. Cl.** **D16/133**

[58] **Field of Search** D16/130, 132,
D16/133; 359/405, 407, 409, 411, 412,
413, 415, 417, 418, 420, 804, 809

[56] **References Cited**

U.S. PATENT DOCUMENTS

D. 223,298 4/1972 Senda et al. D16/133
D. 299,724 2/1989 Aoki D16/133

D. 359,972 7/1995 Tarahashi D16/133
D. 361,777 8/1995 Akabane et al. D16/133
D. 367,662 3/1996 Chan D16/133
D. 392,986 3/1998 Katou D16/133
D. 395,055 6/1998 Lee D16/133
4,329,013 5/1982 Hengst 359/418
5,231,535 7/1993 Peters et al. 359/416 X

Primary Examiner—Paula A. Mortimer
Attorney, Agent, or Firm—Sughrue, Mion, Zinn, Macpeak & Seas, PLLC

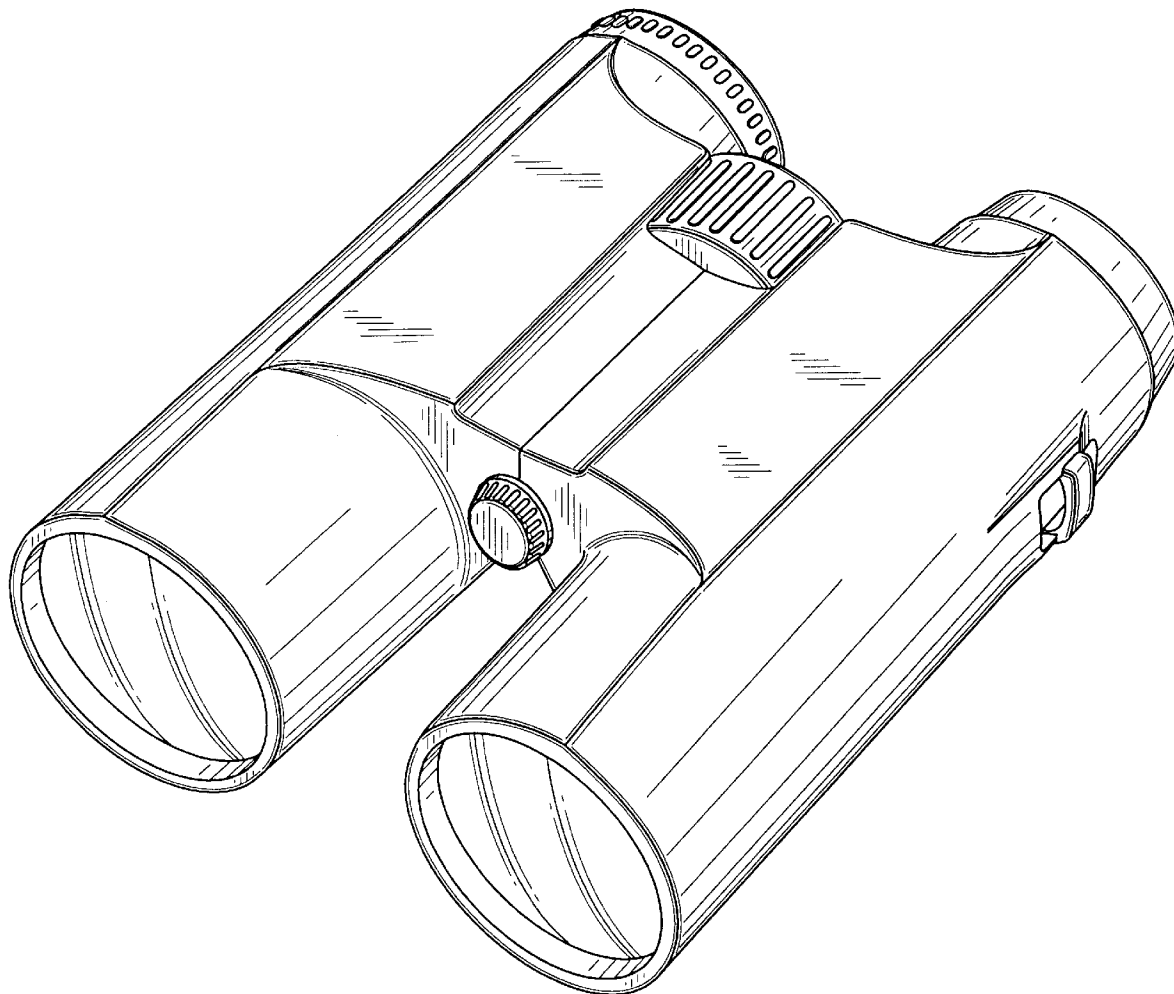
[57] **CLAIM**

The ornamental design for binoculars, as shown.

DESCRIPTION

FIG. 1 is a perspective view of the top, front and right side of binoculars showing my new design;
FIG. 2 is a top plan view thereof;
FIG. 3 is a front elevational view thereof;
FIG. 4 is a right side elevational view thereof;
FIG. 5 is a left side elevational view thereof;
FIG. 6 is a rear elevational view thereof; and,
FIG. 7 is a bottom plan view thereof.

1 Claim, 4 Drawing Sheets



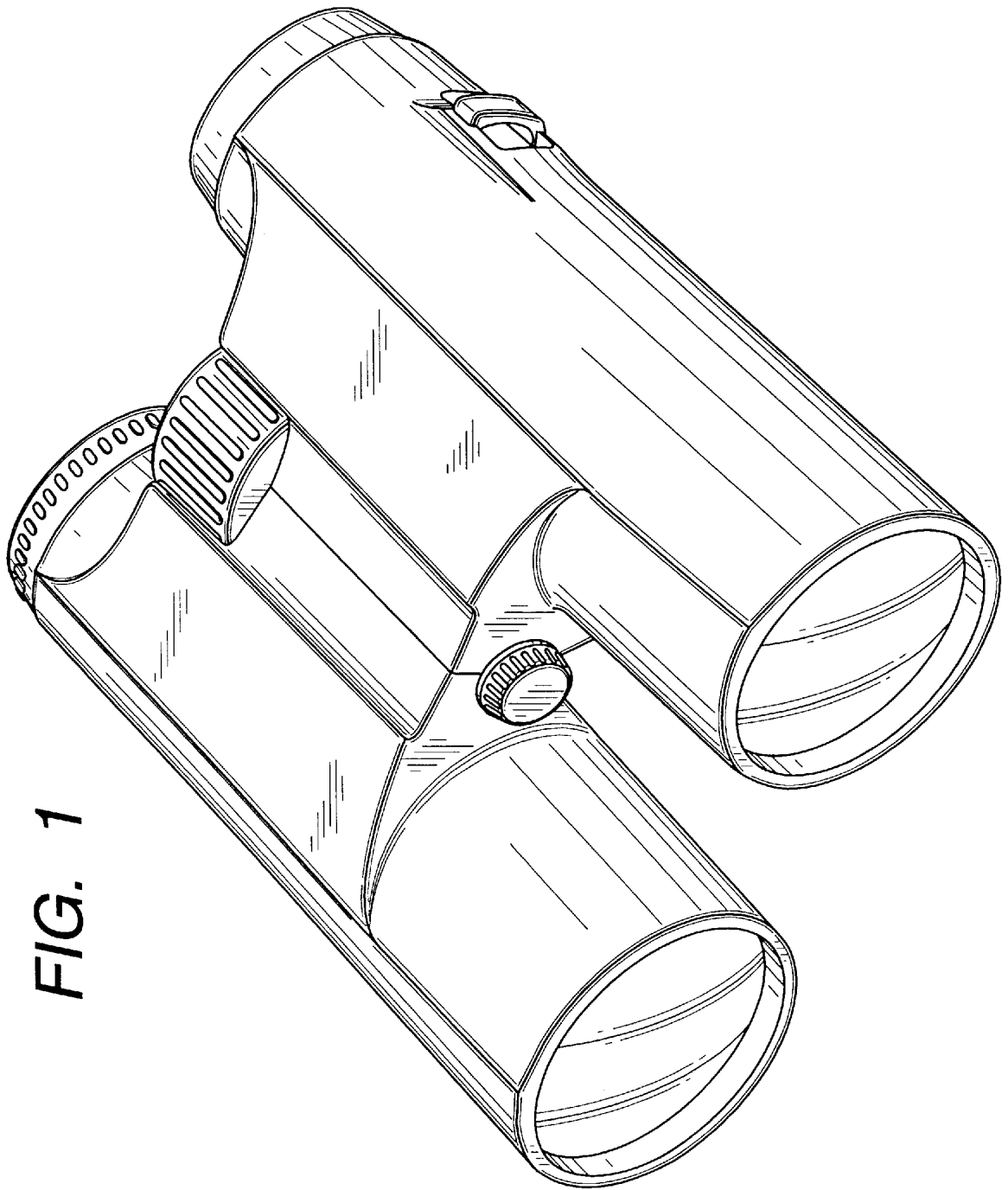


FIG. 1

FIG. 2

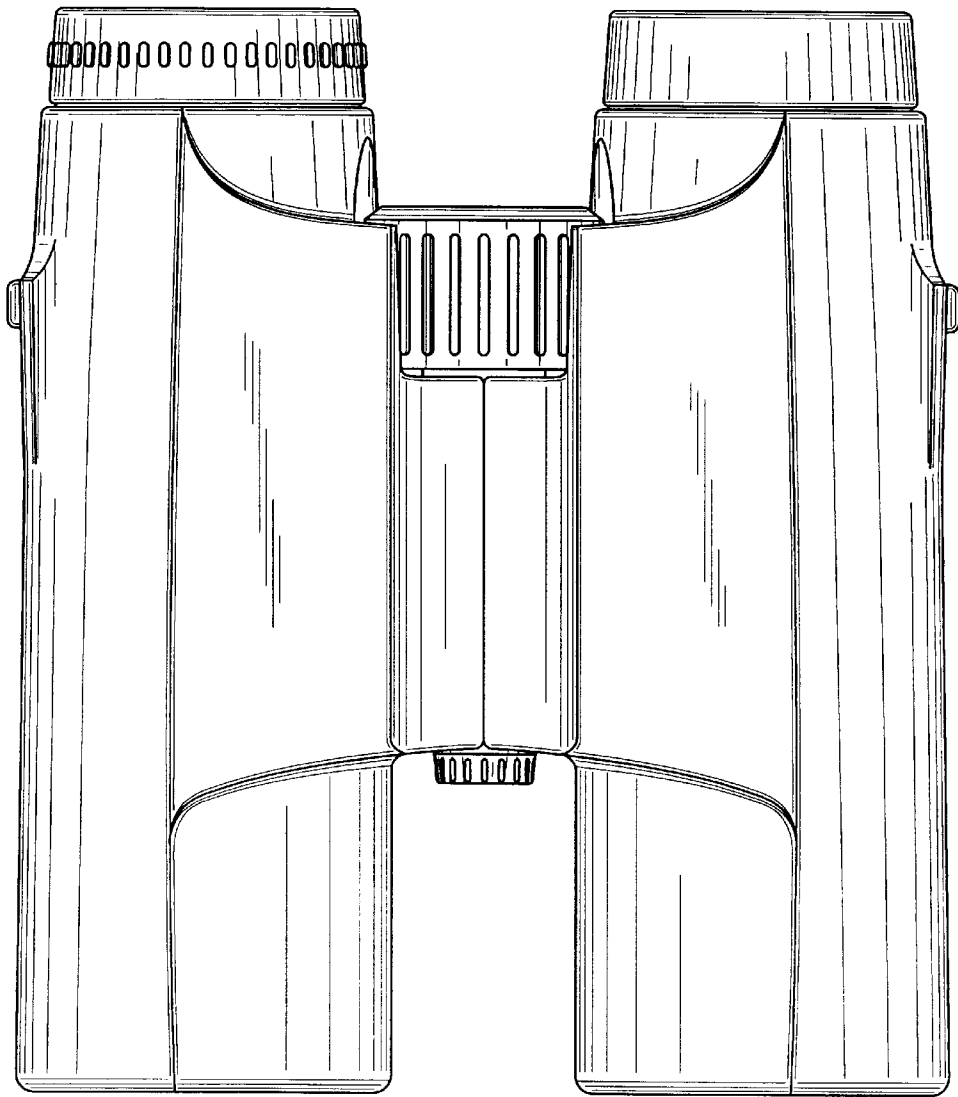


FIG. 3

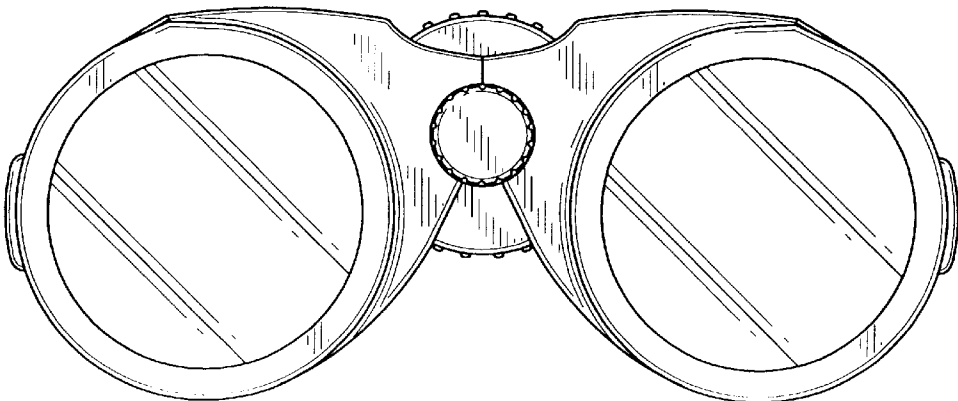


FIG. 4

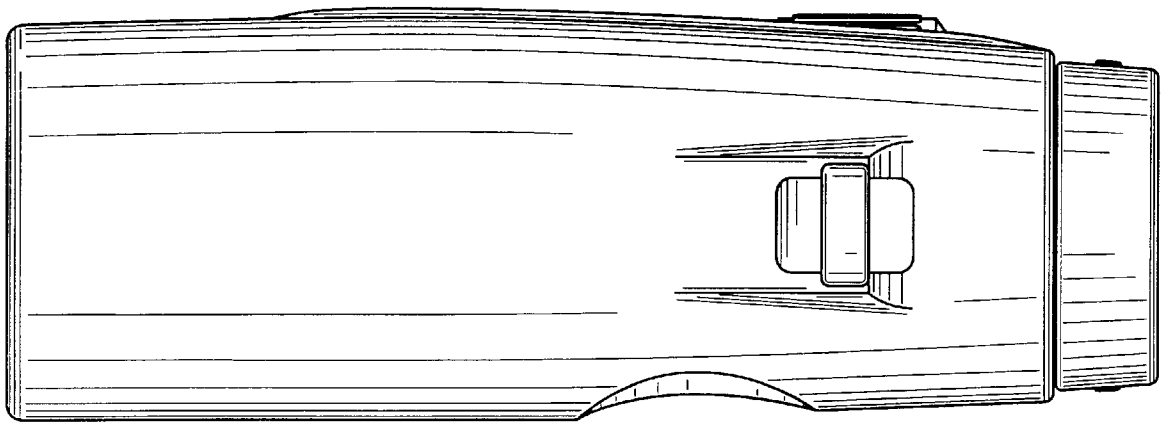


FIG. 5

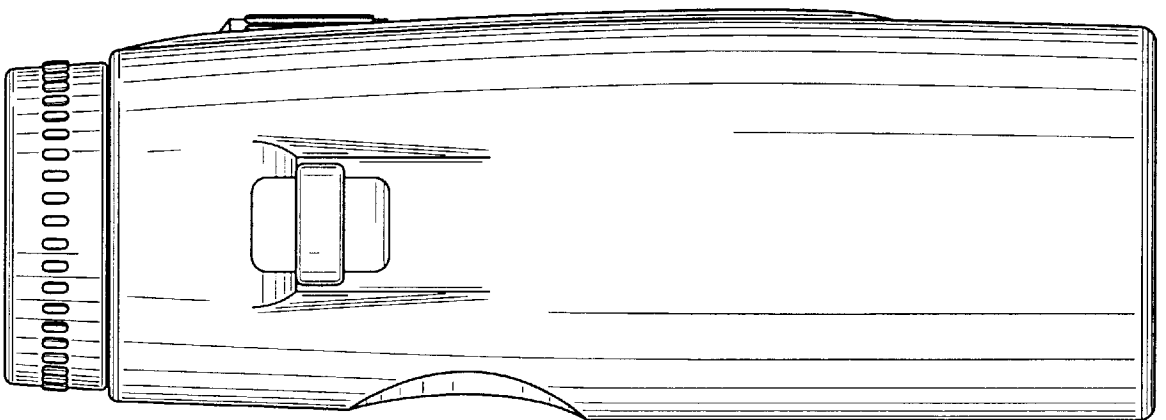


FIG. 6

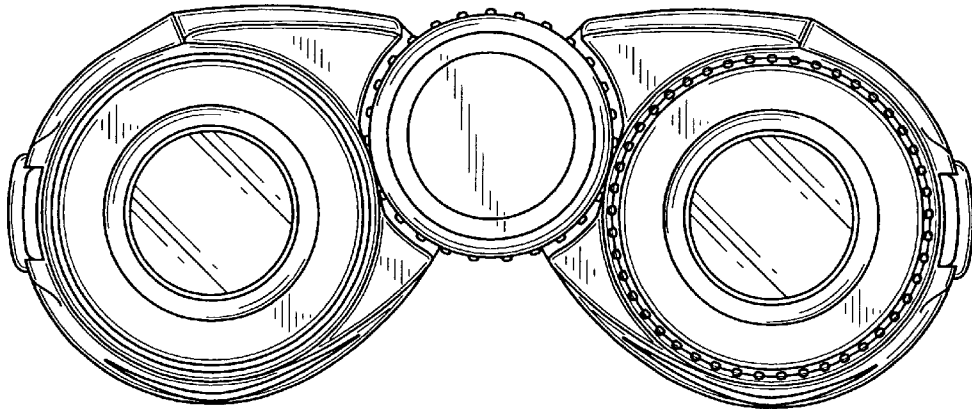


FIG. 7

