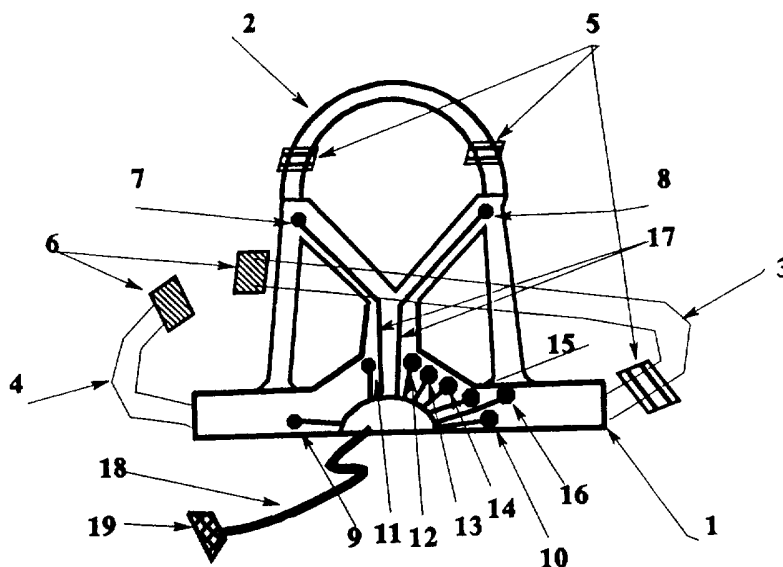




INTERNATIONAL APPLICATION PUBLISHED UNDER THE PATENT COOPERATION TREATY (PCT)

<p>(51) International Patent Classification ⁶ : A61B 5/04</p>	<p>A3</p>	<p>(11) International Publication Number: WO 97/14346 (43) International Publication Date: 24 April 1997 (24.04.97)</p>
<p>(21) International Application Number: PCT/IL96/00128 (22) International Filing Date: 17 October 1996 (17.10.96) (30) Priority Data: 115674 19 October 1995 (19.10.95) IL (71) Applicant (for all designated States except US): TAPUZ MEDICAL TECHNOLOGY LTD. [IL/IL]; Jordan Valley Regional Enterprises, 15132 Mobile Post Jordan Valley (IL). (72) Inventor; and (75) Inventor/Applicant (for US only): AKIVA, Sharon [IL/IL]; 27 Hashkedim, 36000 Kiryat Tivon (IL). (74) Agent: NOAM, Meir, P.O. Box 32081, 91320 Jerusalem (IL).</p>		<p>(81) Designated States: AL, AM, AT, AU, AZ, BB, BG, BR, BY, CA, CH, CN, CZ, DE, DK, EE, ES, FI, GB, GE, HU, IL, IS, JP, KE, KG, KP, KR, KZ, LK, LR, LS, LT, LU, LV, MD, MG, MK, MN, MW, MX, NO, NZ, PL, PT, RO, RU, SD, SE, SG, SI, SK, TJ, TM, TR, TT, UA, UG, US, UZ, VN, ARIPO patent (KE, LS, MW, SD, SZ, UG), Eurasian patent (AM, AZ, BY, KG, KZ, MD, RU, TJ, TM), European patent (AT, BE, CH, DE, DK, ES, FI, FR, GB, GR, IE, IT, LU, MC, NL, PT, SE), OAPI patent (BF, BJ, CF, CG, CI, CM, GA, GN, ML, MR, NE, SN, TD, TG).</p> <p>Published <i>With international search report.</i> <i>Before the expiration of the time limit for amending the claims and to be republished in the event of the receipt of amendments.</i></p> <p>(88) Date of publication of the international search report: 29 May 1997 (29.05.97)</p>

(54) Title: ELECTRODES APRON FOR ECG



(57) Abstract

The present invention relates to an electrode apron (1) for an ECG which is comprised of an apron cast from a flexible material to be placed over the chest of a patient, ten electrodes are inlaid within the apron in predetermined places wherein six of the said electrodes (11)-(16) are located at predetermined distances between the ribs, two under each shoulder (7, 8), and two at both sides of the stomach (9, 10). Either curved or spiraled conductors (17) are cast within the flexible material and each conductor is connected to an electrode. A multiple pronged cable (18) feeds each of the conductors and includes a connector (19) for connecting the apron to a standard ECG measuring device. The apron also has straps (3, 4) and a belt for tightening the apron on the body of the patient, positioning the electrodes of the apron in their required locations for ECG tests. Another preferred embodiment of the present invention is an electrode apron having two bracelets for attachment to the arms of a patient. The two bracelets on both sides of the apron are attached to the arms of the patient such that when the patient's arms are brought to their regular position, parallel to the body, the apron is tightened over the chest of the patient.

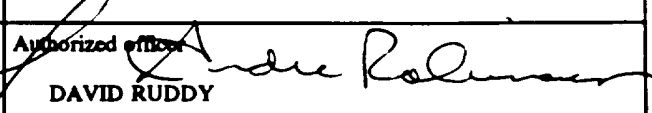
FOR THE PURPOSES OF INFORMATION ONLY

Codes used to identify States party to the PCT on the front pages of pamphlets publishing international applications under the PCT.

AM	Armenia	GB	United Kingdom	MW	Malawi
AT	Austria	GE	Georgia	MX	Mexico
AU	Australia	GN	Guinea	NE	Niger
BB	Barbados	GR	Greece	NL	Netherlands
BE	Belgium	HU	Hungary	NO	Norway
BF	Burkina Faso	IE	Ireland	NZ	New Zealand
BG	Bulgaria	IT	Italy	PL	Poland
BJ	Benin	JP	Japan	PT	Portugal
BR	Brazil	KE	Kenya	RO	Romania
BY	Belarus	KG	Kyrgystan	RU	Russian Federation
CA	Canada	KP	Democratic People's Republic of Korea	SD	Sudan
CF	Central African Republic	KR	Republic of Korea	SE	Sweden
CG	Congo	KZ	Kazakhstan	SG	Singapore
CH	Switzerland	LI	Liechtenstein	SI	Slovenia
CI	Côte d'Ivoire	LK	Sri Lanka	SK	Slovakia
CM	Cameroon	LR	Liberia	SN	Senegal
CN	China	LT	Lithuania	SZ	Swaziland
CS	Czechoslovakia	LU	Luxembourg	TD	Chad
CZ	Czech Republic	LV	Larvia	TG	Togo
DE	Germany	MC	Monaco	TJ	Tajikistan
DK	Denmark	MD	Republic of Moldova	TT	Trinidad and Tobago
EE	Estonia	MG	Madagascar	UA	Ukraine
ES	Spain	ML	Mali	UG	Uganda
FI	Finland	MN	Mongolia	US	United States of America
FR	France	MN	Mongolia	UZ	Uzbekistan
GA	Gabon	MR	Mauritania	VN	Viet Nam

INTERNATIONAL SEARCH REPORT

International application No.
PCT/IL96/00128

A. CLASSIFICATION OF SUBJECT MATTER IPC(6) :A61B 5/04 US CL :128/639, 640, 644 According to International Patent Classification (IPC) or to both national classification and IPC		
B. FIELDS SEARCHED Minimum documentation searched (classification system followed by classification symbols) U.S. : 128/639-644, 696 Documentation searched other than minimum documentation to the extent that such documents are included in the fields searched Electronic data base consulted during the international search (name of data base and, where practicable, search terms used) APS		
C. DOCUMENTS CONSIDERED TO BE RELEVANT		
Category*	Citation of document, with indication, where appropriate, of the relevant passages	Relevant to claim No.
X --- Y	WO 94/17729 A (ROLLMAN et al) 18 August 1994, entire document.	1, 3-5 ----- 2
X	US 5,445,149 A (ROTOLO et al) 29 August 1995, entire document.	1-3
X	US 5,224,479 A (SEKINE) 06 July 1993, entire document.	1-3
Y,P	US 5,471,983 A (MAGNUS) 05 December 1995, entire document.	5
A	US 4,763,660 A (KROLL et al) 16 August 1988, entire document.	1-5
A	US 5,301,678 A (WATSON et al) 12 April 1994, entire document.	1-5
<input type="checkbox"/> Further documents are listed in the continuation of Box C. <input type="checkbox"/> See patent family annex.		
* Special categories of cited documents: "A" document defining the general state of the art which is not considered to be of particular relevance "E" earlier document published on or after the international filing date "L" document which may throw doubts on priority claim(s) or which is cited to establish the publication date of another citation or other special reason (as specified) "O" document referring to an oral disclosure, use, exhibition or other means "P" document published prior to the international filing date but later than the priority date claimed	"T" later document published after the international filing date or priority date and not in conflict with the application but cited to understand the principle or theory underlying the invention "X" document of particular relevance; the claimed invention cannot be considered novel or cannot be considered to involve an inventive step when the document is taken alone "Y" document of particular relevance; the claimed invention cannot be considered to involve an inventive step when the document is combined with one or more other such documents, such combination being obvious to a person skilled in the art "A" document member of the same patent family	
Date of the actual completion of the international search 27 MARCH 1997		Date of mailing of the international search report 14 APR 1997
Name and mailing address of the ISA/US Commissioner of Patents and Trademarks Box PCT Washington, D.C. 20231 Facsimile No. (703) 305-3230		Authorized officer  DAVID RUDDY Telephone No. (703) 308-3595