

(12) **UK Patent Application** (19) **GB** (11) **2 392 558** (13) **A**

(43) Date of A Publication **03.03.2004**

(21) Application No: **0317995.9**
(22) Date of Filing: **31.07.2003**
(30) Priority Data:
(31) **2002254617** (32) **30.08.2002** (33) **JP**
(31) **2003122777** (32) **25.04.2003**

(71) Applicant(s):
Tomy Company, Ltd.
(Incorporated in Japan)
9-10 Tateishi 7-chome, Katsushika-ku,
Tokyo 124-8511, Japan

(72) Inventor(s):
Kimitaka Watanabe
Hiroyuki Yamanaka
Isamu Takahashi

(74) Agent and/or Address for Service:
Brookes Batchellor
102-108 Clerkenwell Road, LONDON,
EC1M 5SA, United Kingdom

(51) INT CL⁷:
H05B 33/26 , H01L 23/482

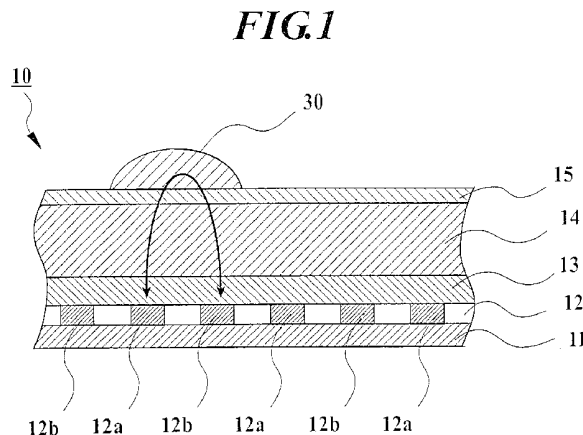
(52) UK CL (Edition W):
H1K KEAL KEE KHAX K1EA K4C2D

(56) Documents Cited:
GB 2063544 A **EP 1164621 A**
JP 2002050474 A

(58) Field of Search:
UK CL (Edition V) **H1K**
INT CL⁷ **G09F, H01L, H05B**
Other: **EPODOC, WPI, JAPIO, IEEE Xplore, SPIN Web**

(54) Abstract Title: **Electroluminescent light emitting display**

(57) An electroluminescent light emitting sheet 10 has a light-emitting layer 14 comprising electroluminescent elements, and a pair of spaced, parallel, interdigitated, comb-like electrodes 12a & 12b which are formed on the rear of the display at an angle with respect to the edges of the light-emitting sheet (see fig. 2). An ac voltage is applied between the electrodes, wherein the display is configured so that when an electrically conductive material 30 is placed covering an area of the front surface of the display, that area is caused to emit light. The inclination of the electrode direction allows an increased probability of reliable illumination of the area covered by the conductive material, when the area has the form of characters or drawings, particularly those comprising generally thin orthogonal lines, parallel to the display edges.



GB 2 392 558 A

1/8
FIG. 1

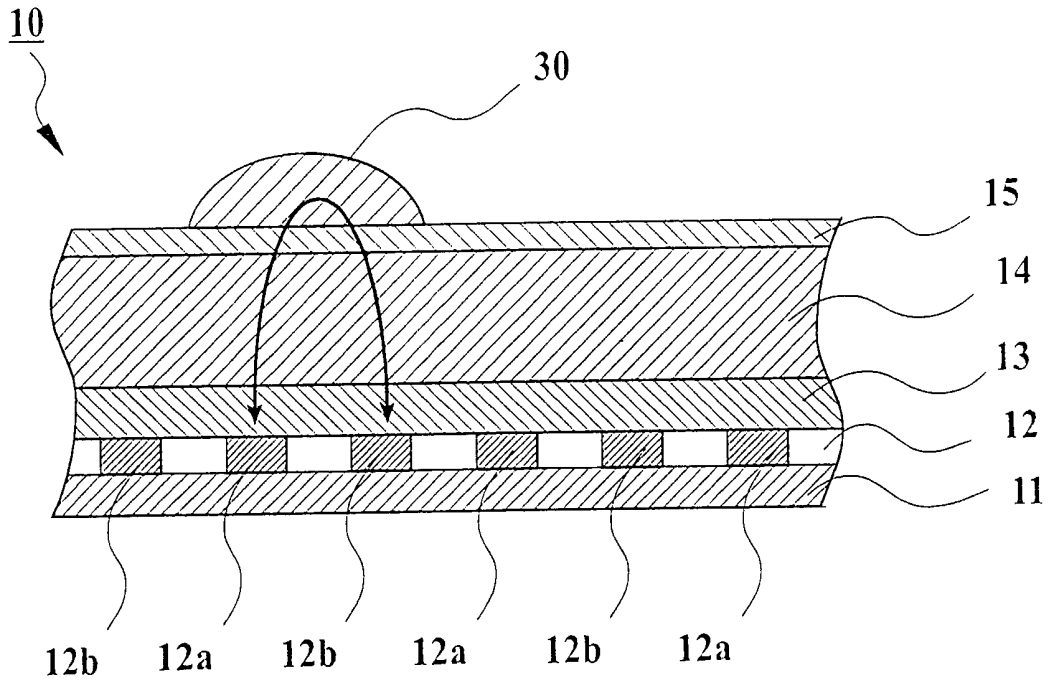
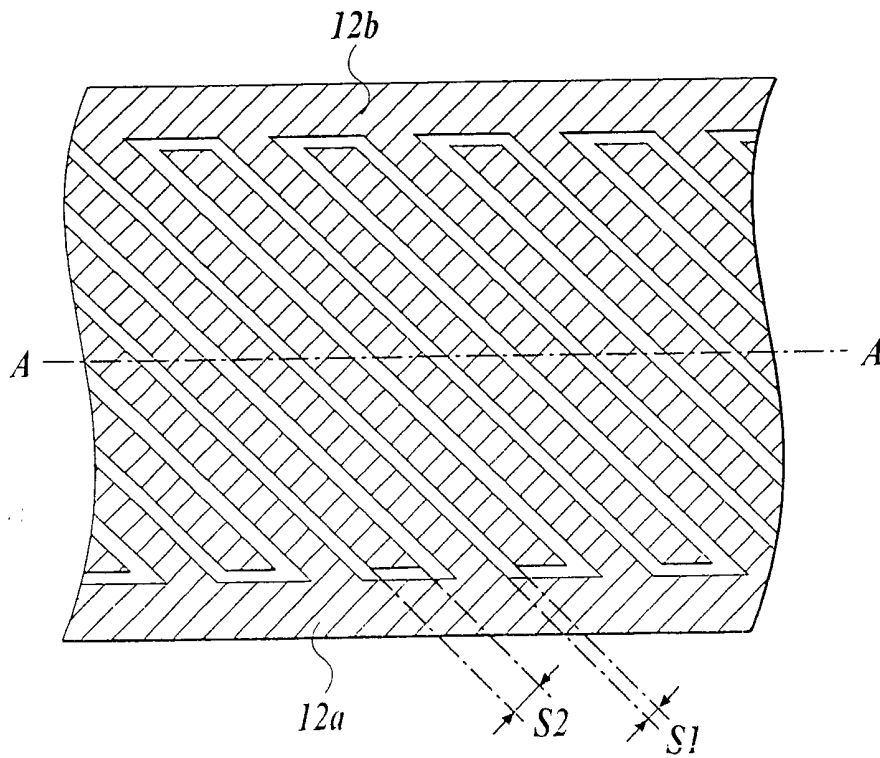


FIG. 2



2/8
FIG. 3

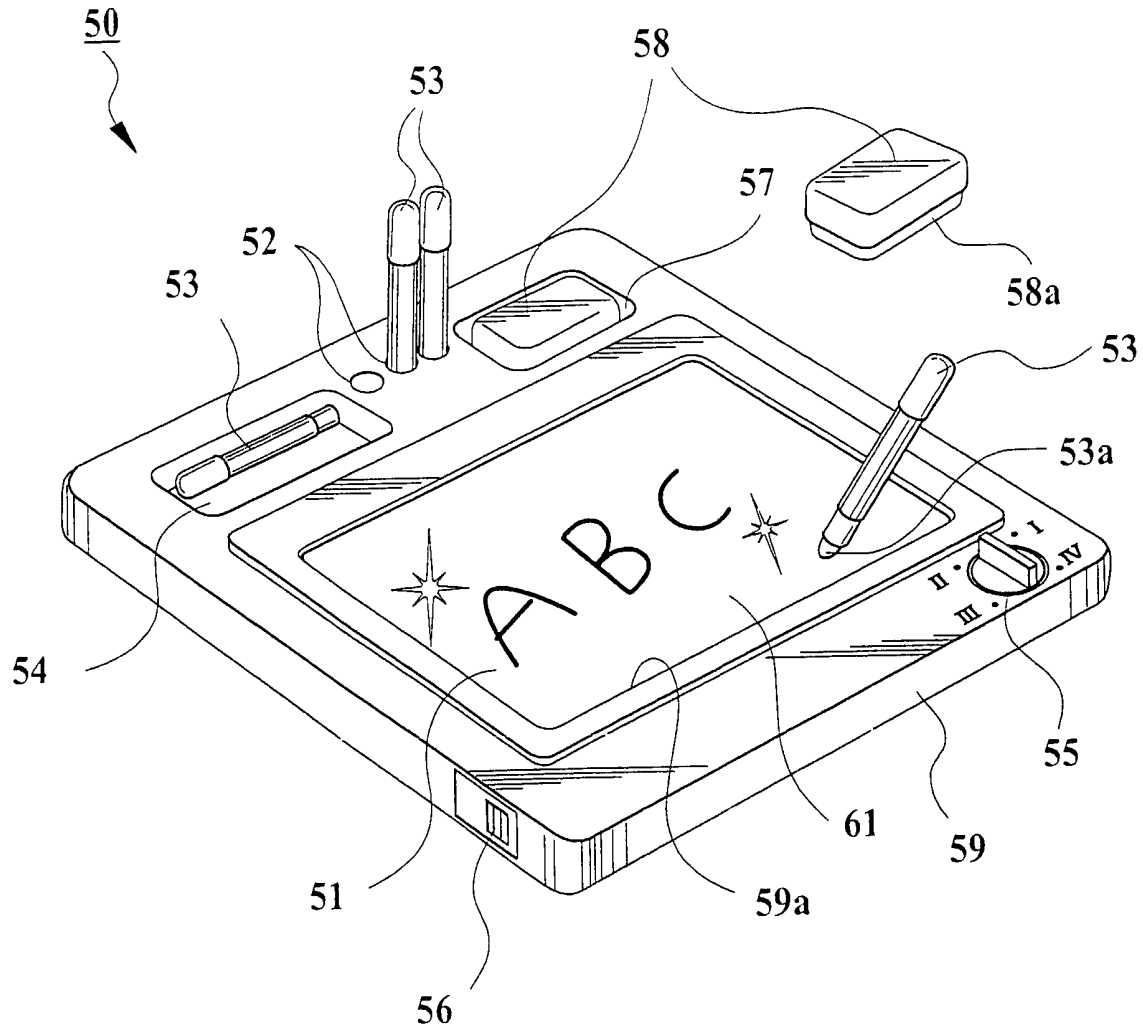
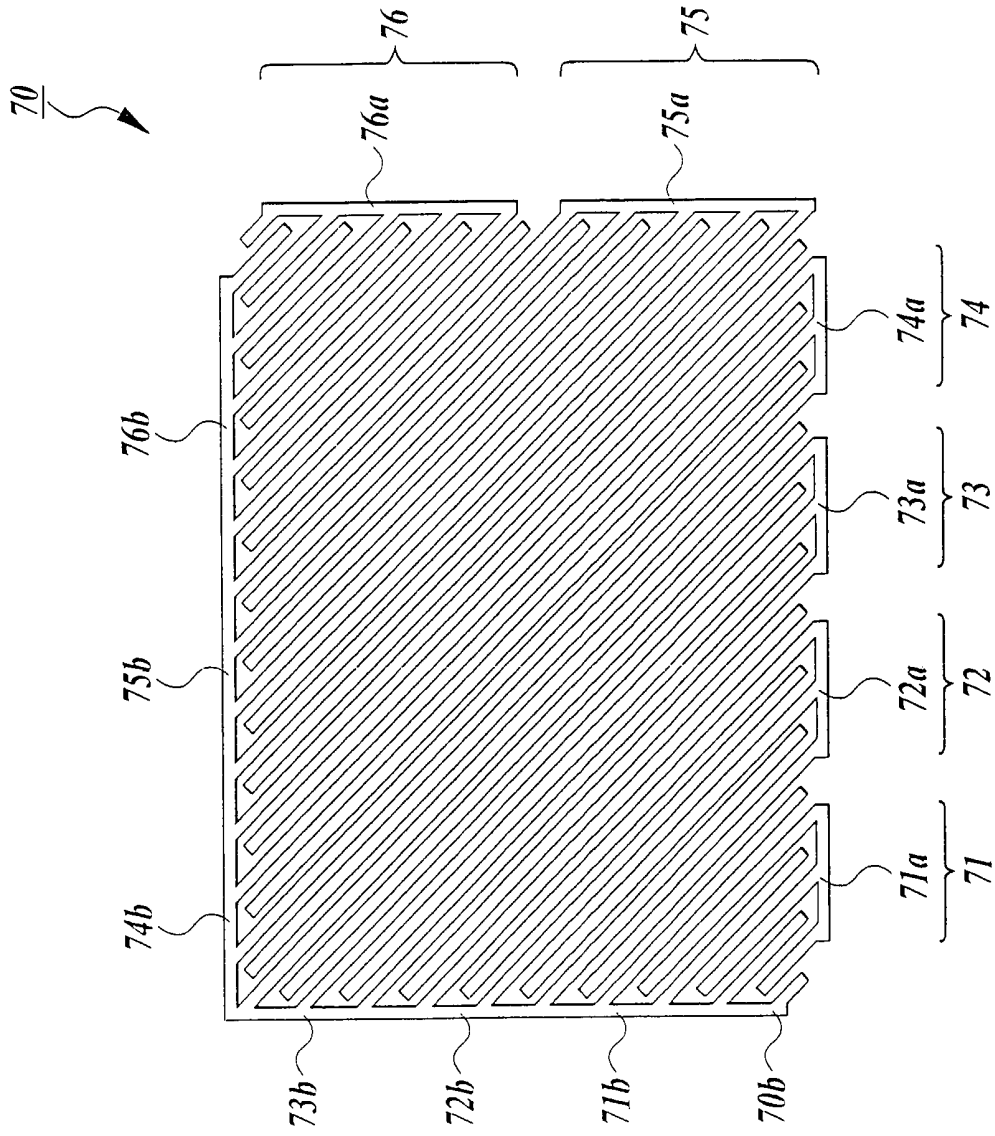
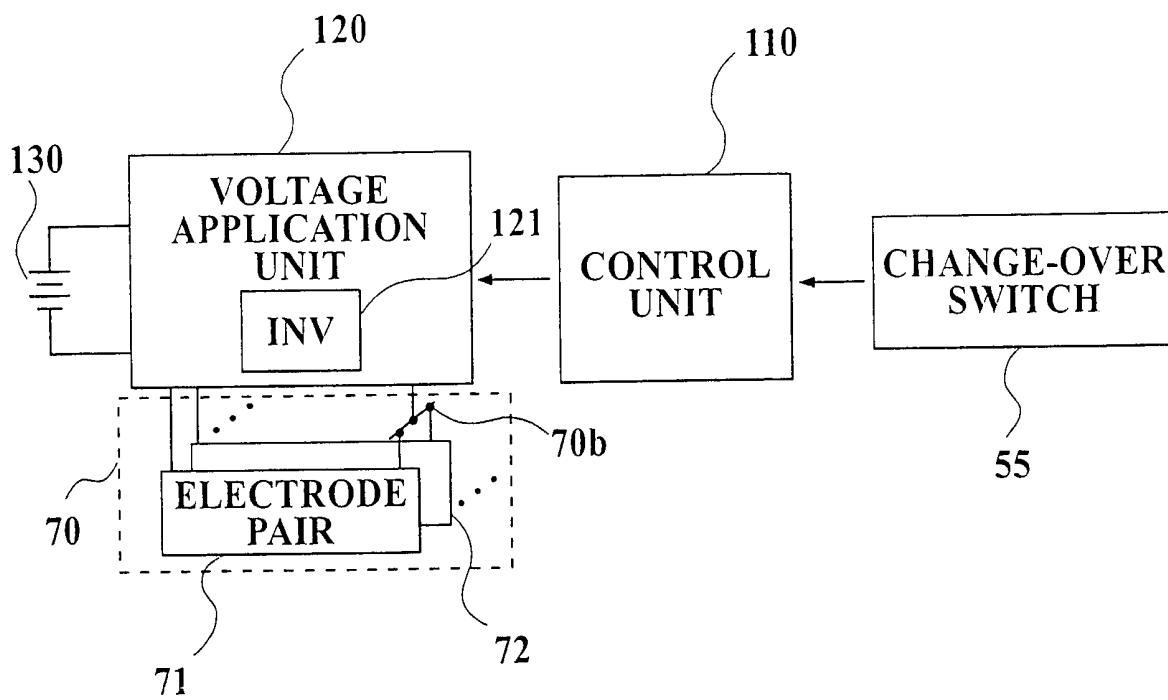


FIG. 4



4/8
FIG. 5



5/8
FIG. 6

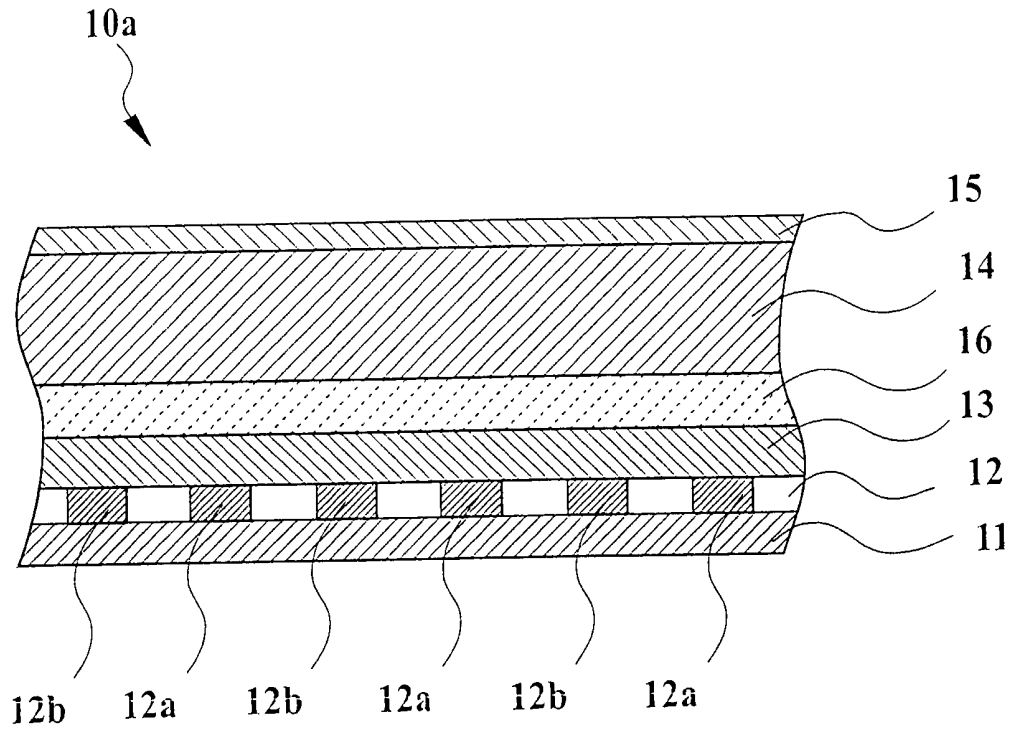


FIG. 7B

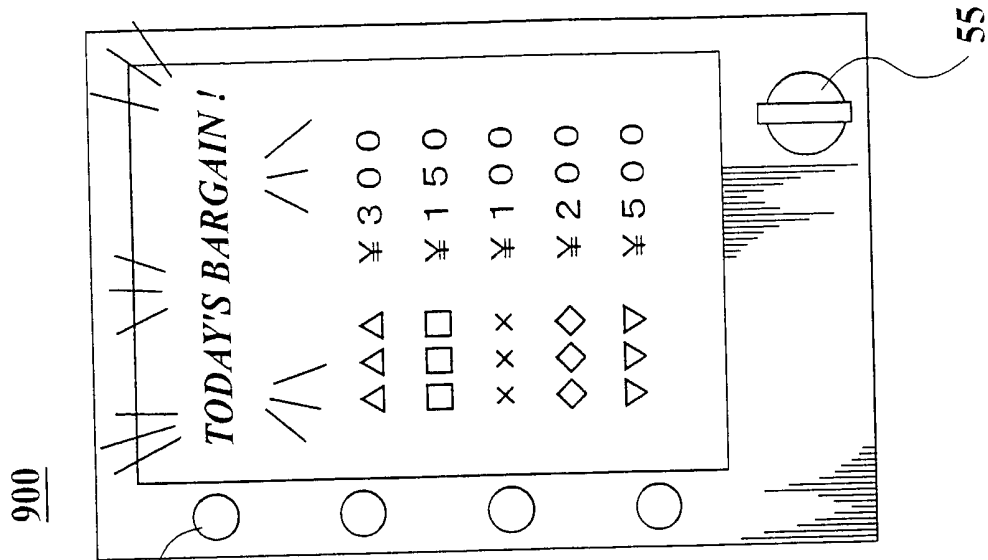
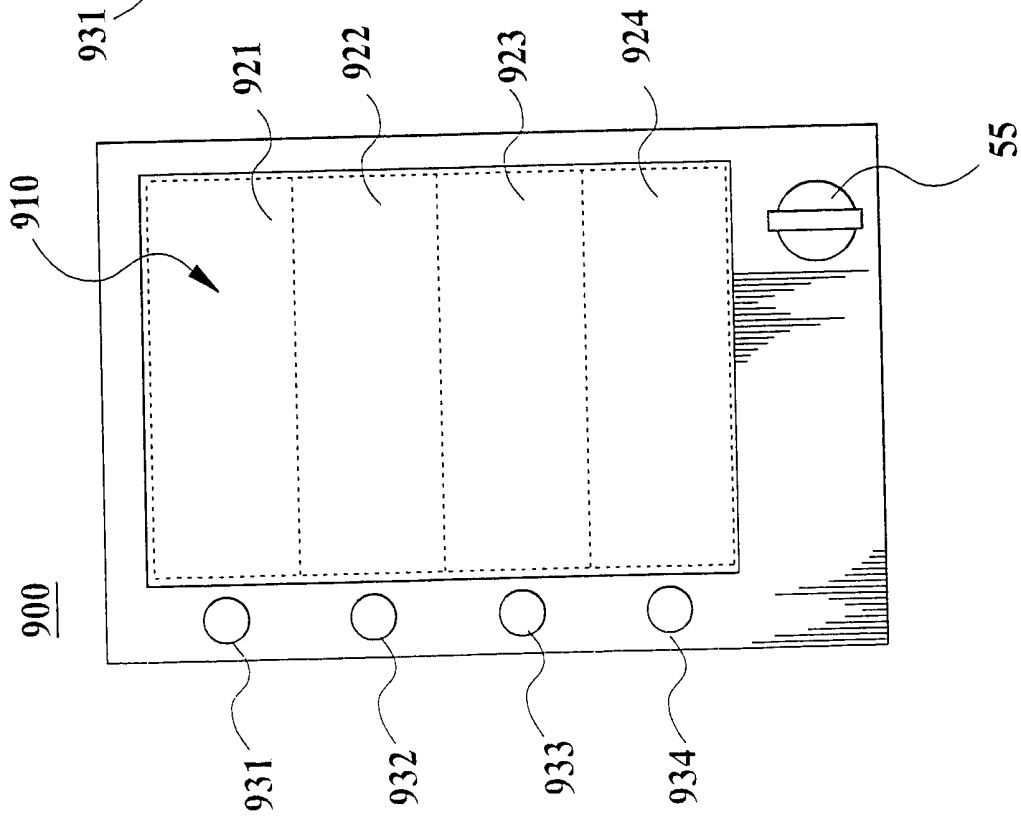
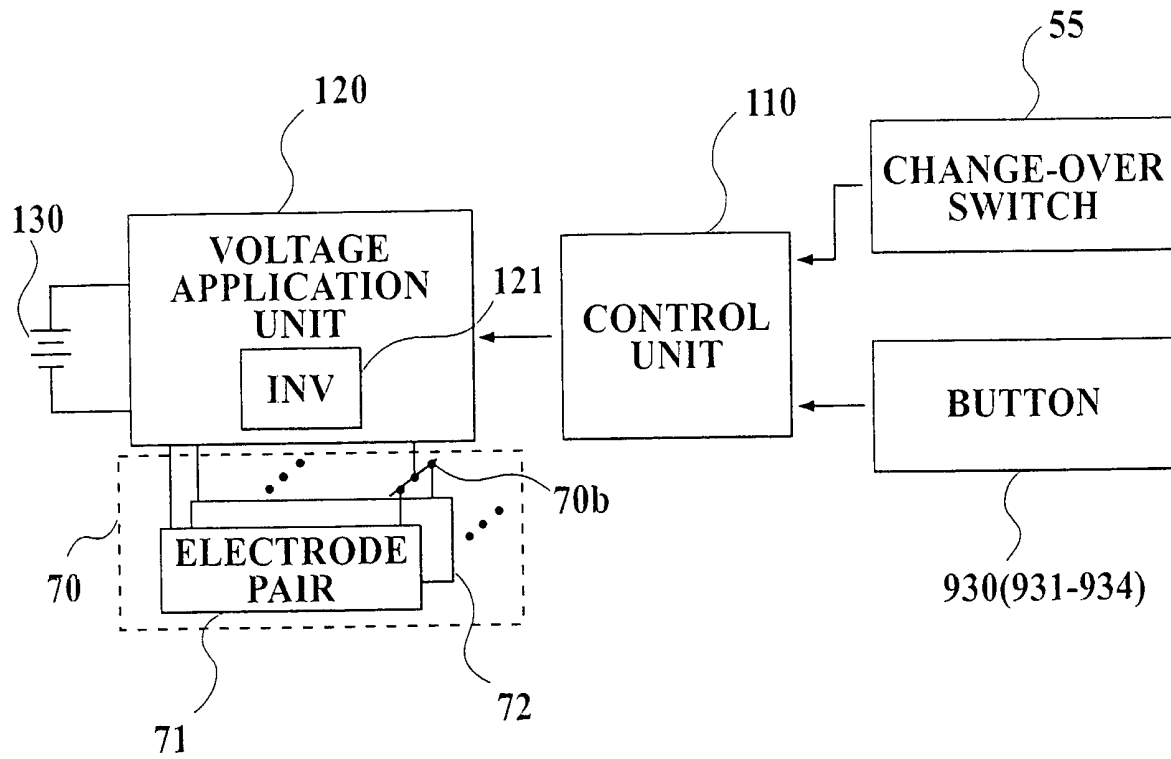


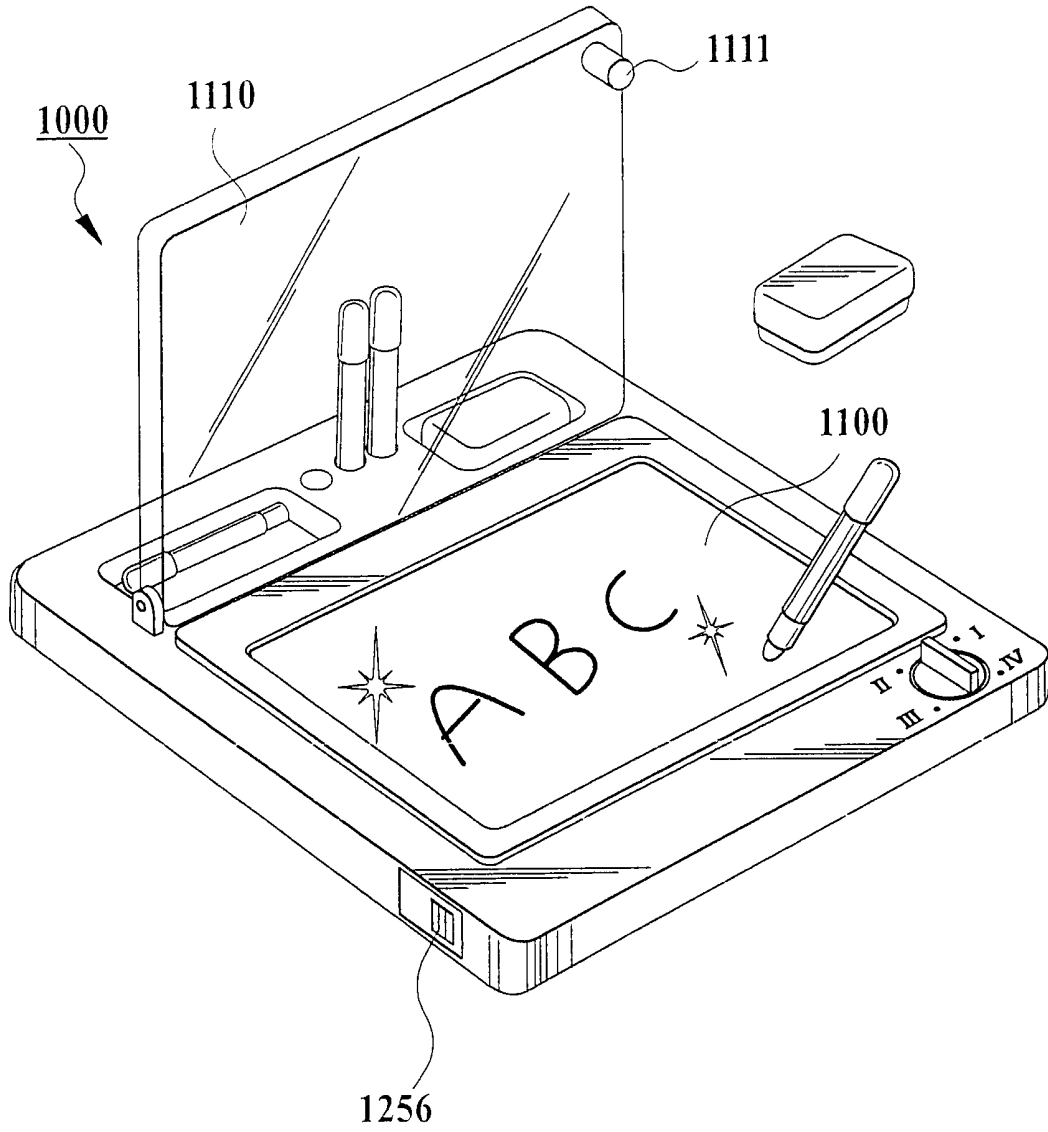
FIG. 7A



7/8
FIG. 8



8/8
FIG. 9



ELECTROLUMINESCENCE LIGHT EMITTING DISPLAY SYSTEM AND
ELECTROLUMINESCENCE LIGHT EMITTING SHEET

BACKGROUND OF THE INVENTION

Field of the Invention

The present invention relates to an electroluminescence light emitting system and an electroluminescence light emitting sheet.

Description of the Related Art

An electroluminescence, hereinafter, which may be referred to EL simply, material is known as one of light emitting materials. Various types of EL light emitting sheets have been developed and put to practical use. The EL light emitting sheet is generally formed by laminating a first electrode, a light-emitting layer, an insulating layer, i.e., a light reflecting layer, a second electrode and a protective layer, i.e., a top coat layer on a base film in order. Generally, by applying an alternating voltage (AC voltage) between the first electrode and the second electrode, a fluorescent material, i.e., EL light emitting elements, in the light-emitting layer emits light.

As another type of EL light emitting sheet, one having peculiar operation and effects is known (see, for

example, Patent Document 1: Japanese Patent Laid-Open Publication No. Hei 8-153582). The EL light emitting sheet is formed by laminating an electrode section, an insulating layer and a light-emitting layer in order. The electrode section includes a plurality of electrode pairs each of which have first and second electrodes, which are formed like a comb. Then, an electrically conductive material in arbitrary shape is formed on the light-emitting layer as a film and the film is dried to be formed as a display electrode. Thereby, the parts in the light-emitting layer on which the display electrode is formed as a film emit light. In the EL light emitting sheet, a display electrode having a shape corresponding to the taste of a user can be formed, and then a desired light emission shape can be obtained.

However, there is a large possibility that a sufficient light emission cannot be realized with the above-described EL light emitting sheet in the light-emitting layer when the electrically conductive material with a thin line or a dot-shape is put on the surface of the light-emitting layer. It may cause flecks of light emission even if it emits light. Further, the EL light emitting sheet disclosed in Patent Document 1, it cannot form the display electrode easily, since the method needs to form the electrically conductive material on the light-emitting layer as a film and dry it.

SUMMARY OF THE INVENTION

The present invention has been developed in view of the above-described circumstances.

An object of the invention is mainly to provide an EL light emitting display system and an EL light emitting sheet, with high probability of AC electric field formation.

In accordance with a first aspect of the present invention, the electroluminescence light emitting display system comprises:

an electroluminescence light emitting sheet which comprises: a light-emitting layer containing electroluminescence light-emitting elements therein, and an electrode pair of first and second electrodes each of which forms a comb-like pattern and extends to a direction inclined with respect to a width direction of the electroluminescence light emitting sheet, comb-like pattern portions of the first and second electrodes engaging each other with a predetermined interval across a spacing region so as to prevent contacting each other; and

a voltage application unit for applying a predetermined voltage between the first and second

electrodes of the electrode pair,

wherein the electroluminescence light emitting display system is configured such that when the voltage application is performed by the voltage application unit and an electrically conductive material is put on an area of a front surface in the light-emitting layer, the area in the light-emitting layer emits light.

In the electroluminescence light emitting display system, the comb-like pattern portions may extend to the direction which is inclined at an angle in a range of 45 ± 22.5 degrees with respect to the width direction.

According to the system having such a structure, the comb-like pattern portions of the EL light emitting sheet extend to a direction inclined with respect to the width direction of the EL light emitting sheet, so that it can increase a probability of the AC electric field formation when the electrically conductive material forming a characters or drawings and the like is put on the surface of the light-emitting layer, and the EL light emitting display system with less flecks of light emission can be obtained.

That is, vertical and horizontal lines are frequently used in a character or a drawing and the like. The EL light emitting display system with an increased probability of the AC electric field formation and less

flecks of light emission is obtained by inclining the extending direction of the comb-like pattern portion of the EL light emitting sheet with respect to the width direction. In particular, the probability of the AC electric field formation increases significantly when the comb-like pattern portion extends at an angle in a range of 45 ± 22.5 degrees with respect to the width direction.

In the electroluminescence light emitting display system, each width of the first and second electrodes in a light emitting region of the electroluminescence light emitting sheet may be 0.2-0.5 mm, and each width of the spacing regions in the light emitting region of the electroluminescence light emitting sheet may be 0.2-0.3 mm.

When the gap between the first and second electrodes is less than 0.2 mm, there is a large possibility that a light emission (natural light) which is not negligible is created in also a region onto which no conductive material is placed. When the gap is more than 0.3 mm, particularly, in a case of placing a chart of a thin line, flecks of light emission stand up. Under conditions, that is, EL sheet size of 140 mm x 92 mm, starting voltage of 250V to 270V and current of 100mA to 130mA, luminance of emitted lights from two EL light emitting sheets which have gaps of 0.2 mm and 0.15 mm,

respectively, were compared. As a result, the luminance of emitted lights from the EL light emitting sheet having a gap of 0.2 mm was 3 ± 0.5 candela and that of 0.15 mm was 6 ± 0.5 candela which was approximately twice that of 0.2mm gap case. Therefore, it is considered that when assuming a regular use condition in an ordinary room as an industrial product, the luminance of emitted light, of 3 ± 0.5 candela which is obtained by the gap of 0.2 mm is a lower limit.

On the other hand, when the widths of the first and second electrodes themselves are less than 0.2 mm, there are problems that the luminance of emitted lights is lowered and the productivity deteriorates by bridge or disconnection, occurred in mass production. When the width sizes are more than 0.5 mm, there is a problem that in a case of putting on a dot-shaped chart for light emission by using a pen for drawing a thin line, probability of AC electric field formation with another electrode is lowered because of placed thin chart being within the width of one electrode. When the width sizes are not more than 0.5 mm, the probability of AC electric field formation with another electrode is increased because the probability of the placed dot-shaped chart being out of the one electrode is much larger than that of the chart being placed at the center of the one electrode.

According to the system having such a structure, it is possible to obtain a predetermined luminance of emitted lights and emit light reliably compared to the conventional methods even if the electrically conductive material with a thin line or a dot-shape is put on the light-emitting layer. Moreover, it can realize the EL light emitting display system with no flecks of light emission.

In the electroluminescence light emitting display system, the electrode pair may be formed by depositing a metal such as copper, aluminum or the like on a base layer to form a metal layer and etching the deposited metal layer.

According to the system having such a structure, the thickness of the first and second electrodes can be small because of being formed by a deposited metal layer. In a case of the electrode pair by a deposition of aluminum, even if a user, for example, scratches the EL light emitting sheet with a cutter or strikes a nail, only a part of the aluminum layer contacting with the cutter or the nail is melted almost simultaneously with the shortage. Consequently, the worst case where the whole of the electrode layer is shorted is not generated, and the user does not receive electric shock.

In the electroluminescence light emitting display system, the surface of the light-emitting sheet may allow to put the electrically conductive material thereon removably.

According to the system having such a structure, the user can enjoy wide variations of light emissions since the electrically conductive material is removable.

In the electroluminescence light emitting display system, the electroluminescence light emitting display system may comprise a plurality of the electrode pairs.

According to the system having such a structure, it is possible to realize various light emissions with different light emitting system and/or light emitting range by controlling a voltage application to each electrode pair since the electroluminescence light emitting display system comprises a plurality of electrode pairs.

In accordance with a second aspect of the present invention, the electroluminescence light emitting sheet which comprises:

a light-emitting layer containing electroluminescence light-emitting elements therein; and an electrode pair of first and second electrodes, wherein each of which forms a comb-like pattern and

extends to a direction inclined with respect to a width direction of the electroluminescence light emitting sheet, comb-like pattern portions of the first and second electrodes engaging each other with a predetermined interval across a spacing region so as to prevent contacting each other.

In the electroluminescence light emitting sheet, the comb-like pattern portion may extend to the direction which is inclined at an angle in a range of 45 ± 22.5 degrees with respect to the width direction.

The reasons for inclining the extending direction of the comb-like pattern portions in the predetermined angle range with respect to the width direction of the electroluminescence light emitting sheet is described above.

According to the electroluminescence light emitting sheet having such a structure, it can realize an EL light emitting display system with less flecks of light emission and an increased probability of AC electric field formation when an electrically conductive material forming a character or drawing and the like is put on the surface of the light-emitting layer. In particular, the probability of AC electric field formation may increase significantly when the comb-like pattern portions extend to the direction which is inclined at an angle in a range of 45 ± 22.5 degrees with respect to the width direction of

the electroluminescence light emitting sheet.

In the electroluminescence light emitting sheet, each width of the first and second electrodes in a light emitting region of the electroluminescence light emitting sheet may be 0.2-0.5 mm, and each width of the spacing regions in the light emitting region of the electroluminescence light emitting sheet may be 0.2-0.3 mm.

The reasons to determine the each width of the first and second electrodes in the EL light emitting sheet as 0.2-0.5 mm, and the each width of the spacing regions as 0.2-0.3 mm are described above.

According to the electroluminescence light emitting sheet having such a structure, it is possible to obtain a predetermined luminance of emitted lights and emit light reliably compared to the conventional methods even if the electrically conductive material with a thin line or a dot-shape is put on the light-emitting layer. Moreover, it can restrain occurrence of flecks of light emission.

In the electroluminescence light emitting sheet, the electrode pair may be formed by depositing a metal such as copper, aluminum or the like on a base layer to form a metal layer and etching the deposited metal layer.

According to the electroluminescence light emitting

sheet having such a structure, the thickness of the first and second electrodes can be small because of being formed by a deposited metal layer. In a case of the electrode pair by a deposition of aluminum, even if a user, for example, scratches the EL light emitting sheet with a cutter or strikes a nail, only a part of the aluminum layer contacting with the cutter or the nail is melted almost simultaneously with the shortage. Consequently, the worst case where the whole of the electrode layer is shorted is not generated, and the user does not receive electric shock.

In the electroluminescence light emitting sheet, the electroluminescence light emitting sheet may comprise a plurality of electrode pairs.

According to the sheet having such a structure, it is possible to realize various light emissions with different light emitting system and/or light emitting range by controlling a voltage application to each electrode pair since the electroluminescence light emitting sheet comprises a plurality of the electrode pairs.

BRIEF DESCRIPTION OF THE DRAWINGS

The present invention will become more fully understood from the detailed description given hereinafter and the accompanying drawings which are given by way of illustration only, and thus are not intended as a definition of the limits of the present invention, and wherein;

FIG. 1 is a partially enlarged sectional view of a principal part of an EL light emitting sheet;

FIG. 2 is a schematic plan view showing a part of an electrode layer;

FIG. 3 is a perspective view of the external appearance of a drawing board;

FIG. 4 is a plan view showing the external shape of the electrode pattern of the EL light emitting sheet built in the drawing board;

FIG. 5 is a functional block diagram of the drawing board;

FIG. 6 is a partially enlarged sectional view of a principal part according to variation 1 of the EL light emitting sheet;

FIGS. 7A and 7B are plan views of a signboard according to variation 1 of the EL light emitting display system;

FIG. 8 is a control block diagram for the signboard according to variation 1 of the EL light emitting display system; and

FIG. 9 is a perspective view of a drawing board

according to variation 2 of the EL light emitting display system.

DETAILED DESCRIPTION OF THE PREFERRED EMBODIMENT

Hereinafter, the preferred embodiments of the present invention will be described in detail by reference to the attached drawings.

A. EL Light Emitting Sheet

1. Whole Configuration

FIG. 1 is an enlarged sectional view of a principal part of an EL light emitting sheet 10 to which the present invention is applied. In FIG. 1, the EL light emitting sheet 10 is formed by laminating a base layer 11, an electrode layer (electrode section) 12, a waterproof layer 13, an EL light-emitting layer 14 and a top coat layer 15 in order.

2. Detailed Configuration

(1) Base Layer 11

The base layer 11 is made of an insulating material such as polyethylene terephthalate (PET) or the like. The base layer 11 may be configured as a base film (substrate sheet). In this case, the base film is made of a transparent or opaque resin. As the resin in this case, for example, PET is used. Incidentally, the base

layer 11 may be made of glass.

(2) Electrode Layer 12

The electrode layer 12 having a predetermined electrode pattern is formed by depositing a metal such as copper, aluminum or the like on the base layer 11, and by performing etching or the like to the deposited metal layer. Alternatively, the electrode layer 12 is formed by depositing, for example, a pasty silver paste including silver powder, a pasty copper paste including copper powder, another electrically conductive paste such as carbon, or the like on the base layer 11 in a predetermined pattern by the screen printing, and thereafter by performing the heat drying processing of the paste.

FIG. 2 is a schematic plan view showing a part of the electrode layer 12. The electrode layer 12 of FIG. 1 shows the cross section of the electrode layer 12, taken along the A-A' line of FIG. 2. As shown in FIG. 2, an electrode 12a and an electrode 12b are formed to have a comb-like pattern severally, and they are formed to be engaged with each other with a predetermined interval between their teeth with putting a spacing region between each tooth so that each tooth does not touch each other. Since each electrode 12a is electrically connected with one another, each of them has the same electric potential. Since each electrode 12b is also electrically connected with one another similarly, each of them has the same

electric potential.

Incidentally, it is preferable to form the first electrode 12a and the second electrode 12b so that the spacing regions may substantially be the same per a unit area in the light emitting region.

When the EL light emitting sheet is used for drawing a light emitting chart such as a character or a drawing and the like, it is preferable to dispose the EL light emitting sheet 10 with the extending direction inclined with respect to a width direction of the electroluminescence light emitting sheet. That is, vertical and horizontal lines are frequently used in a character or a drawing and the like. Thus, if the extending direction of the comb-like pattern portions extends in the width or longitudinal direction of the electroluminescence light-emitting sheet, the probability of AC electric field formation will be lowered. In this case, it is preferable to incline the extending direction of the comb-like pattern portions at an angle in a range of 45 ± 22.5 degrees with respect to the width direction of the electroluminescence light emitting sheet.

The gap S1 of, for example, about 0.1-2.0 mm, between the first electrode 12a and the second electrode 12b which are next to each other is enough, and the width S2 of the first electrode 12a and the second electrode 12b themselves, for example, of about 0.1-5.0 mm, is

enough, in a case of considering light emission only.

However, in a case of putting on (placing, adhering, applying or the like) a conductive chart for light emission, of a thin line which is approximately parallel to the extending direction of comb-shaped pattern electrode, or in a case of putting on a dot-shaped conductive chart for light emission, the gap S1 of about 0.2-0.3 mm, between the first electrode 12a and the second electrode 12b which are next to each other is preferable, and the width sizes S2 of the first electrode 12a and the second electrode 12b themselves, of about 0.2-0.5 mm, are preferable.

The reason for the above-described definition of the gap S1 or the width size S2 is as follows.

When the gap S1 between the first electrode 12a and the second electrode 12b is less than 0.2 mm, there is a large possibility that a light emission (natural light) which is not negligible is created in also a region onto which no conductive material 30 is placed. When the gap S1 is more than 0.3 mm, particularly, in a case of placing a chart of a thin line, flecks of light emission stand up. On the other hand, when the width sizes S2 of the first electrode 12a and the second electrode 12b themselves are less than 0.2 mm, there are problems that the luminance of emitted lights is lowered and the productivity deteriorates by bridge or disconnection, occurred in mass production. When the width sizes S2 are

more than 0.5 mm, there is a problem that in a case of putting on a dot-shaped chart for light emission by using a pen for drawing a thin line, probability of AC electric field formation with another electrode is lowered because of placed thin chart being within the width of one electrode. When the width sizes S2 are not more than 0.5 mm, the probability of AC electric field formation with another electrode is increased because the probability of the placed dot-shaped chart being out of the one electrode is much larger than that of the chart being placed at the center of the one electrode.

Thus, it is possible to increase the probability of AC electric field formation, to restrain occurrence of flecks of light emission for a chart such as a character, and to form a beautiful light emitting chart.

(3) Waterproof Layer 13

The waterproof layer 13 is a layer for protecting the electrode layer 12 and is made of a resin. As the resin, the following resins can be used. That is, they are, for example, a fluorocarbon resin such as a 4-fluorinated ethylene resin, fluororubber and the like; a silicon resin such as silicon rubber and the like; the other epoxy resins; an acrylic resin; a urethane resin; a polyester resin; and a resin having a high sealing property such as an ethylene-vinyl acetate copolymer and the like. These resins are cured by a method such as ultraviolet (UV) curing, infrared (IR) curing, two-liquid

curing, heat curing and the like.

(4) EL Light-Emitting Layer 14

The EL light-emitting layer 14 is made of organic or inorganic EL light-emitting elements sealed with a sealing resin. The EL light-emitting elements are fixed with being dispersed in a transparent resin binder.

As the resin binder, a resin having a high dielectric constant such as a polyester resin or the like is suitably selected. The EL light-emitting layer 14 has a thickness of about 30-40 μm , a withstanding voltage of about 50-150 V, and a dielectric constant of about 10-30. The thickness of the EL light-emitting layer 14 is preferably one and a half times as large as the diameter of an EL light emitting element or more. With such a thickness, the surfaces of the EL light-emitting layer 14 is regarded as being smooth, and for example, their surface roughness is regarded as being 30 μm or less.

The EL light-emitting layer 14 configured as above emits the light of a predetermined luminescent color such as a bluish green color when an AC power supply voltage is applied between the first electrode 12a and the second electrode 12b.

(5) Top Coat Layer 15

The top coat layer 15 is stuck or fixed, closely to the EL light-emitting layer 14 to protect the EL light-emitting layer 14. The top coat layer 15 is laminated on the EL light-emitting layer 14 also for improving the

smoothness of the EL light-emitting layer 14 and the removability of an electrically conductive material 30. If the EL light-emitting layer 14 itself can secure necessary smoothness and removability, it is needless to provide the top coat layer 15 specially.

As the top coat layer 15, the following resins can be used. That is, they are, for example, a fluorocarbon resin such as a 4-fluorinated ethylene resin, fluororubber and the like; a silicon resin such as silicon rubber and the like; a polyester resin; a urethane resin and the like. Since the main object of providing the top coat layer 15 is, as described above, to smooth the surface of the EL light-emitting layer 14 and to improve the removability, the thickness of the top coat layer 15 is enough to be a degree which makes it possible to attain the object. On the other hand, it is suitable that the top coat layer 15 is as thin as possible. The reason for this is that the more the thickness is, the more the luminous intensity of the EL light-emitting sheet 10 decreases. The thickness is practically preferable to be about 1-2 μm as the effective value. Hereupon, the "effective value" means the size of the thickness of the top coat layer 15 adhering to the uppermost part of the EL light-emitting layer 14. It is sufficient for obtaining the thickness of about 1-2 μm as the effective value to make the coating value of the thickness about 5-8 μm . Hereupon,

the "coating value" means the thickness of the protection layer 15 when the coating is performed on a surface having no irregularities.

The top coat layer 15 may be formed by gluing a film-like or sheet-like member fixedly onto the EL light-emitting layer 14, or by adhering a flexible material member thereto.

(6) Electrically Conductive Material 30

As the electrically conductive material 30, the following known materials can be used. That is, they are: a stick type painting material such as an ink, a pencil, a crayon, a pastel and the like; a sheet material having electrical conductivity (hereinafter referred to as a conductor sheet) and the like. As the stick type painting material such as the ink, the pencil, the crayon, the pastel and the like, ones including an organic or an inorganic coloring pigment may be used.

As the ink, one having the following properties is preferable. The properties are, for example, to have a surface resistance value equal to or less than $10^6 \Omega/\square$ in the state of being coated, to have optical transparency, and to include at least one kind of powder of the electrically conductive materials such as indium oxide, tin oxide, antimony, zinc oxide and the like. Further, as the ink, an electrically conductive polymer such as polyethylene dioxi thiophene and the like or a mixture of the electrically conductive polymer with the powder of

the electrically conductive material may be used. In this case, it is possible to make the ink emit light for a long period until the removal of the ink by wiping or the like. Moreover, the electrically conductive material 30 may be composed of water or a solvent, which has a high dielectric constant. In this case, the electrically conductive material 30 can easily be removed by drying it with a dryer, or by wiping it with a tissue, a piece of gauze, a sponge and the like.

3. Operation

The electrically conductive material 30 is attached on the top coat layer 15 in a desired pattern. The attachment of the electrically conductive material 30 is performed by drawing with a brush (a pencil, a pastel or a crayon), by performing printing with an ink jet printer or screen printing, or by sticking an electrically conductive sheet. In the state, an AC power supply voltage is applied between the first electrode 12a and the second electrode 12b. Incidentally, the electrically conductive material 30 may be attached after the AC power supply voltage has previously been applied.

Then, by the attachment of the electrically conductive material 30, the AC electric field is formed in the EL light-emitting layer 14, and only the part just under the attached electrically conductive material 30 emits light locally. That is, since the EL light-emitting layer 14 has a high dielectric constant, a

circuit composed of the first electrode 12a, the EL light-emitting layer 14, the electrically conductive material 30, the EL light-emitting layer 14, the second electrode 12b and the like is formed to form an AC electric field in the EL light-emitting layer 14. Then, the part just under the attachment part of the electrically conductive material 30 emits light. On the other hand, the intensity of the AC electric field at the places just under the parts where the electrically conductive material 30 is not attached is insufficient for the EL light-emitting layer 14 to emit light, and consequently the parts do not emit light. The size of the thickness and the dielectric constant of the EL light-emitting layer 14 or the like are set in order so that the part just under the electrically conductive material 30 may emit light selectively.

When the electrically conductive material 30 is liquid, there is a case where the electrically conductive material 30 permeates the EL light-emitting layer 14 to reach the waterproof layer 13 through a scratch, a pinhole or the like. However, the waterproof layer 13 prevents the further permeation of the electrically conductive material 30. Moreover, the waterproof layer 13 also prevents the permeation of moisture or humidity in the air.

4. Advantageous Effects

According to the present embodiment, an AC electric

field is formed at a part of the EL light-emitting layer 14 just under the attached electrically conductive material 30, and only the part locally emits light. This thing indicates that, if the electrically conductive material 30 is attached to the top coat layer 15 in the same pattern as a desired pattern, a desired light emitting pattern can be obtained. Consequently, an EL light emitting sheet 10 with which a user can easily produce a desired light emitting pattern can be provided.

The electrode layer 12 of the EL light emitting sheet 10 is, as described above, formed by the deposition of a metal. If it is intended to form the electrode layer 12 by, for example, deposition of aluminum, the thickness of the electrode layer 12 is about 300-1,000 Å (10^{-10} m), preferably about 400-800 Å (10^{-10} m). Since the electrode layer 12 is very thin layer and formed by the deposition of aluminum, if a user, for example, scratches the EL light emitting sheet with a cutter or strikes a nail, only a part of the electrode layer 12 contacting with the cutter or the nail is melted almost simultaneously with the shortage. Consequently, the worst case where the whole of the electrode layer 12 is shorted is not generated, and the user does not receive electric shock.

Further, it is possible to change the luminescent color of the EL light emitting sheet 10 by forming the EL

light-emitting layer 14 by sealing the EL light-emitting elements with a coloring pigment mixed therein, by disposing a color filter between the EL light-emitting layer 14 and the top coat layer 15, by coloring the top coat layer 15, or by mixing a coloring pigment with the electrically conductive material 30.

B. EL Light Emitting Display System

FIG. 3 is a perspective view showing the external appearance of a drawing board 50 as an example of an EL light emitting display system incorporating the above-mentioned EL light emitting sheet therein.

1. Whole Configuration

In the drawing board 50, a main body 59 shaped to be a board having a predetermined thickness holds the EL light emitting sheet 51 which is provided in the inside of the main body. The EL light emitting sheet 51 having the top coat layer 15 on the top surface thereof is exposed from an opening 59a. The drawing board 50 is configured to be provided with a highlight pen 53 having a pen point 53a made of an impregnating material impregnating the electrically conductive material 30 using electrically conductive ink including a fluorescent material, holders 52 for holding the highlight pens 53 in the state of standing up, a tray 54 having a shape of a recess capable of holding the highlight pens 53 in the state of lying on their sides in the inside of the tray

54, a removal member 58 carrying a sponge 58a, which is superior in water absorbing property, for removing the electrically conductive member 30, a tray 57 for holding the removal member 58 in a state capable of being taken out, a change-over switch 55 for switching light-emitting modes, and a power supply switch 56.

2. How to Use

A user takes a pen 53 from the tray 54, and draws an arbitrary light emitting chart by applying the electrically conductive material 30 on a drawing screen 61, namely the top surface part of the top coat layer 15 exposed from the opening 59a. In FIG. 3, a word "ABC" is drawn. Then, when the power supply switch 56 is turned on, a closed circuit is formed with the electrically conductive material 30, the electrodes 12a, 12b, and the like. Consequently, the EL light-emitting layer 14 emits light, and the emitted light is transmitted through the electrically conductive material 30 to be radiated. That is, since the parts in the EL light-emitting layer 14 which is just under the drawing drawn by using the pen 53 emits light, the drawing acts as if the characters "A", "B" and "C" themselves were emitting light.

3. Detailed Configuration

(1) Electrode Pattern

Next, an electrode pattern of the EL light emitting sheet 51 built in the drawing board 50 will be described. FIG. 4 is a plan view showing the outline of the

electrode pattern 70 of the EL light emitting sheet 51 built in the drawing board 50. The electrode pattern 70 means the shape of the electrode layer 12 formed on the base layer 11. In the figure, an electrode 71a and an electrode 71b constitute an electrode pair 71, and the electrode 71a and 71b have substantially the same figures as the comb-like patterns of the electrodes 12a and 12b. The electrode pattern 70 includes six electrode pairs 71-76 having substantially the same configuration as the electrode pair 71 severally. The electrode pairs 71-76 are aligned. The upper end parts of the electrodes 71b-76b of respective electrode pairs 71-76 in the figure are connected with one another to form an electrode line (earth line) 70b, which is connected to the ground. On the other hand, the electrodes 71a-76a are not connected with one another.

Then, when a predetermined voltage (AC voltage) is applied to each of the electrodes 71a-76a, each of the electrode pairs 71-76 takes the state capable of forming a closed circuit. To put it more concretely, if the electrically conductive material 30 is coated on the drawing screen 61 when the voltage is applied to all of the electrodes 71a-76a, a closed circuit is formed between the electrically conductive material 30 and an electrode pair at any place on the drawing screen 61 through the EL light-emitting layer 14 and the like. However, if the voltage is applied to only a part of the

electrodes 71a-76a, only the part of the electrode pair corresponding to the electrode to which the voltage is applied can form a closed circuit (the state is referred to as a "closed circuit formation possible state", and a state other than the above-mentioned state is referred to as a "closed circuit formation impossible state" in the present specification).

When the EL light emitting sheet 51 is used for drawing a light emitting chart such as a character or a drawing and the like, it is preferable for the above-described reason to dispose the EL light emitting sheet 51 with the extending direction of the comb-like pattern portions inclined with respect to the width direction of the EL light emitting sheet. Further, it is preferable to incline the extending direction of the comb-like pattern portions at an angle in a range of 45 ± 22.5 degrees with respect to the width direction of the EL light emitting sheet.

The gap S1 of, for example, about 0.1-2.0 mm, between the first and second electrodes which are next to each other is enough, and the widths S2 of the first electrode second electrodes themselves, for example, of about 0.1-5.0 mm, are enough, in a case of considering light emission only.

However, in a case of putting on (placing, adhering, applying or the like) a conductive chart for light emission, of a thin line which is approximately parallel

to the extending direction of comb-shaped pattern electrode, or in a case of putting on a dot-shaped conductive chart for light emission, the gap S1 of about 0.2-0.3 mm between the first and second electrode, which are next to each other, is preferable, and the widths S2 of the first and second electrodes themselves, of about 0.2-0.5 mm, are preferable from the same reason described above.

(2) Internal Circuits

FIG. 5 is a functional block diagram of the drawing board 50. In the figure, the drawing board 50 is provided with a control unit 110 composed of a central processing unit (CPU), a random access memory (RAM), a read only memory (ROM) and the like, a battery 130 composed of dry cells, and a voltage application unit 120. The voltage application unit 120 includes an inverter circuit 121 for converting a direct-current (DC) voltage supplied from the battery 130 to an AC voltage, and a booster circuit (not shown). The voltage application unit 120 applies an effective AC voltage of about 100-300 V between the earth line 70b of the electrode pattern 70 and each of the electrode pair 71-76 according to a control signal input from the control unit 110.

The control unit 110 stores programs instructing the procedures of applying the voltage to the electrode pattern 70 into the ROM at every light emitting mode. The control unit 110 reads a corresponding program

according to a mode selection signal which is input from the change-over switch 55, and outputs a control signal to the voltage application unit 120.

Then, various light emitting modes can be realized by controlling the voltage application to the electrode pairs 71-76. In the drawing board 50, an entirely light-emitting mode (mode I), an entirely blinking mode (mode II), a sequentially light-emitting mode (mode III) and a wavy light-emitting mode (mode IV) are executed by the switching of the change-over switch 55.

(3) Light-Emitting Modes

(a) Entirely Light-Emitting Mode

The entirely light-emitting mode is a mode in which a voltage is applied to all of the electrode pair 71-76 simultaneously and continuously. In other words, the mode is one in which all of the electrode pairs 71-76 are in the closed circuit formation possible state. If the electrically conductive material 30 is coated on all over the drawing screen 61, the whole surface of the drawing screen 61 continuously emits light.

(b) Entirely Blinking Mode

The entirely blinking mode is a mode in which a voltage is applied to all of the electrode pairs 71-76 simultaneously and intermittently. In other words, the mode is one in which all of the electrode pairs 71-76 simultaneously take the closed circuit formation possible state or the closed circuit formation impossible state

alternately at predetermined time intervals. If the electrically conductive material 30 is coated on all over the drawing screen 61, the whole surface of the drawing screen 61 intermittently emits light.

(c) Sequentially Light-Emitting Mode

The sequentially light-emitting mode is a mode in which a voltage is accumulatively applied to the electrode pairs 71-76 in the order of their arrangement. In other words, the mode is one in which the electrode pairs 71-76 which have been in the closed circuit formation impossible state sequentially become the closed circuit formation possible state at predetermined time intervals. If the electrically conductive material 30 is coated on all over the drawing screen 61, an area part corresponding to each of the six electrode pairs sequentially emits light, and the area emitting light gradually increases. Incidentally, after all of the electrode pairs have become the closed circuit formation possible state, the application of the voltage to all of the electrode pairs 71-76 is stopped after a predetermined time to make all of the electrode pairs 71-76 be in the closed circuit formation impossible state. Thereby, the electrode pairs 71-76 return to the initial state, and the execution of the sequential light-emitting is repeated.

(d) Wavy Light-Emitting Mode

The wavy light-emitting mode is a mode in which a

voltage is intermittently applied to the electrode pairs 71-76 in the order of their arrangement. In other words, the mode is one in which each of the electrode pairs 71-76 repeatedly transits the closed circuit formation possible state and the closed circuit formation impossible state with a predetermined time lag. If the electrically conductive material 30 is coated on all over the drawing screen 61, each area part corresponding to each of the six electrode pairs in the drawing screen 61 sequentially emits light and does not emit light, and consequently the parts emitting light operates to appear as if they were moving while waving.

4. Advantageous Effects

As described above, in the drawing board 50, it is possible to draw a light emitting chart by applying the electrically conductive material 30 easily with the highlight pen 53. Moreover, it is also possible to remove the coated electrically conductive material 30 easily. Consequently, the repeating drawing of charts for light emitting can easily be realized.

Furthermore, a plurality of electrode pairs are formed in the EL light emitting sheet, and the control unit 110 controls the execution of the voltage application to each electrode pair. Thereby, light-emitting modes for light emitting charts can variously be changed, which makes it possible to realize interesting light emission together with the aid of the variation of

the places where the electrically conductive material 30 is coated.

Incidentally, it is needless to say that the EL light emitting display system may be applied to other toys. In that case, the toys are not limited to the ones aiming to draw the light emitting charts like the EL light emitting display toys (for example, the drawing board 50), but the toys may be ones incorporating the EL light emitting display system as a part of them.

C. Variations of EL Light Emitting Sheet

1. Variation 1 of EL Light Emitting Sheet

(1) Whole Configuration

As shown in FIG. 6, the EL light emitting sheet 10a according to the variation 1 has a configuration in which a base layer 11, an electrode layer 12, a waterproof layer 13, a light reflecting layer 16, an EL light emitting layer 14 and a top coat layer 15 are laminated in this order. Since each structure of the base layer 11, the electrode layer 12, the waterproof layer 13, the EL light-emitting layer 14 and the top coat layer 15 is substantially the same as that of the EL light emitting sheet 10 in the embodiment of the present invention, the same reference numeral as that of the sheet 10 is attached to each element and the description for them are omitted. Mainly, the light-reflecting layer 16 will be described in the following.

(2) Detailed Configuration

The light-reflecting layer 16 is arranged between the waterproof layer 13 and the EL light-emitting layer 14. The light-reflecting layer 16 adheres to the EL light-emitting layer 14. The light-reflecting layer 16 has a thickness of about 10-30 μm , a withstanding voltage of about 200-300 V, and a dielectric constant of about 30-100, preferably about 60-100.

The light-reflecting layer 16 is made by dispersing inorganic powder which is ferroelectric powder such as barium titanate or Rochelle salt, into a resin functioning as a bonding agent such as an acrylic resin or the like. Since the inorganic powder such as the ferroelectric powder is a pigment showing white, the light-reflecting layer 16 becomes white, and therefore the light-reflecting layer 16 exhibits the light-reflecting function effectively.

2. Variation 2 of EL Light Emitting Sheet

Although in the variation 1, the waterproof layer 13 is arranged between the electrode layer 12 and the light-reflecting layer 16, in the variation 2, the waterproof layer 13 is arranged between the light-reflecting layer 16 and the EL light-emitting layer 14. In this case, the top coat layer 15 are not necessarily required.

3. Variation 3 of EL Light Emitting Sheet

In variation 3, the EL light emitting sheet has a

structure in which a base layer 11, one of first and second electrodes 12a and 12b, a waterproof layer 13, the other of first and second electrodes 12a and 12b, a light reflecting layer 16, and an EL light-emitting layer 14 are laminated in this order. In this case, the top coat layer 15 are not necessarily required, and the light reflecting layer 16 may be omitted.

4. Variation 4 of EL Light Emitting Sheet

In variation 4, the EL light emitting sheet has a structure in which a base layer 11, one of first and second electrodes 12a and 12b, a light reflecting layer 16, a waterproof layer 13, the other of first and second electrodes 12a and 12b, and an EL light-emitting layer 14 are laminated in this order. In this case, the top coat layer 15 are not necessarily required.

5. Variation 5 of EL Light Emitting Sheet

Variation 5 is one that a further change is given to the EL light emitting sheet 10 according to the embodiment, or one of variations 1-4. The EL light emitting sheet according to the variation 5 has a structure in which the EL light-emitting layer 14 and/or the light reflecting layer 16 has a permeation prevention function to water or the like, instead of or in addition to the waterproof layer 13. In this case, the top coat layer 15 are not necessarily required.

The EL light-emitting layer 14 with the permeation prevention function is composed of, for example, an

organic or inorganic EL light-emitting elements being phosphor particles or phosphorescent particles, and a transparent resin binder for fixing the EL light-emitting elements in the state of being dispersed. The variation 5 uses a resin having a waterproof property or a moisture-proof property as the resin binder. The following resins are used. That is, the resins are, for example, for example, a fluorocarbon resin such as a 4-fluorinated ethylene resin, fluororubber and the like; a silicon resin such as silicon rubber and the like; the other epoxy resins; an acrylic resin; a urethane resin; a polyester resin; and a resin having a high sealing property such as an ethylene-vinyl acetate copolymer and the like. These resins are cured by a method such as the UV curing, the IR curing, the two-liquid curing, the heat curing and the like.

Further, as the resins constituting the light-reflecting layer 16 having the permeation prevention function, the following resins having the waterproof property or the moisture-proof property are used. The resins are, for example, a fluorocarbon resin such as a 4-fluorinated ethylene resin, fluororubber and the like; a silicon resin such as silicon rubber and the like; the other epoxy resins; an acrylic resin; a urethane resin; a polyester resin; and a resin having a high sealing property such as an ethylene-vinyl acetate copolymer and the like. These resins are cured by a method such as the

UV curing, the IR curing, the two-liquid curing, the heat curing and the like.

According to the variation 5, since the light-reflecting layer 16 prevents the permeation of water and the like, the generation of electrolysis between the first electrode 12a and the second electrode 12b can be prevented. Moreover, the snapping (damage) of a wire caused by the oxidation of the first electrode 12a and the second electrode 12b can be prevented.

6. Variation 6 of EL Light Emitting Sheet

In the variation 6, the first electrode 12a and the second electrode 12b are formed on the back surface of a base film or a sheet of glass (base layer 11) which have a permeation prevention function. As the base film in this case, one made of, for example, polyethylene terephthalate (PET) is used.

According to the variation 6, since the base film or the sheet of glass prevents the permeation of water and the like from the front side, the generation of electrolysis between the first electrode 12a and the second electrode 12b can be prevented. Moreover, the snapping (damage) of a wire caused by the oxidation of the first electrode 12a and the second electrode 12b can be prevented.

Incidentally, the configuration is used in the case where the EL light emitting sheet is incorporated in a case body or the like. In the case where the EL light

emitting sheet is incorporated in the case body as described above, the back surface side is generally sealed not to be exposed. Consequently, it is needless to consider the attachment of water and the like from the back surface side. If necessary, it is enough to coat the exposing electrodes with a resin having the permeation prevention function, or to perform the alumite processing of the exposing electrodes.

Incidentally, although the first electrode 12a and the second electrode 12b are provided on the back surface of the substrate sheet in the variation 6, the first electrode 12a and the second electrode 12b may be provided with putting the substrate sheet between them.

D. Variations of EL Light Emitting Display System

1. Variation 1 of EL Light Emitting Display System

A signboard 900 according to a variation of the EL light emitting system is shown in FIGS. 7A and 7B. The signboard 900 is provided with an EL light emitting sheet 910 therein. The EL light emitting sheet 910 includes rectilinearly arranged four EL light emitting sheets, which are the same as the EL light emitting sheet 10. Buttons 931, 932, 933 and 934 (hereinafter referred to as buttons 930 comprehensively) corresponding to each of the electrode pairs 921, 922, 923 and 924 (hereinafter referred to as electrode pairs 920 comprehensively) are arranged on one side of a drawing screen, i.e., the top

surface of the top coat layer of the EL light emitting sheet. The EL light emitting sheet 910 and the signboard 900 have the same configuration as those of the EL light emitting sheet 10 and the drawing board 50 except the arrangement configuration of the electrode pairs. The buttons 930 are made to be toggle switches. The buttons 930 are configured to output pushed signals when the buttons 930 are pushed down.

FIG. 8 is a control block diagram of the signboard 900. The configuration of the signboard is substantially the same as that of the drawing board 50 shown in FIG. 3. The configuration of the signboard is provided with the buttons 930. In FIG. 8, the control unit 110 selects and decides a region where light is to be emitted, that is, an electrode pair to which a predetermined voltage is applied on the basis of the pushed signal inputted from the buttons 930. For example, when the buttons 931 and 932 are pushed down, the control unit 110 selects and decides the electrode pairs 921 and 922. Then, the control unit 110 performs voltage application to the selected and decided electrode pairs 921 and 922 on the basis of the light emitting mode selected with the change-over switch 55.

FIG. 7B is a view showing an embodiment of the signboard 900 in the state in which the button 931 is pushed down. Since the electrode pair 921 is in the state of closed circuit formation possible state, the

portion of the characters indicating "TODAY'S BARGAIN!", which have been drawn with the electrically conductive material 30, emit light in the region of the drawing screen where the electrode pair 921 is arranged.

Incidentally, the buttons 930 may be composed of change-over switches to make it possible to select light emitting modes in addition to the turning on and off, of the electrode pairs. In this case, for example in FIG. 7B, a light emitting form in which light emission is blinked in the region drawn as "TODAY'S BARGAIN!" while a continuous light emission is given in the other regions, can be realized.

2. Variation 2 of EL Light Emitting Display System

(1). Schematic Configuration

FIG. 9 is a perspective view showing an external appearance of a drawing board 1000 as an embodiment of the EL light emitting display system incorporating the above-mentioned EL light emitting sheets.

As shown in FIG. 9, the drawing board 1000 is provided with a transparent cover 1110 on an EL light emitting sheet 1100. The cover 1110 is configured to be capable of being opened and closed. On the back side of the cover 1110, a projection 1111 is annexed. The projection 1111 is provided to turn on a power supply control switch (not shown in the figure) which is arranged on the inside of the drawing board 1000 when the cover 1110 is closed. Other configurations and the like

of the EL light emitting sheet 1100 are substantially the same as those of the drawing board 50.

(2). Function and Advantageous Effect

The EL light emitting display system does not work only by turning the power supply switch 1256 on. Only when both the power supply switch 1256 and the power supply control switch are turned on, the system does work to become in a closed circuit formation possible state. Therefore, even if the liquid electrically conductive material 30 penetrates into the EL light emitting sheet 1100 to short-circuit the electrode pair, no AC current is applied to the electrode pair unless the cover 1110 is closed. Accordingly, it is possible to enhance the safety.

E. Another Variation of the Invention

(1) It is preferable to contain organic or inorganic colored pigment in the waterproof layer 13 of the EL light emitting sheet, to make the electrode pattern invisible from the front side by coloring. Such coloring enables not only making the electrode pattern invisible from the front side but also widening the range of choice for design from the front side. In a case of providing a light reflecting layer 16, it is required to arrange the light reflecting layer 16 near the EL light emitting layer in comparison with the waterproof layer 13.

(2) In the variation 2 of EL light emitting display

system, a projection 1111 is annexed on the back side of the cover 1110, and when the cover 1110 is closed, the system works to become in a closed circuit formation possible state. However, opening and closing of the cover 1110 may be detected by any one of appropriate mechanical, electrical and optical manners, to become in a closed circuit formation possible state only when the cover 1110 is closed. Alternatively, a structure in which the power supply switch 1256 is locked during the cover 1110 is opened, may also be used.

The entire disclosure of Japanese Patent Application No. Tokugan 2002-254617 which was filed on August 30, 2002, and Japanese Patent Application No. Tokugan 2003-122777 which was filed on April 25, 2003, including specification, claims, drawings and summary are incorporated herein by reference in its entirety.

What is claimed is:

1. An electroluminescence light emitting display system comprising:

an electroluminescence light emitting sheet which comprises: a light-emitting layer containing electroluminescence light-emitting elements therein, and an electrode pair of first and second electrodes each of which forms a comb-like pattern and extends to a direction inclined with respect to a width direction of the electroluminescence light emitting sheet, comb-like pattern portions of the first and second electrodes engaging each other with a predetermined interval across a spacing region so as to prevent contacting each other; and

a voltage application unit for applying a predetermined voltage between the first and second electrodes of the electrode pair,

wherein the electroluminescence light emitting display system is configured such that when the voltage application is performed by the voltage application unit and an electrically conductive material is put on an area of a front surface of the light-emitting layer, the area of the light-emitting layer emits light.

2. The electroluminescence light emitting display system as claimed in claim 1, wherein the comb-

like pattern portion extends to the direction which is inclined at an angle in a range of 45 ± 22.5 degrees with respect to the width direction.

3. The electroluminescence light emitting display system as claimed in claim 1 or 2, wherein each width of the first and second electrodes in a light emitting region of the electroluminescence light emitting sheet is 0.2-0.5 mm, and each width of the spacing regions in the light emitting region of the electroluminescence light emitting sheet is 0.2-0.3 mm.

4. The electroluminescence light emitting display system as claimed in any one of claims 1 to 3, wherein the electrode pair is formed by depositing a metal such as copper, aluminum or the like on a base layer to form a metal layer and etching the deposited metal layer.

5. The electroluminescence light emitting display system as claimed in any one of claims 1 to 4, wherein the surface of the light-emitting sheet allows to put the electrically conductive material thereon removably.

6. The electroluminescence light emitting

display system as claimed in any one of claims 1 to 5, wherein the electroluminescence light emitting display system comprises a plurality of electrode pairs.

7. An electroluminescence light emitting display system substantially as shown with reference to the accompanying drawings.

8. An electroluminescence light emitting sheet comprising:

a light-emitting layer containing electroluminescence light-emitting elements therein; and an electrode pair of first and second electrodes, wherein each of which forms a comb-like pattern and extends to a direction inclined with respect to a width direction of the electroluminescence light emitting sheet, comb-like pattern portions of the first and second electrodes engaging each other with a predetermined interval across a spacing region so as to prevent contacting each other.

9. The electroluminescence light emitting sheet as claimed in claim 8, wherein the comb-like pattern portion extends to the direction which is inclined at an angle in a range of 45 ± 22.5 degrees with respect to the width direction.

10. The electroluminescence light emitting sheet as claimed in claim 8 or 9, wherein each width of the first and second electrodes in a light emitting region of the electroluminescence light emitting sheet is 0.2-0.5 mm, and each width of the spacing regions in the light emitting region of the electroluminescence light emitting sheet is 0.2-0.3 mm.

11. The electroluminescence light emitting sheet as claimed in any one of claims 8 to 10, wherein the electrode pair is formed by depositing a metal such as copper, aluminum or the like on a base layer to form a metal layer and etching the deposited metal layer.

12. The electroluminescence light emitting sheet as claimed in any one of claims 8 to 11, wherein the electroluminescence light emitting sheet comprises a plurality of electrode pairs.

13. An electroluminescence light emitting sheet substantially as shown with reference to the accompanying drawings.



INVESTOR IN PEOPLE

Application No: GB 0317995.9
Claims searched: 1 to 13

Examiner: Anna Brandon
Date of search: 15 September 2003

Patents Act 1977 : Search Report under Section 17

Documents considered to be relevant:

Category	Relevant to claims	Identity of document and passage or figure of particular relevance
X	8-12	EP1164621 A (FUJITSU HITACHI PLASMA DISPLAY)
A		JP2002050474 A (MAX)
A		GB2063544 A (BRADY)

Categories:

X	Document indicating lack of novelty or inventive step	A	Document indicating technological background and/or state of the art.
Y	Document indicating lack of inventive step if combined with one or more other documents of same category.	P	Document published on or after the declared priority date but before the filing date of this invention.
&	Member of the same patent family	E	Patent document published on or after, but with priority date earlier than, the filing date of this application.

Field of Search:

Search of GB, EP, WO & US patent documents classified in the following areas of the UKC^v:

H1K

Worldwide search of patent documents classified in the following areas of the IPC⁷ :

H01L, H05B

The following online and other databases have been used in the preparation of this search report :

Online: EPODOC, WPI, JAPIO, SPIN Web, IEEE Xplore