



US0D1049080S

(12) **United States Design Patent**
Lindenberger

(10) **Patent No.:** **US D1,049,080 S**

(45) **Date of Patent:** **** Oct. 29, 2024**

(54) **HEADPHONE**

D681,015 S 4/2013 Akana et al.
D690,685 S * 10/2013 Iacovelli D14/223
D695,718 S 12/2013 Burgett et al.

(Continued)

(71) Applicant: **Harman International Industries, Incorporated**, Northridge, CA (US)

(72) Inventor: **Laurent Lindenberger**, Shenzhen (CN)

OTHER PUBLICATIONS

(73) Assignee: **Harman International Industries, Incorporated**, Northridge, CA (US)

Design U.S. Appl. No. 29/803,538, filed Aug. 13, 2021.

(Continued)

(**) Term: **15 Years**

Primary Examiner — Paula Allen Greene

(21) Appl. No.: **29/867,433**

(74) *Attorney, Agent, or Firm* — Plumsea Law Group, LLC

(22) Filed: **Oct. 25, 2022**

(57) **CLAIM**

(51) **LOC (14) Cl.** **14-01**

The ornamental design for a headphone as shown and described.

(52) **U.S. Cl.**

DESCRIPTION

USPC **D14/223**

(58) **Field of Classification Search**

USPC D14/223; D13/108; D24/174;
128/864–866; 381/380–381, 322, 328
CPC H04R 1/10; H04R 25/00; H04R 25/02;
H04R 1/1066; H04R 1/1016; H04R
5/0335; H04R 1/02; H04R 9/06; H04R
1/1058; H04R 1/1091
See application file for complete search history.

FIG. 1 is a perspective view of a headphone showing the new design in a first embodiment;
FIG. 2 is a front elevational view thereof;
FIG. 3 is a rear elevational view thereof;
FIG. 4 is a side elevational view thereof;
FIG. 5 is an opposite side elevational view thereof;
FIG. 6 is a top view thereof;
FIG. 7 is a bottom view thereof;
FIG. 8 is a perspective view of the headphone in a second embodiment, illustrating a mirror image of the headphone of FIGS. 1-7;
FIG. 9 is a front elevational view thereof;
FIG. 10 is a rear elevational view thereof;
FIG. 11 is a side elevational view thereof;
FIG. 12 is an opposite side elevational view thereof;
FIG. 13 is a top view thereof; and,
FIG. 14 is a bottom view thereof.

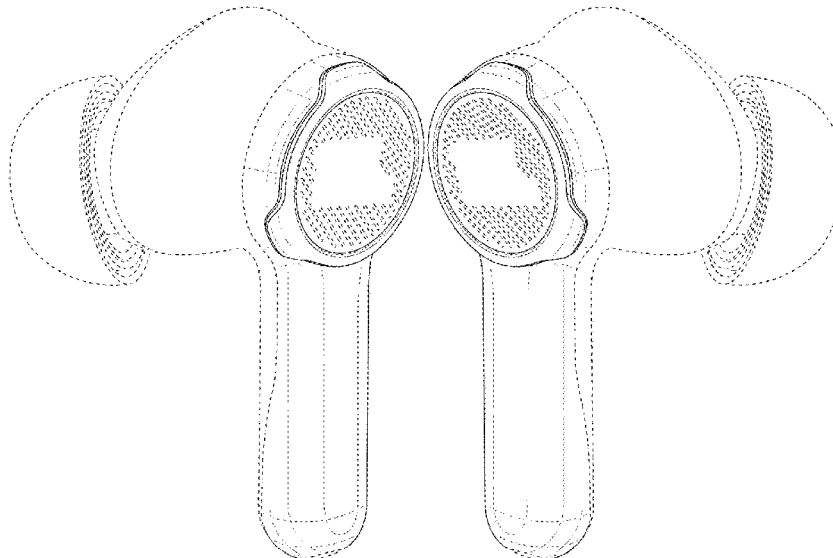
(56) **References Cited**

U.S. PATENT DOCUMENTS

6,688,421	B2 *	2/2004	Dyer	H04R 25/652
					381/328
D505,411	S *	5/2005	Sakai	D14/205
D531,169	S *	10/2006	Tokioka	D14/223
D542,282	S *	5/2007	Yoshiyama	D14/223
D577,009	S *	9/2008	Wilson	D14/228
D598,898	S *	8/2009	Davidson	D14/215
D606,971	S *	12/2009	Christopher	D14/205
D626,117	S *	10/2010	Lowry	D14/223
D642,163	S *	7/2011	Lee	D14/223
D647,081	S *	10/2011	Kwon	D14/223
D666,581	S *	9/2012	Perez	D14/223
D673,522	S *	1/2013	Iijima	D14/205

The broken lines immediately adjacent the shaded areas represent the bounds of the claimed design while all other broken lines are directed to environment in which the design resides; the broken lines form no part of the claimed design.

1 Claim, 14 Drawing Sheets



(56)

References Cited

U.S. PATENT DOCUMENTS

D696,230 S 12/2013 Burgett et al.
 D697,058 S * 1/2014 Thompson D14/223
 D707,205 S * 6/2014 Wenger H04R 25/00
 D14/223
 D707,206 S 6/2014 Akana et al.
 D713,385 S 9/2014 Burgett et al.
 8,831,266 B1 * 9/2014 Huang H04R 1/2826
 381/372
 D716,771 S 11/2014 Burgett et al.
 D717,772 S * 11/2014 Yang D14/223
 D725,081 S 3/2015 Burgett et al.
 D725,634 S 3/2015 Burgett et al.
 D725,635 S 3/2015 Burgett et al.
 D732,008 S 6/2015 Akana et al.
 D742,859 S * 11/2015 Miyake D14/223
 D746,268 S 12/2015 Karayiannis et al.
 D769,849 S 10/2016 Akana et al.
 D801,314 S 10/2017 Akana et al.
 D820,809 S 6/2018 Akana et al.
 D832,232 S 10/2018 Czaniecki et al.
 D847,125 S 4/2019 Akana et al.
 D848,980 S * 5/2019 Kim D14/223
 D867,325 S 11/2019 Akana et al.
 D872,064 S * 1/2020 Cai D14/223
 D872,711 S * 1/2020 Hu D14/223
 D873,248 S * 1/2020 Weicheng D14/223
 D877,722 S * 3/2020 Yang D14/223
 D896,205 S * 9/2020 Zhang D14/223
 D900,065 S 10/2020 Distefano
 D915,346 S 4/2021 Lorsold et al.
 D916,048 S 4/2021 Meyer et al.
 D920,293 S * 5/2021 Chen D14/223
 D923,610 S * 6/2021 Bonahoom D14/223

D924,833 S 7/2021 Czaniecki et al.
 D924,848 S * 7/2021 Yang D14/223
 D924,852 S * 7/2021 Liu D14/223
 D925,499 S * 7/2021 Xie D14/223
 D931,255 S * 9/2021 Zhang D14/223
 D931,256 S 9/2021 Lu
 D940,107 S * 1/2022 He D14/223
 D941,273 S 1/2022 Czaniecki
 D942,970 S 2/2022 Lu et al.
 D950,525 S * 5/2022 Chen D14/223
 D954,026 S * 6/2022 Sasaki D14/223
 D957,365 S * 7/2022 Lee D14/223
 D977,458 S * 2/2023 Cai D14/223
 D981,373 S * 3/2023 Jiang D14/223
 D984,420 S * 4/2023 Wang D14/223
 D1,002,584 S * 10/2023 Bentzen D14/223
 D1,005,992 S * 11/2023 Lee D14/223
 2012/0003937 A1 * 1/2012 Zhong H04M 1/6066
 455/41.3
 2014/0286515 A1 * 9/2014 Bone H04R 1/1016
 381/328
 2017/0094392 A1 3/2017 Zörkendörfer et al.
 2019/0182575 A1 * 6/2019 Julstrom H04R 1/1083
 2020/0177981 A1 * 6/2020 Ma H04R 1/1016
 2020/0374632 A1 * 11/2020 Wang H04R 1/1016

OTHER PUBLICATIONS

Design U.S. Appl. No. 29/804,308, filed Aug. 19, 2021.
 Design U.S. Appl. No. 29/821,531, filed Dec. 30, 2021.
 Design U.S. Appl. No. 29/866,142 filed Aug. 30, 2022.
 Design U.S. Appl. No. 29/868,919, filed Dec. 16, 2022.
 Design U.S. Appl. No. 29/867,435, filed Oct. 25, 2022.
 Design U.S. Appl. No. 29/867,437, filed Oct. 25, 2022.

* cited by examiner

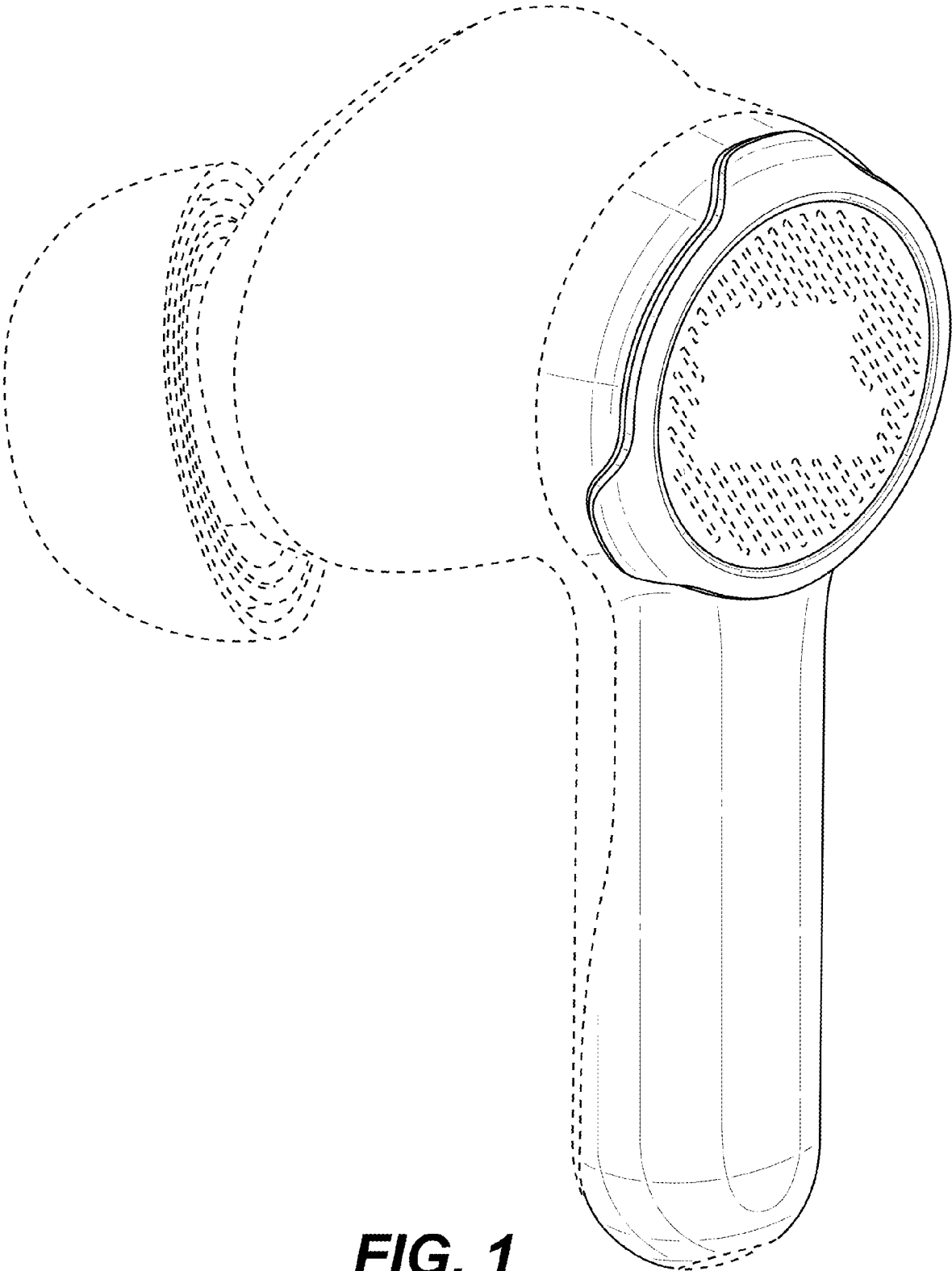


FIG. 1

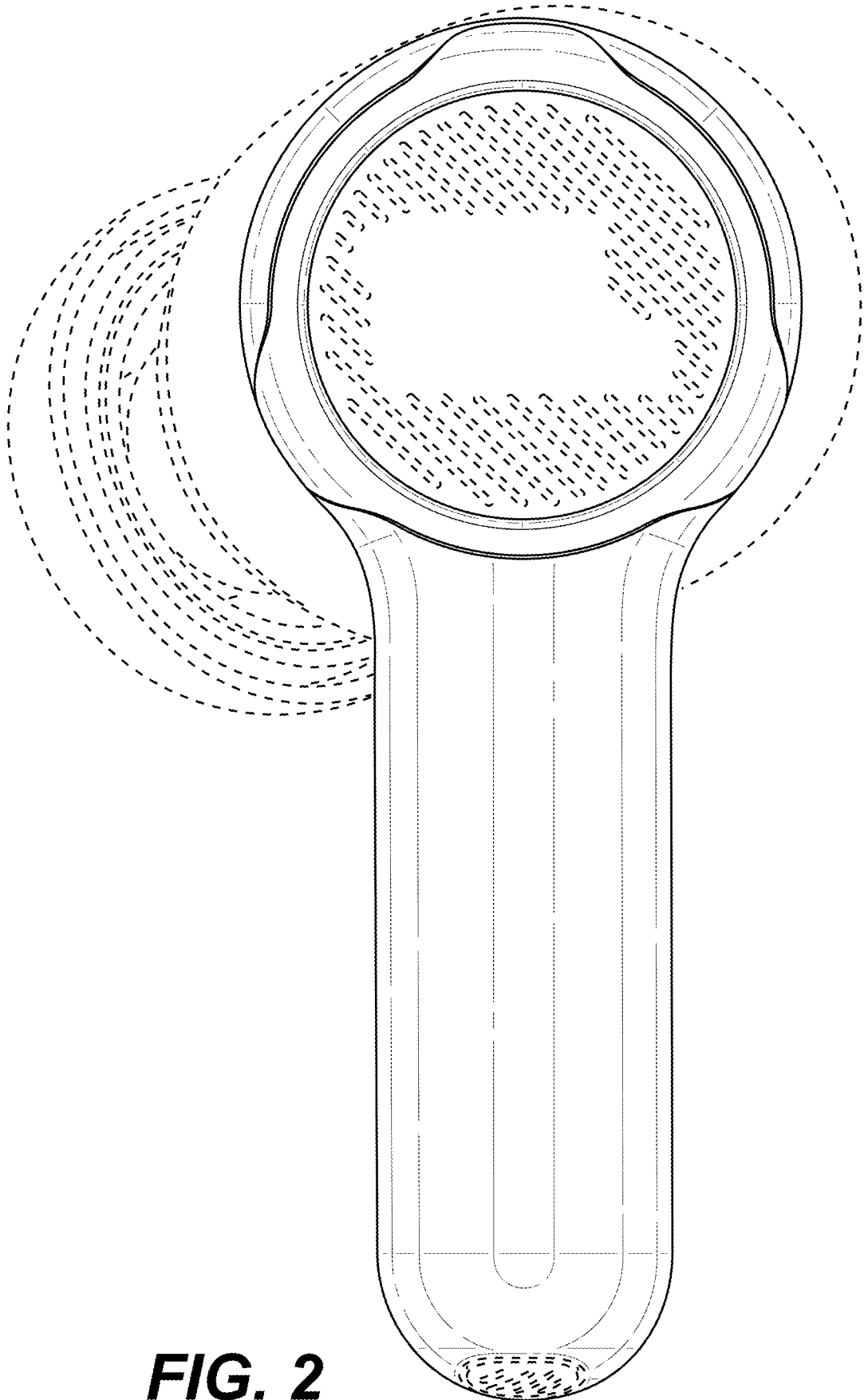


FIG. 2

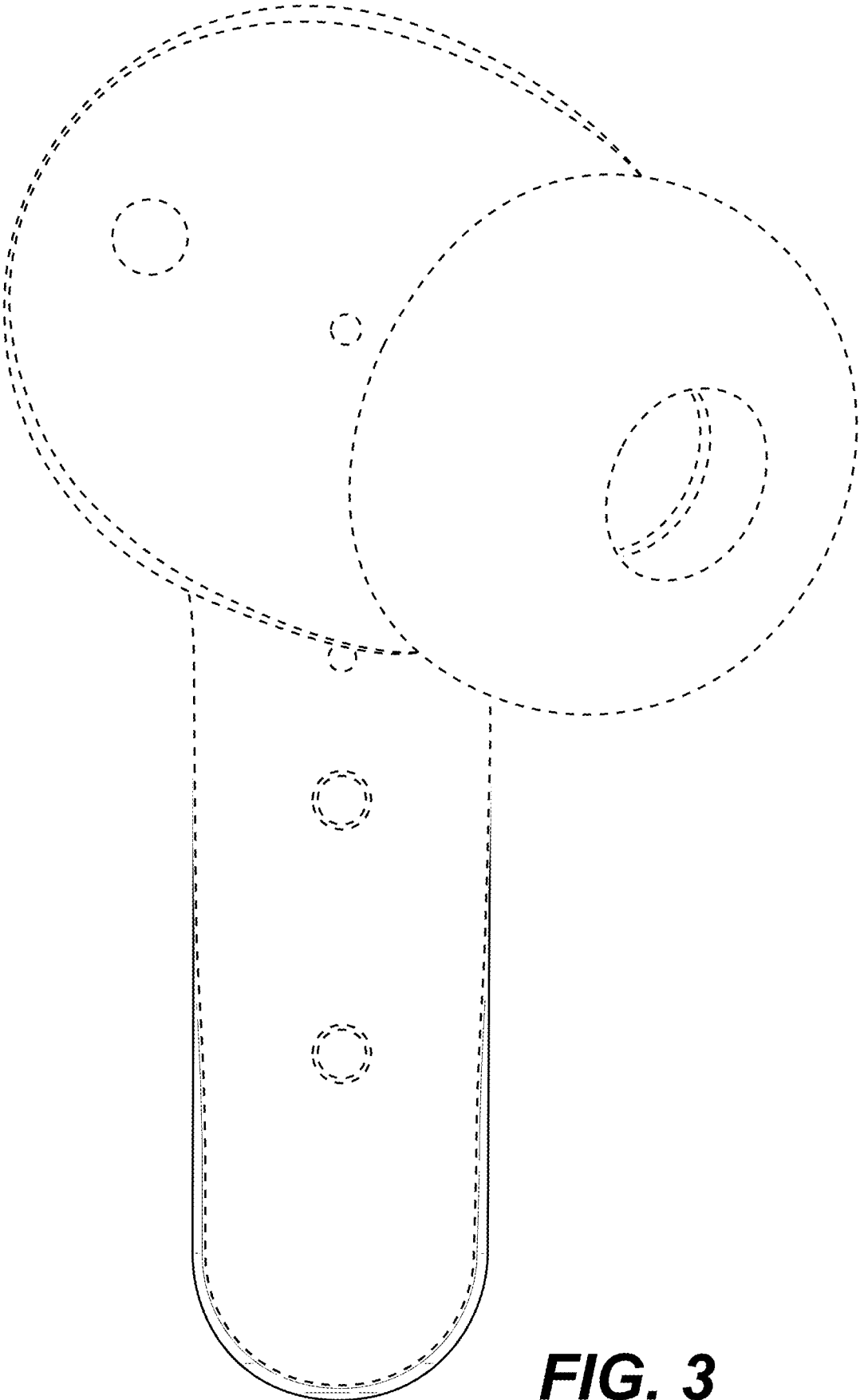


FIG. 3

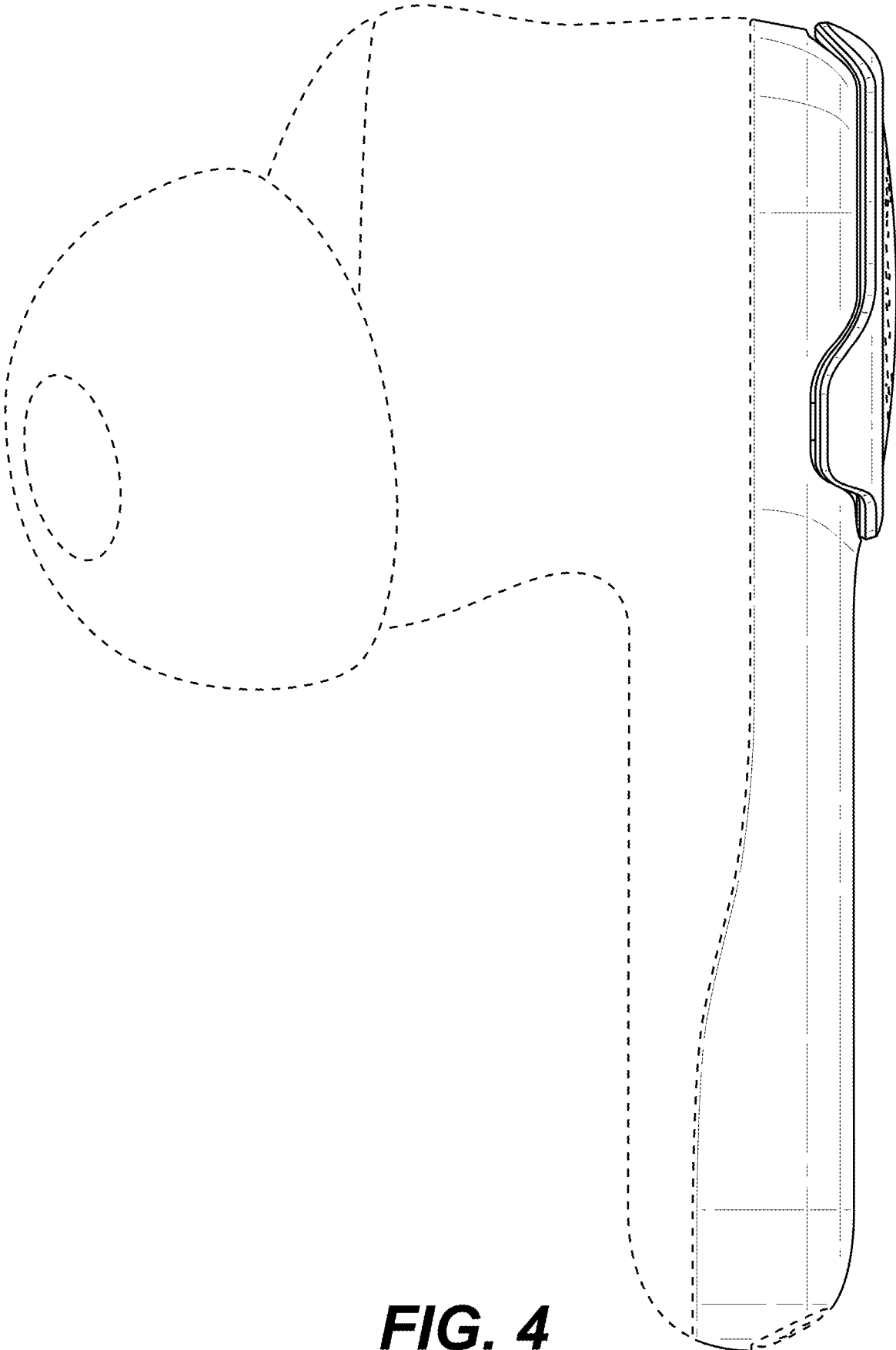


FIG. 4

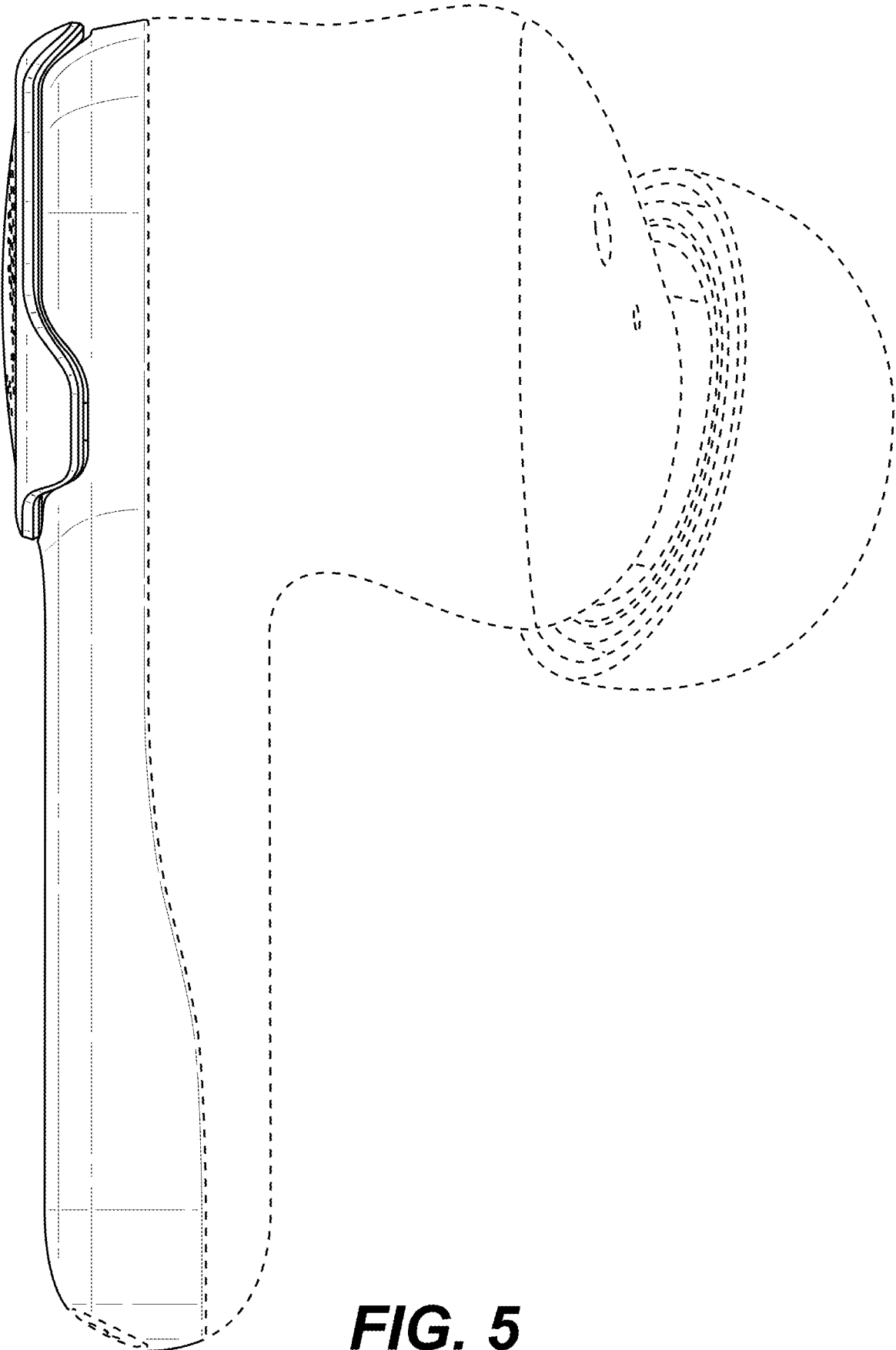


FIG. 5

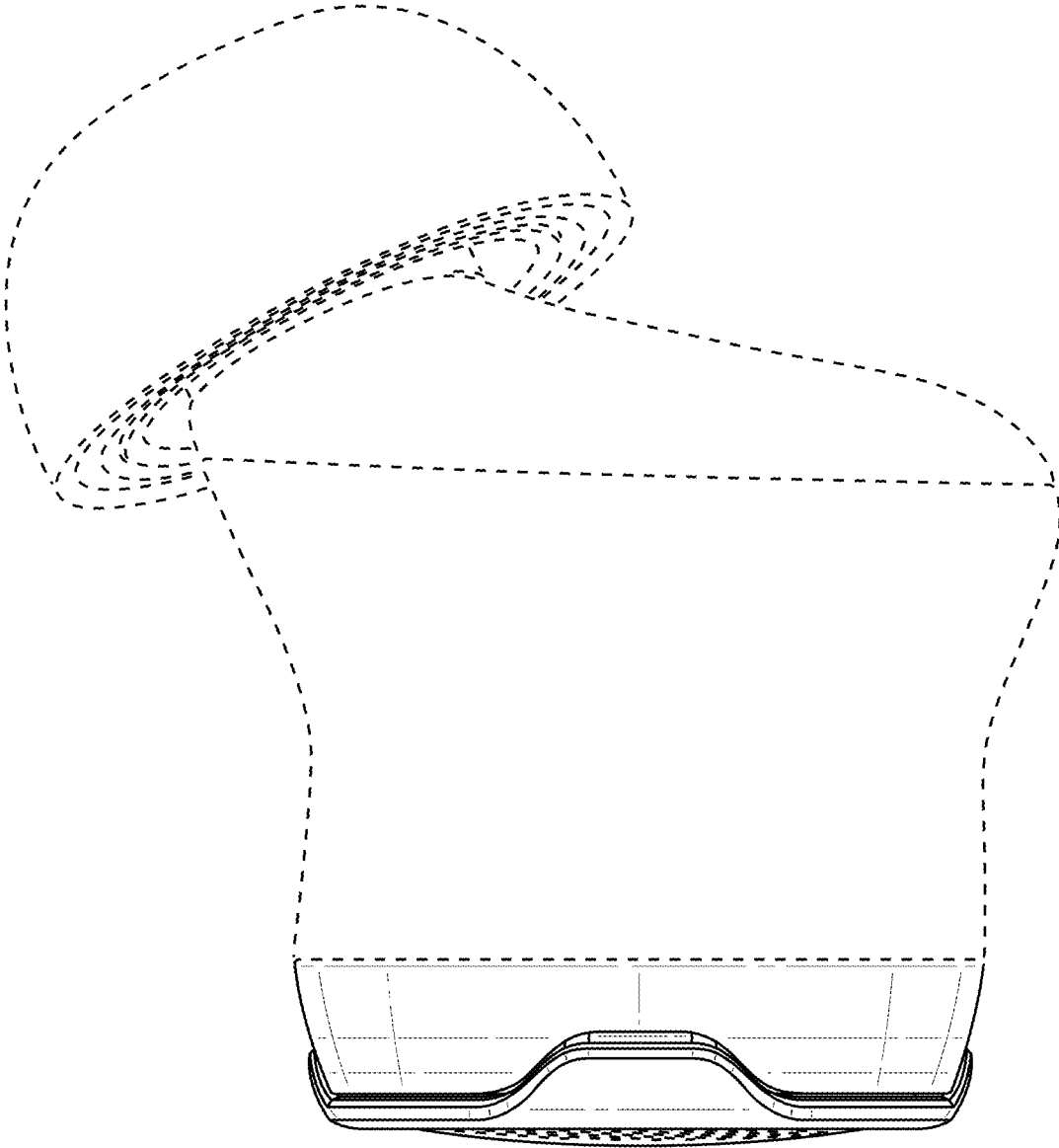


FIG. 6

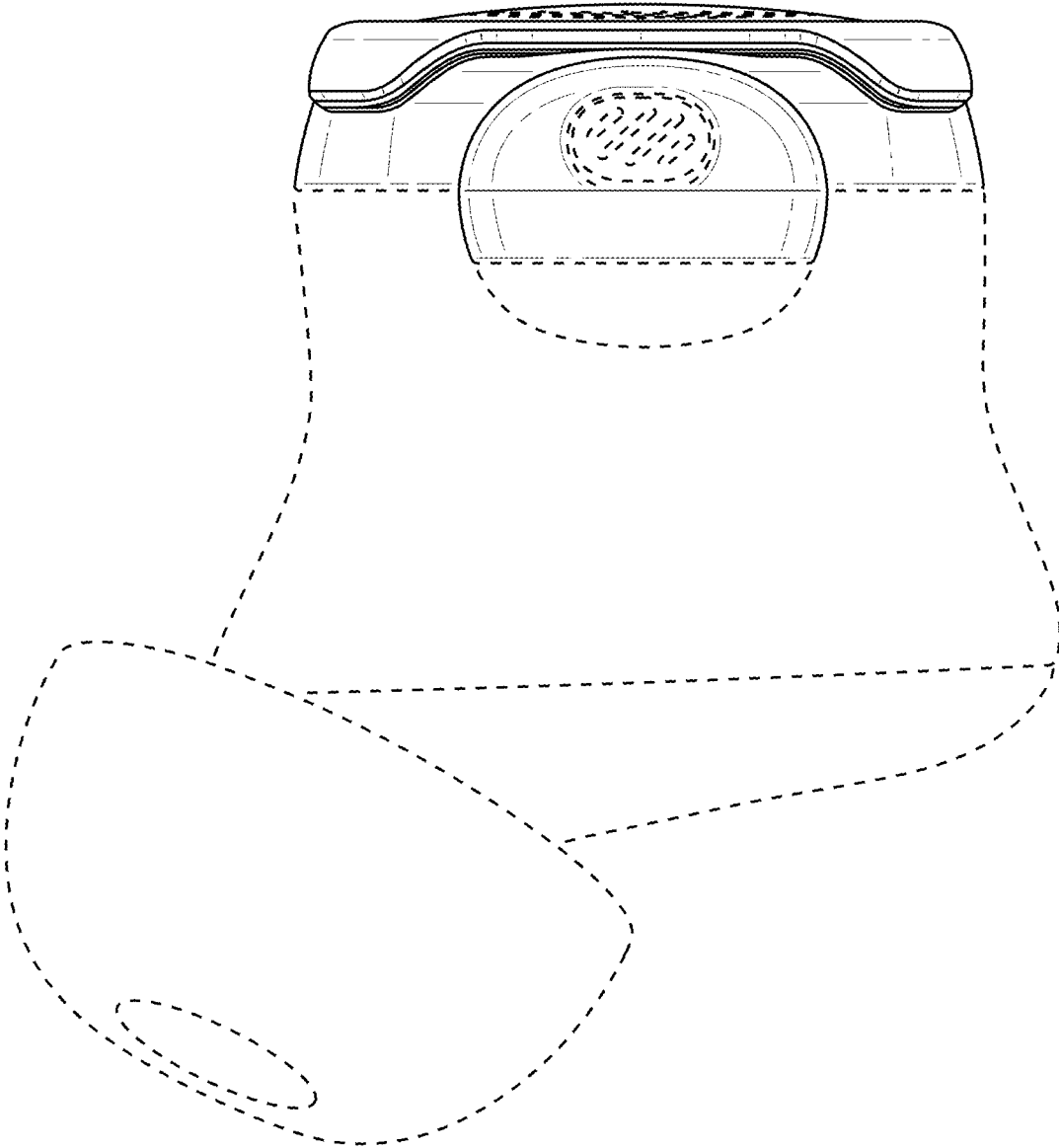


FIG. 7

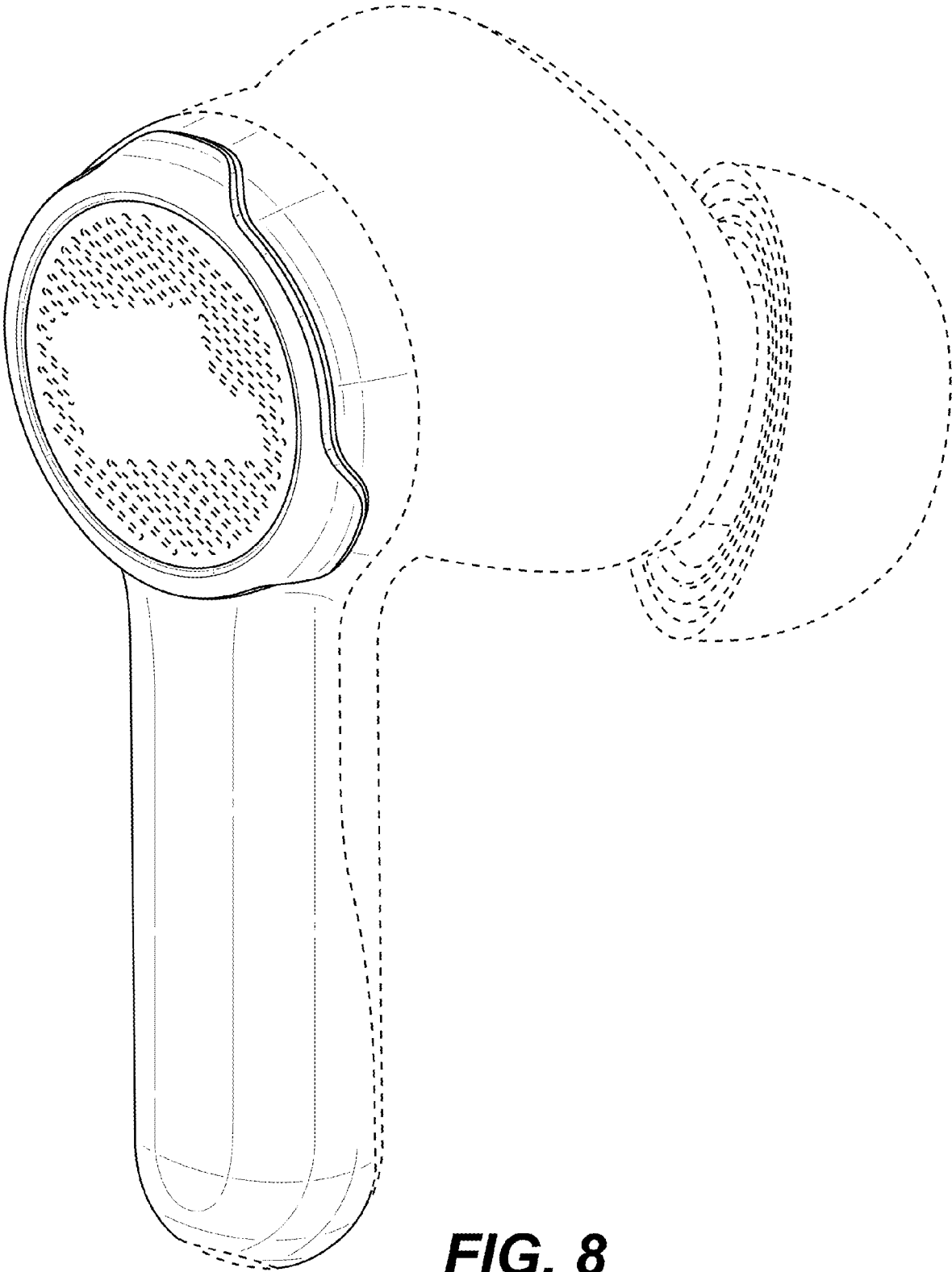


FIG. 8

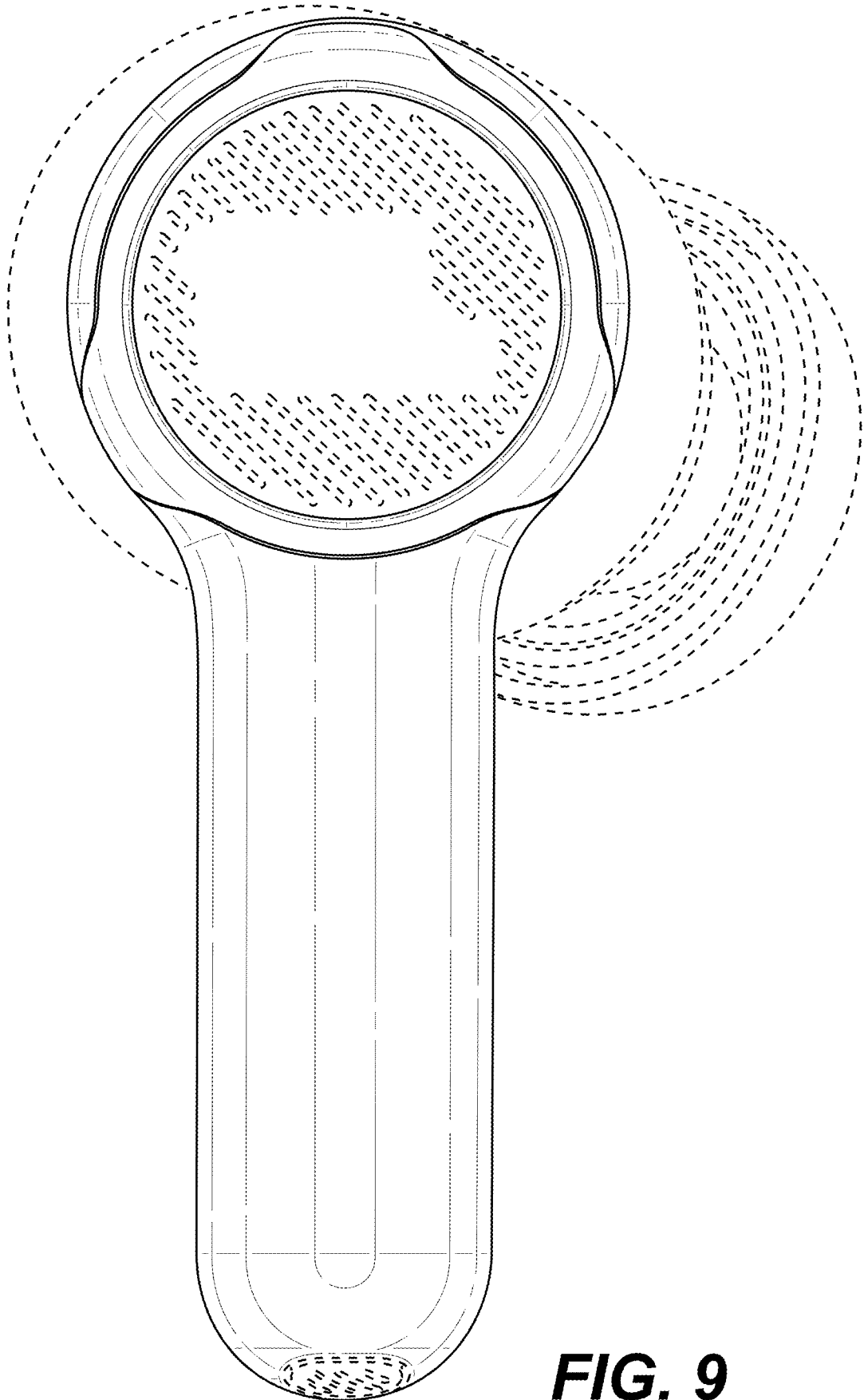


FIG. 9

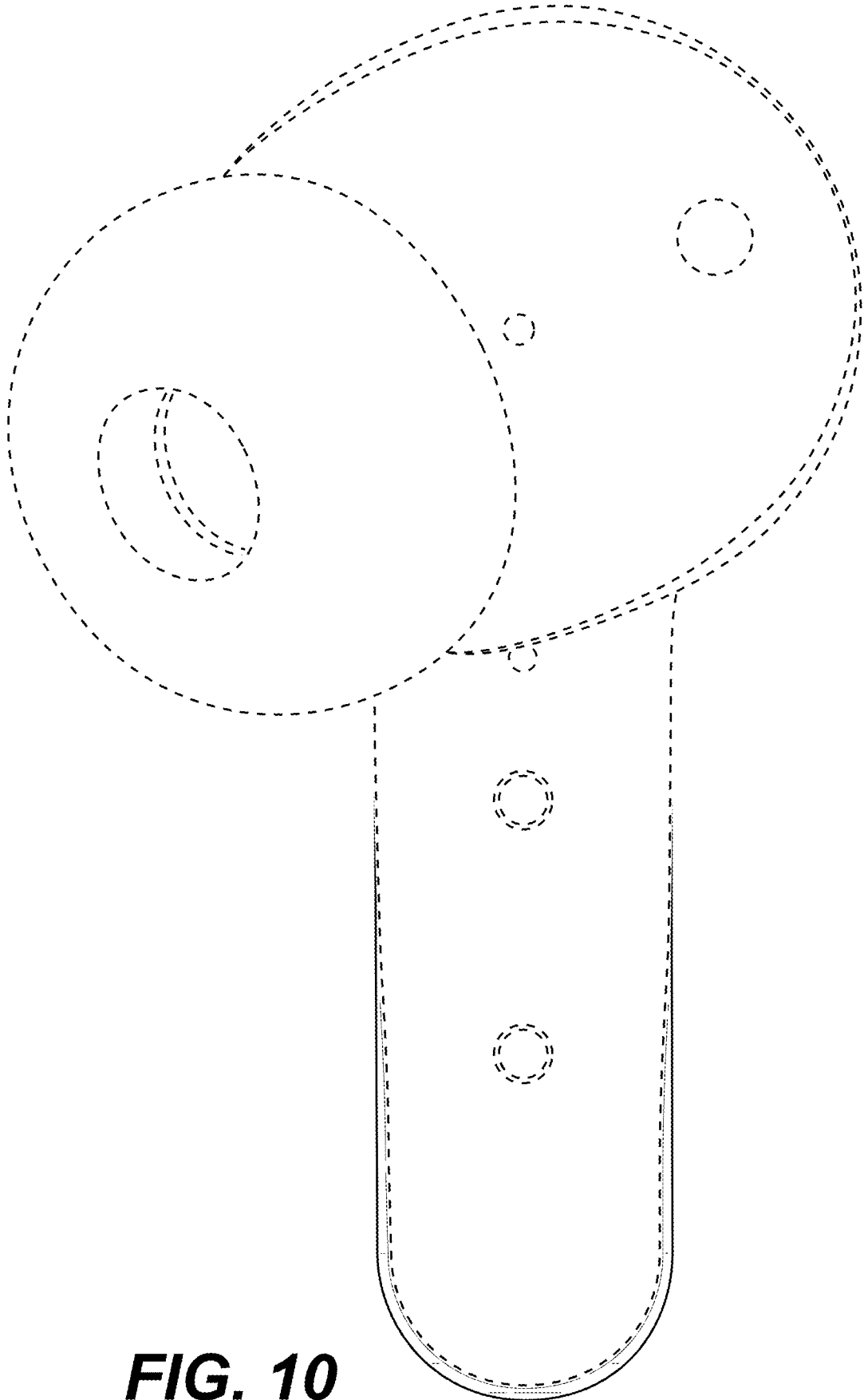


FIG. 10

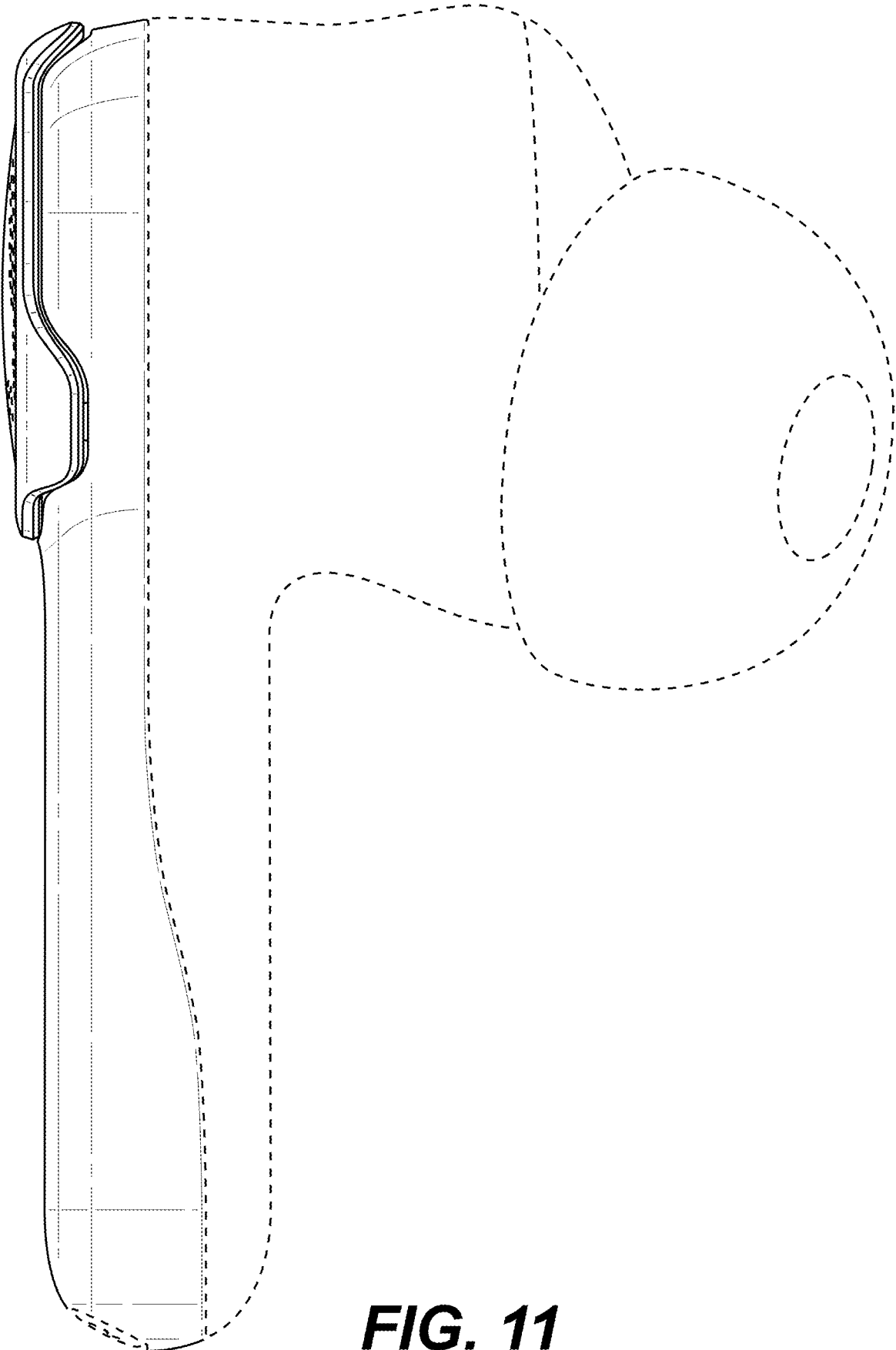


FIG. 11

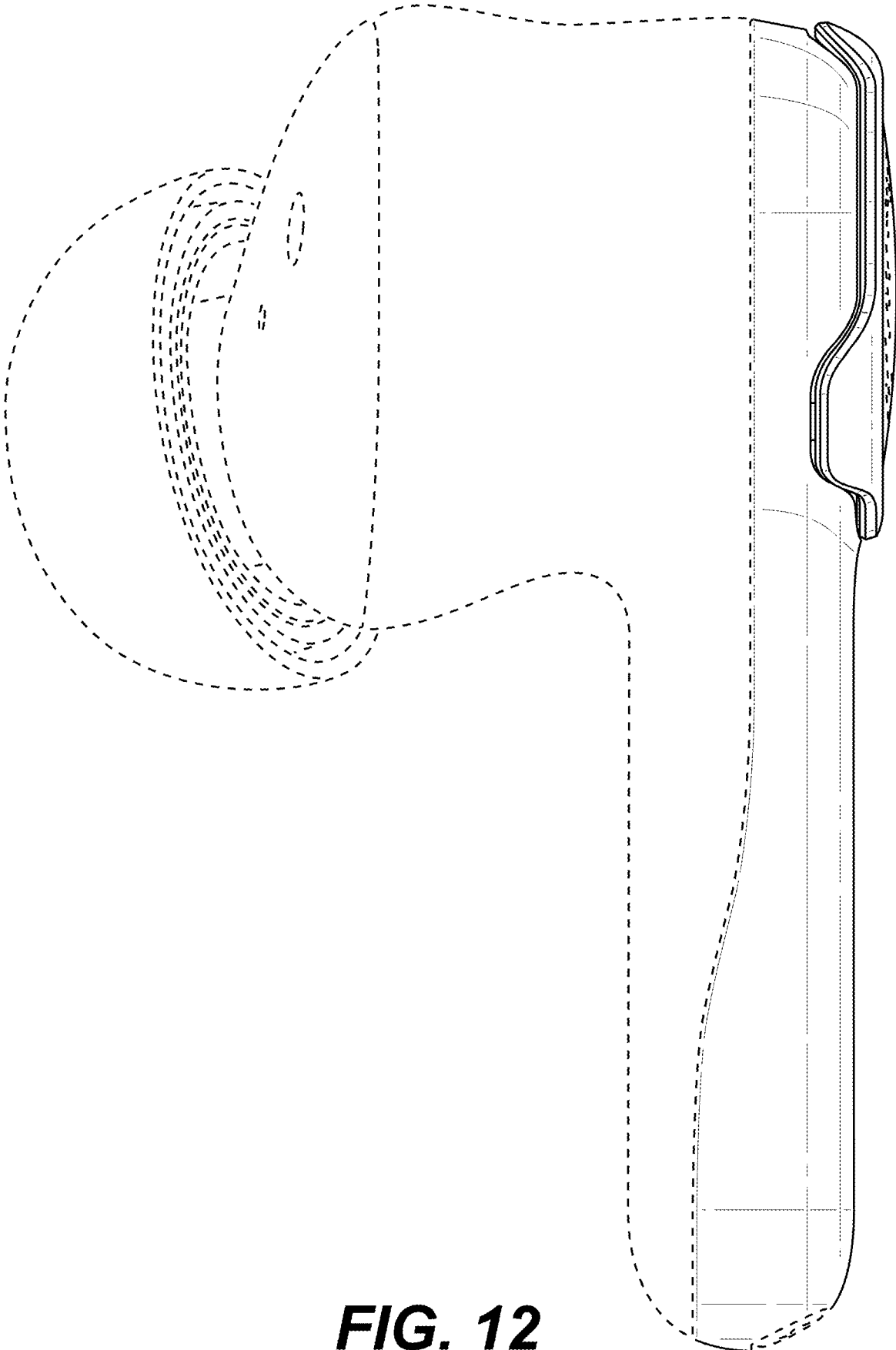


FIG. 12

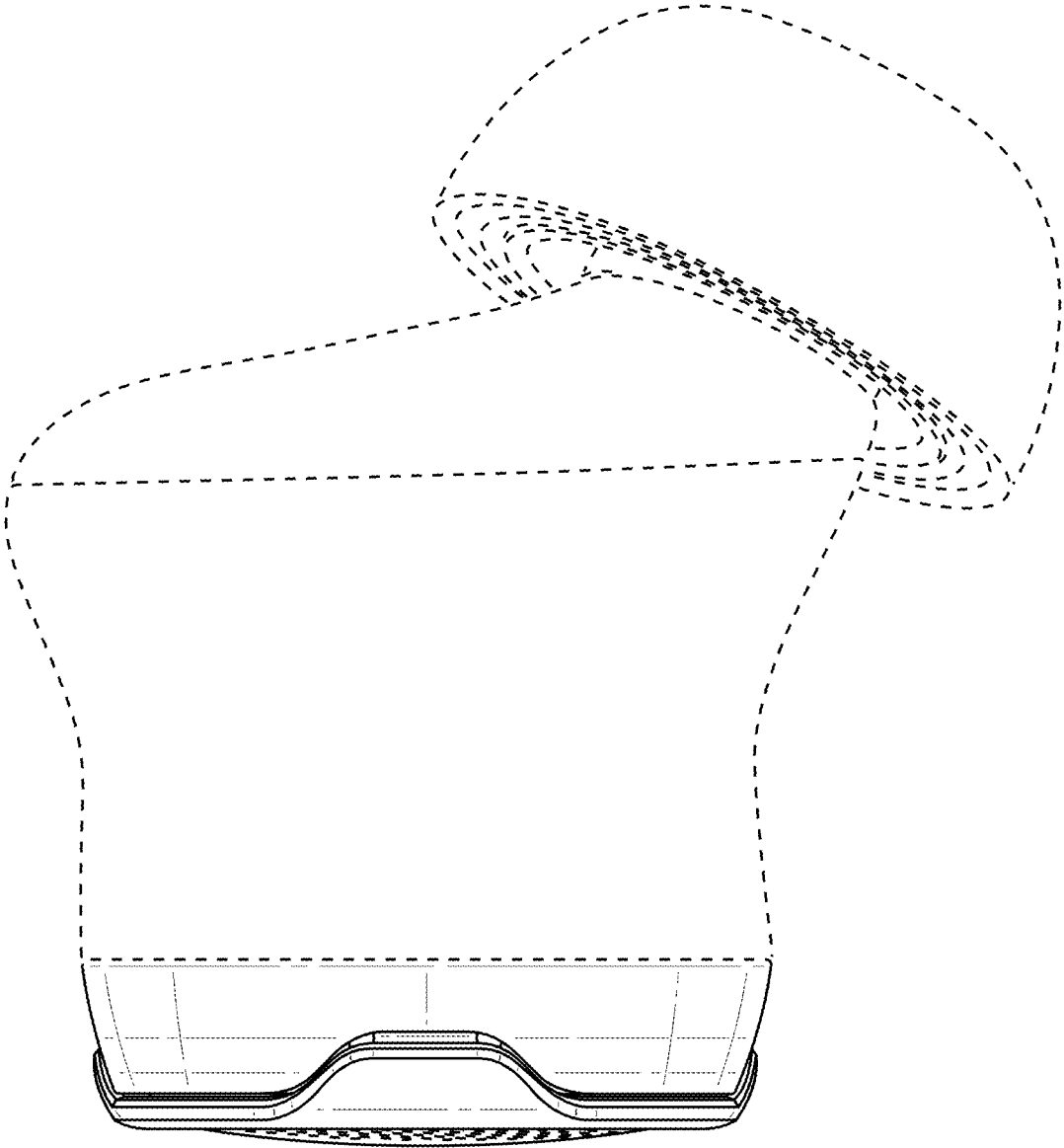


FIG. 13

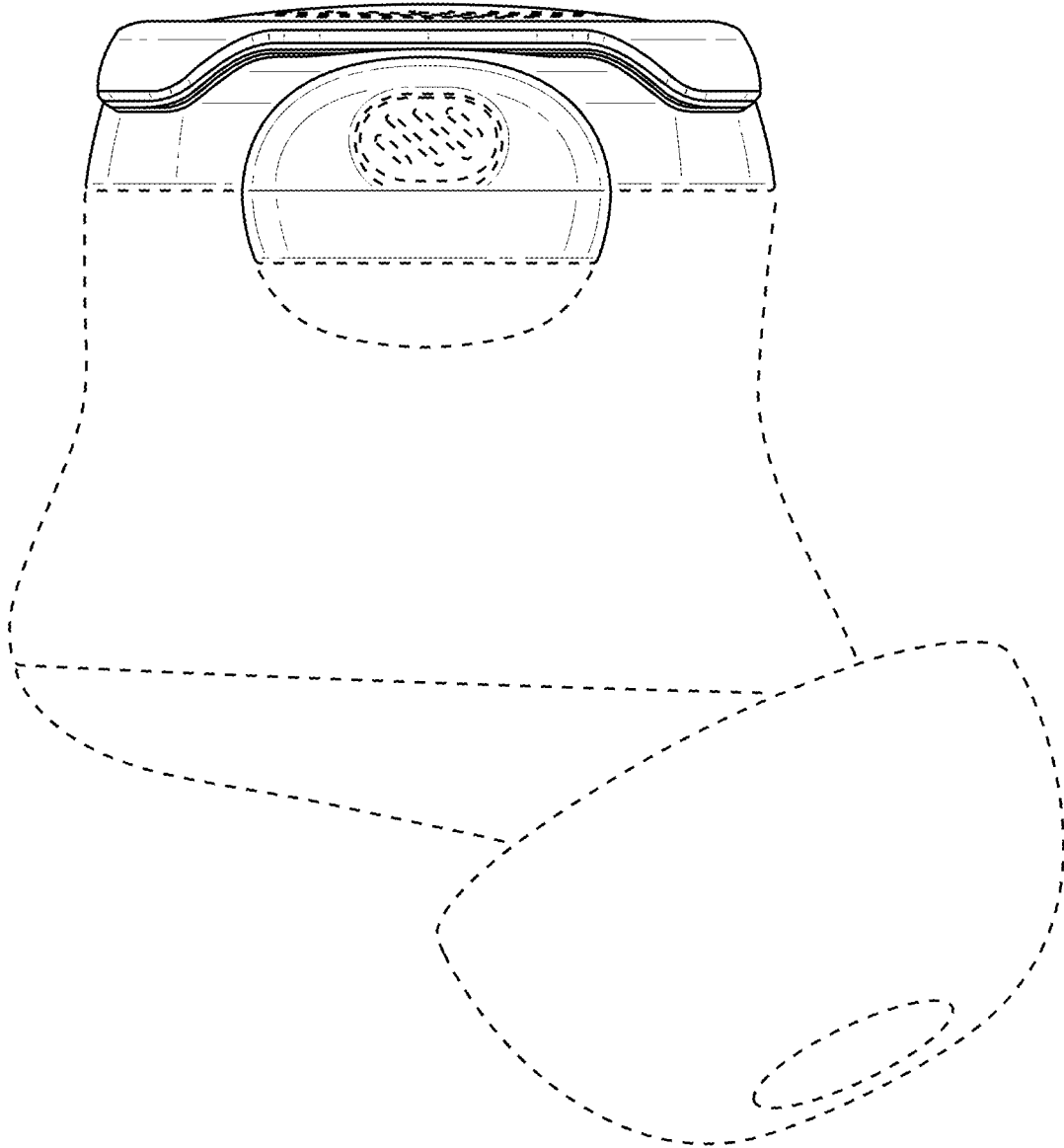


FIG. 14