



US00D445657S

(12) **United States Design Patent**
Jong

(10) **Patent No.:** **US D445,657 S**

(45) **Date of Patent:** **** Jul. 31, 2001**

(54) **CHAIN SAW**
(75) **Inventor:** **Jung-Chang Jong, Chungli (TW)**
(73) **Assignee:** **Jenn Feng Industrial Co., Ltd.,
Taoyuan (TW)**
(**) **Term:** **14 Years**

4,785,540	*	11/1988	Arvidsson	30/520
4,796,360	*	1/1989	Fischer	30/384
5,184,403	*	2/1993	Schliemann	30/123.4
5,666,733	*	9/1997	Nitschmann	30/387
5,709,032	*	1/1998	Mizutani et al.	30/382
5,791,057	*	8/1998	Nakamura et al.	30/381
5,813,123	*	9/1998	Wieland et al.	30/382
5,915,795	*	6/1999	Nakamura et al.	30/382

(21) **Appl. No.:** **29/133,509**
(22) **Filed:** **Nov. 29, 2000**

(51) **LOC (7) Cl.** **08-03**
(52) **U.S. Cl.** **D8/65**
(58) **Field of Search** D8/61-70, 7-9;
81/57.11, 54, 57.42; 173/170; 30/381-387,
371, 123.4

OTHER PUBLICATIONS

Remington Chain Saw advertisement.*

* cited by examiner

Primary Examiner—Jeffrey Asch

(57) **CLAIM**

The ornamental design for chain saw, as shown and described.

(56) **References Cited**

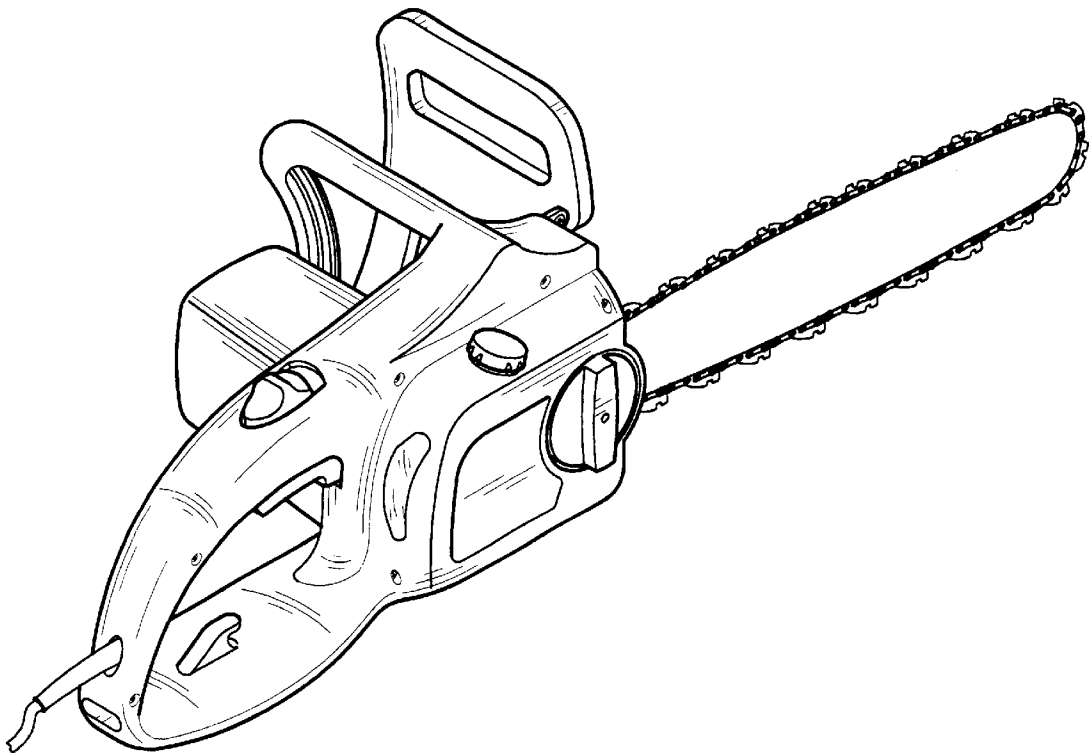
U.S. PATENT DOCUMENTS

D. 288,896	*	3/1987	Yamamoto et al.	D8/65
D. 309,087		7/1990	Yamamoto et al.	D8/65
D. 350,680	*	9/1994	Berfield et al.	D8/65
D. 364,326		11/1995	Lohse et al.	D8/65
D. 377,441		1/1997	Hoppner et al.	D8/65
D. 382,451	*	8/1997	Kikuchi	D8/8
D. 385,766	*	11/1997	Kondo et al.	D8/65
D. 408,246	*	4/1999	Juratovac et al.	D8/65
D. 408,247	*	4/1999	Juratovac et al.	D8/65
4,785,539	*	11/1988	Nagashima	30/381

DESCRIPTION

FIG. 1 is a perspective view of chain saw showing my new design;
FIG. 2 is a front elevational view thereof;
FIG. 3 is a rear elevational view thereof;
FIG. 4 is a left side elevational view thereof;
FIG. 5 is a right side elevational view thereof;
FIG. 6 is a top view thereof; and,
FIG. 7 is a bottom view thereof.

1 Claim, 7 Drawing Sheets



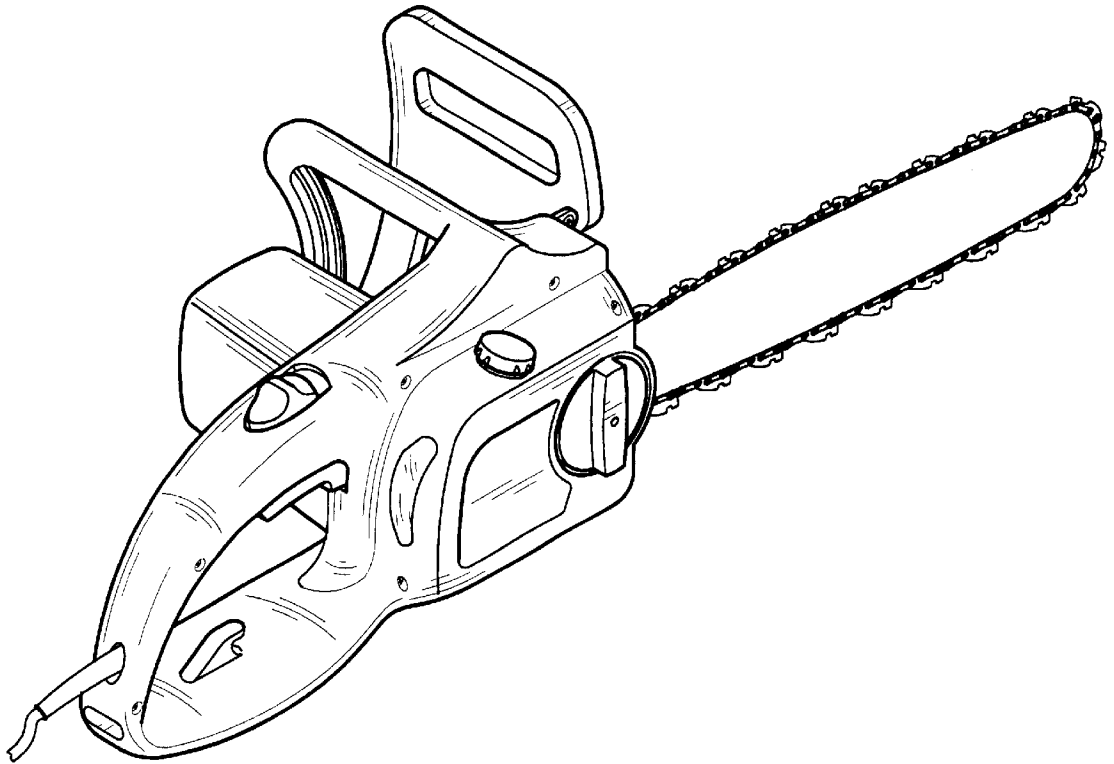


FIG. 1

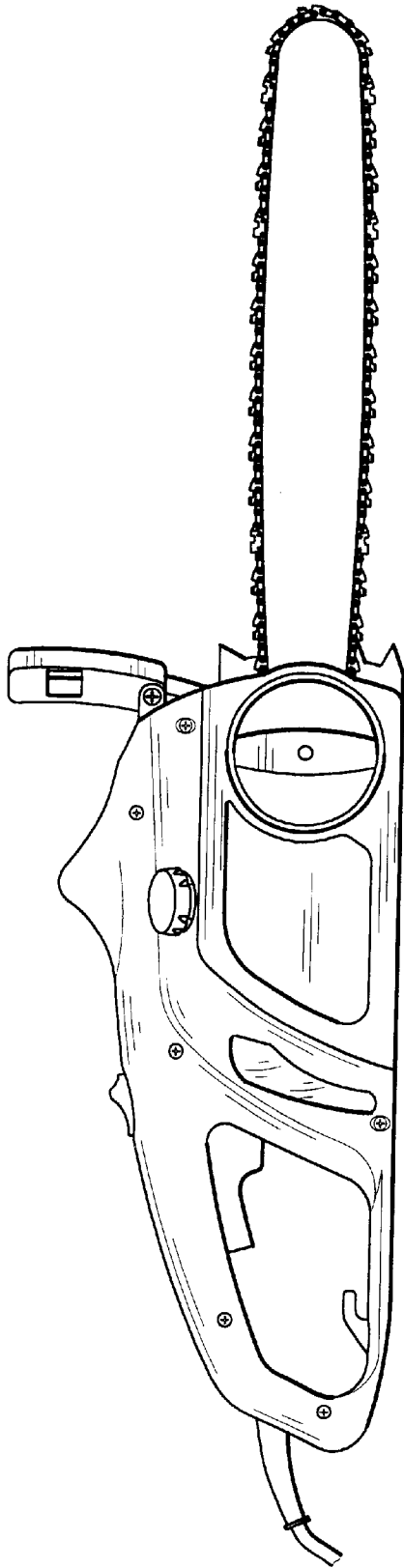


FIG. 2

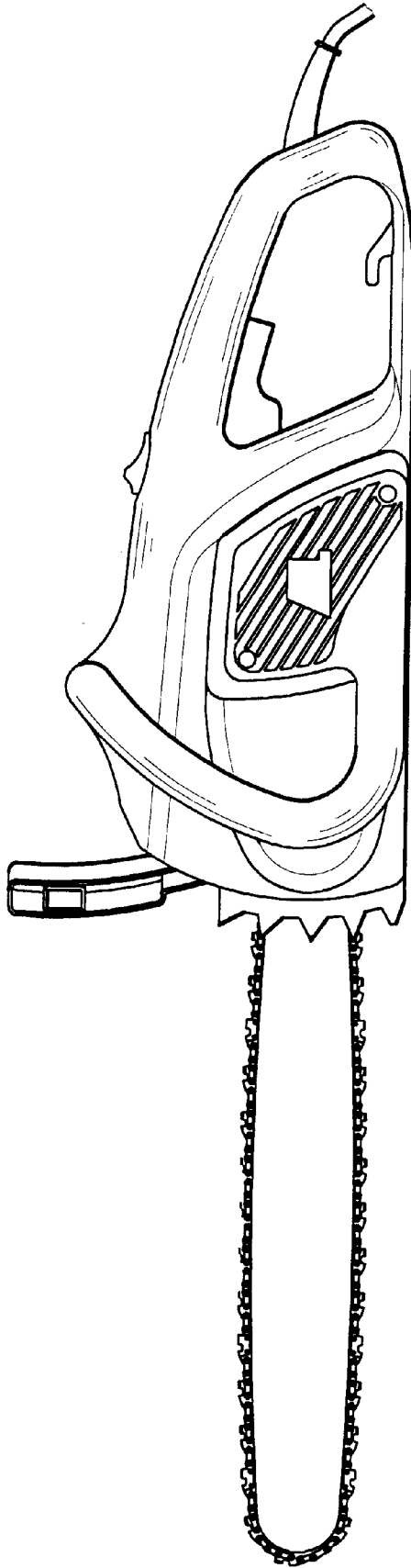


FIG. 3

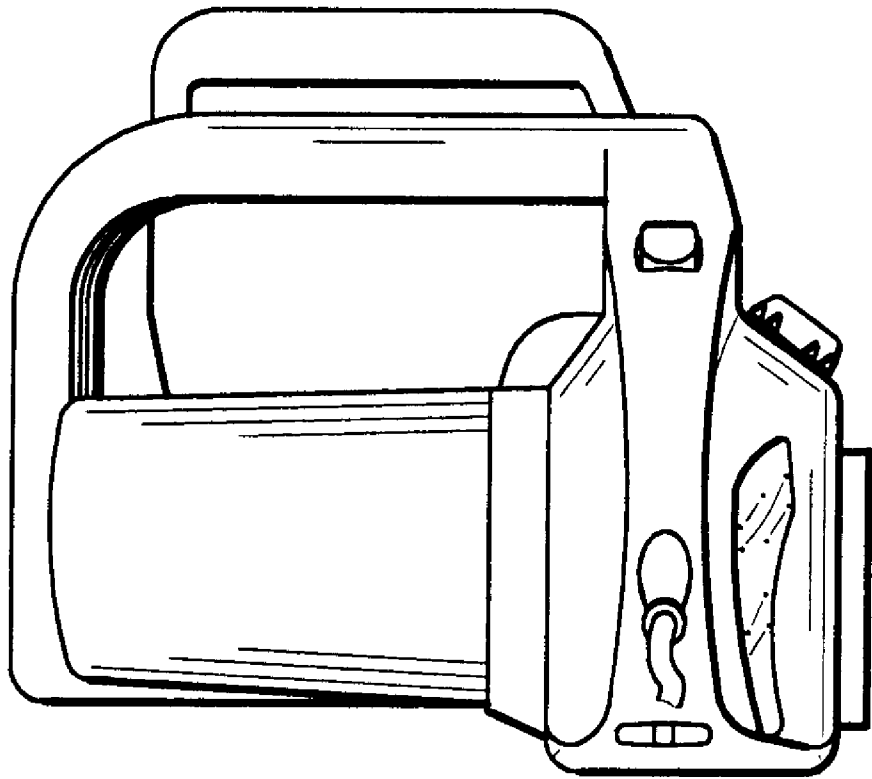


FIG. 4

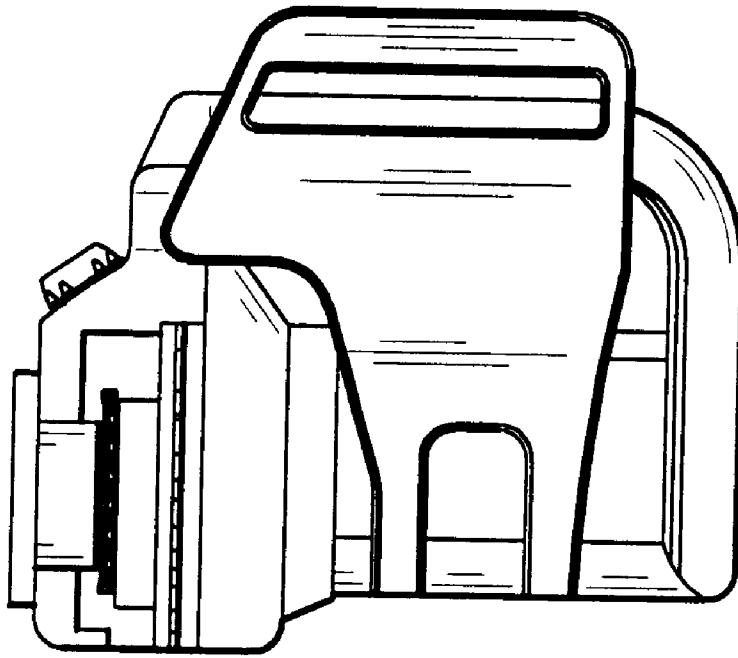


FIG. 5

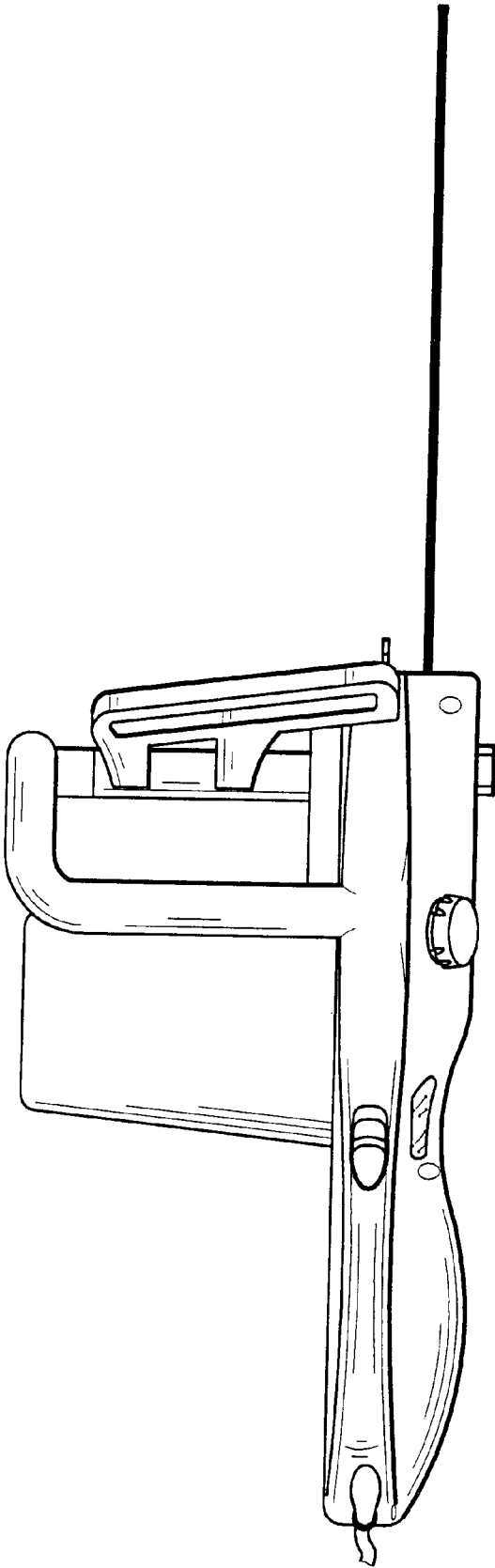


FIG. 6

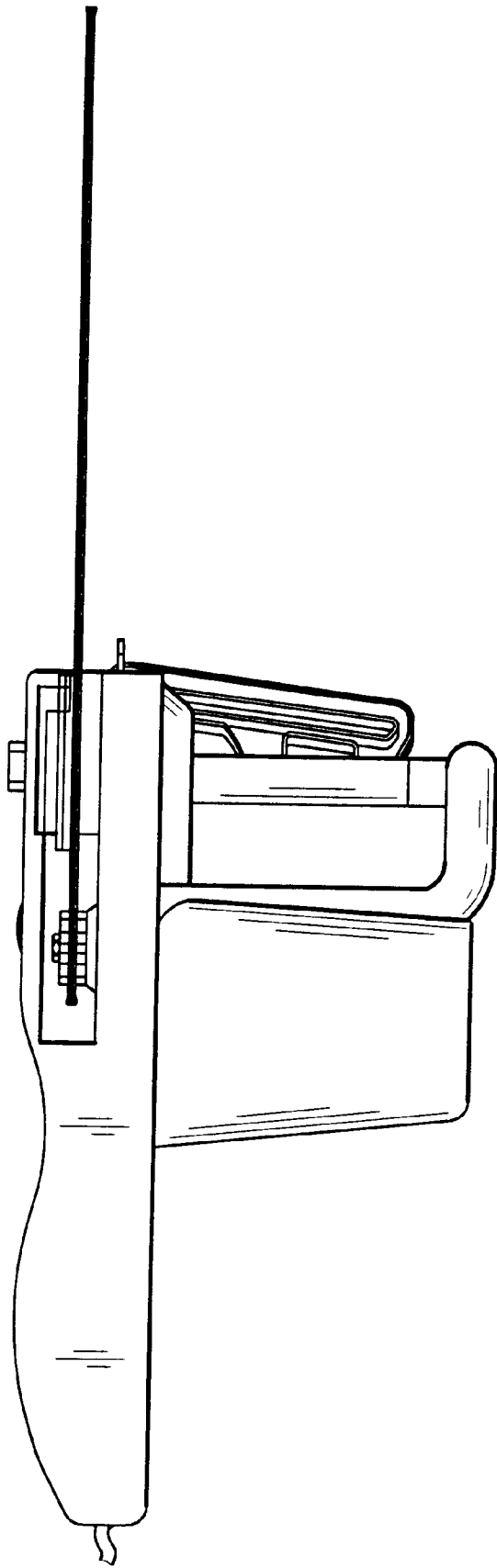


FIG. 7