

(19) World Intellectual Property
Organization
International Bureau



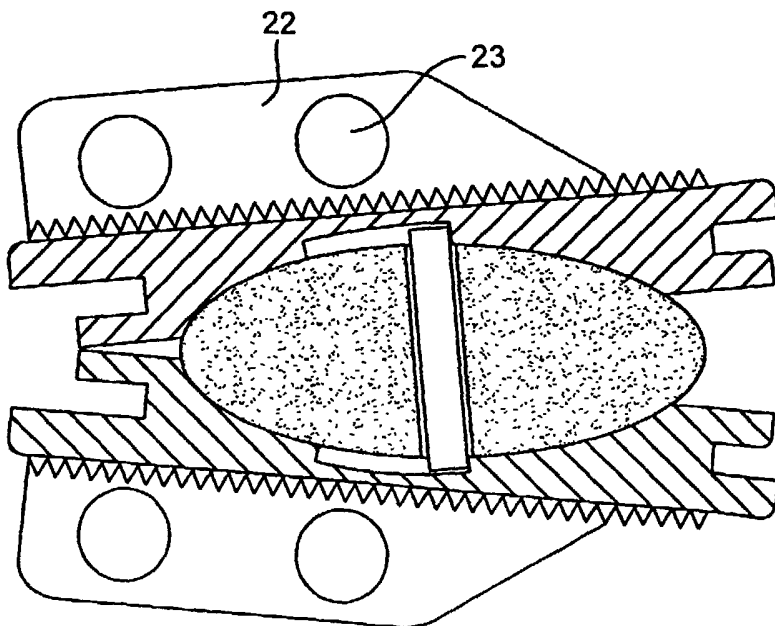
(43) International Publication Date
9 December 2004 (09.12.2004)

PCT

(10) International Publication Number
WO 2004/105638 A3

- (51) International Patent Classification⁷: A61F 2/44
- (21) International Application Number: PCT/US2004/016789
- (22) International Filing Date: 26 May 2004 (26.05.2004)
- (25) Filing Language: English
- (26) Publication Language: English
- (30) Priority Data:
60/473,802 27 May 2003 (27.05.2003) US
60/473,803 27 May 2003 (27.05.2003) US
- (71) Applicant (for all designated States except US): SPINAL-MOTION, INC. [US/US]; 800 West El Camino Real, Suite 180, Mountain View, CA 94040 (US).
- (72) Inventors; and
- (75) Inventors/Applicants (for US only): DE VILLIERS, Malan [ZA/ZA]; Southern Implants Office Park, Building 10, 1 Albert Road, 6931 Irene, Gauteng (ZA). HÄHNLE, Ulrich [ZA/ZA]; 6 Northwold, Saxonwold 2196, 2155 Johannesburg (ZA).
- (74) Agents: SMITH, Scott, M. et al.; TOWNSEND AND TOWNSEND AND CREW LLP, Two Embarcadero Center, 8th Floor, San Francisco, CA 94111-3834 (US).
- (81) Designated States (unless otherwise indicated, for every kind of national protection available): AE, AG, AL, AM, AT, AU, AZ, BA, BB, BG, BR, BW, BY, BZ, CA, CH, CN, CO, CR, CU, CZ, DE, DK, DM, DZ, EC, EE, EG, ES, FI, GB, GD, GE, GH, GM, HR, HU, ID, IL, IN, IS, JP, KE, KG, KP, KR, KZ, LC, LK, LR, LS, LT, LU, LV, MA, MD, MG, MK, MN, MW, MX, MZ, NA, NI, NO, NZ, OM, PG, PH, PL, PT, RO, RU, SC, SD, SE, SG, SK, SL, SY, TJ, TM, TN, TR, TT, TZ, UA, UG, US, UZ, VC, VN, YU, ZA, ZM, ZW.
- (84) Designated States (unless otherwise indicated, for every kind of regional protection available): ARIPO (BW, GH, GM, KE, LS, MW, MZ, NA, SD, SL, SZ, TZ, UG, ZM, ZW), Eurasian (AM, AZ, BY, KG, KZ, MD, RU, TJ, TM), European (AT, BE, BG, CH, CY, CZ, DE, DK, EE, ES, FI, FR, GB, GR, HU, IE, IT, LU, MC, NL, PL, PT, RO, SE, SI, SK, TR), OAPI (BF, BJ, CF, CG, CI, CM, GA, GN, GQ, GW, ML, MR, NE, SN, TD, TG).
- Published:
— with international search report
— before the expiration of the time limit for amending the claims and to be republished in the event of receipt of amendments
- (88) Date of publication of the international search report: 13 January 2005
- For two-letter codes and other abbreviations, refer to the "Guidance Notes on Codes and Abbreviations" appearing at the beginning of each regular issue of the PCT Gazette.

(54) Title: PROSTHETIC DISC FOR INTERVERTEBRAL INSERTION



(57) Abstract: A prosthetic disc (10) for insertion between adjacent vertebrae includes a core (16) having upper and lower curved surfaces (48,50), upper and lower plates (12,14), and peripheral restraining structure (26) on at least one of the upper plate (12) the lower plate (14) and the core (16). Each plate has an outer surface (18), which engages a vertebra and an inner curved surface (24) which slides over the curved surfaces (48,50) of the core (16). The peripheral restraining structure (26) serves to hold the core (16) against a curved surface (24) of at least one of the plates during sliding movement of the plates over the core.

WO 2004/105638 A3

INTERNATIONAL SEARCH REPORT

International application No.

PCT/US04/16789

A. CLASSIFICATION OF SUBJECT MATTER IPC(7) : A61F 2/44 US CL : 623/17.11 According to International Patent Classification (IPC) or to both national classification and IPC		
B. FIELDS SEARCHED Minimum documentation searched (classification system followed by classification symbols) U.S. : 623/17.11,17.12,17.13,17.14,17.15,17.16; 606/61 Documentation searched other than minimum documentation to the extent that such documents are included in the fields searched Electronic data base consulted during the international search (name of data base and, where practicable, search terms used) EAST		
C. DOCUMENTS CONSIDERED TO BE RELEVANT		
Category *	Citation of document, with indication, where appropriate, of the relevant passages	Relevant to claim No.
X	US 5,401,269 A (BUTTNER-JANZ et al.) 20 March 1995 (20.03.1995), See the entire document	1-89,106-116
A	US 4,759,766 A (BUETTNER-JANZ et al.) 26 July 1988 (26.07.1988), See the entire document	1-116
A,P	US 6,645,248 B2 (CASUTT) 11 November 2003 (11.11.2003), See the entire document	1-116
A	US 6,416,551 B1 (KELLER) 09 July 2002 (09.07.2002), See the entire document	1-116
<input type="checkbox"/> Further documents are listed in the continuation of Box C. <input type="checkbox"/> See patent family annex.		
* Special categories of cited documents:		
"A"	document defining the general state of the art which is not considered to be of particular relevance	"T" later document published after the international filing date or priority date and not in conflict with the application but cited to understand the principle or theory underlying the invention
"E"	earlier application or patent published on or after the international filing date	"X" document of particular relevance; the claimed invention cannot be considered novel or cannot be considered to involve an inventive step when the document is taken alone
"L"	document which may throw doubts on priority claim(s) or which is cited to establish the publication date of another citation or other special reason (as specified)	"Y" document of particular relevance; the claimed invention cannot be considered to involve an inventive step when the document is combined with one or more other such documents, such combination being obvious to a person skilled in the art
"O"	document referring to an oral disclosure, use, exhibition or other means	"&" document member of the same patent family
"P"	document published prior to the international filing date but later than the priority date claimed	
Date of the actual completion of the international search		Date of mailing of the international search report
12 October 2004 (12.10.2004)		22 NOV 2004
Name and mailing address of the ISA/US Mail Stop PCT, Attn: ISA/US Commissioner for Patents P.O. Box 1450 Alexandria, Virginia 22313-1450 Facsimile No. (703) 305-3230		Authorized officer <i>Sheila H. Veney</i> Pedro Philogene Paralegal Specialist Telephone No. (703) 308-2252 Tech. Center 3700