



US0D1026886S

(12) **United States Design Patent**
Wu

(10) **Patent No.:** **US D1,026,886 S**

(45) **Date of Patent:** **** May 14, 2024**

(54) **MOBILE PHONE CASE**

(71) Applicant: **Jinhua Chuangke Technology Co., Ltd.**, Zhejiang (CN)

(72) Inventor: **Chunhua Wu**, Zhejiang (CN)

(73) Assignee: **Jinhua Chuangke Technology Co., Ltd.**, Zhejiang (CN)

(**) Term: **15 Years**

(21) Appl. No.: **29/860,332**

(22) Filed: **Nov. 17, 2022**

(51) **LOC (14) Cl.** **14-03**

(52) **U.S. Cl.**
USPC **D14/250**

(58) **Field of Classification Search**
USPC D14/203.3, 203.4, 203.5, 203.6, 203.7,
D14/439, 447, 217, 240, 248, 251, 252,
D14/253, 238.1, 440, 250; D13/103, 107,
D13/108, 119; D3/201, 218, 247, 249,
D3/269, 273, 301, 303
CPC A45C 1/06; A45C 2011/002; A45C 11/00;
A45F 2200/0516; A45F 2200/0525; H04B
1/3888; H04M 1/0202; H04M 1/0283
See application file for complete search history.

(56) **References Cited**

U.S. PATENT DOCUMENTS

D676,036	S	*	2/2013	Chang	D14/250
8,509,865	B1	*	8/2013	LaColla	H04B 1/3888 455/575.8
D694,742	S	*	12/2013	Pan	D14/250
D722,312	S	*	2/2015	Tages	D14/250
D762,200	S	*	7/2016	Pan	D14/250
D776,104	S	*	1/2017	Tien	D14/250
D810,065	S	*	2/2018	Tien	D14/250
D810,066	S	*	2/2018	Tien	D14/250

D844,597	S	*	4/2019	Ahn	D14/250
D851,080	S	*	6/2019	Wei	D14/250
10,334,924	B2	*	7/2019	Wu	H04M 1/185
D896,804	S	*	9/2020	Lin	D14/250
D905,674	S	*	12/2020	Ahn	D14/250
D906,316	S	*	12/2020	Lee	D14/250
D917,445	S	*	4/2021	Li	D14/250
D950,539	S	*	5/2022	Zhang	D14/250
D955,375	S	*	6/2022	Ma	D14/250
D961,573	S	*	8/2022	Lin	D14/250
D972,547	S	*	12/2022	Lee	D14/250
D976,890	S	*	1/2023	Zhu	D14/250
D982,569	S	*	4/2023	Li	D14/250
D989,061	S	*	6/2023	Zhang	D14/250
D999,204	S	*	9/2023	Ye	D14/250
2017/0033824	A1	*	2/2017	Tien	H04B 1/3888

* cited by examiner

Primary Examiner — Carla J Wright

(74) *Attorney, Agent, or Firm* — ScienBiziP, P.C.

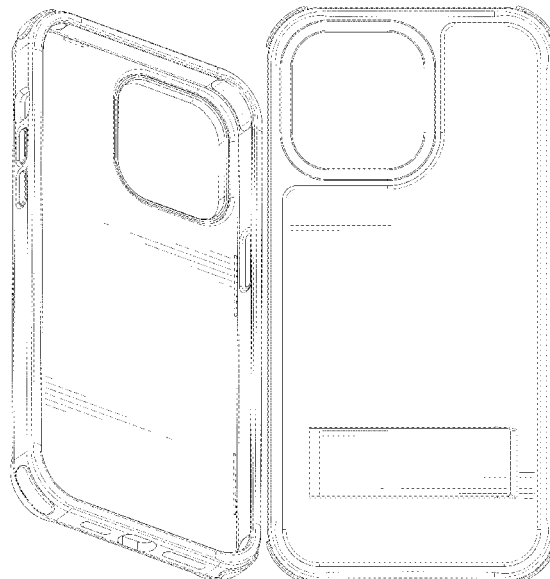
(57) **CLAIM**

The ornamental design for a mobile phone case, as shown and described.

DESCRIPTION

FIG. 1 is a front, left and top perspective view of a mobile phone case, showing my design.
FIG. 2 is a rear, right and bottom perspective view thereof.
FIG. 3 is a front elevation view thereof.
FIG. 4 is a rear elevation view thereof.
FIG. 5 is a left side elevation view thereof.
FIG. 6 is a right side elevation view thereof.
FIG. 7 is a top plan view thereof.
FIG. 8 is a bottom plan view thereof; and,
FIG. 9 is another front, left and top perspective view of the mobile phone case wherein the four elements at the corners are separate from the mobile phone case.
The broken lines depict portions of the mobile phone case that form no part of the claimed design.

1 Claim, 9 Drawing Sheets



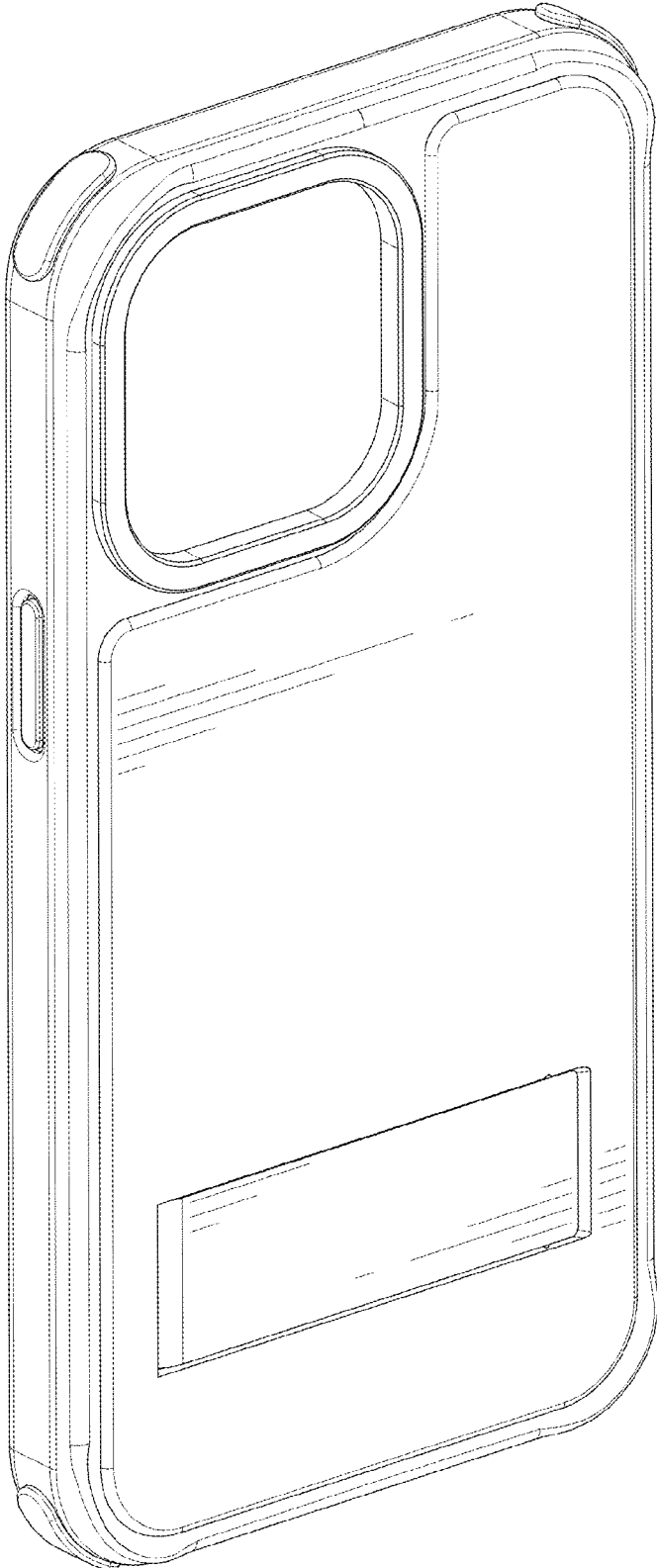


FIG. 1

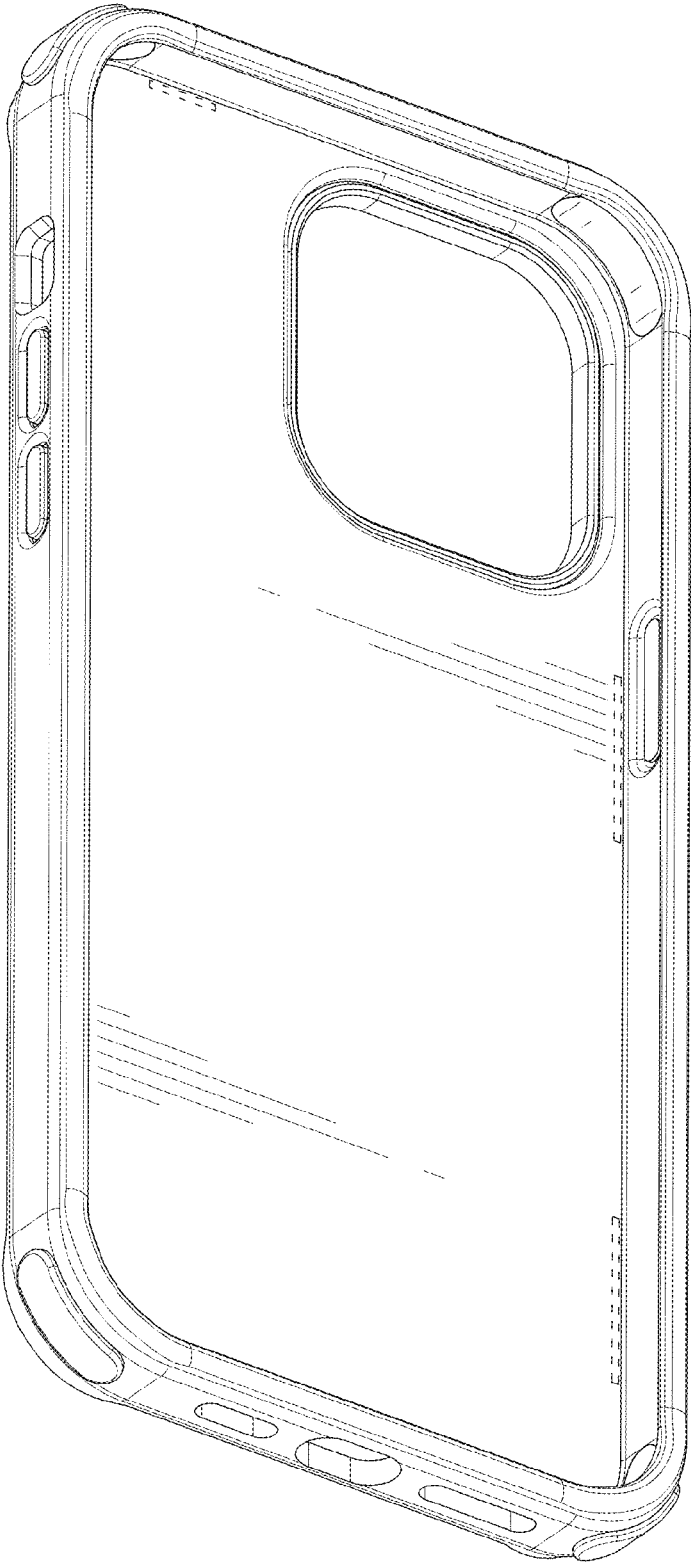


FIG. 2

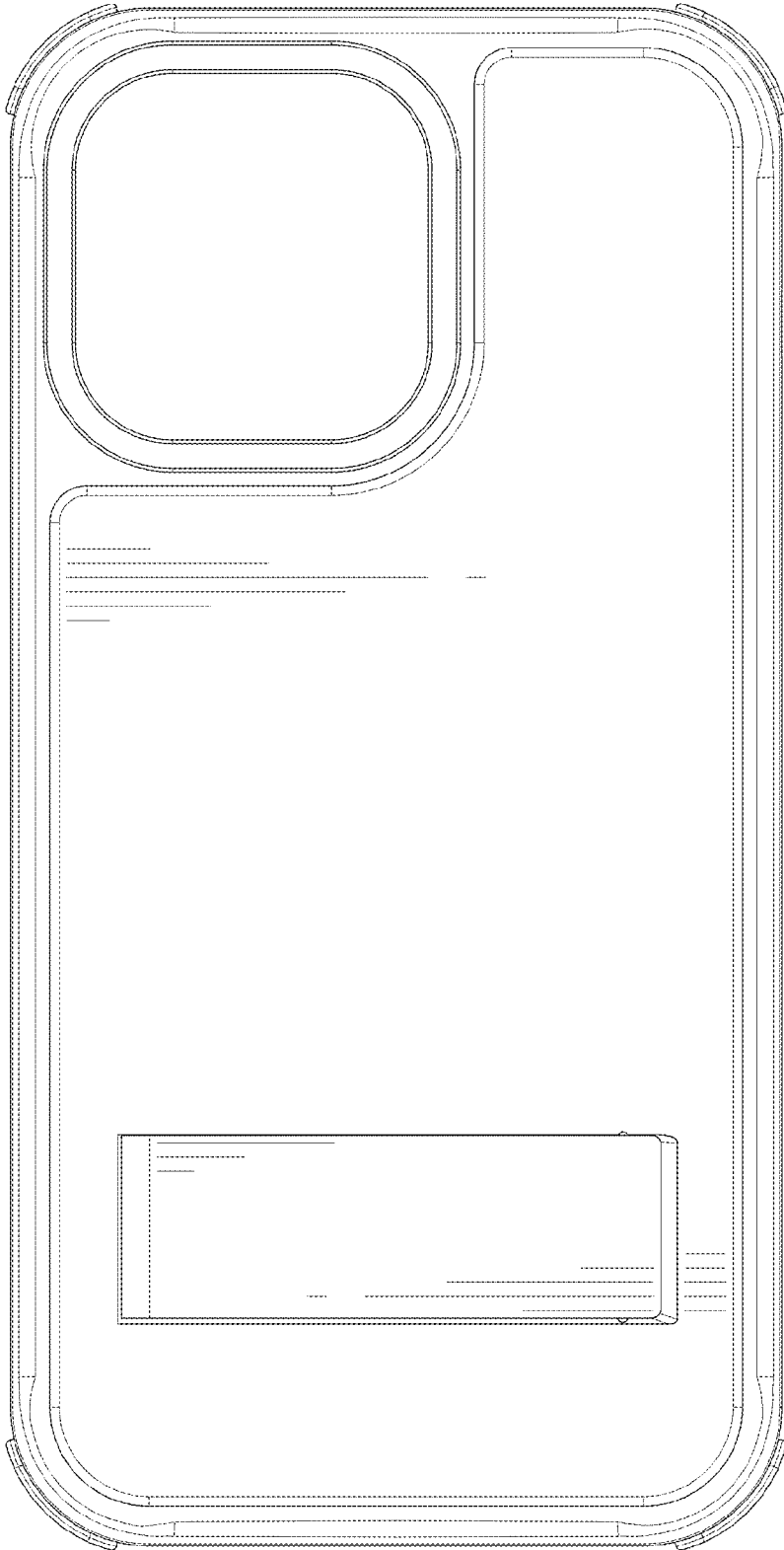


FIG.3

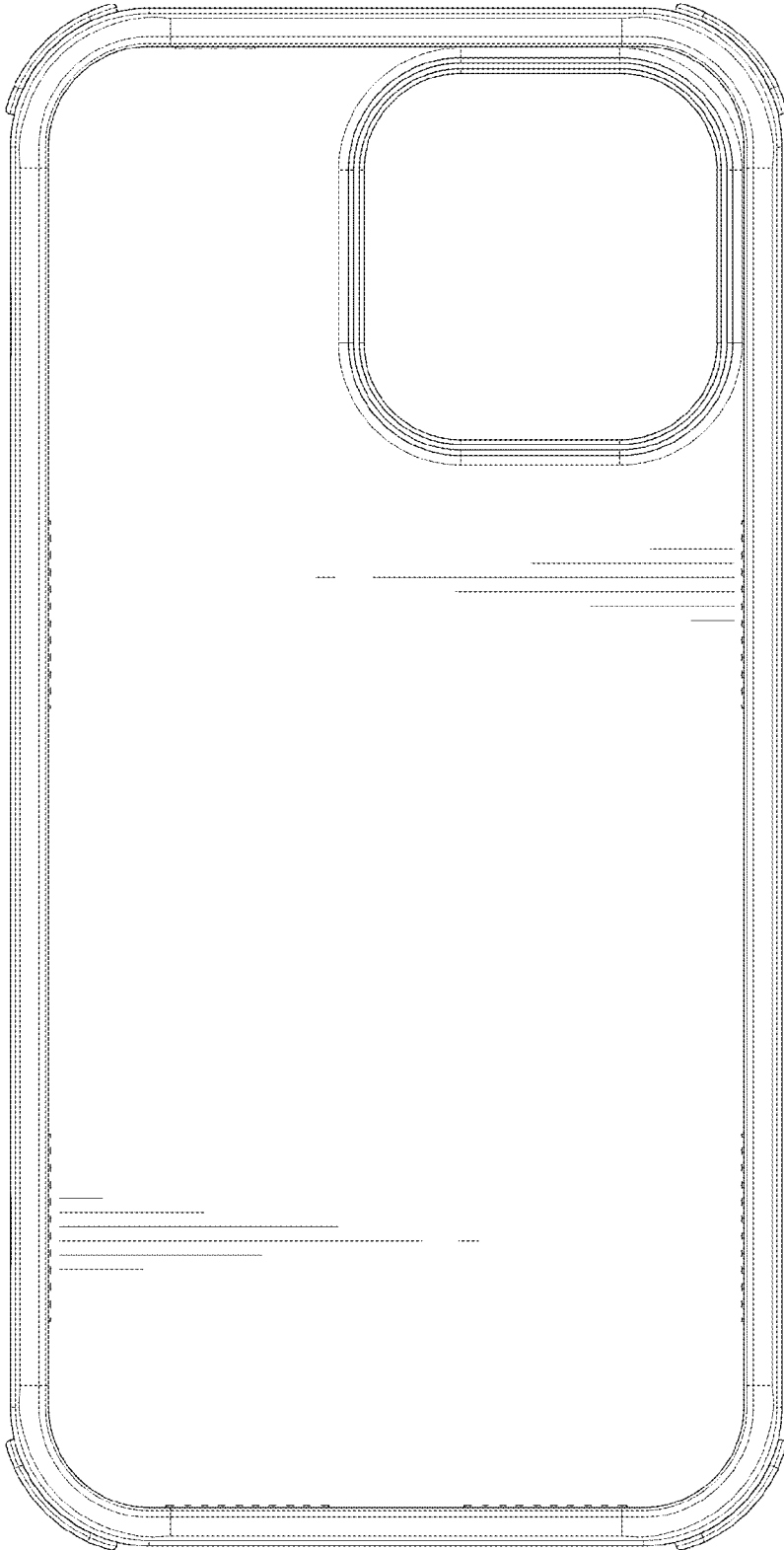


FIG.4

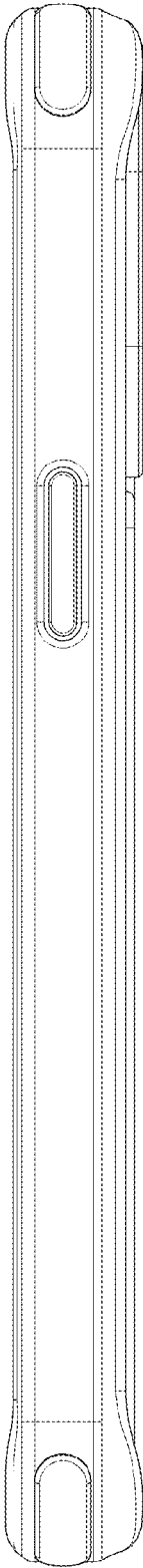


FIG. 5

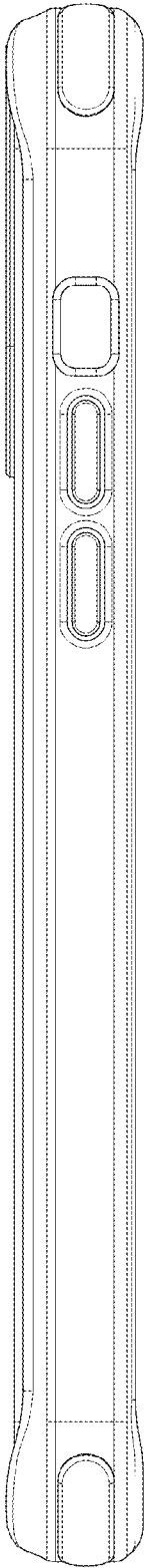


FIG.6

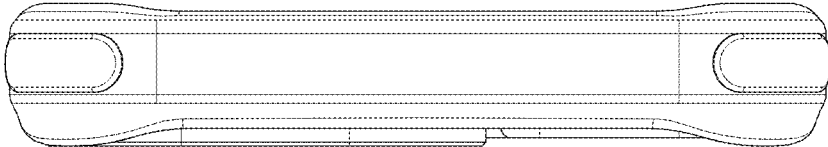


FIG. 7

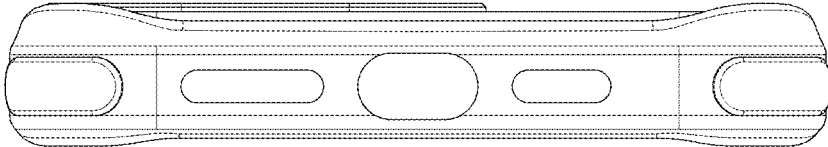


FIG. 8

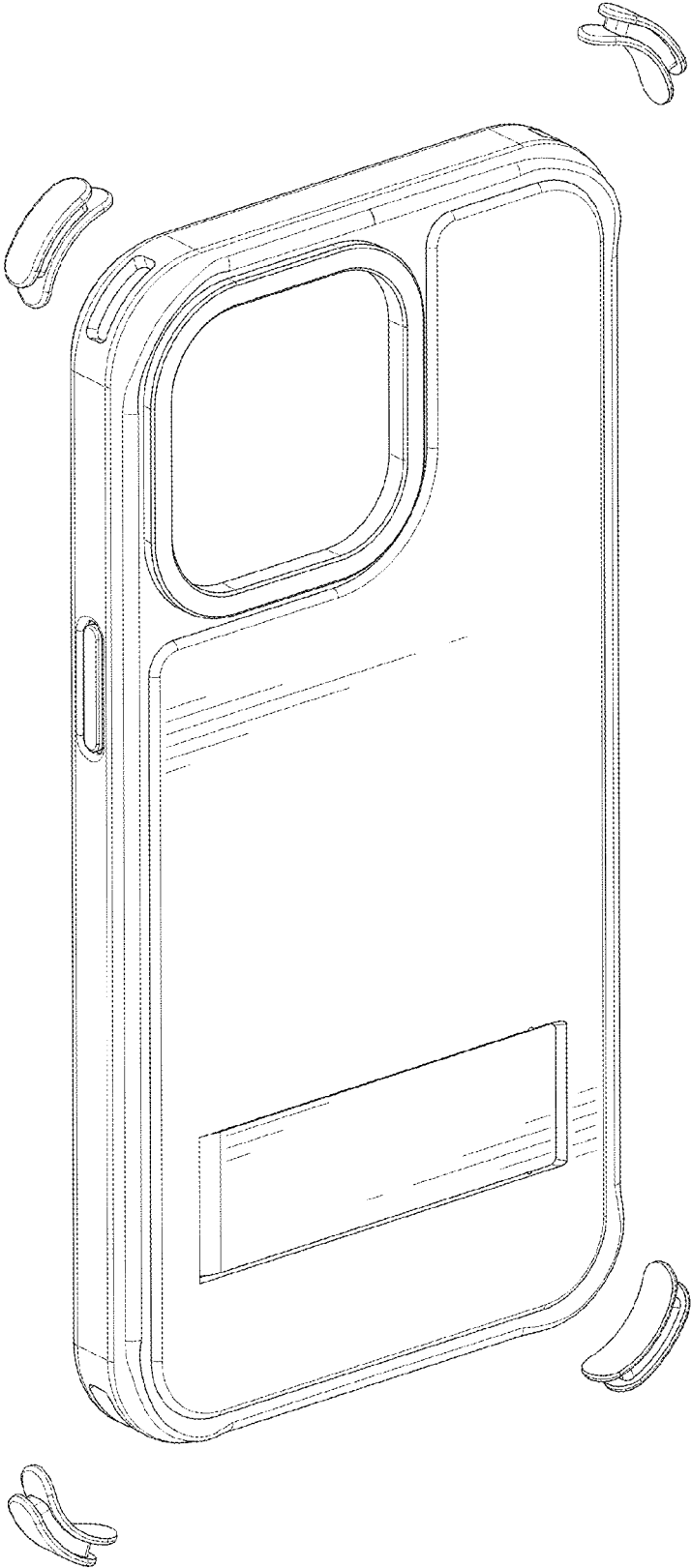


FIG. 9