



US00D541207S

(12) **United States Design Patent**  
**Seidel**

(10) **Patent No.:** **US D541,207 S**

(45) **Date of Patent:** **\*\* Apr. 24, 2007**

(54) **AIRCRAFT WITH HIGH WING**

(75) Inventor: **Gerald E. Seidel**, Renton, WA (US)

(73) Assignee: **The Boeing Company**, Chicago, IL (US)

(\*\*) Term: **14 Years**

(21) Appl. No.: **29/189,740**

(22) Filed: **Sep. 10, 2003**

(51) **LOC (8) Cl.** ..... **12-07**

(52) **U.S. Cl.** ..... **D12/343**

(58) **Field of Classification Search** ..... D12/319-345;  
244/13, 15, 45 A, 45 R, 198, 211, 215

See application file for complete search history.

(56) **References Cited**

**U.S. PATENT DOCUMENTS**

3,289,979 A	*	12/1966	Brunk	.....	244/206
4,638,962 A	*	1/1987	Gunter et al.	.....	244/203
5,201,479 A	*	4/1993	Renzelmann	.....	244/49
6,659,394 B1	*	12/2003	Shenk	.....	244/7 C

\* cited by examiner

*Primary Examiner*—Ian Simmons

*Assistant Examiner*—Maurice Stevens

(74) *Attorney, Agent, or Firm*—Ostrager Chong Flaherty & Broitman P.C.

(57) **CLAIM**

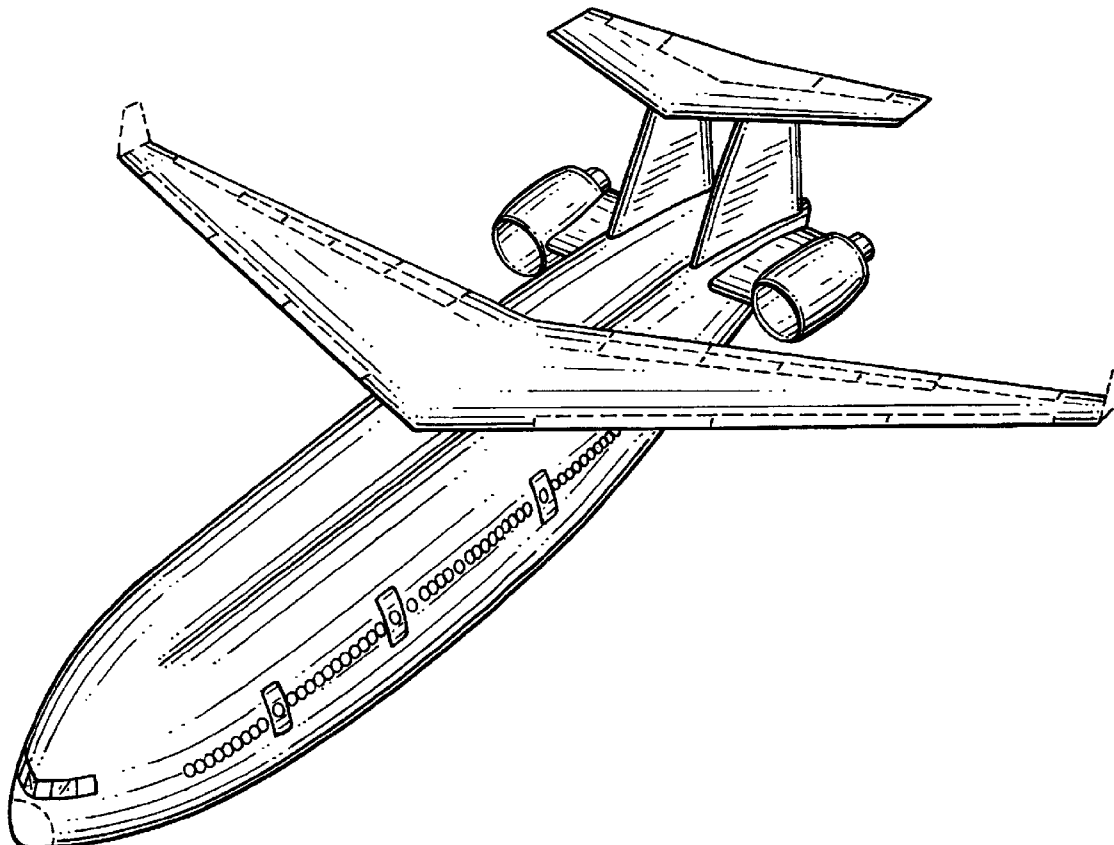
The ornamental design for a aircraft with high wing, as shown and described.

**DESCRIPTION**

FIG. 1 is a perspective view of the aircraft with high wing; FIG. 2 is a top plan view of the aircraft with high wing; FIG. 3 is a bottom plan view of the aircraft with high wing; FIG. 4 is a view of one side of the aircraft with high wing, with the opposite side being a mirror image thereof; FIG. 5 is a front elevational view of the aircraft with high wing; and, FIG. 6 is a rear elevational view of the aircraft with high wing.

The broken line shown in FIGS. 1-3 is included for the purpose of illustrating environment and forms no part of the claimed design.

**1 Claim, 5 Drawing Sheets**



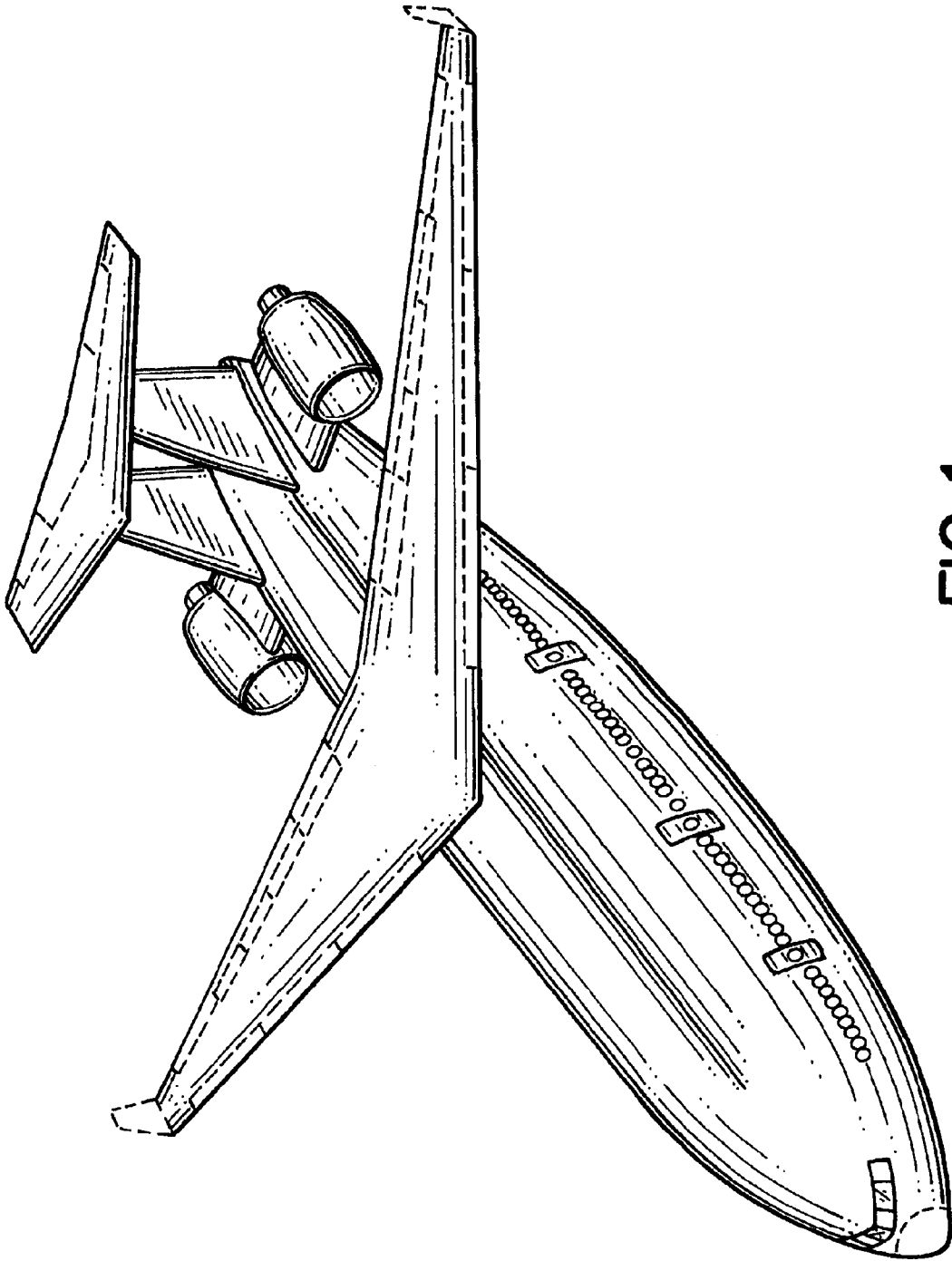


FIG.1

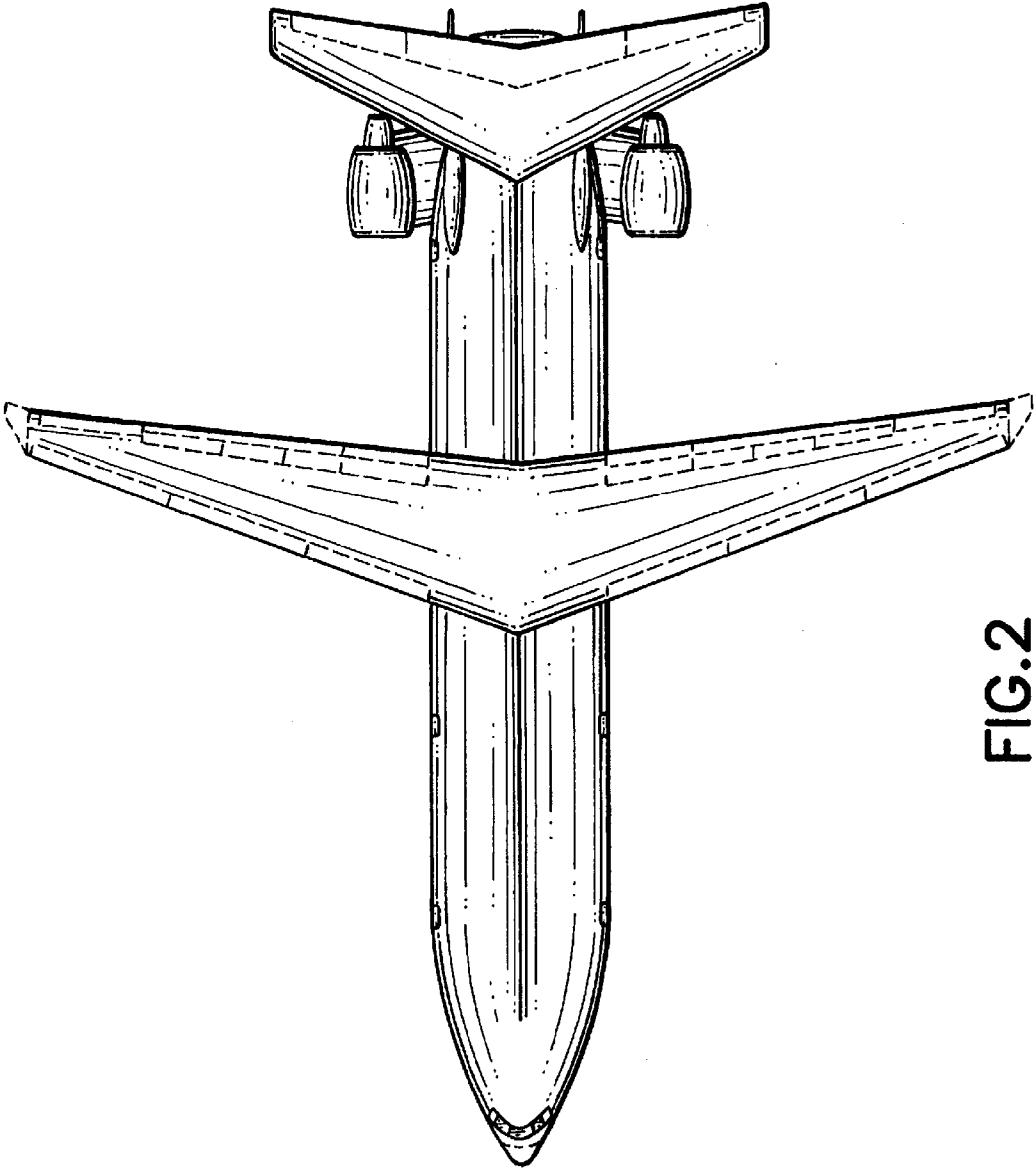


FIG. 2

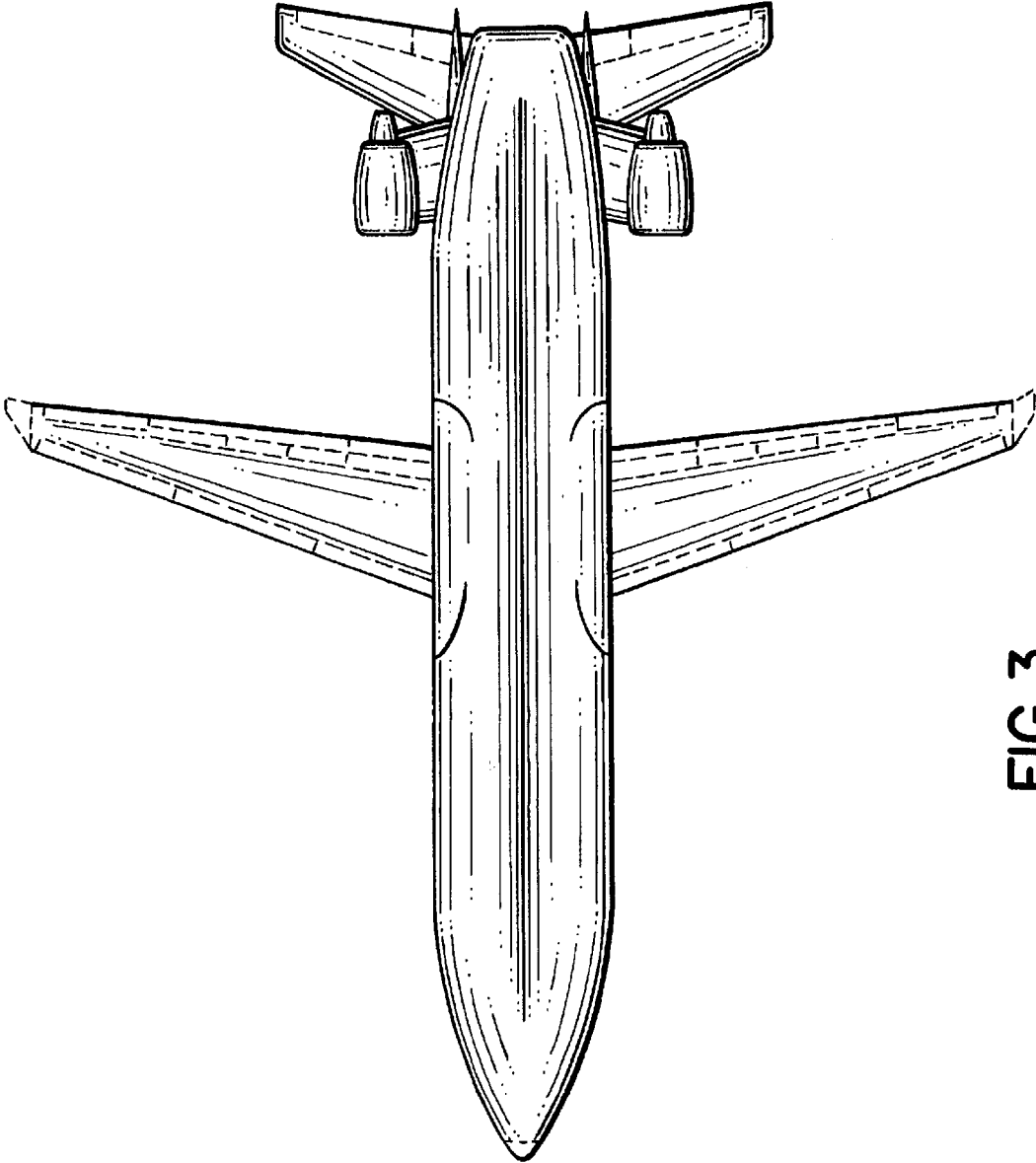


FIG.3

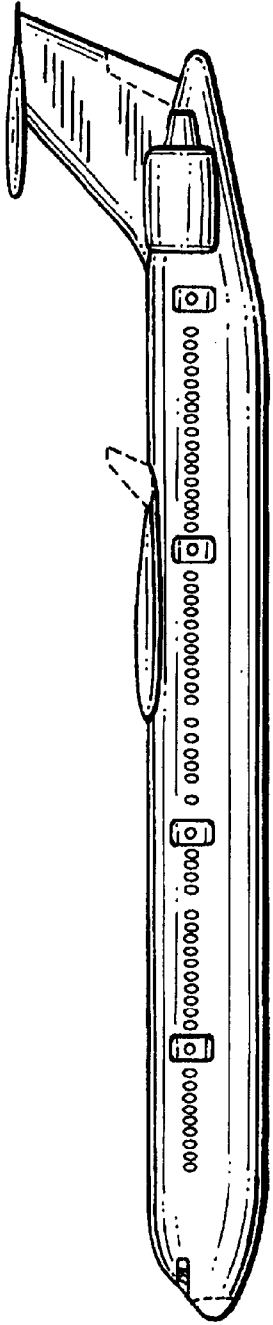


FIG. 4

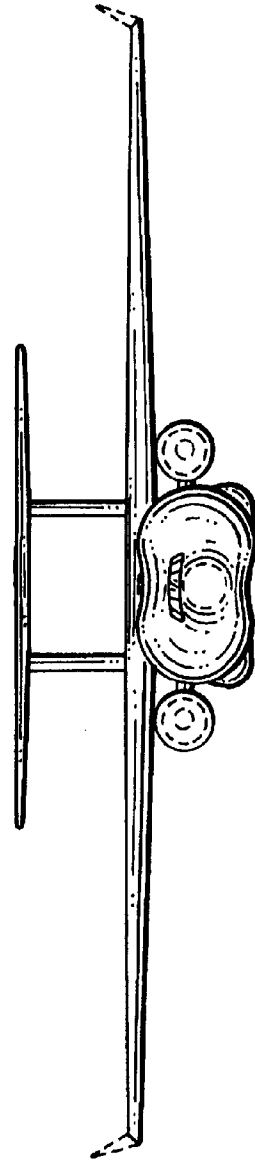


FIG. 5

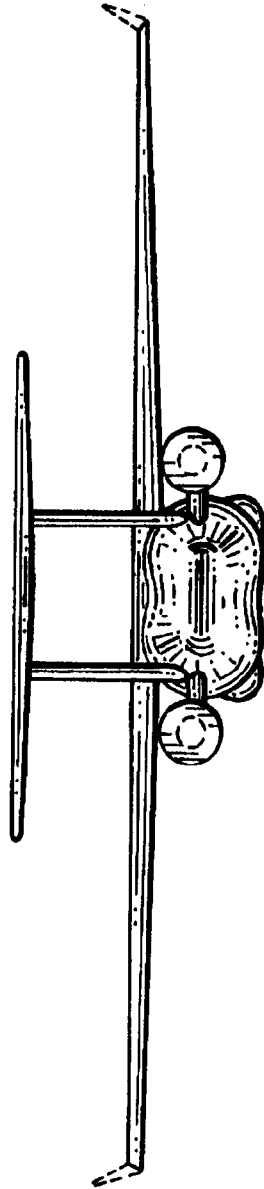


FIG. 6

UNITED STATES PATENT AND TRADEMARK OFFICE  
**CERTIFICATE OF CORRECTION**

PATENT NO. : Des. 541,207 S  
APPLICATION NO. : 29/189740  
DATED : April 24, 2007  
INVENTOR(S) : Gerhard Seidel


Page 1 of 1

It is certified that error appears in the above-identified patent and that said Letters Patent is hereby corrected as shown below:

Title Page; item (75) should read;  
Amend the inventor's first name from "Gerald" to -- Gerhard --.

Signed and Sealed this

Fifth Day of June, 2007

A handwritten signature in black ink on a light gray dotted background. The signature reads "Jon W. Dudas" in a cursive style.

JON W. DUDAS

*Director of the United States Patent and Trademark Office*