



US00D995364S

(12) **United States Design Patent**  
**Zhao et al.**

(10) **Patent No.:** **US D995,364 S**

(45) **Date of Patent:** **\*\* Aug. 15, 2023**

(54) **CHILDREN’S TRICYCLE**  
(71) Applicant: **FUJIAN BESREY BABY PRODUCTS CO., LTD.**, Fuqing (CN)  
(72) Inventors: **Long Zhao**, Fujiang (CN); **Zhenquan Xiao**, Fujian (CN); **Qiang Li**, Fujian (CN)

8,313,118 B2 \* 11/2012 Aiken ..... B62K 9/02  
280/47.11  
8,991,844 B2 \* 3/2015 Bricker ..... B62M 1/38  
280/259  
D735,090 S \* 7/2015 Baron ..... D12/113  
10,336,394 B2 \* 7/2019 Fitzwater ..... B62B 7/044  
10,501,141 B2 \* 12/2019 Cohen ..... B62J 27/30  
D920,170 S \* 5/2021 Mazar ..... D12/112

(73) Assignee: **FUJIAN BESREY BABY PRODUCTS CO., LTD.**, Fuqing (CN)

(\*\*) Term: **15 Years**

(21) Appl. No.: **29/743,135**

(22) Filed: **Jul. 20, 2020**

(30) **Foreign Application Priority Data**

Jun. 30, 2020 (CN) ..... 202030343531.7

(51) **LOC (14) Cl.** ..... **12-11**

(52) **U.S. Cl.**  
USPC ..... **D12/112**

(58) **Field of Classification Search**  
USPC ..... D12/112, 113; D21/435  
CPC ... B62J 9/02; B62K 9/02; B62K 15/00; B62K 15/008; B62K 21/00  
See application file for complete search history.

(56) **References Cited**

**U.S. PATENT DOCUMENTS**

D525,568 S \* 7/2006 Baron ..... D12/112  
D555,045 S \* 11/2007 On ..... D12/112  
D571,866 S \* 6/2008 On ..... D21/435  
D604,777 S \* 11/2009 On ..... D12/112  
D627,265 S \* 11/2010 On ..... D12/112  
D659,056 S \* 5/2012 Bricker ..... D12/112

**OTHER PUBLICATIONS**

“Baby Tricycle—Besrey 8-in-1 Baby Trike” Besrey., posted date Sep. 8, 2020 [online], [retrieved on Feb. 23, 2023]. Retrieved from the Internet <URL: <https://www.amazon.com/besrey-Tricycle-Rotating-Reclining-Children/dp/B07MSM3R7H>> (Year: 2020).\*

(Continued)

*Primary Examiner* — Darlington Ly

*Assistant Examiner* — Nasim Abdulaziz Ali

(74) *Attorney, Agent, or Firm* — Bayramoglu Law Offices LLC

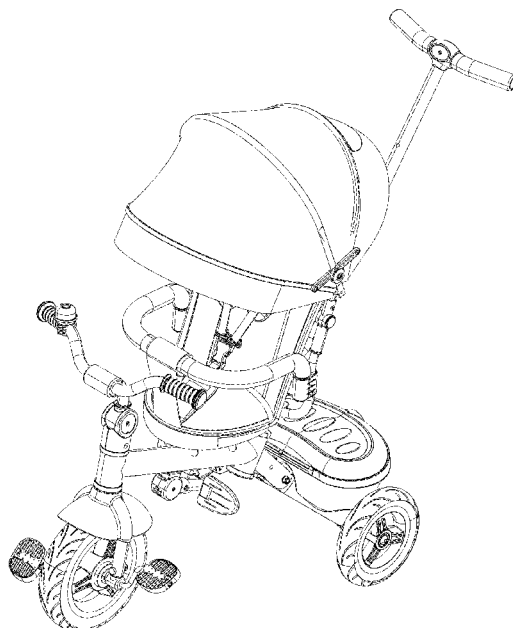
(57) **CLAIM**

The ornamental design for a children’s tricycle, as shown and described.

**DESCRIPTION**

FIG. 1 is a front perspective view of a children’s tricycle showing our new design;  
FIG. 2 is a rear perspective view thereof;  
FIG. 3 is a front elevational view thereof;  
FIG. 4 is a rear elevational view thereof;  
FIG. 5 is a left side elevational view thereof;  
FIG. 6 is a right side elevational view thereof; and,  
FIG. 7 is a top plan view thereof.  
The broken lines depict portions of the children’s tricycle that form no part of the claimed design.

**1 Claim, 7 Drawing Sheets**



(56)

**References Cited**

OTHER PUBLICATIONS

“Bentley 6-in-1 Stroller/Trike” Bentley., posted date Jul. 11, 2020 [online], [retrieved on Feb. 23, 2023]. Retrieved from the Internet <URL: <https://www.nordstrom.com/s/posh-baby-and-kids-posh-baby-kids-bentley-6-in-1-stroller-trike/5117892>> (Year: 2020).\*

“Joovy 4.1 Kids Tricycle with 4-Stages” Joovy., posted date May 18, 2020 [online], [retrieved on Feb. 23, 2023]. Retrieved from the Internet <URL: <https://www.amazon.com/Joovy-Extra-Wide-Adjustable-Machine-Washable-Retractable/dp/B01IHXX0KI>> (Year: 2020).\*

\* cited by examiner

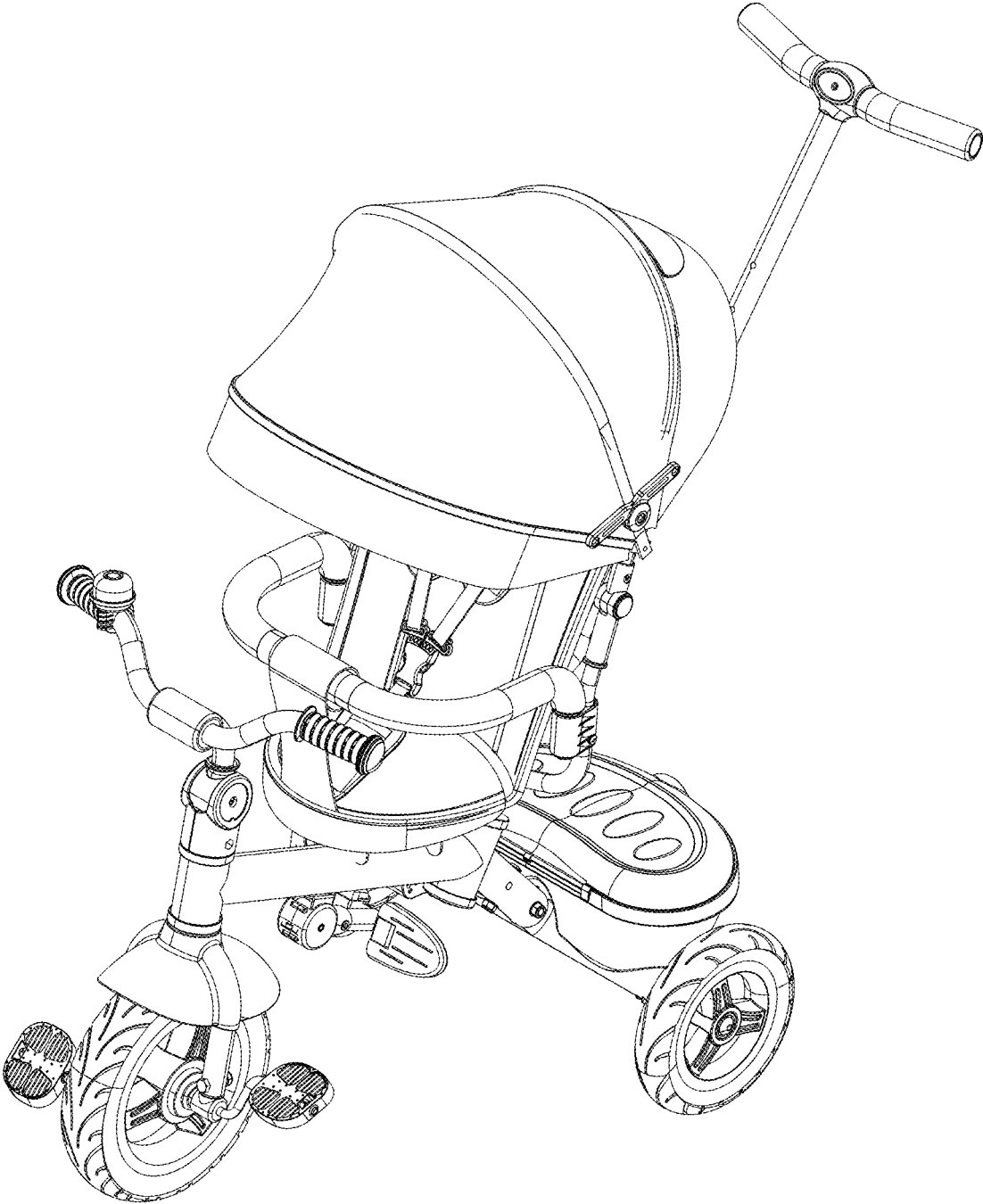


FIG. 1

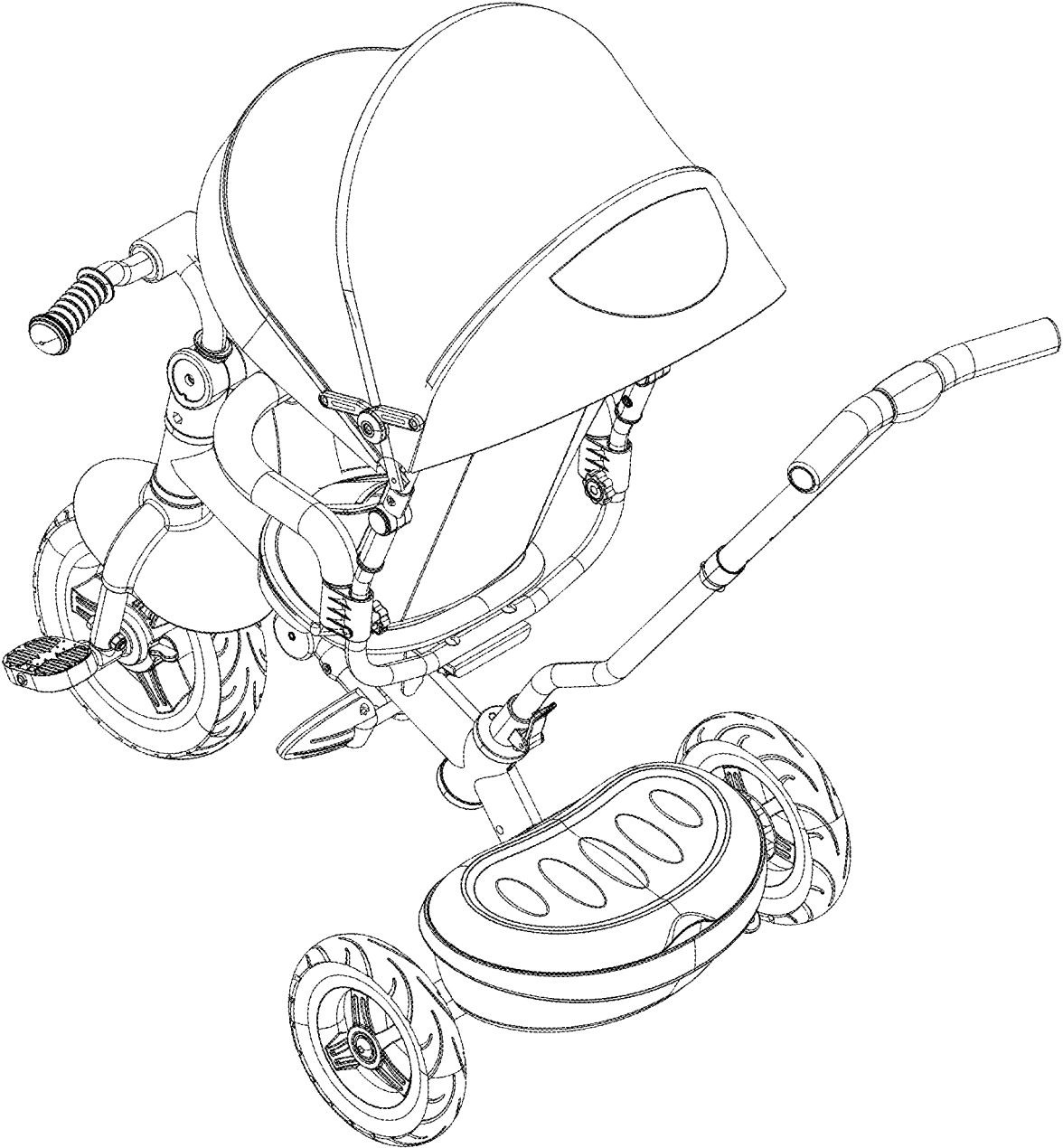


FIG. 2

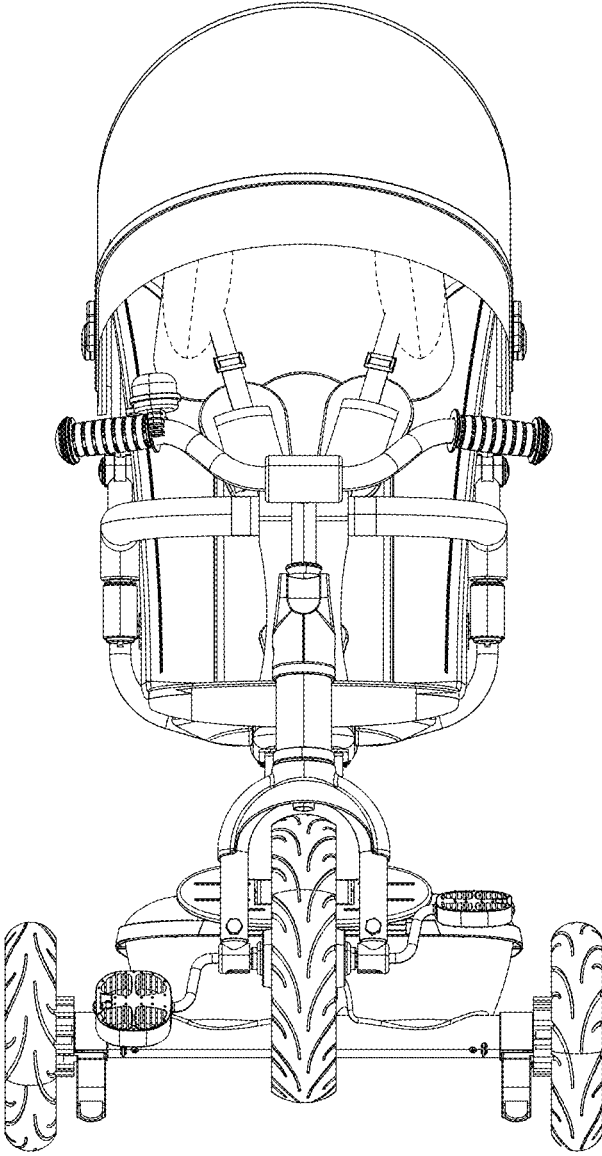


FIG. 3

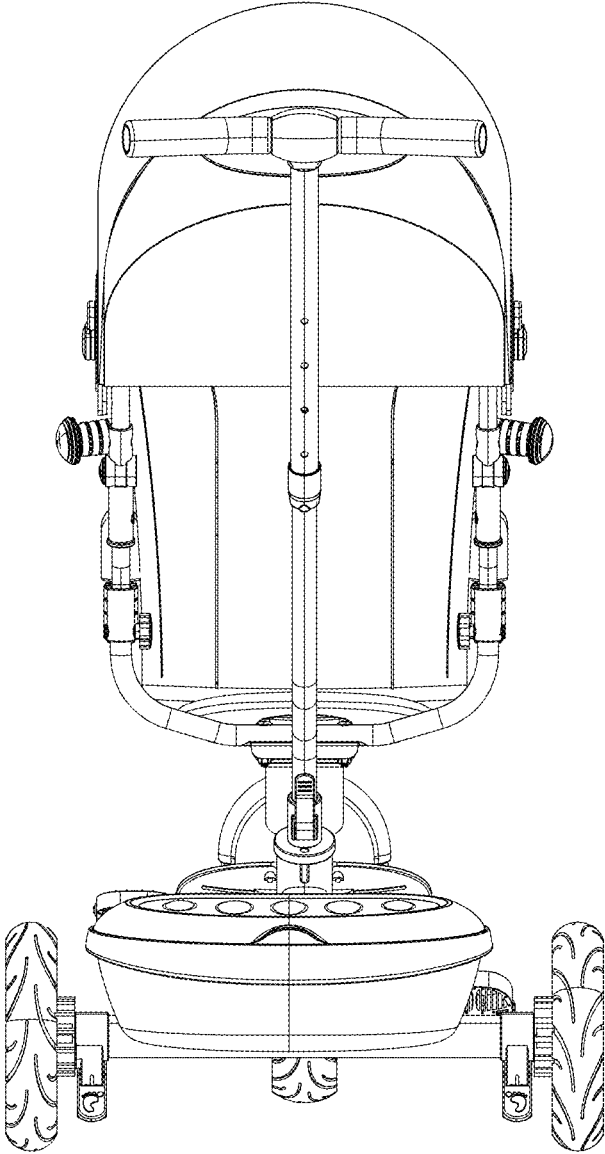


FIG. 4

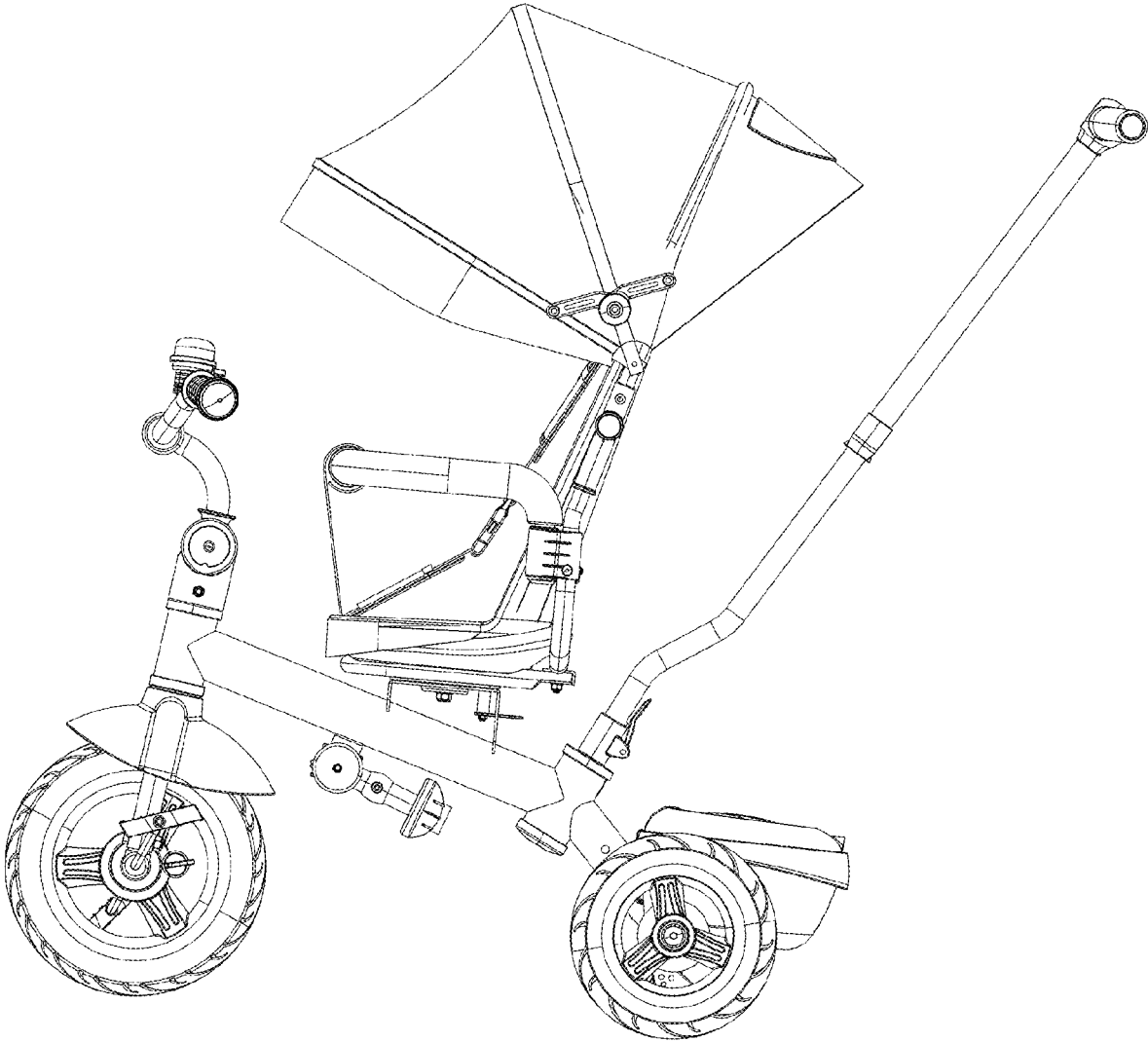


FIG. 5

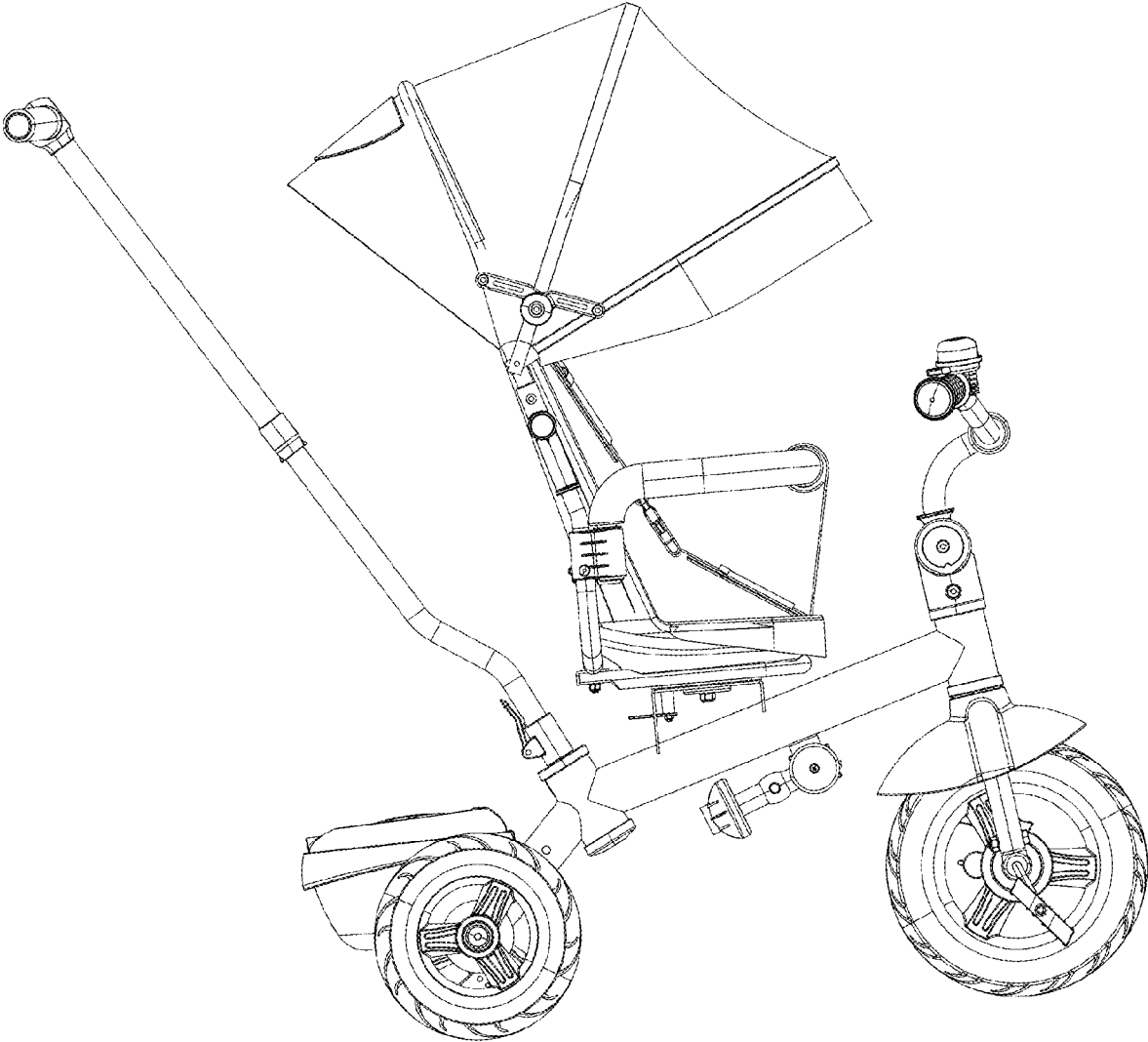


FIG. 6



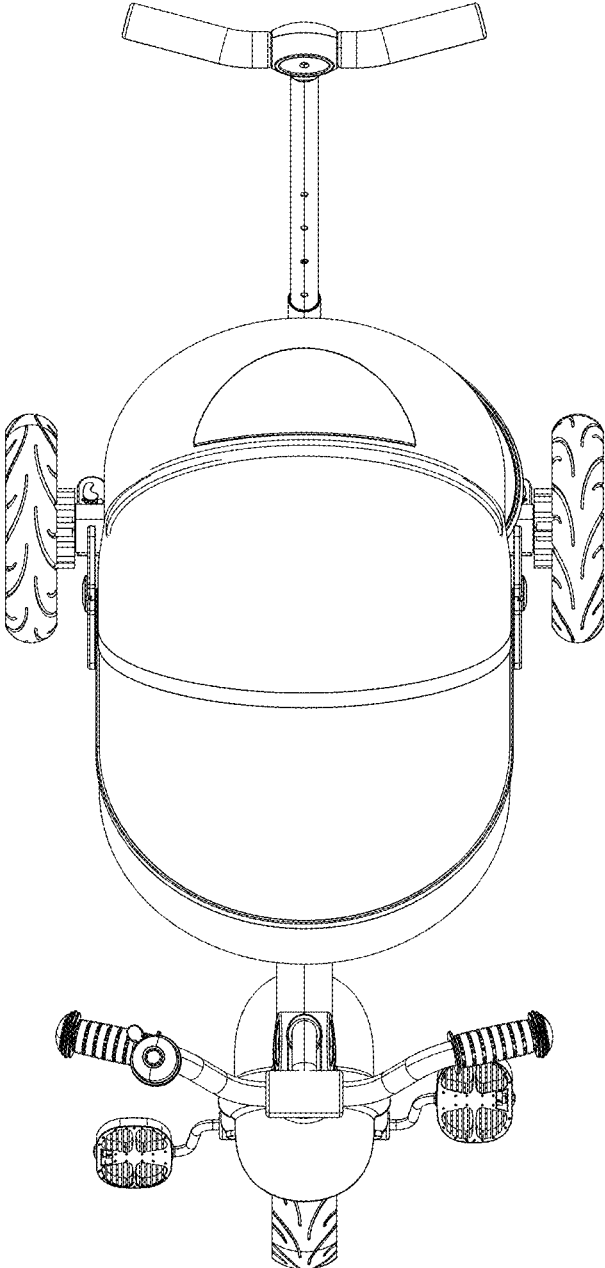


FIG. 7