



US00D627311S

(12) **United States Design Patent**
Lai et al.

(10) **Patent No.:** **US D627,311 S**

(45) **Date of Patent:** **** Nov. 16, 2010**

(54) **LIGHT-EMITTING DIODE**

(75) Inventors: **Chih-Ming Lai**, Miao-Li Hsien (TW);
Ming-Young Shiao, Miao-Li Hsien
(TW); **Hong-Bin Yang**, Miao-Li Hsien
(TW)

(73) Assignee: **Foxsemicon Integrated Technology,
Inc.**, Chu-Nan, Miao-Li Hsien (TW)

(**) Term: **14 Years**

(21) Appl. No.: **29/358,941**

(22) Filed: **Apr. 2, 2010**

(30) **Foreign Application Priority Data**

Feb. 1, 2010 (CN) 2010 3 0302898

(51) **LOC (9) Cl.** **13-03**

(52) **U.S. Cl.** **D13/180**

(58) **Field of Classification Search** D13/180;
D26/2; 257/79, 80, 81, 88, 89, 95, 98, 99,
257/100, E33.058; 313/483, 498, 500; 362/555,
362/800

See application file for complete search history.

(56) **References Cited**

U.S. PATENT DOCUMENTS

6,376,902 B1 *	4/2002	Arndt	257/678
D471,166 S *	3/2003	Oshio et al.	D13/182
6,686,609 B1 *	2/2004	Sung	257/100
D488,137 S *	4/2004	Kamada	D13/182
D491,899 S *	6/2004	Yagi	D13/180
D494,550 S *	8/2004	Hoshiba	D13/180
D495,304 S *	8/2004	Kim et al.	D13/180
D505,398 S *	5/2005	Nakashima	D13/180
D510,913 S *	10/2005	Sumitani	D13/180
7,102,213 B2 *	9/2006	Sorg	257/667
7,176,612 B2 *	2/2007	Omoto et al.	313/487
D568,261 S *	5/2008	Lee et al.	D13/180
7,385,227 B2 *	6/2008	Mok et al.	257/98
D576,966 S *	9/2008	Ng et al.	D13/180
7,514,724 B2 *	4/2009	Ng et al.	257/99

7,547,583 B2 *	6/2009	Ng et al.	438/123
D599,749 S *	9/2009	Bando	D13/180
D602,451 S *	10/2009	Gielen	D13/180
7,635,915 B2 *	12/2009	Xie et al.	257/692
D611,011 S *	3/2010	Ariizumi	D13/180
7,675,145 B2 *	3/2010	Wong et al.	257/676
7,696,526 B2 *	4/2010	Tay et al.	257/99
7,719,024 B2 *	5/2010	Bando	257/99
D621,800 S *	8/2010	Hsieh	D13/180

(Continued)

Primary Examiner—Selina Sikder

(74) *Attorney, Agent, or Firm*—Raymond J. Chew

(57) **CLAIM**

The ornamental design for a light-emitting diode, as shown and described.

DESCRIPTION

FIG. 1 is a perspective view of a light-emitting diode showing our new design.

FIG. 2 is a front elevational view of the light-emitting diode of FIG. 1.

FIG. 3 is a rear elevational view of the light-emitting diode of FIG. 1.

FIG. 4 is a left-side, elevational view of the light-emitting diode of FIG. 1.

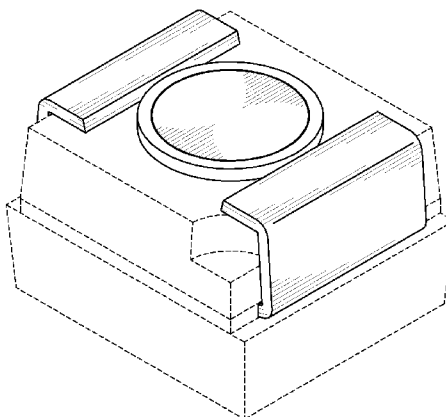
FIG. 5 is a right-side, elevational view of the light-emitting diode of FIG. 1.

FIG. 6 is a top plan view of the light-emitting diode of FIG. 1; and,

FIG. 7 is a bottom plan view of the light-emitting diode of FIG. 1.

The broken line showing of the environment is for illustrative purpose only and forms no part of the claimed design.

1 Claim, 7 Drawing Sheets



US D627,311 S

Page 2

U.S. PATENT DOCUMENTS

2002/0163001	A1 *	11/2002	Shaddock	257/79	2006/0163705	A1 *	7/2006	Kamikawa et al.	257/676
2004/0201028	A1 *	10/2004	Waitl et al.	257/99	2007/0145403	A1 *	6/2007	Tomioka et al.	257/99
2005/0127816	A1 *	6/2005	Sumitani	313/498	2007/0252250	A1 *	11/2007	Hui et al.	257/672

* cited by examiner

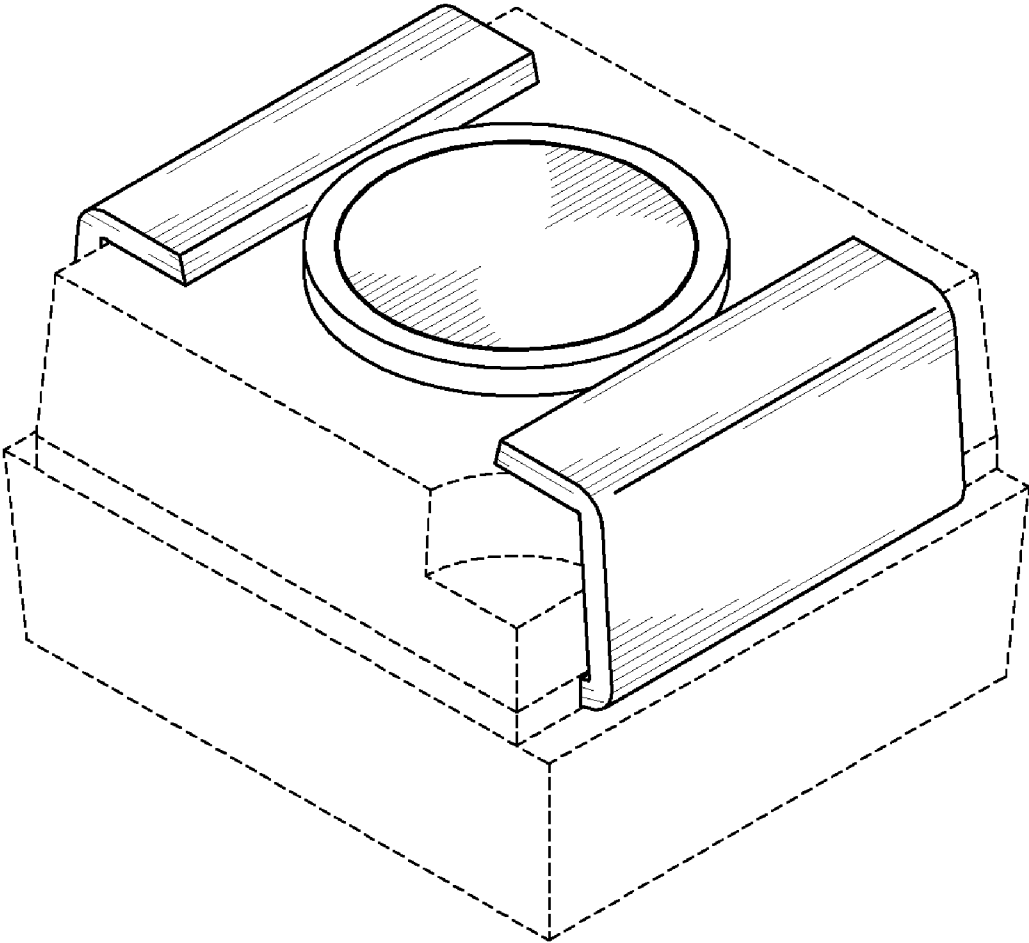


FIG. 1

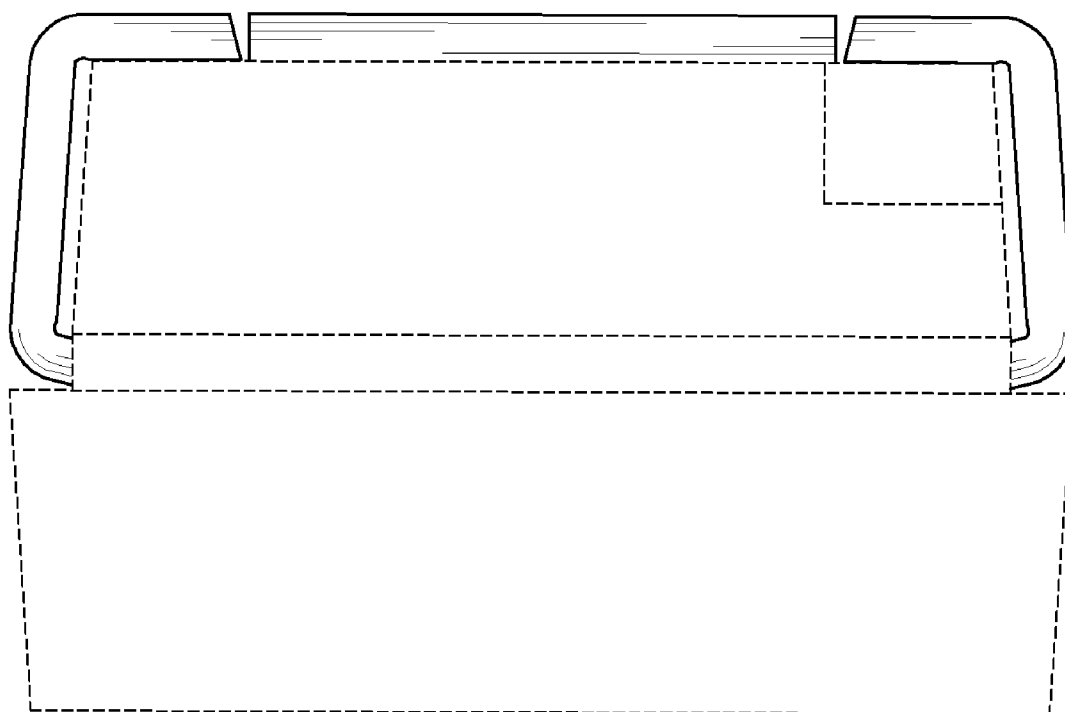


FIG. 2

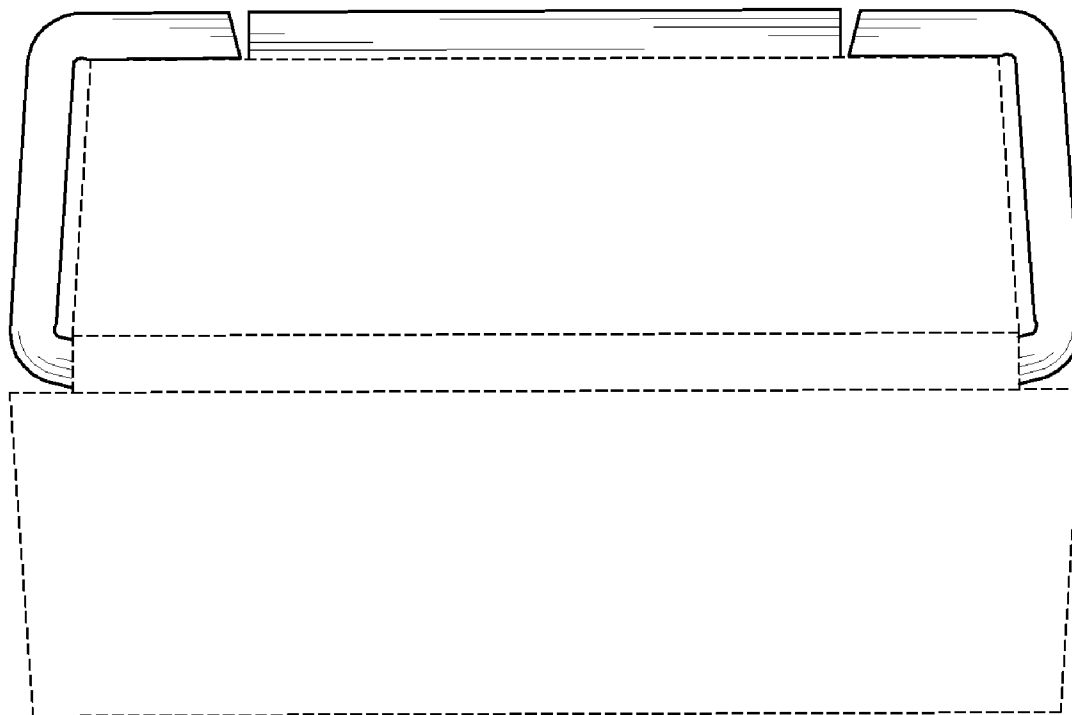


FIG. 3

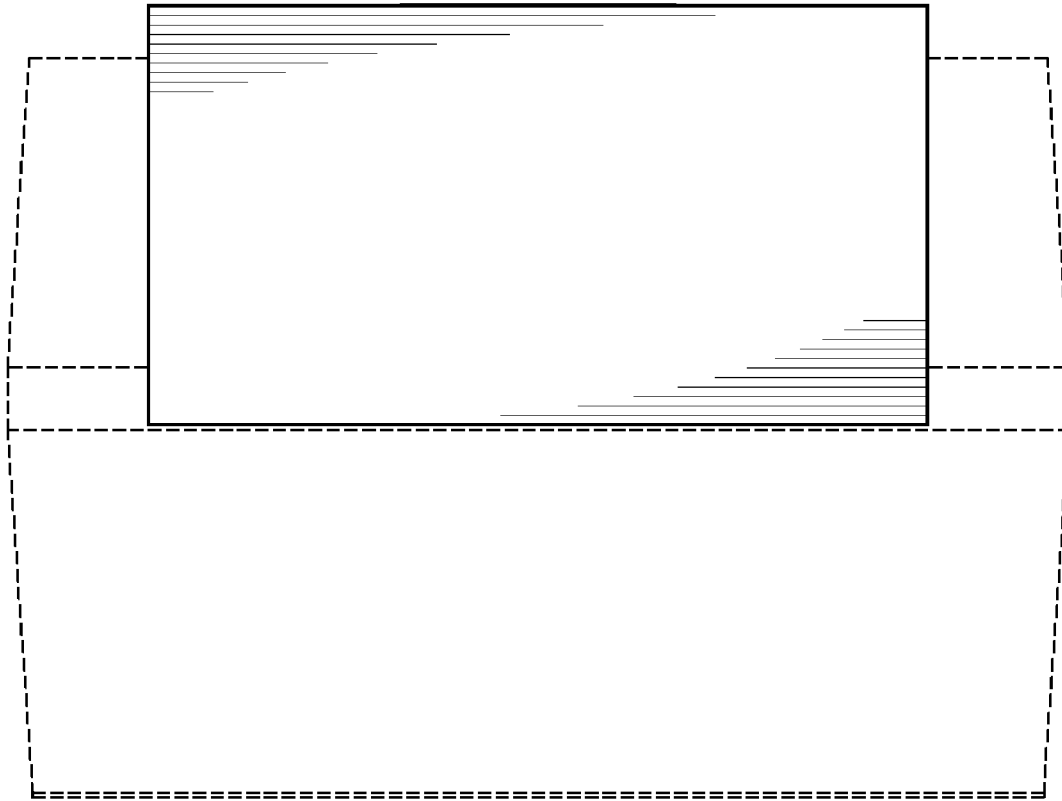


FIG. 4

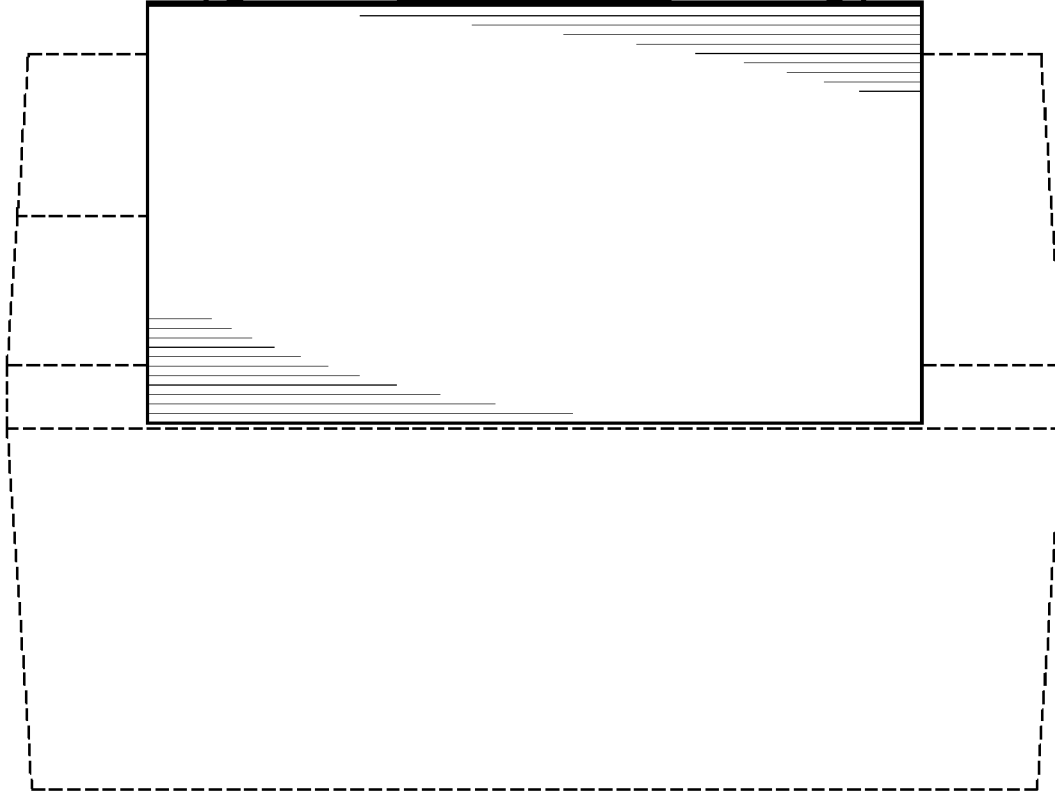


FIG. 5

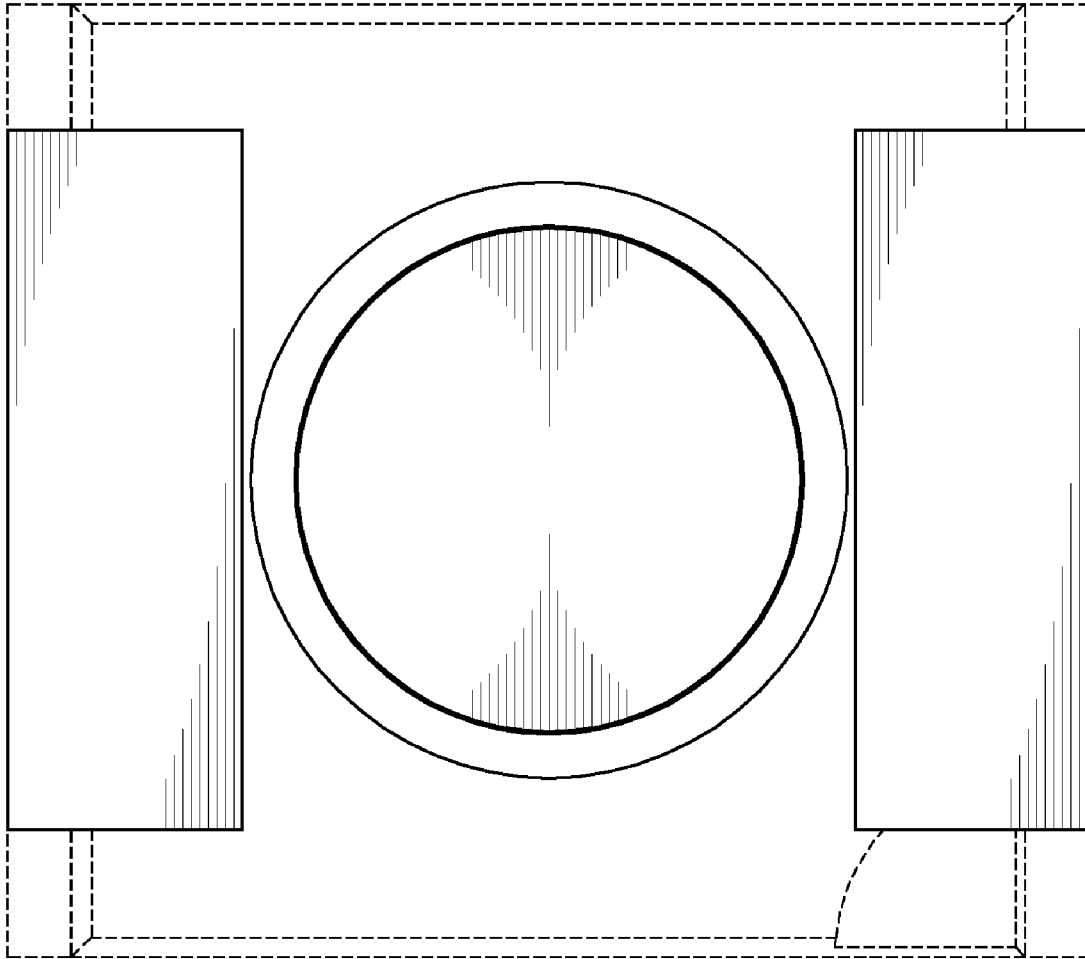


FIG. 6

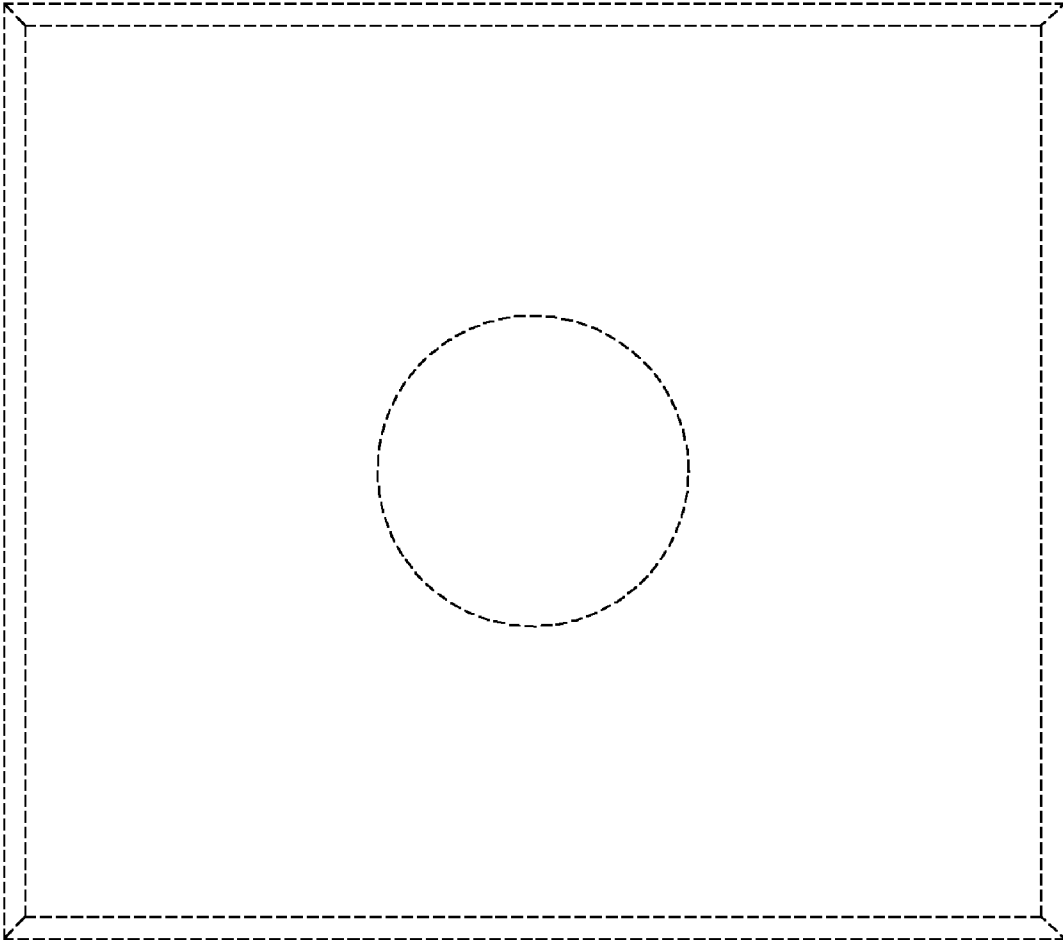


FIG. 7