



US00D827573S

(12) **United States Design Patent**  
**Petty**

(10) **Patent No.:** **US D827,573 S**

(45) **Date of Patent:** **\*\* Sep. 4, 2018**

- (54) **CLAMPING HUB**
- (71) Applicant: **ROBOTZONE, LLC**, Winfield, KS (US)
- (72) Inventor: **Brian T. Petty**, Winfield, KS (US)
- (73) Assignee: **Robotzone, LLC**, Winfield, KS (US)
- (\*\*) Term: **15 Years**
- (21) Appl. No.: **29/584,445**

D438,173 S *	2/2001	Liang	.....	D13/120
D438,783 S *	3/2001	Elliott	.....	F16L 23/10
				D8/396
D451,071 S *	11/2001	Liang	.....	D13/120
D451,470 S *	12/2001	Liang	.....	D13/120
6,364,720 B1 *	4/2002	Liang	.....	H01R 11/281
				439/462
D461,766 S *	8/2002	Liang	.....	D13/120
D461,768 S *	8/2002	Liang	.....	D13/120
D462,052 S *	8/2002	Liang	.....	D13/120
D462,322 S *	9/2002	Liang	.....	D13/120
D471,519 S *	3/2003	Liang	.....	D13/120
D471,520 S *	3/2003	Liang	.....	D13/120

(Continued)

- (22) Filed: **Nov. 15, 2016**
- (51) **LOC (11) Cl.** ..... **13-02**
- (52) **U.S. Cl.**  
USPC ..... **D13/120**; D8/396
- (58) **Field of Classification Search**  
USPC ..... D8/22, 24, 25, 72, 73, 349, 355, 356,  
D8/382, 383, 394, 396; D15/199;  
D16/237, 240; D13/120  
CPC ..... F16D 1/00; F16D 1/06; F16D 1/08; F16D  
1/0852; F16D 1/0864  
See application file for complete search history.

(56) **References Cited**

**U.S. PATENT DOCUMENTS**

2,760,831 A *	8/1956	Kirk	.....	B60T 8/74
				285/321
4,981,389 A *	1/1991	Keon	.....	F16D 1/0864
				403/290
5,067,845 A *	11/1991	Schlueter	.....	F16B 2/065
				403/261
D342,891 S *	1/1994	Marui	.....	D8/396
D342,950 S *	1/1994	Yoder	.....	D14/238
D342,951 S *	1/1994	Yoder	.....	D14/238
D342,952 S *	1/1994	Yoder	.....	D14/238
D342,953 S *	1/1994	Yoder	.....	D14/238
D363,699 S *	10/1995	Mountfort	.....	D13/120
D377,311 S *	1/1997	Stiegler	.....	D8/396
D396,801 S *	8/1998	Petty	.....	D8/356
D411,555 S *	6/1999	Nagai	.....	D15/199

**OTHER PUBLICATIONS**

0.770" Clamping Hubs, posted on studica.com, copyrighted 1985-2016, no production date given, [online], [site visited Aug. 29, 2017], Available from Internet, <URL: <http://www.studica.com/us/en/RobotZone/0-770-clamping-hubs.html>>.\*

(Continued)

*Primary Examiner* — Melanie H Tung  
*Assistant Examiner* — Fritzgerald L Butac  
(74) *Attorney, Agent, or Firm* — Christopher L. Holt; Kelly, Holt & Christenson PLLC

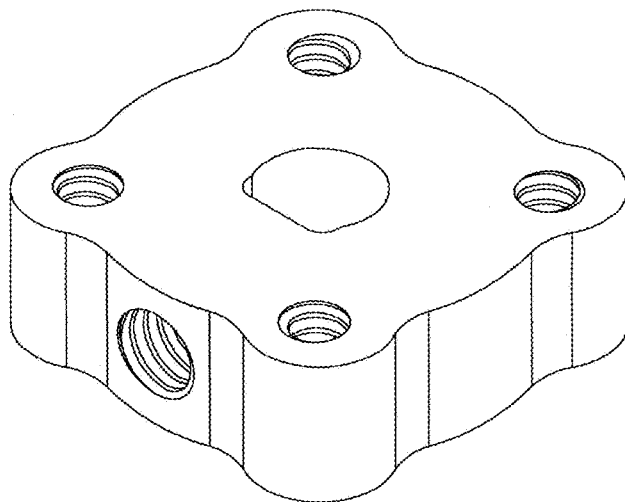
(57) **CLAIM**

The ornamental design for a clamping hub design, as shown and described.

**DESCRIPTION**

FIG. 1 is a perspective view of a clamping hub.  
FIG. 2 is a first side view of a clamping hub.  
FIG. 3 is a first end view of a clamping hub.  
FIG. 4 is a second side view of a clamping hub.  
FIG. 5 is a top view of a clamping hub.  
FIG. 6 is a second end view of a clamping hub; and,  
FIG. 7 is a bottom view of a clamping hub.

**1 Claim, 7 Drawing Sheets**



(56)

References Cited

U.S. PATENT DOCUMENTS

D478,047	S *	8/2003	Liang .....	D13/120
D478,312	S *	8/2003	Liang .....	D13/120
D485,235	S *	1/2004	Liang .....	D13/120
D510,017	S *	9/2005	Messina .....	D8/395
D536,607	S *	2/2007	Bekkevold .....	D8/396
D546,666	S *	7/2007	Mohlin .....	D8/396
D587,633	S *	3/2009	Parrett .....	D12/119
D664,233	S *	7/2012	Heidkamp .....	D22/108
D681,437	S *	5/2013	Wall .....	D8/394
D681,440	S *	5/2013	Yu .....	D8/396
D700,835	S *	3/2014	Langlois .....	D8/396
D708,053	S *	7/2014	Marini .....	D24/127
D709,541	S *	7/2014	Yu Chen .....	D15/145
D714,630	S *	10/2014	Irgens .....	D8/394
D734,412	S *	7/2015	Butler .....	D21/692
D758,177	S *	6/2016	Riccione .....	D8/396
D787,305	S *	5/2017	McNamee, Jr. ....	D8/396
D788,317	S *	5/2017	Orcutt .....	D24/232
D803,757	S *	11/2017	Giordano .....	D12/223
D814,286	S *	4/2018	Chapman .....	D8/396
2017/0067585	A1 *	3/2017	Marks .....	F16D 1/00

OTHER PUBLICATIONS

1/2" Bore Clamping Hub, posted on amazon.com, no posted date given, no production date given, [online], [site visited Aug. 29, 2017], Available from Internet, <URL: <https://www.amazon.com/1-2-Bore-Clamping-Hub/dp/B00KRJAZUY>>.\*

Face Tapped Clamping Hubs, 0.77" Pattern, posted on servocity.com, no posted date given, no production date given, [online], [site visited Aug. 29, 2017], Available from Internet, <URL: <https://www.servocity.com/770-clamping-hubs>>.\*

0.770" Clamping Hubs, posted on studica.com, copyrighted 1985-2016, no production date given, [online], [site visited Aug. 29, 2017], Available from Internet, <URL: <http://www.studica.com/us/en/RobotZone/0-770-clamping-hubs.html>> (Year: 2016).\*

1/2" Bore Clamping Hub, posted on amazon.com, no posted date given, no production date given, [online], [site visited Aug. 29, 2017], Available from Internet, <URL: <https://www.amazon.com/1-2-Bore-Clamping-Hub/dp/B00KRJAZUY>> (Year: 2018).\*

Face Tapped Clamping Hubs, 0.77" Pattern, posted on servocity.com, no posted date given, no production date given, [online], [site visited Aug. 29, 2017], Available from Internet, <URL: <https://www.servocity.com/770-clamping-hubs>> (Year: 2018).\*

\* cited by examiner

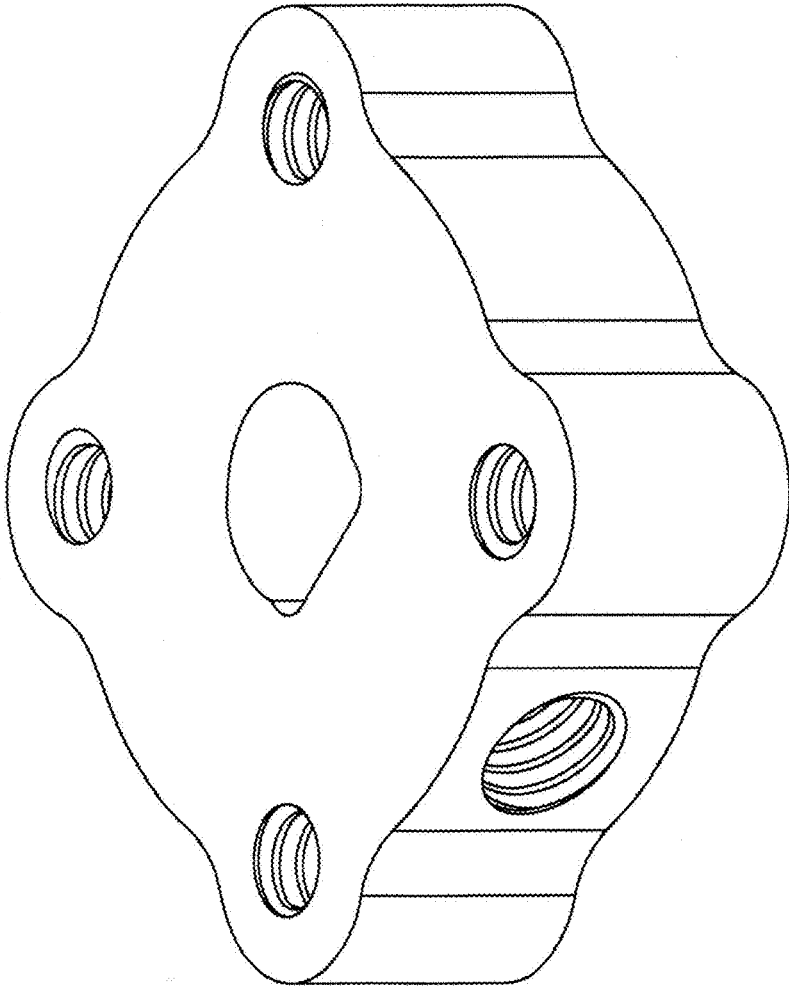


FIG. 1

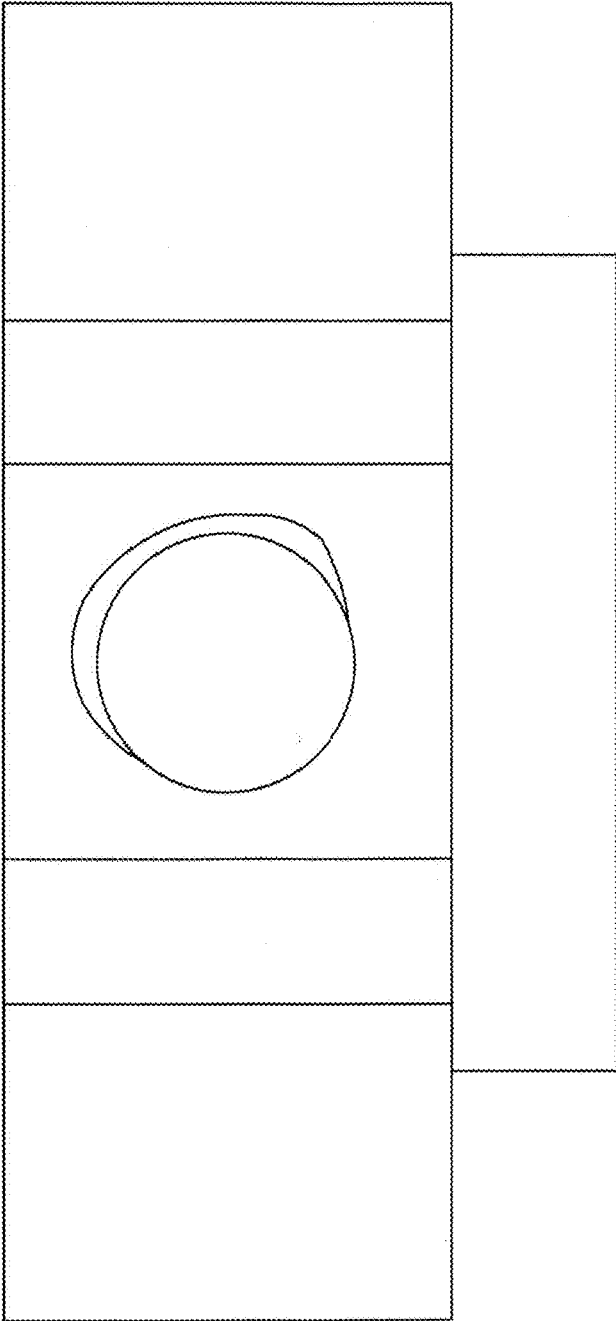


FIG. 2

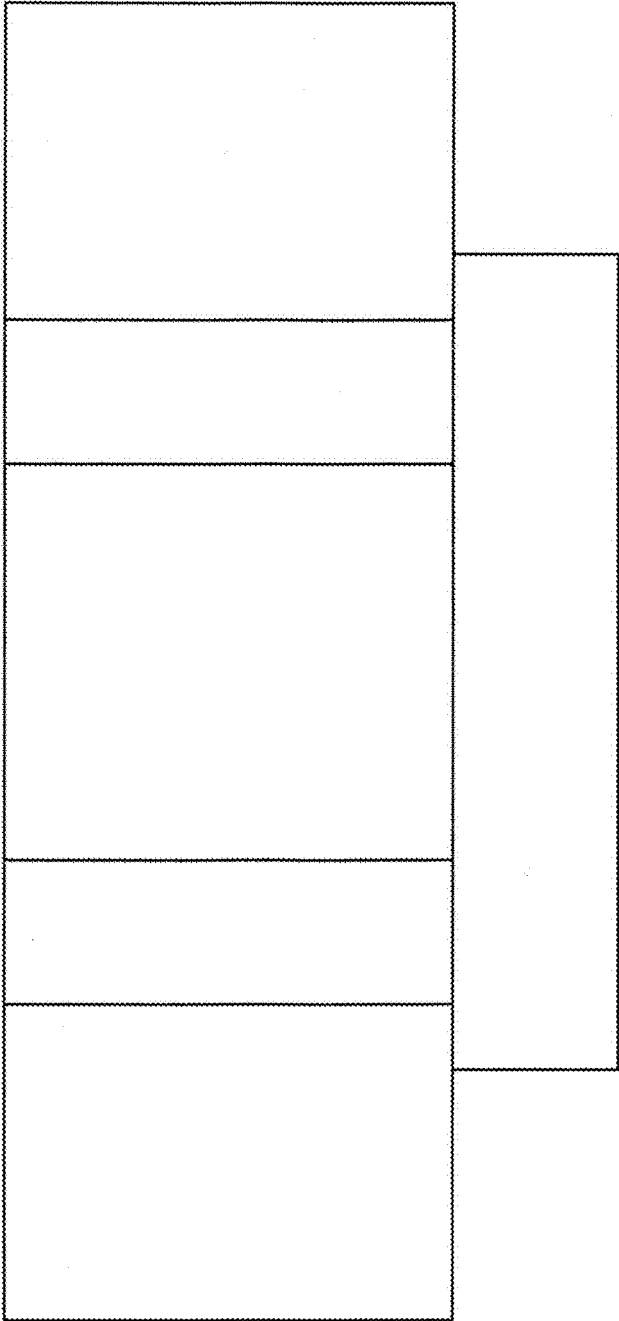


FIG. 3

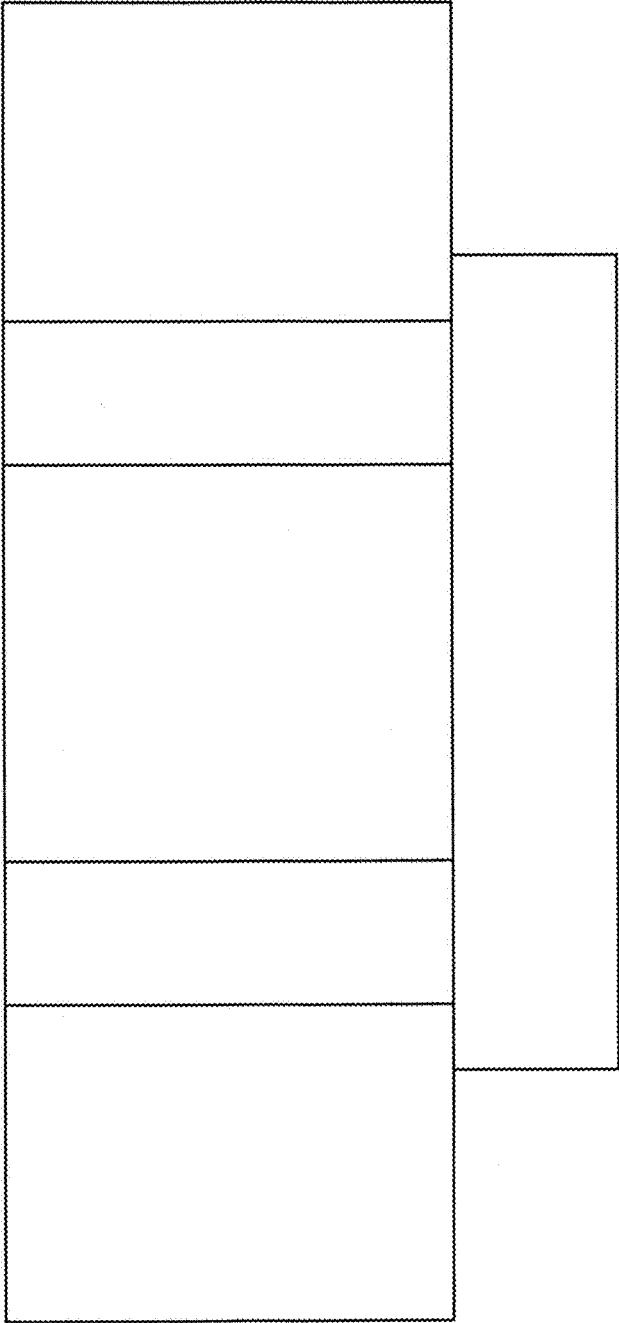


FIG. 4

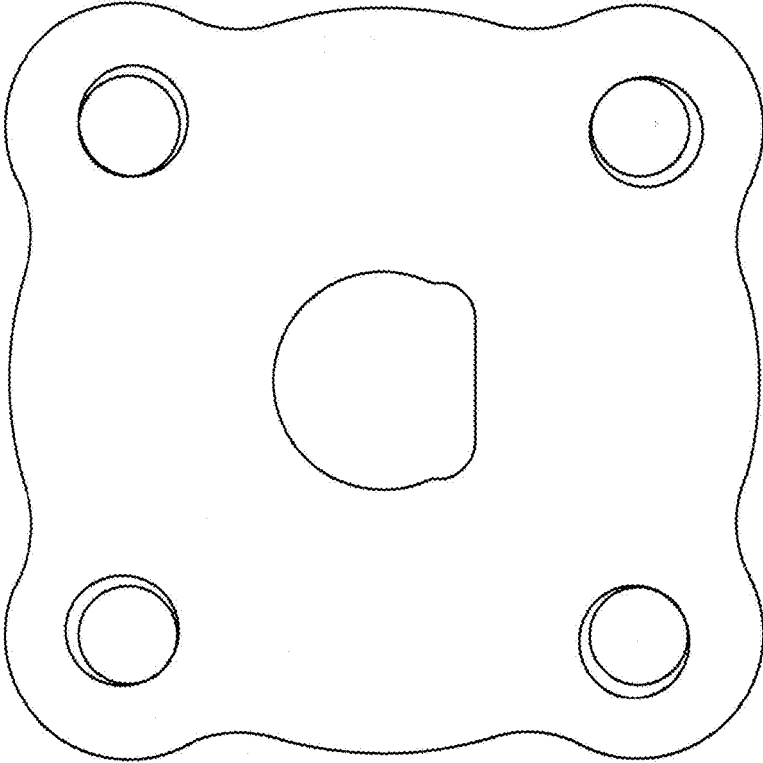


FIG. 5

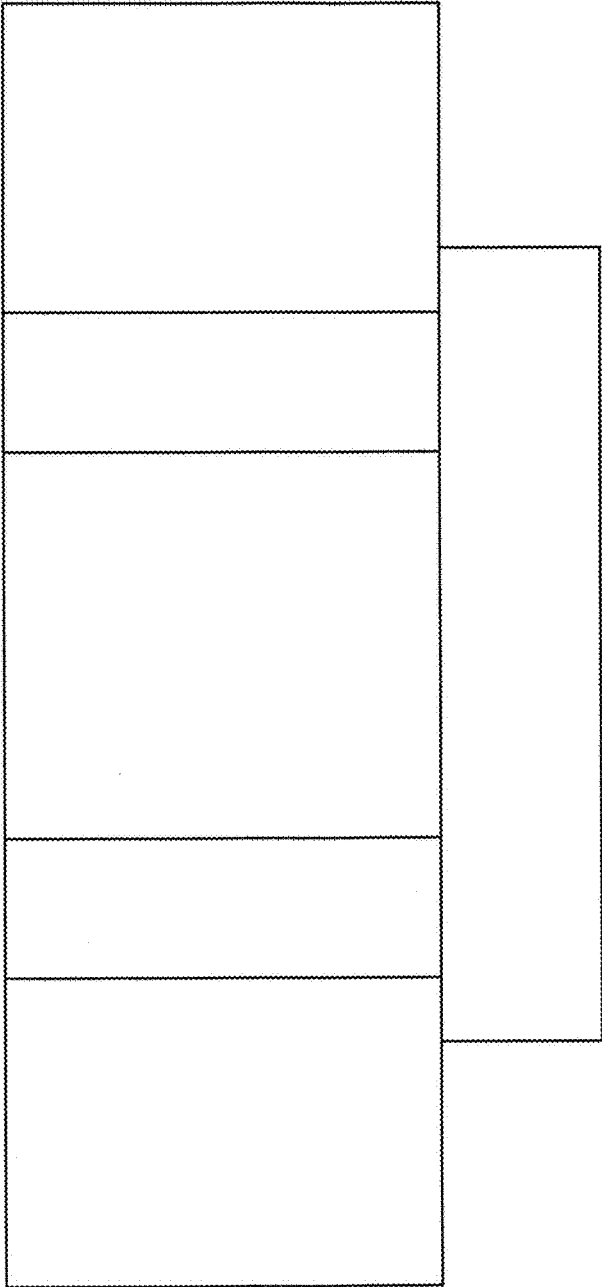


FIG. 6



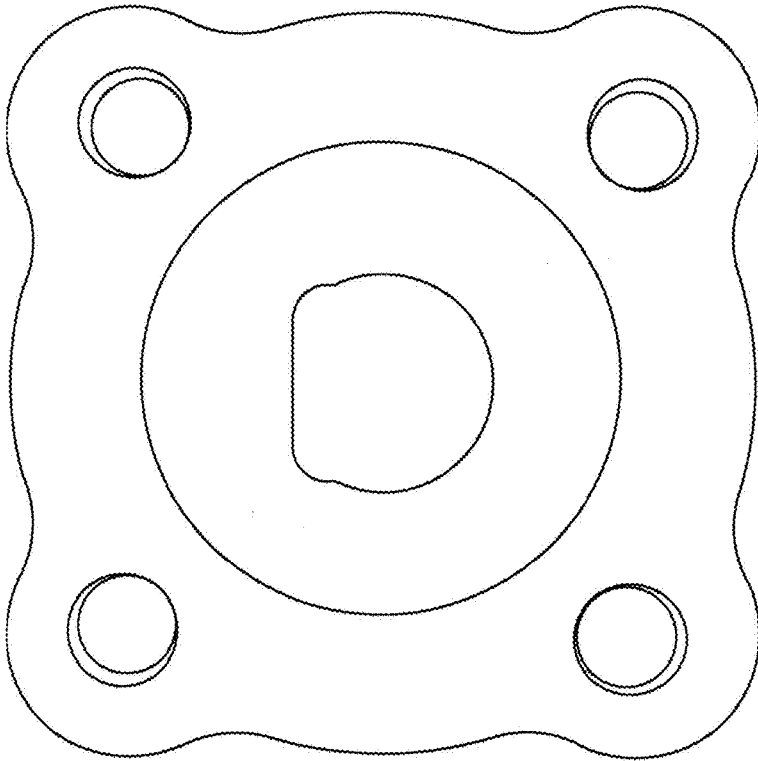


FIG. 7