



US0D1028361S

(12) **United States Design Patent**
Zhang

(10) **Patent No.:** **US D1,028,361 S**

(45) **Date of Patent:** **** May 21, 2024**

(54) **ELECTRIC CLIPPER**
(71) Applicant: **Hanjie Zhang**, Ningbo (CN)
(72) Inventor: **Hanjie Zhang**, Ningbo (CN)
(**) Term: **15 Years**
(21) Appl. No.: **29/890,375**

2022/0184832 A1* 6/2022 Werner B26B 19/06
2022/0410419 A1* 12/2022 Laschinski B26B 19/386
2023/0107628 A1* 4/2023 Tringali H02K 7/14
30/210

FOREIGN PATENT DOCUMENTS

CA 204659 * 3/2023
CN 308076147 * 6/2023
CN 308076161 * 6/2023

OTHER PUBLICATIONS

“Chicclly Store: Hair Clippers for Men.” Found online at amazon.com. Jun. 22, 2023. Reference dated Feb. 16, 2022. Retrieved from <https://www.amazon.com/Clippers-Cordless-Cutting-Barber-Scissors/dp/B09SLDLBXB/> (Year: 2022).*

(Continued)

Primary Examiner — Leanne Was-Englehart
Assistant Examiner — Elizabeth S Struble

(57) **CLAIM**

The ornamental design for an electric clipper, as shown and described.

DESCRIPTION

FIG. 1 is a front, bottom and left side perspective view of an electric clipper, showing my new design;
FIG. 2 is a front view thereof;
FIG. 3 is a rear view thereof;
FIG. 4 is a left side view thereof;
FIG. 5 is a right side view thereof;
FIG. 6 is a top view thereof;
FIG. 7 is a bottom view thereof; and,
FIG. 8 is an enlarged detail view taken from FIG. 1.
The broken lines in the drawings illustrate the portions of the electric clipper, which form no part of the claimed design.

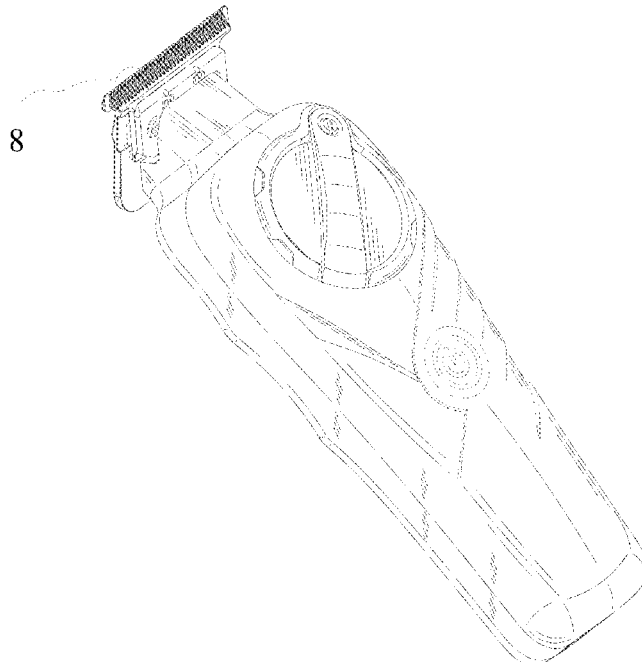
1 Claim, 8 Drawing Sheets

(22) Filed: **Apr. 24, 2023**
(51) **LOC (14) Cl.** **28-03**
(52) **U.S. Cl.**
USPC **D28/53**
(58) **Field of Classification Search**
USPC D28/44, 52, 53, 54; D30/158, 159;
D13/108
CPC B26B 19/00; B26B 19/02; B26B 19/12;
B26B 19/14; B26B 19/06; B26B 19/063;
B26B 19/08; B26B 19/20; B26B 19/3853;
B26B 19/386; B26B 19/3866; B26B
19/3873; B26B 19/205
See application file for complete search history.

(56) **References Cited**

U.S. PATENT DOCUMENTS

D535,788 S * 1/2007 Ng D28/53
D622,907 S * 8/2010 Schwer D28/53
D799,753 S * 10/2017 Ishikura et al.
D800,965 S * 10/2017 Aulwes D28/53
D911,613 S * 2/2021 Jiang D28/53
D942,083 S * 1/2022 Goeder D28/51
D946,827 S * 3/2022 Hunt D28/53
D979,139 S * 2/2023 Xu D28/53
D979,140 S * 2/2023 Xu D28/53
D981,645 S * 3/2023 Lambrecht D28/53
2022/0184827 A1* 6/2022 Arndt B26B 19/3853



(56)

References Cited

OTHER PUBLICATIONS

“KBDS Store: Professional Hair Clippers for Men.” Found online at amazon.com. Jun. 22, 2023. Reference dated Jun. 23, 2021. Retrieved from <https://www.amazon.com/Professional-Clippers-KBDS-Stainless-Rechargeable/dp/B097SZG9JK> (Year: 2021).*

“Suprent Store: Professional Hair Clippers for Men.” Found online at amazon.com. Jun. 22, 2023. Reference dated Oct. 29, 2020. Retrieved from <https://www.amazon.com/Clippers-SUPRENT-Cordless-Cutting-Professional/dp/B08M614XGR> (Year: 2020).*

“Allure: The 13 Best Barber Clippers and Beard Trimmers for At-Home Use.” Found online at allure.com. Jun. 22, 2023. Reference dated Mar. 20, 2021. Retrieved from <https://www.allure.com/gallery/best-barber-clippers-beard-trimmers> (Year: 2021).*

* cited by examiner

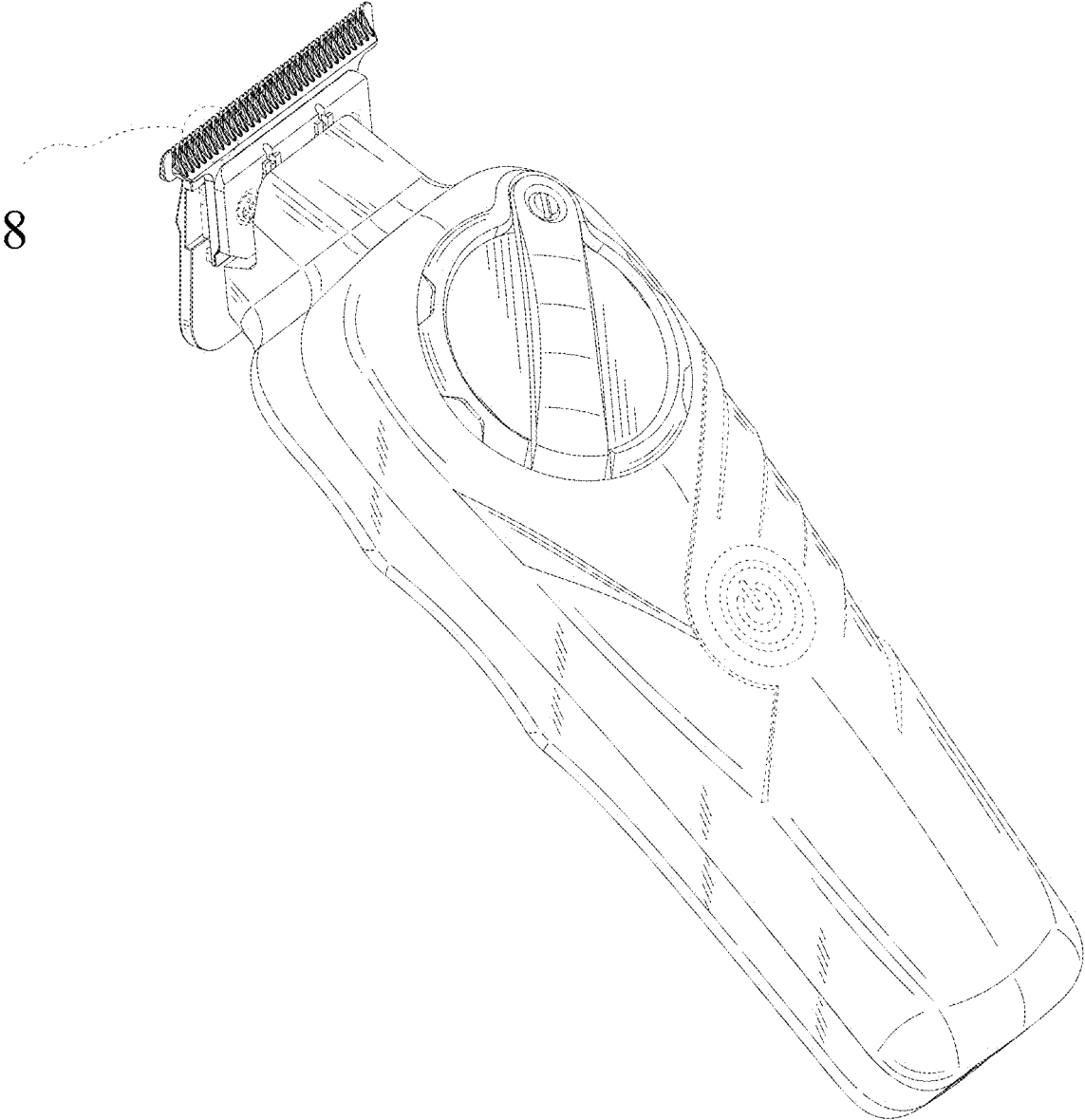


FIG. 1

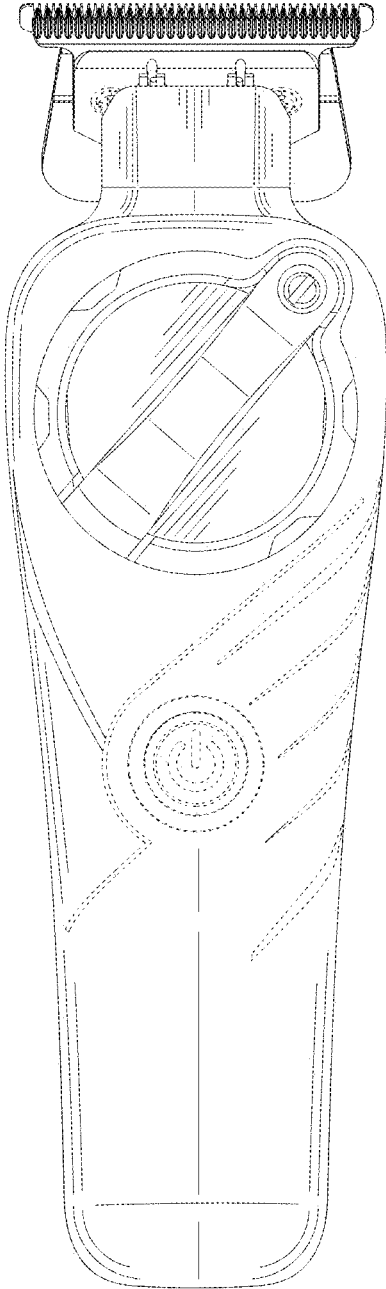


FIG. 2

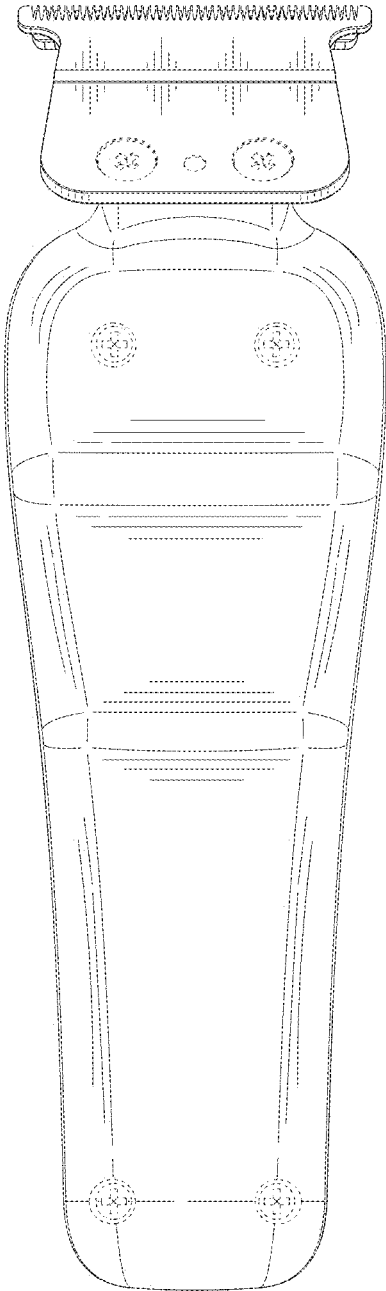


FIG. 3

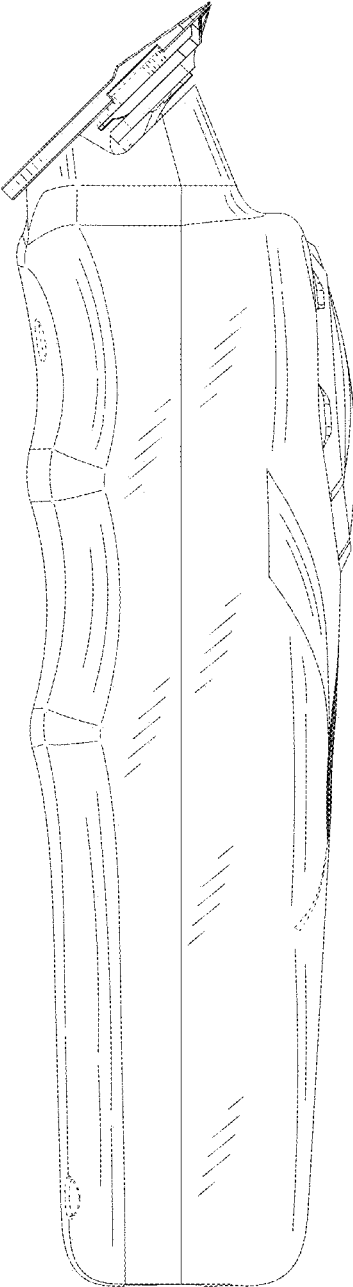


FIG. 4

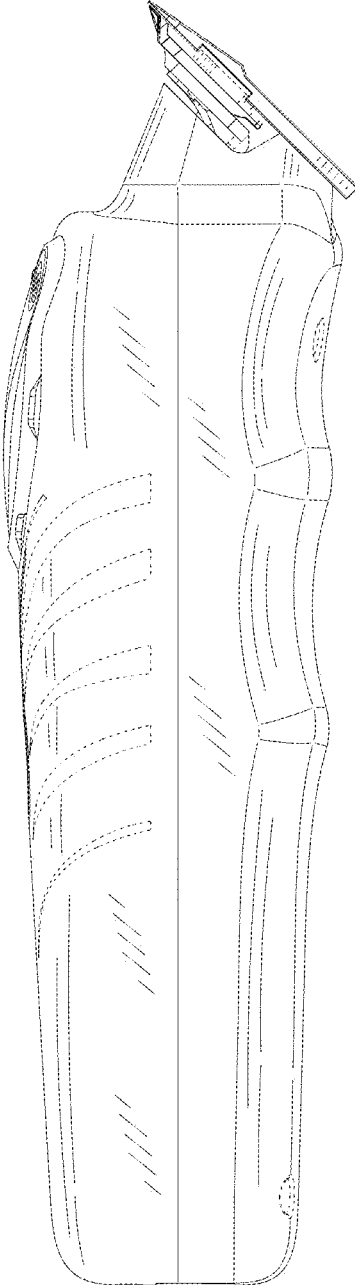


FIG. 5

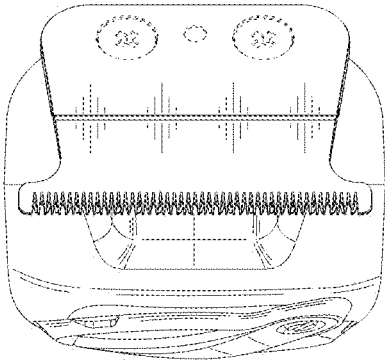


FIG. 6

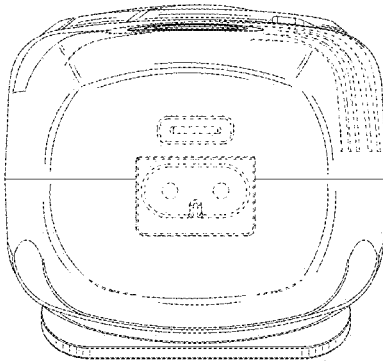


FIG. 7

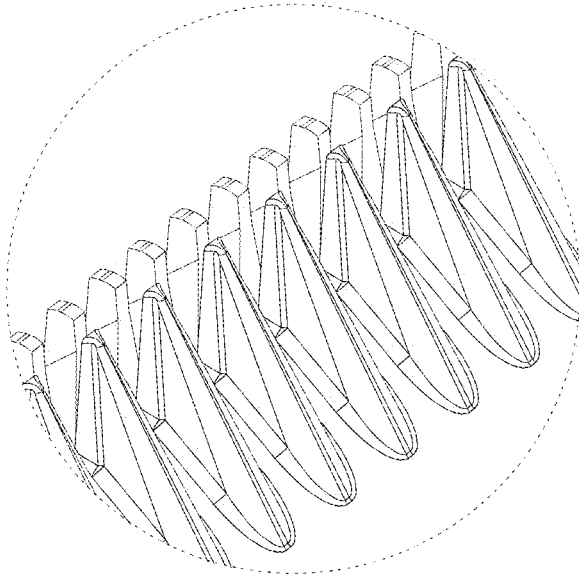


FIG. 8