



US00D836442S

(12) **United States Design Patent** (10) **Patent No.:** **US D836,442 S**  
**Wood et al.** (45) **Date of Patent:** **\*\* \*Dec. 25, 2018**

- (54) **CAP**
- (71) Applicant: **NOVEMBAL USA INC.**, Edison, NJ (US)
- (72) Inventors: **Christopher Wood**, Wauwatosa, WI (US); **Michel Luzzato**, Ecully (FR)
- (73) Assignee: **NOVEMBAL USA INC.**, Edison, NJ (US)
- (\* ) Notice: This patent is subject to a terminal disclaimer.
- (\*\*) Term: **15 Years**
- (21) Appl. No.: **29/651,475**
- (22) Filed: **Aug. 17, 2018**

**Related U.S. Application Data**

- (63) Continuation of application No. 29/632,034, filed on Jan. 4, 2018.
- (51) **LOC (11) Cl.** ..... **09-07**
- (52) **U.S. Cl.**  
USPC ..... **D9/453**
- (58) **Field of Classification Search**  
USPC ..... D9/428, 429, 432, 434, 435, 436, 439, D9/440, 443, 444, 445, 447, 449-455, D9/499, 500, 503, 504, 705; D7/317, D7/387, 391, 392, 392.1, 393, 396.1, D7/396.2, 509-511, 538, 900; D3/202, D3/203.2, 294, 302, 318; D28/91  
CPC .. A61J 1/00; A61J 1/1412; B65D 1/00; B65D 1/02; B65D 1/10; B65D 1/46; B65D 2585/56; B65D 2585/545; B65D 41/00; B65D 41/38; B65D 41/56; B65D 41/62; B65D 47/00; B65D 47/06; B65D 47/08; B65D 2543/00046; B65D 2543/00092; B65D 2543/00296; B65D 5/46; B65D 2251/00

See application file for complete search history.

- (56) **References Cited**  
U.S. PATENT DOCUMENTS  
4,059,198 A \* 11/1977 Mumford ..... B65D 41/06 215/211  
4,595,110 A 6/1986 Herr  
D318,804 S \* 8/1991 Ochs ..... D9/453  
D358,769 S \* 5/1995 Luch ..... D9/438  
D407,978 S 4/1999 Petro  
(Continued)

**FOREIGN PATENT DOCUMENTS**

- CA 2 831 909 A1 11/2012
- CA 2 839 370 A1 12/2012  
(Continued)

*Primary Examiner* — Michael A. Pratt  
*Assistant Examiner* — Wendy L. Arminio  
(74) *Attorney, Agent, or Firm* — Finnegan, Henderson, Farabow, Garrett & Dunner LLP

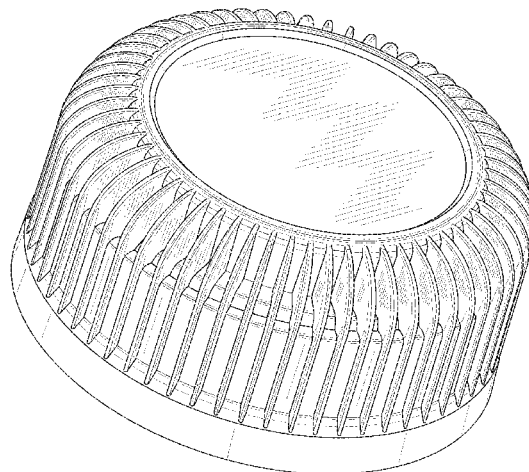
(57) **CLAIM**

The ornamental design for a cap, as shown and described.

**DESCRIPTION**

FIG. 1 is a top, front perspective view of a cap showing our new design;  
FIG. 2 is a second top, front perspective view thereof;  
FIG. 3 is a top plan view thereof;  
FIG. 4 is a bottom, front perspective view thereof;  
FIG. 5 is a bottom plan view thereof;  
FIG. 6 is a front elevation view thereof, with the rear elevation, left side, and right side views being identical thereto; and,  
FIG. 7 is a top perspective cross-sectional view taken in the direction of line 7-7 shown in FIG. 3.  
The broken lines in the drawings form no part of the claimed design.

**1 Claim, 7 Drawing Sheets**



(56)

References Cited

U.S. PATENT DOCUMENTS

D458,138 S 6/2002 Fuchs  
 6,405,886 B1 6/2002 Gearhart et al.  
 D460,357 S \* 7/2002 Kras ..... D9/435  
 D465,731 S 11/2002 Brant et al.  
 D481,314 S \* 10/2003 Noonan ..... D9/438  
 D513,181 S \* 12/2005 Bloom ..... D9/453  
 6,981,602 B2 1/2006 Ma et al.  
 D516,911 S \* 3/2006 Bloom ..... D9/453  
 D518,717 S 4/2006 German  
 D518,718 S \* 4/2006 von Spreckelsen ..... D9/453  
 D518,719 S \* 4/2006 von Spreckelsen ..... D9/453  
 D527,631 S \* 9/2006 Mallet ..... D9/449  
 D534,802 S \* 1/2007 German ..... D9/453  
 D584,149 S 1/2009 Lohrman et al.  
 D592,954 S \* 5/2009 Capretta ..... D9/453  
 D606,864 S 12/2009 Robinson  
 D619,003 S \* 7/2010 Benoit-Gonin ..... D9/453  
 D632,958 S \* 2/2011 Fuchs ..... D9/453  
 D633,386 S \* 3/2011 Taber ..... D9/453  
 D634,199 S \* 3/2011 Taber ..... D9/453  
 D634,200 S 3/2011 Taber  
 D671,834 S 12/2012 Chasteen et al.  
 D673,852 S \* 1/2013 Wood ..... D9/453  
 D687,299 S 8/2013 Peykoff et al.  
 D693,221 S 11/2013 Ramsey et al.  
 D693,683 S 11/2013 Ramsey et al.  
 D693,685 S 11/2013 Ramsey et al.  
 8,672,158 B2 3/2014 Taber et al.  
 D723,919 S 3/2015 Taber et al.  
 D762,115 S 7/2016 Corvaglia et al.  
 D786,966 S 5/2017 Matsushita et al.  
 D789,201 S 6/2017 Yu  
 D790,966 S 7/2017 Roberts et al.

D792,219 S 7/2017 Bueno Nunez  
 D824,257 S \* 7/2018 Wood ..... D9/453  
 2009/0014404 A1 1/2009 Russell  
 2010/0200532 A1 \* 8/2010 Ekkert ..... B65D 41/00  
 215/201  
 2011/0290754 A1 12/2011 Taber et al.  
 2011/0290755 A1 12/2011 Taber et al.  
 2012/0031871 A1 \* 2/2012 Molinaro ..... B65D 1/023  
 215/44  
 2013/0313218 A1 11/2013 Cox et al.  
 2014/0158660 A1 \* 6/2014 Wood ..... B65D 41/0421  
 215/252  
 2015/0122769 A1 5/2015 Taber et al.  
 2016/0332783 A1 11/2016 Kim

FOREIGN PATENT DOCUMENTS

EM 003750033-0001 2/2017  
 EM 003750033-0002 2/2017  
 EM 003750033-0003 2/2017  
 EM 003750033-0004 2/2017  
 EM 003750033-0005 2/2017  
 EM 003750033-0006 2/2017  
 EM 003750033-0007 2/2017  
 EM 003750033-0008 2/2017  
 EM 003750033-0009 2/2017  
 EM 003995596-0001 5/2017  
 EM 004089217-0002 7/2017  
 FR 2 863 589 A1 6/2005  
 FR 2 911 584 A1 7/2008  
 JP 3318752 B2 8/2002  
 WO WO 2007/147206 A1 12/2007  
 WO WO 2011/098739 A1 8/2011  
 WO WO 2012/102599 A2 8/2012  
 WO WO 2012/102599 A3 8/2012

\* cited by examiner

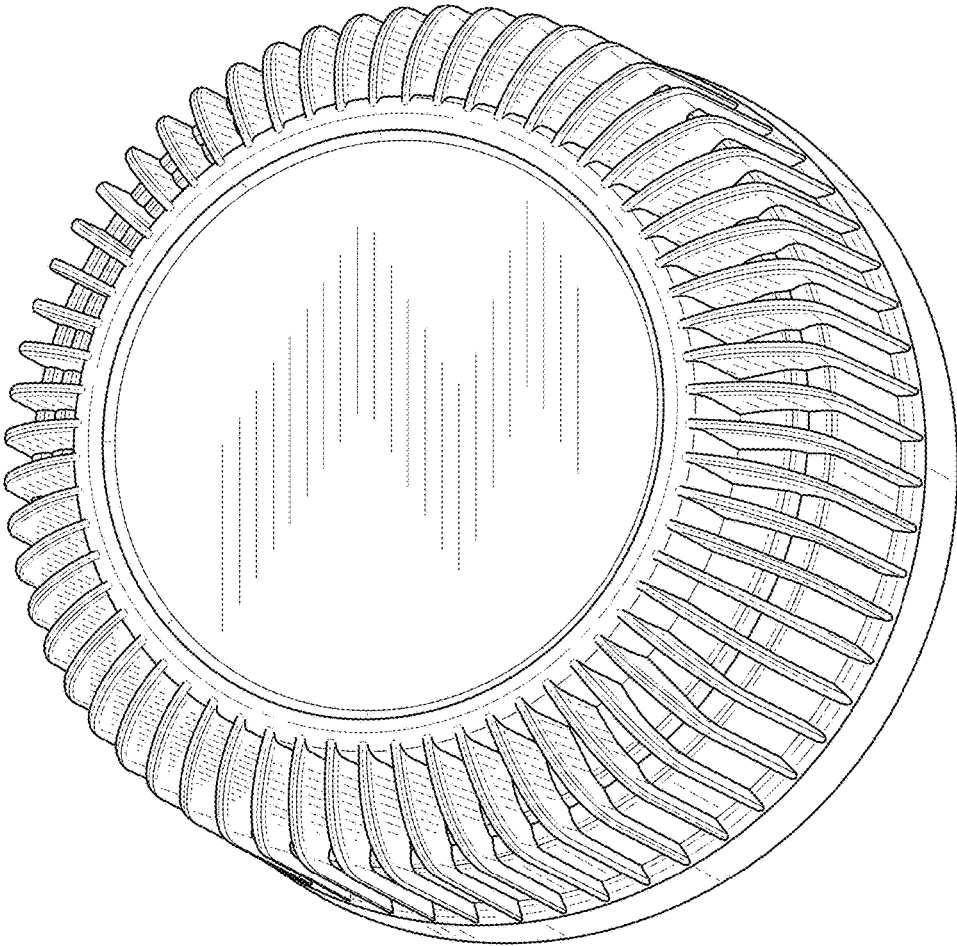


FIG. 1

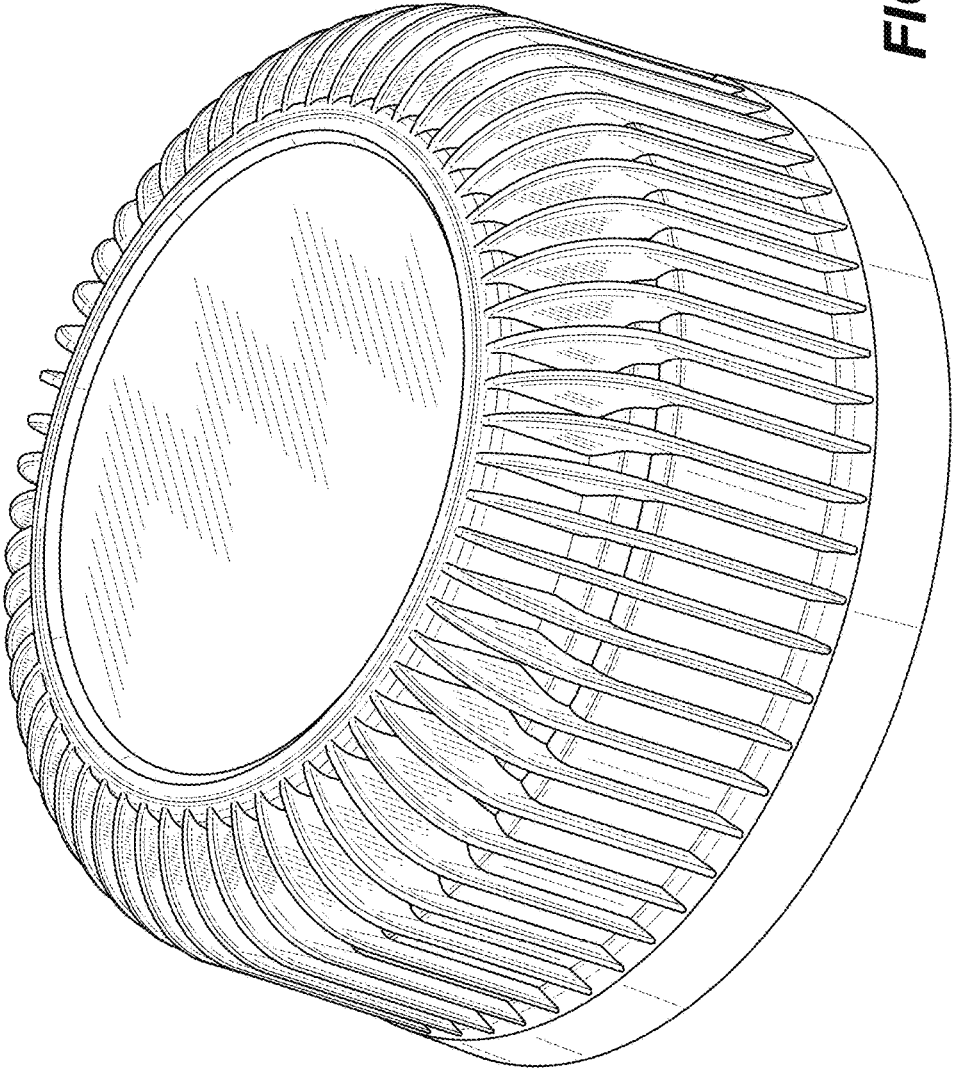


FIG. 2

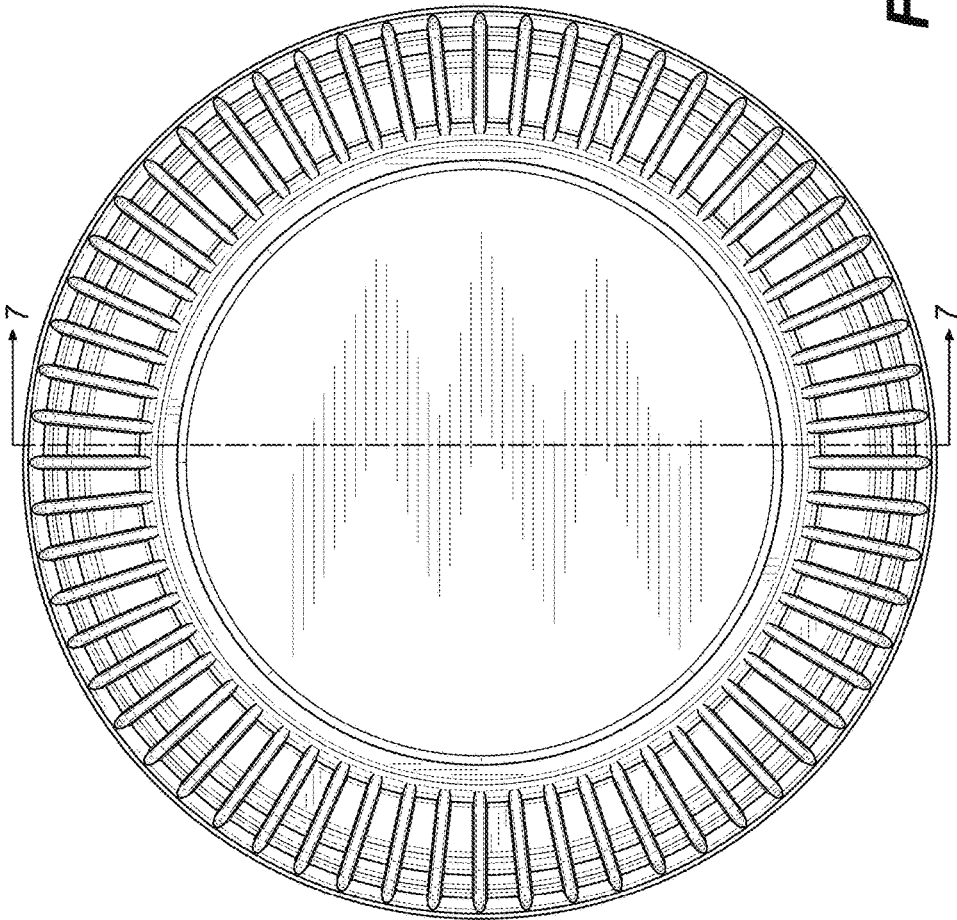


FIG. 3

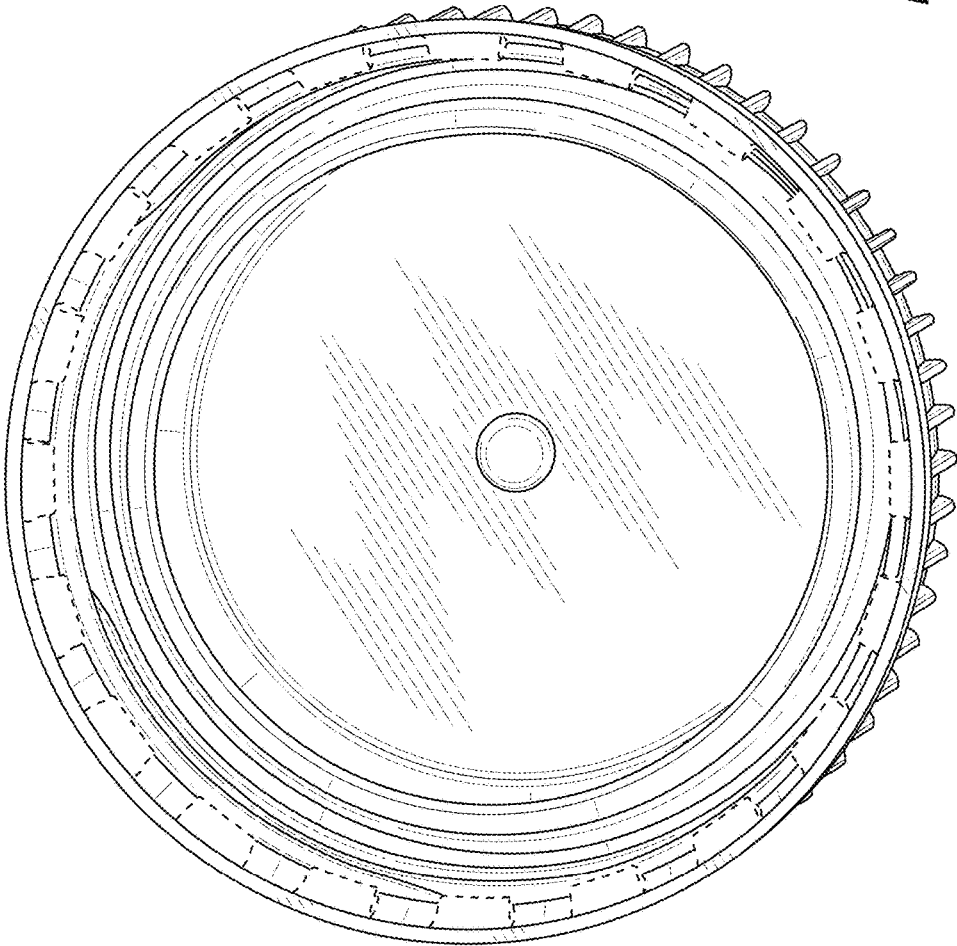


FIG. 4



FIG. 5

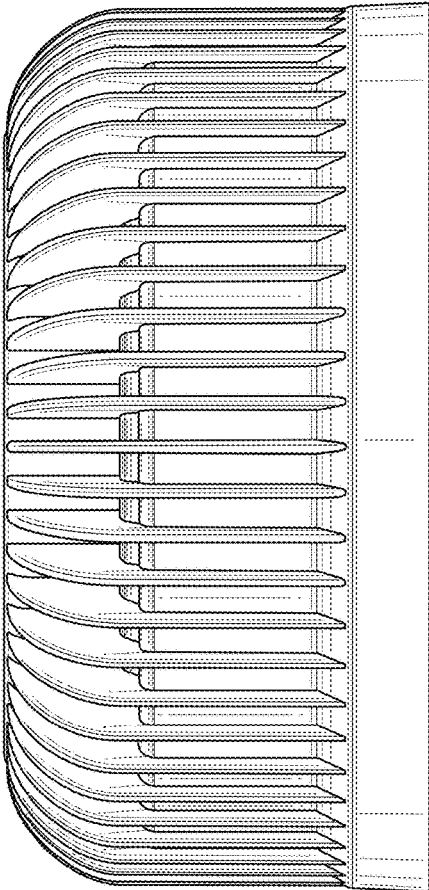


FIG. 6



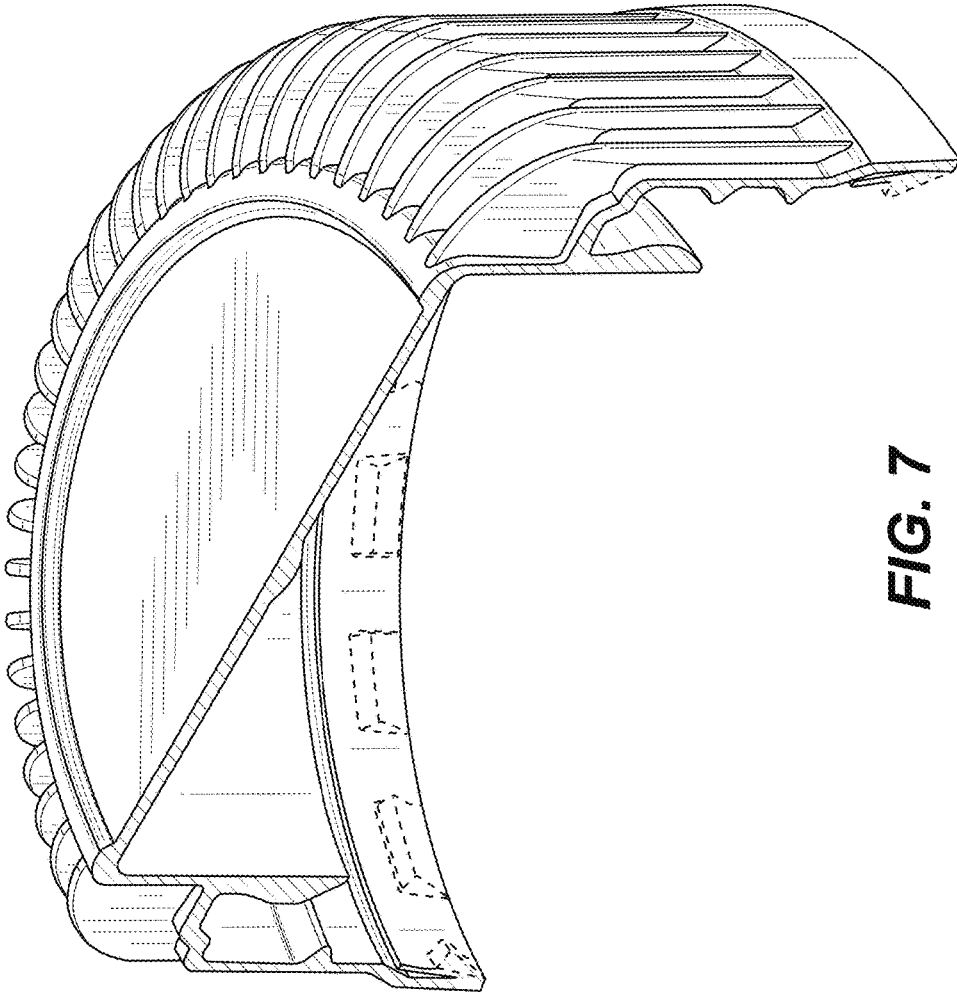


FIG. 7