

US00D384602S

United States Patent [19]

[11] Patent Number: **Des. 384,602**

Anderberg

[45] Date of Patent: ****Oct. 7, 1997**

[54] **BICYCLE TRAINING UNIT**

5,306,030 4/1994 Becka 280/282
5,338,204 8/1994 Herndon 280/293

[76] Inventor: **Donald P. Anderberg**, 12200 Marion La., Apt. 5124, Minnetonka, Minn. 55343

Primary Examiner—Melody N. Brown
Attorney, Agent, or Firm—Nawrocki, Rooney & Sivertson, P.A.

[**] Term: **14 Years**

[57] CLAIM

[21] Appl. No.: **37,117**

The ornamental design for a bicycle training unit, as shown and described.

[22] Filed: **Apr. 4, 1995**

DESCRIPTION

[51] **LOC (6) Cl.** **12-11**

[52] **U.S. Cl.** **D12/114**

[58] **Field of Search** D12/111, 112,
D12/114; 280/202, 204, 282, 288.4, 292,
293

FIG. 1 is a perspective view of a bicycle training unit showing my new design, the bicycle shown in broken lines is for illustrative purposes only and forms no part of the claimed design;

FIG. 2 is a right side view thereof;

FIG. 3 is a top view thereof;

FIG. 4 is a bottom view thereof;

FIG. 5 is a left side view thereof;

FIG. 6 is a front view thereof; and,

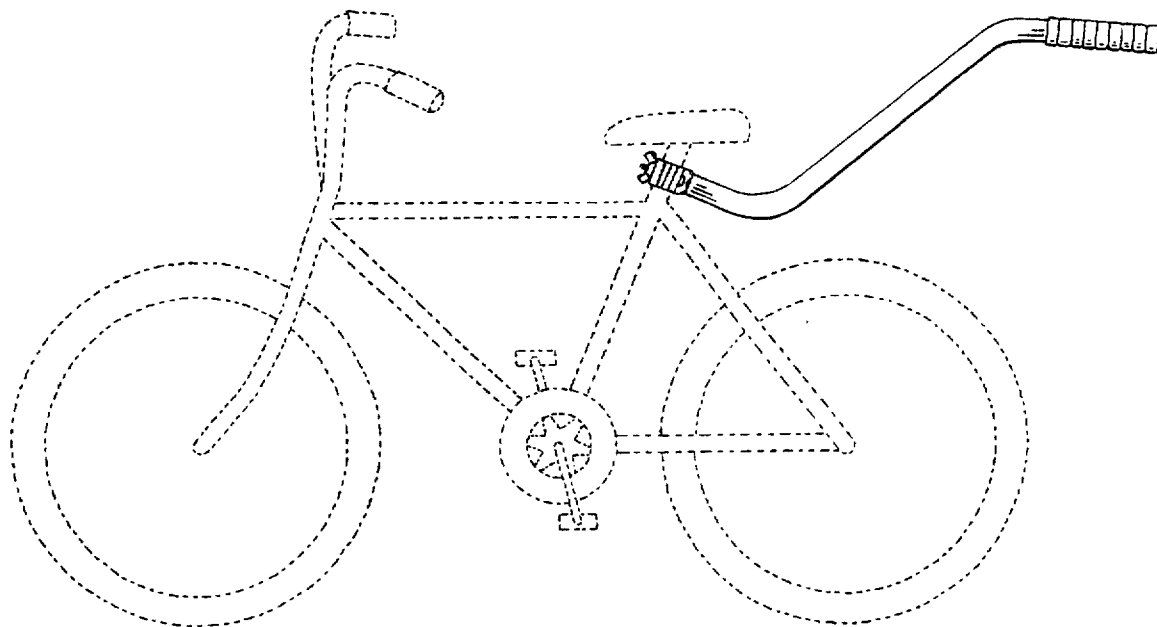
FIG. 7 is a back view thereof.

[56] References Cited

U.S. PATENT DOCUMENTS

D. 327,831	7/1992	Chambless	D12/114
D. 339,090	9/1993	Gardenhour, Jr. et al.	D12/114
D. 355,870	2/1995	Dieudonne	D12/112
4,917,398	4/1990	de Meranda Pinto	280/299
5,028,066	7/1991	Garth	280/293

1 Claim, 3 Drawing Sheets



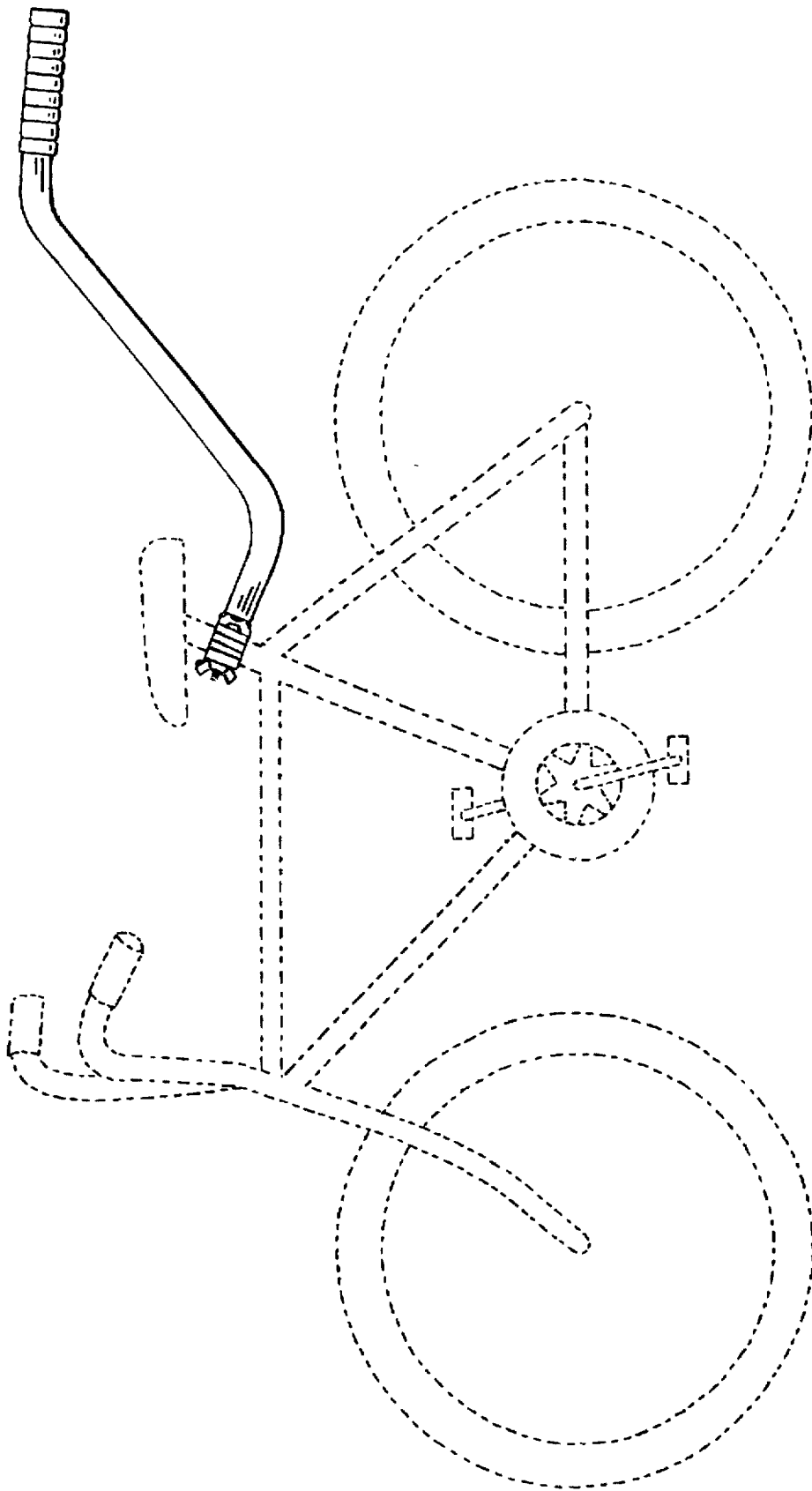


FIG. 1

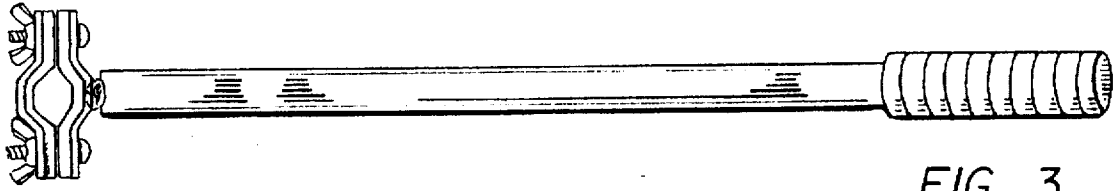


FIG. 3

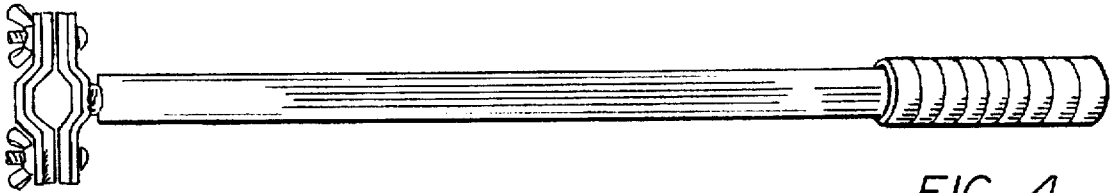


FIG. 4

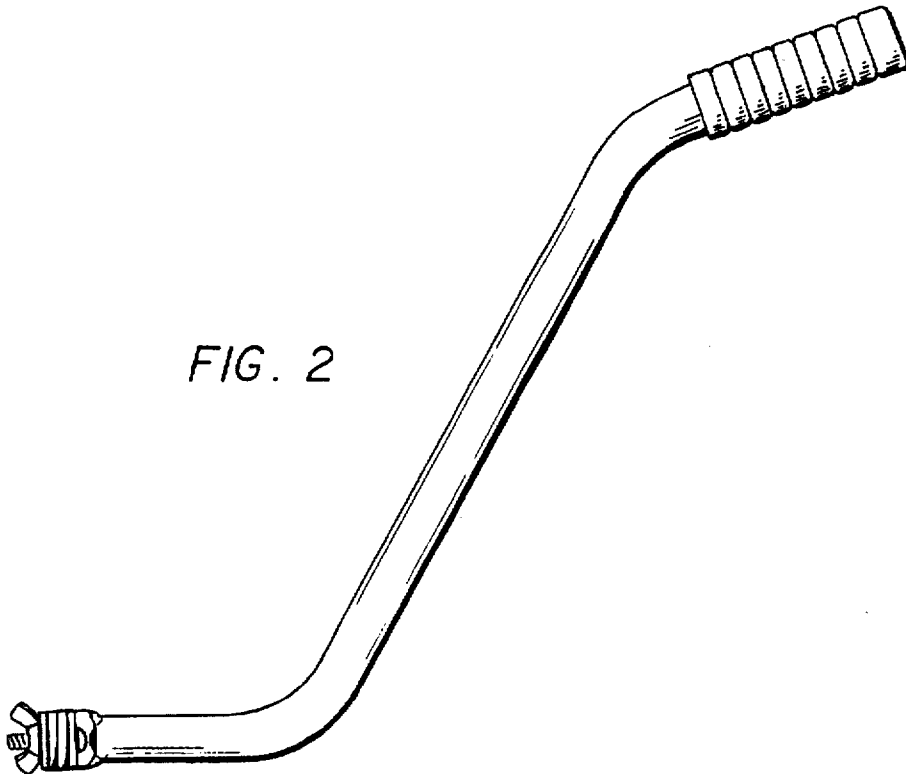


FIG. 2

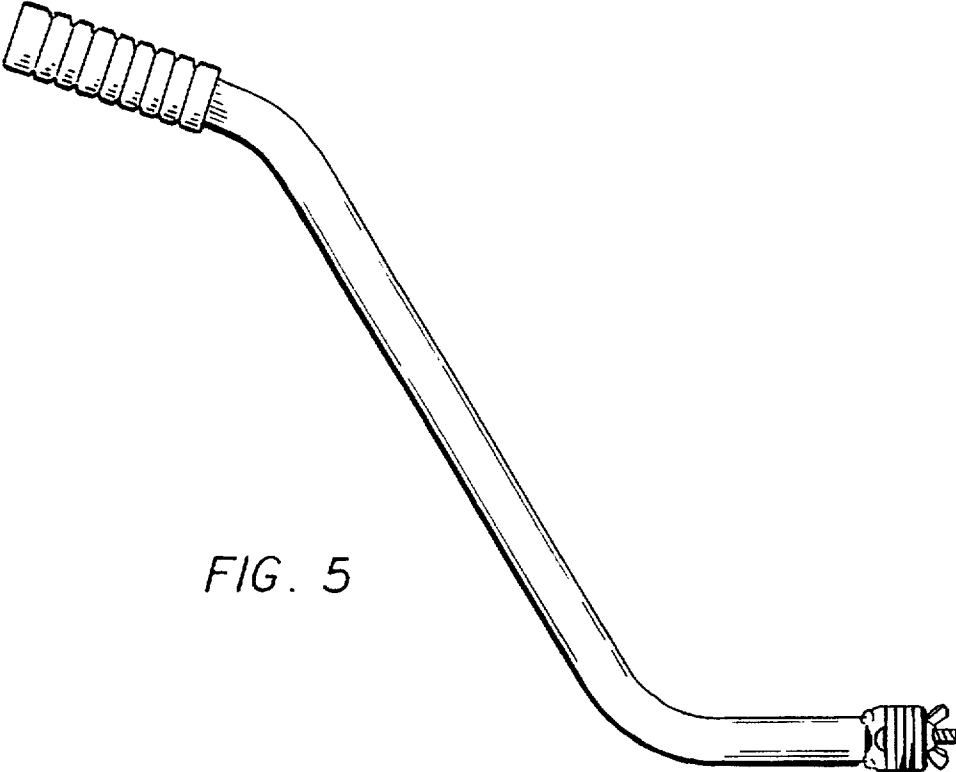


FIG. 5

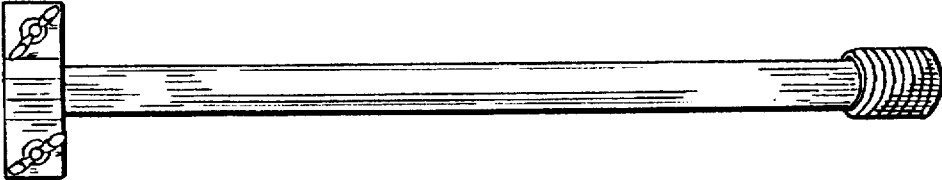


FIG. 6

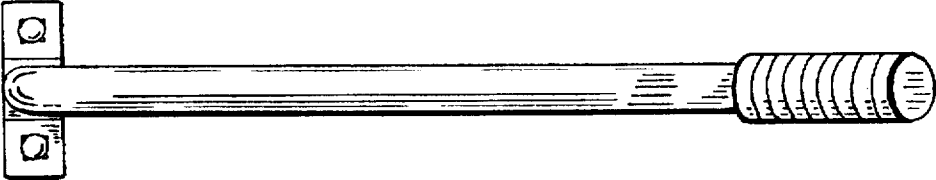


FIG. 7