



US00D981745S

(12) **United States Design Patent**
Pallrand

(10) **Patent No.:** **US D981,745 S**

(45) **Date of Patent:** **** Mar. 28, 2023**

(54) **CHAIR**

OTHER PUBLICATIONS

(71) Applicant: **Home Front Build, Inc.**, Los Angeles, CA (US)

Homary.com, <https://www.homary.com/item/modern-4-pieces-khaki-curved-sectional-floor-sofa-velvet-upholstered-with-ottoman-13676.html>, last visited Oct. 18, 2022.

(72) Inventor: **Stephen Pallrand**, Los Angeles, CA (US)

(Continued)

(73) Assignee: **HOME FRONT BUILD, INC.**, Los Angeles, CA (US)

Primary Examiner — Kevin K Rudzinski

Assistant Examiner — Paul D Bohannon

(**) Term: **15 Years**

(74) *Attorney, Agent, or Firm* — Gottlieb, Rackman & Reisman, PC

(21) Appl. No.: **29/867,608**

(22) Filed: **Oct. 31, 2022**

(57) **CLAIM**

(51) **LOC (14) Cl.** **06-01**

The ornamental design for a chair, as shown and described.

(52) **U.S. Cl.**

USPC **D6/375**

(58) **Field of Classification Search**

USPC D6/369, 375, 377, 379, 380, 716.4, 332, D6/334, 335, 364, 358, 363, 371, 643, D6/643.1, 644; D12/345; D25/138
CPC A47B 91/04; A47C 1/143; A47C 3/00; A47C 3/023; A47C 3/12; A47C 4/02; A47C 5/12; A47C 7/002; A47C 7/46; A47C 7/66; A47C 9/005; A47C 9/025; Y10S 297/02

See application file for complete search history.

DESCRIPTION

FIG. 1 is a perspective view of a chair showing my new design;
FIG. 2 is a first side elevation view thereof;
FIG. 3 is a second side elevation view thereof;
FIG. 4 is a third side elevation view thereof;
FIG. 5 is a fourth side elevation view thereof;
FIG. 6 is a top plan view thereof;
FIG. 7 is a bottom plan view thereof;
FIG. 8 is a representative perspective view of the chair showing an ottoman nesting within a concave curvature of the base of the chair;
FIG. 9 is a representative perspective view of the chair showing an ottoman adjacent thereto; and,
FIG. 10 is a representative perspective view of the chair adjacent showing another chair nesting within the concave curvature of the base of the chair and yet another chair adjacent another side of the chair.
The broken lines shown in the drawings are included for the purpose of illustrating portions of the chair and/or adjacent structure that form no part of the claimed design.

(56) **References Cited**

U.S. PATENT DOCUMENTS

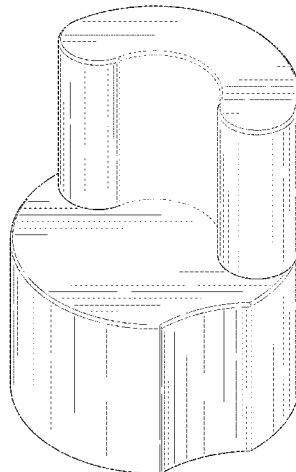
3,604,749 A * 9/1971 Parmett A47C 3/04
297/451.12
D225,871 S * 1/1973 Grannell D6/643
3,955,850 A 5/1976 Toso
D241,589 S * 9/1976 Laylon D6/363
D245,950 S * 10/1977 Mathur D6/334
(Continued)

FOREIGN PATENT DOCUMENTS

AU 143406 4/2001
FR 042027-0001 5/2004

(Continued)

1 Claim, 7 Drawing Sheets



US D981,745 S

Page 2

(56)

References Cited

U.S. PATENT DOCUMENTS

D245,953 S * 10/1977 Mathur D6/334
D248,912 S * 8/1978 Canfield D6/698
D264,276 S * 5/1982 Poelvoorde D6/335
D264,898 S * 6/1982 Baker D6/364
D277,432 S * 2/1985 Appel D6/364
D289,467 S * 4/1987 Pickett D6/358
D296,734 S * 7/1988 Valdez D6/358
D330,638 S * 11/1992 Moschini D6/334
D349,608 S * 8/1994 Savoie D25/138
D412,625 S * 8/1999 Montague, III D6/643.1
6,045,193 A 4/2000 Johnson
D423,800 S * 5/2000 Lewis D6/334
6,739,670 B2 5/2004 Johnson
7,131,699 B2 11/2006 Mulmed
7,555,989 B2 7/2009 Sherman
D615,476 S * 5/2010 Bock D12/345
D628,824 S * 12/2010 Vignelli D6/364
8,833,271 B2 9/2014 Everett
2003/0189364 A1 10/2003 Friedman

2004/0201261 A1 10/2004 Johnson
2015/0028633 A1 1/2015 Stubbs et al.
2022/0225778 A1* 7/2022 Gillissie A47C 7/68

FOREIGN PATENT DOCUMENTS

GB 6025625 1/2018
GB 6025626 1/2018
IT 004714418-003 2/2018

OTHER PUBLICATIONS

Worthington Direct, <https://www.worthingtondirect.com/35038-blossom-soft-seating-modular-upholstered-stool-lounge-seat-set-fiorella-pollenvivacious.htm>, last visited Oct. 18, 2022.
Artsy Sister, https://artsysister.com/products/ecr4kids-toddler-modular-stool-set-butterfly-shaped-foam-seats-child-size-stool-colorful-flexible-seating-homeschool-learning-daycares-and-classroom-furniture-6-piece-contemporary?_pos=2&_sid=b770a0d0b&_ss=r, last visited Oct. 18, 2022.

* cited by examiner

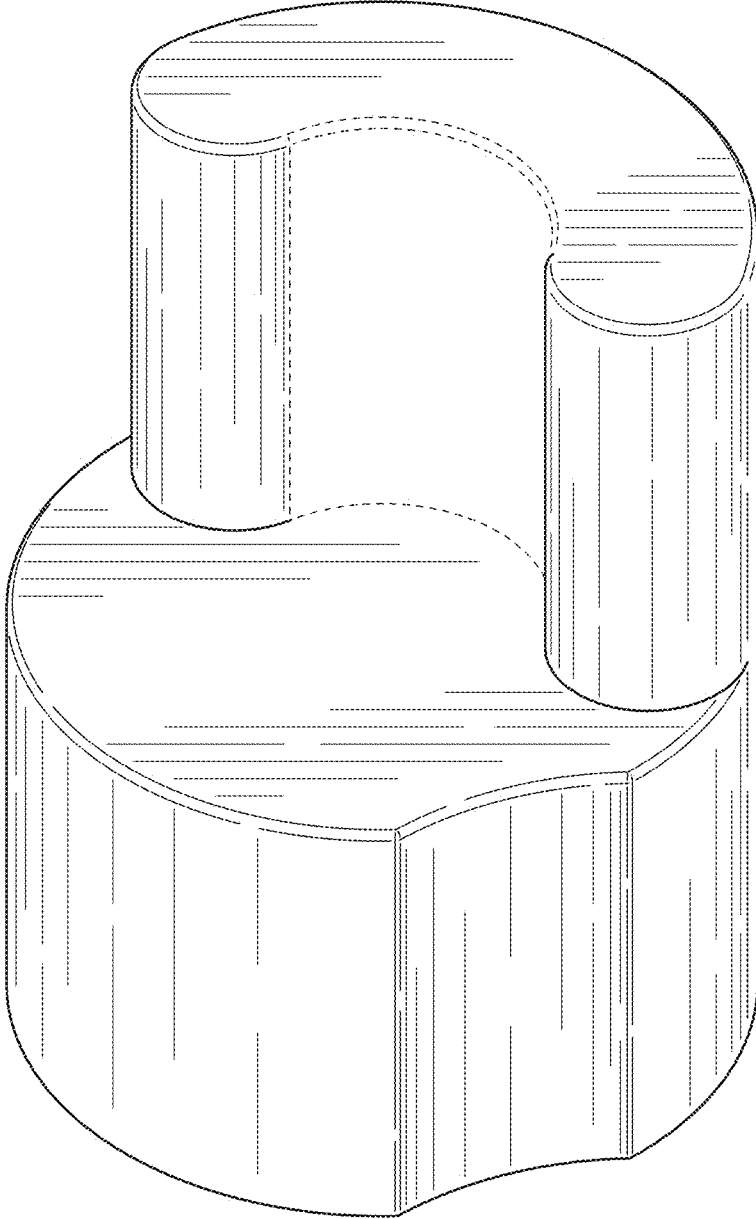


FIG. 1

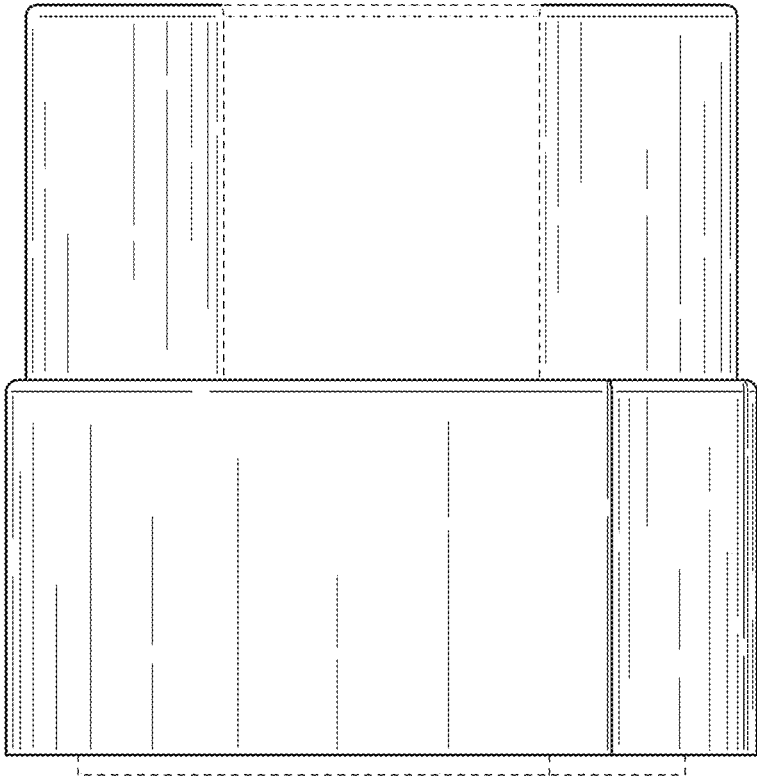


FIG. 2

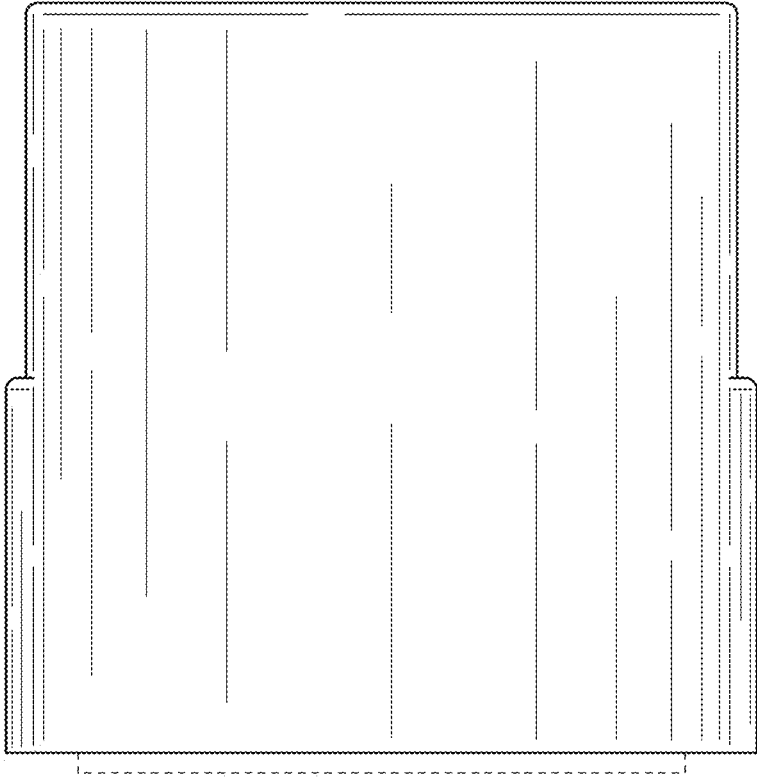


FIG. 3

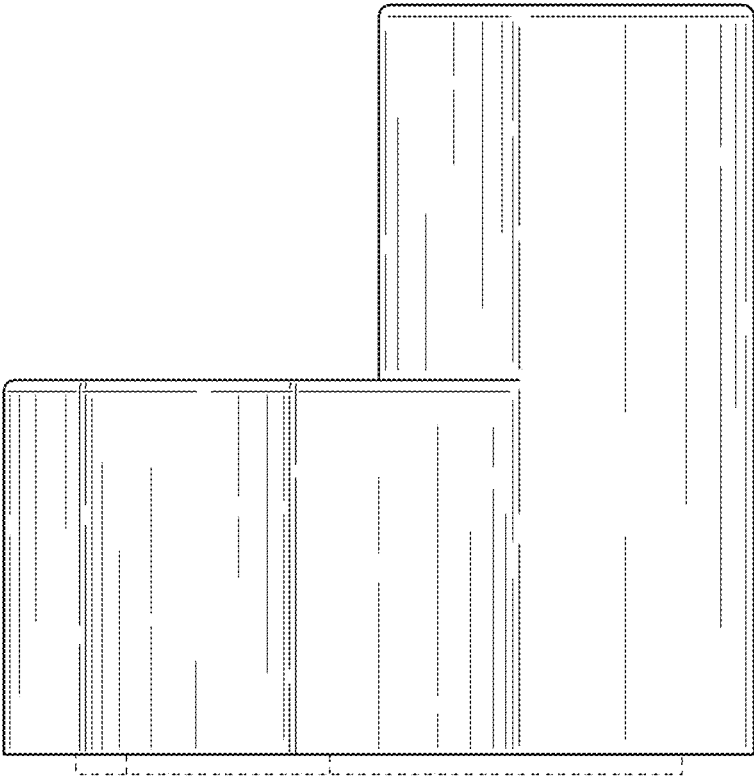


FIG. 4

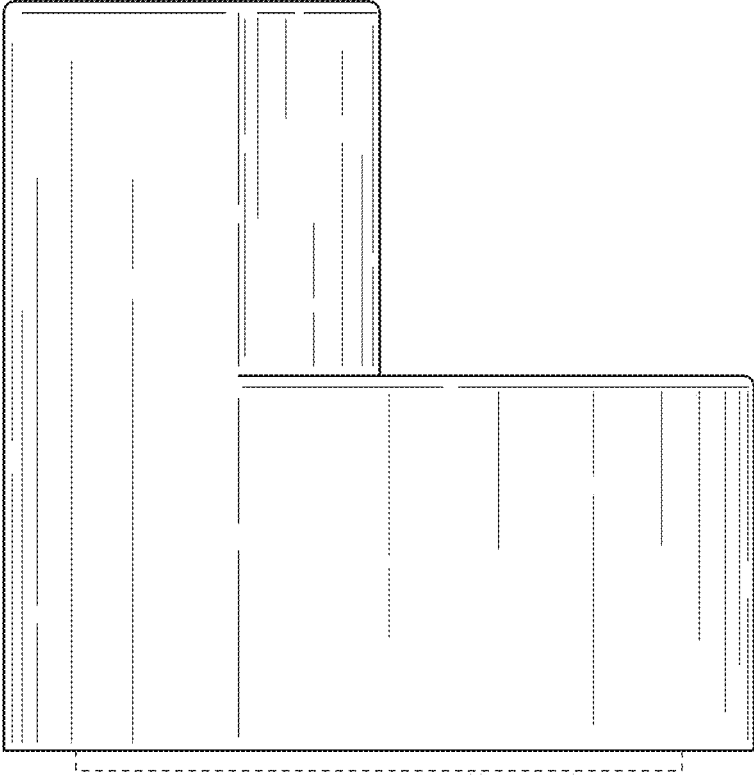


FIG. 5

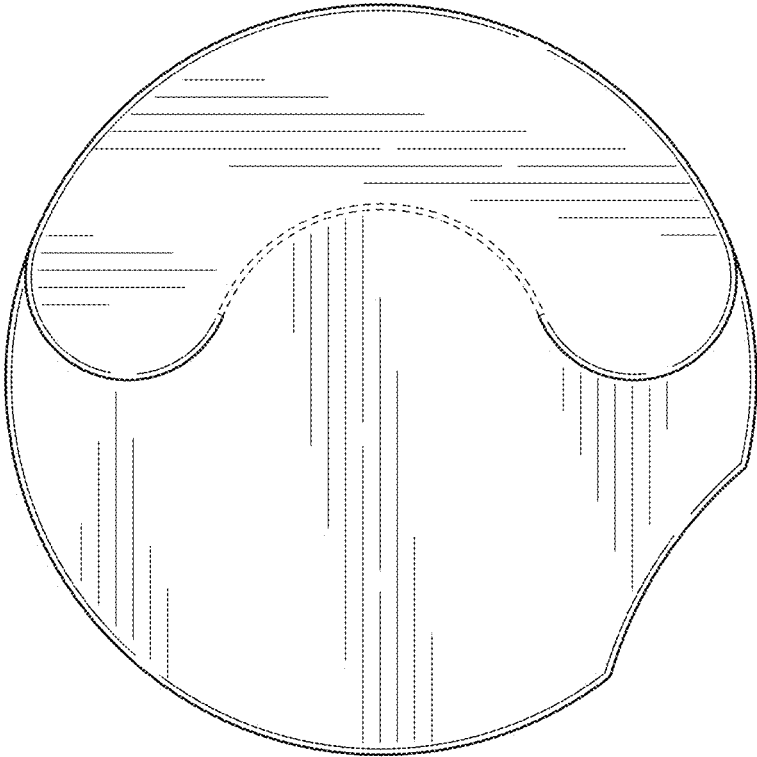


FIG. 6

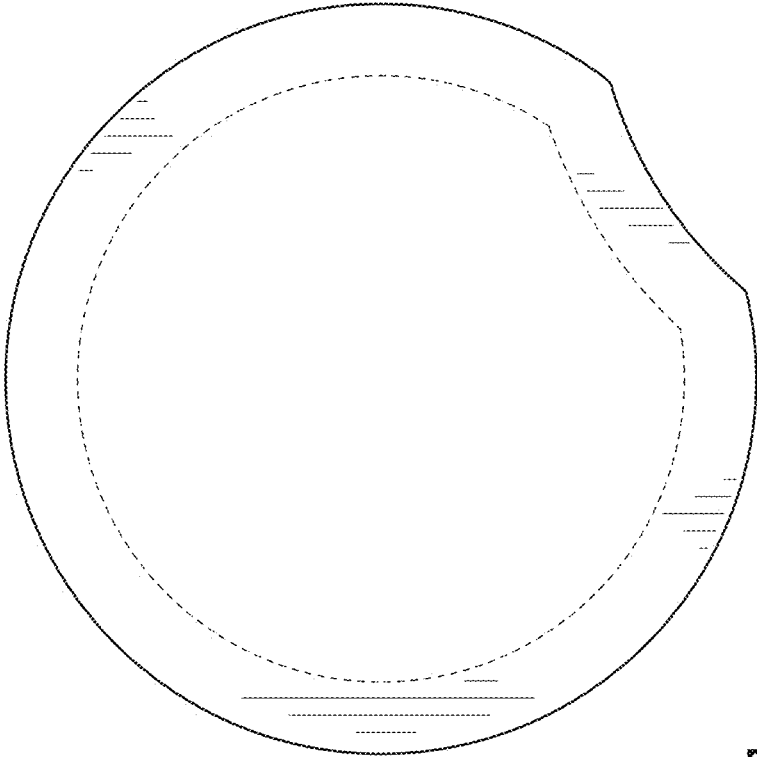


FIG. 7

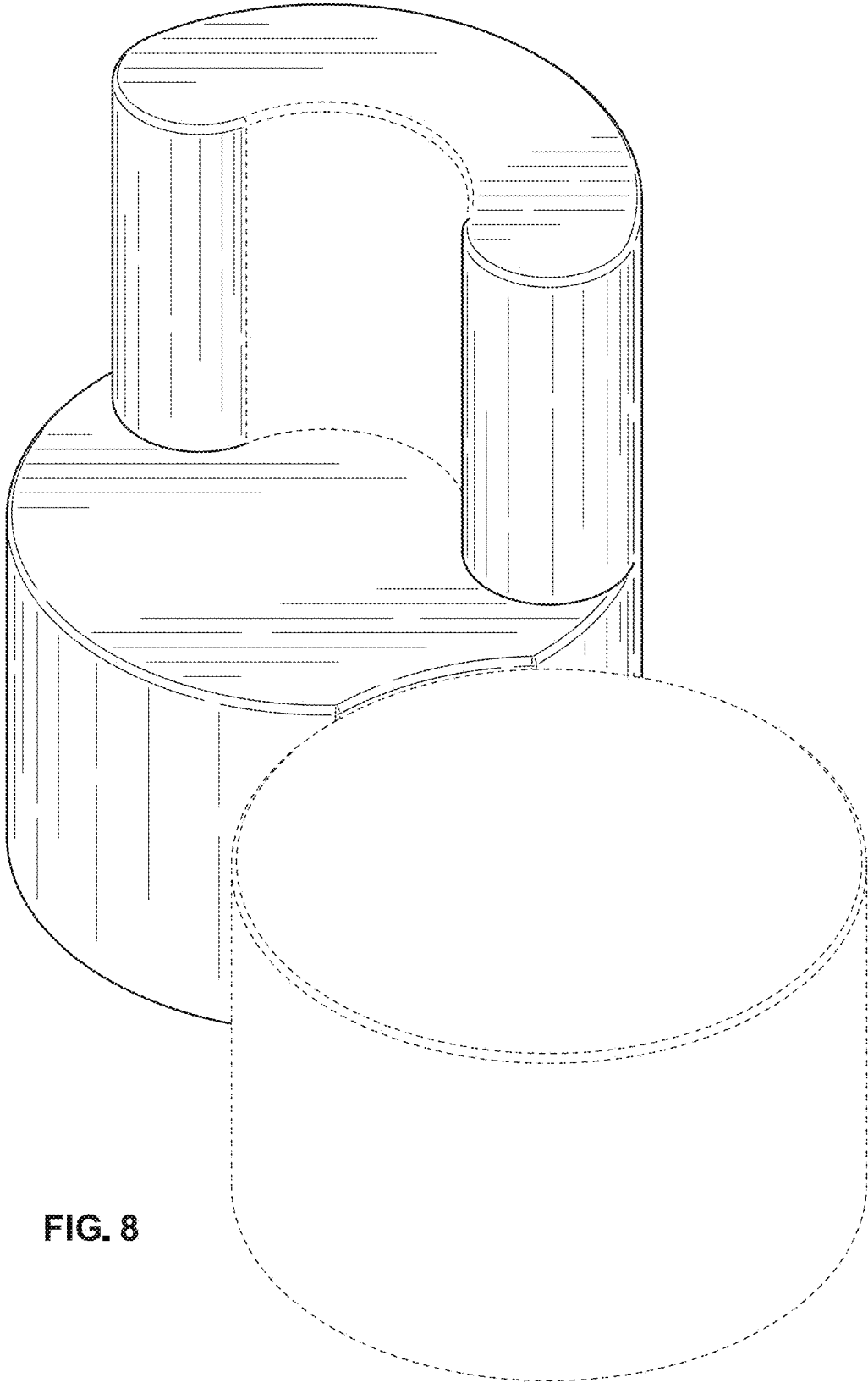


FIG. 8

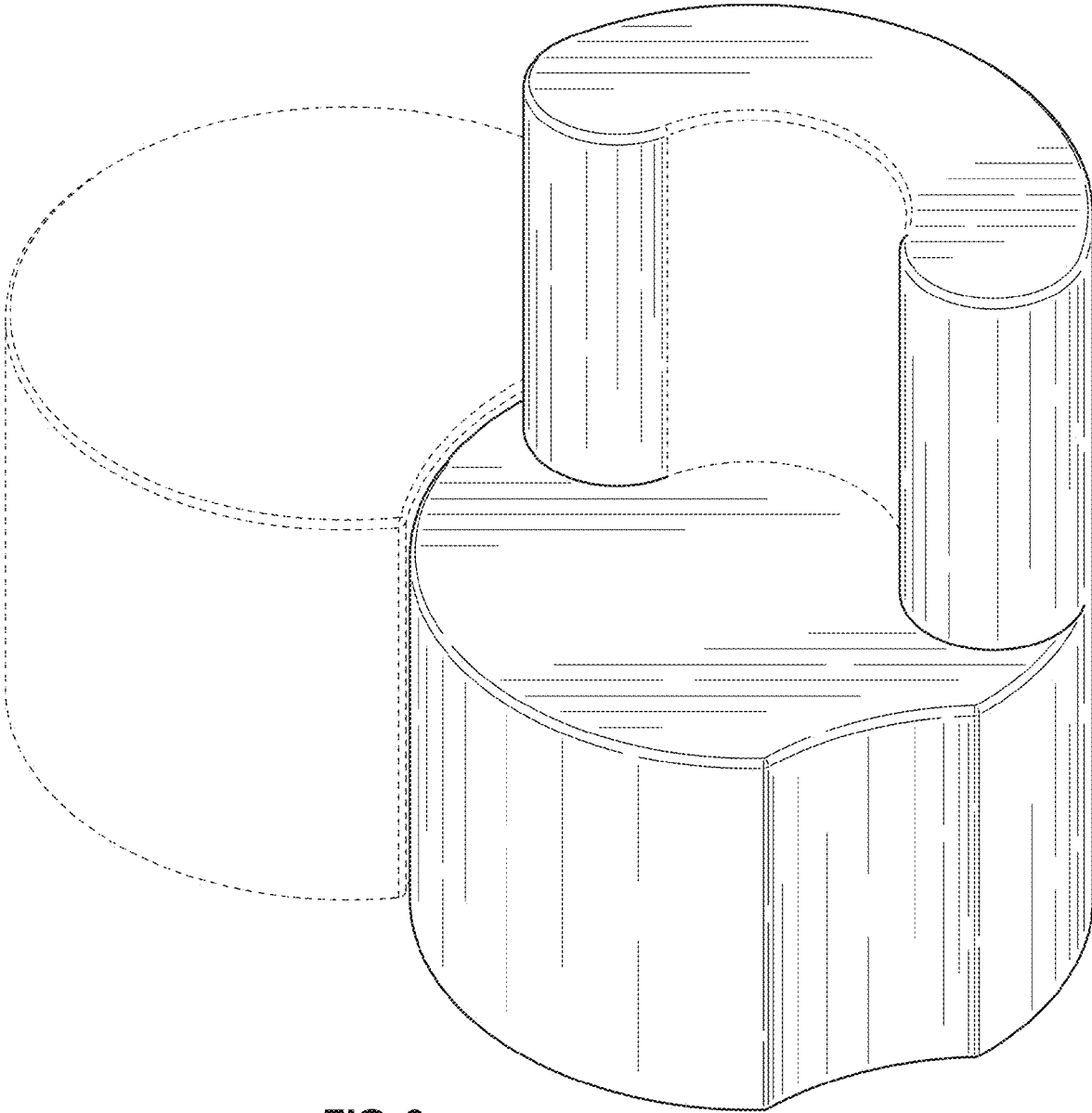


FIG. 9

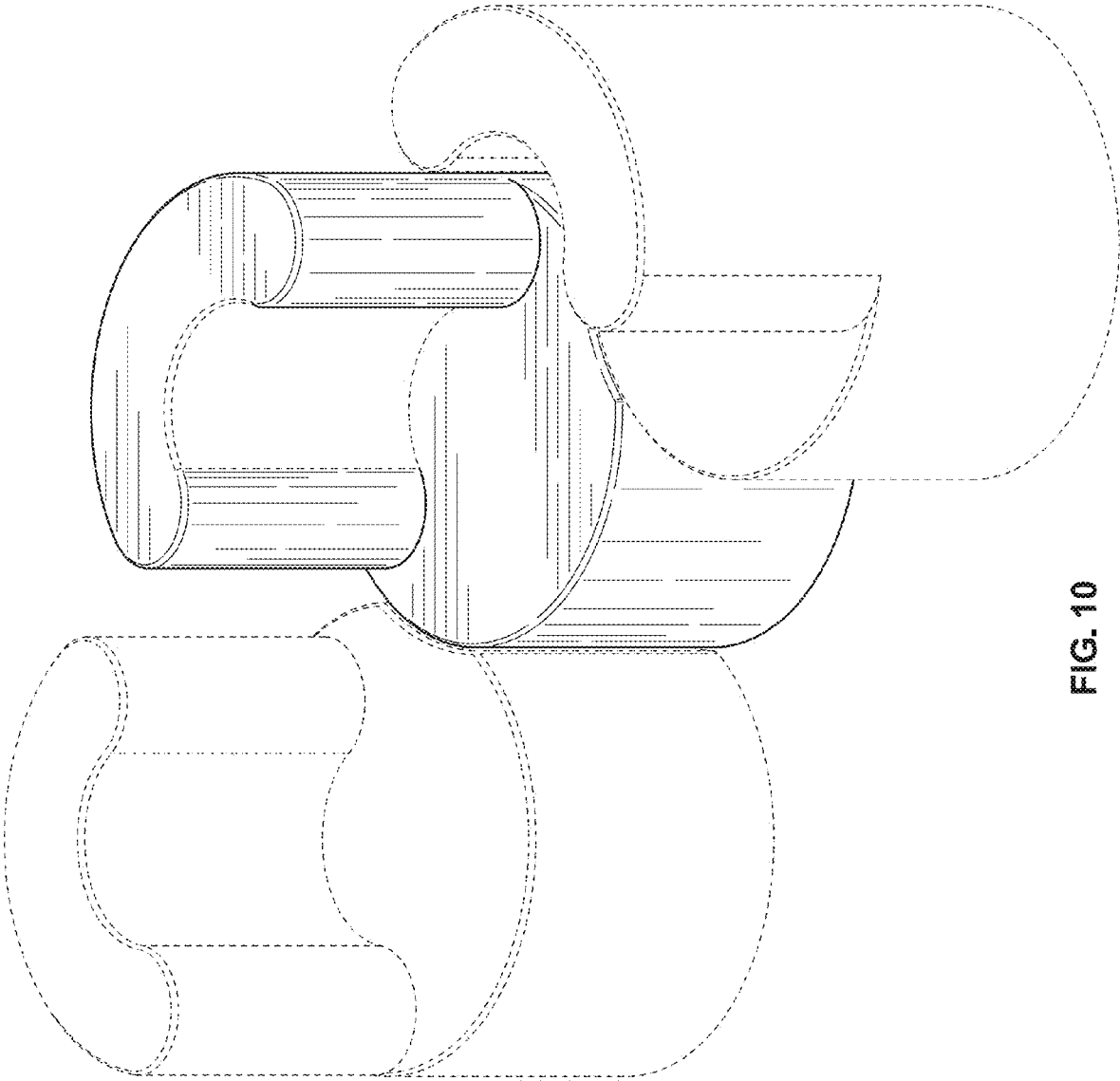


FIG. 10