



(51) International Patent Classification:

H01R 13/52 (2006.01) H01R 13/625 (2006.01)  
H01R 13/213 (2006.01)

(21) International Application Number:

PCT/US2013/047406

(22) International Filing Date:

24 June 2013 (24.06.2013)

(25) Filing Language:

English

(26) Publication Language:

English

(30) Priority Data:

61/773,636 6 March 2013 (06.03.2013) US

(71) Applicant: **MIMOSA NETWORKS, INC.** [US/US]; 300 Orchard City Dr, Suite 100, Campbell, California 95008 (US).

(72) Inventors: **RAMOS, Carlos**; Mimosa Networks, Inc., 300 Orchard City Dr, Suite 100, Campbell, California 95008 (US). **MILLER, Wayne**; Mimosa Networks, Inc., 300 Orchard City Dr, Suite 100, Campbell, California 95008 (US).

(74) Agents: **HENNESSEY, Brian E.** et al.; Carr & Ferrell LLP, 120 Constitution Dr., Menlo Park, California 94025 (US).

(81) Designated States (unless otherwise indicated, for every kind of national protection available):

AE, AG, AL, AM, AO, AT, AU, AZ, BA, BB, BG, BH, BN, BR, BW, BY, BZ, CA, CH, CL, CN, CO, CR, CU, CZ, DE, DK, DM, DO, DZ, EC, EE, EG, ES, FI, GB, GD, GE, GH, GM, GT, HN, HR, HU, ID, IL, IN, IS, JP, KE, KG, KN, KP, KR, KZ, LA, LC, LK, LR, LS, LT, LU, LY, MA, MD, ME, MG, MK, MN, MW, MX, MY, MZ, NA, NG, NI, NO, NZ, OM, PA, PE, PG, PH, PL, PT, QA, RO, RS, RU, RW, SC, SD, SE, SG, SK, SL, SM, ST, SV, SY, TH, TJ, TM, TN, TR, TT, TZ, UA, UG, US, UZ, VC, VN, ZA, ZM, ZW.

(84) Designated States (unless otherwise indicated, for every kind of regional protection available):

ARIPO (BW, GH, GM, KE, LR, LS, MW, MZ, NA, RW, SD, SL, SZ, TZ, UG, ZM, ZW), Eurasian (AM, AZ, BY, KG, KZ, RU, TJ, TM), European (AL, AT, BE, BG, CH, CY, CZ, DE, DK, EE, ES, FI, FR, GB, GR, HR, HU, IE, IS, IT, LT, LU, LV, MC, MK, MT, NL, NO, PL, PT, RO, RS, SE, SI, SK, SM, TR), OAPI (BF, BJ, CF, CG, CI, CM, GA, GN, GQ, GW, KM, ML, MR, NE, SN, TD, TG).

Published:

— with international search report (Art. 21(3))

(54) Title: WATERPROOF APPARATUS FOR CABLES AND CABLE INTERFACES

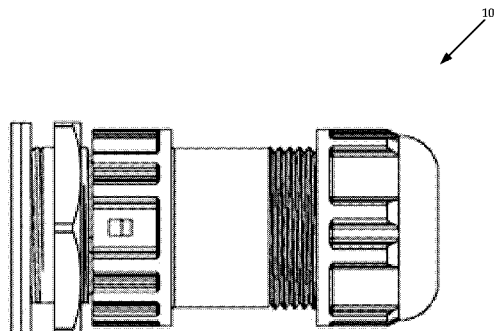


FIG. 1

(57) Abstract: Waterproof apparatus for cables and cable interfaces are provided herein. An exemplary apparatus includes a coupler body that includes a first end configured to releaseably couple with a connector bulkhead and a second end having an opening that is sized to receive a sealing gland, a cavity for receiving the sealing gland, the sealing gland comprising an outer peripheral surface configured to sealingly engage with an inner surface of the cavity, the sealing gland comprising an aperture that is configured to receive a cable.

WO 2014/137370 A1

## WATERPROOF APPARATUS FOR CABLES AND CABLE INTERFACES

### CROSS REFERENCE TO RELATED APPLICATIONS

[0001] This non-provisional utility patent application claims the priority benefit of U.S. Provisional Application Serial Number 61/773,636, filed on March 6, 2013, entitled "Plastic Gland for Waterproof Ethernet Connectivity" which is hereby incorporated by reference herein in its entirety, including all references cited therein.

### FIELD OF THE INVENTION

[0002] The present technology relates to systems and methods for coupling cables. More specifically, but not by way of limitation, the present technology relates to waterproof apparatuses for cables and cable interfaces.

### BACKGROUND

[0003] In general, the installation of a data transmission cable requires the use of connectors that are coupled with terminal ends of the transmission cable. The cable and connectors cooperate to couple two or more data transmission terminals together. Due to cable size variability and connector interface type, technicians fabricate or "re-terminate" cables with connectors in the field. Exemplary cables include Category 5E, Category 6, Category 7, Category 7 Direct Burial, and so forth. Exemplary connector interfaces include RJ45 through GG45. Connector housings that hold the cable and the connector interface may interface with a connector bulkhead, which typically includes a male or female connector interface that is complimentary to the connector interfaces that are coupled with the cable.

## SUMMARY

[0004] According to some embodiments, the present technology is directed to an apparatus, comprising a coupler body that includes a first end configured to releaseably couple with a connector bulkhead and a second end having an opening that is sized to receive a sealing gland, a cavity for receiving the sealing gland, the sealing gland comprising an outer peripheral surface configured to sealingly engage with an inner surface of the cavity, the sealing gland comprising an aperture that is configured to receive a cable.

[0005] According to some embodiments, the present technology is directed to a method for waterproofing a pre-terminated cable and connector. The method comprises: (a) threading the pre-terminated cable and connector through a coupler cap having an angled inner sidewall; (b) placing a sealing gland around the pre-terminated cable in such a way that the sealing gland encircles a section of the pre-terminated cable to form a waterproof seal between the sealing gland and the cable; (c) threading the pre-terminated cable and connector into a coupler body that includes a first end configured to releaseably couple with a connector bulkhead and a second end having a plurality of tabs that form a recess; (d) disposing the sealing gland within the recess; and (e) engaging the coupler cap with the second end of the coupler body such that the plurality of tabs are compressed against the sealing gland by the angled inner sidewall of the coupler cap.

### BRIEF DESCRIPTION OF THE DRAWINGS

[0006] Certain embodiments of the present technology are illustrated by the accompanying figures. It will be understood that the figures are not necessarily to scale and that details not necessary for an understanding of the technology or that render other details difficult to perceive may be omitted. It will be understood that the technology is not necessarily limited to the particular embodiments illustrated herein.

[0007] FIG. 1 is a perspective view of a waterproof apparatus for a cable and a cable interface, constructed in accordance with the present technology;

[0008] FIG. 2 is a cross-sectional view of the waterproof apparatus of FIG. 1; and

[0009] FIG. 3 is an exploded perspective view of the apparatus of FIGS. 1 and 2.

## DESCRIPTION OF EXEMPLARY EMBODIMENTS

[0010] While this technology is susceptible of embodiment in many different forms, there is shown in the drawings and will herein be described in detail several specific embodiments with the understanding that the present disclosure is to be considered as an exemplification of the principles of the technology and is not intended to limit the technology to the embodiments illustrated.

[0011] It will be understood that like or analogous elements and/or components, referred to herein, may be identified throughout the drawings with like reference characters. It will be further understood that several of the figures are merely schematic representations of the present technology. As such, some of the components may have been distorted from their actual scale for pictorial clarity.

[0012] The terminology used herein is for the purpose of describing particular embodiments only and is not intended to be limiting of the invention. As used herein, the singular forms "a", "an" and "the" are intended to include the plural forms as well, unless the context clearly indicates otherwise. It will be further understood that the terms "comprises" and/ or "comprising," when used in this specification, specify the presence of stated features, integers, steps, operations, elements, and/or components, but do not preclude the presence or addition of one or more other features, integers, steps, operations, elements, components, and/or groups thereof.

[0013] In particular, the present system and method provides a secure method for waterproof coupling of connectors of different sizes that provides strain relief. The present technology provides a plastic gland that weatherizes and provides strain relief to a pre-terminated Ethernet cable attached to a bulkhead connector.

[0014] Conventional waterproof couplers often require parts that are specific to the type of cable being connected. This may create a large increase in the number of parts required on-hand by an installing technician. Additionally, waterproof connections often require re-termination of the cable. Re-terminating a cable in the field can cause contamination of the cable leading to reduced transmission capabilities, as well as being time-consuming and tedious. High speed data connections require bigger cables, which leads to even a greater number of parts using conventional waterproof connectors specifically adapted to a specific cable size. A larger range for waterproof connectors is advantageous for accommodating the current wide range of cable sizes, as well as future cables having larger sizes. For example, RJ45 is not a weatherproof connector, and may require waterproofing in various installations. The RJ-45 connector, while ubiquitous for data communications applications, is not designed for extended outdoor use.

[0015] The present technology provides a waterproof cover that attaches over the top of the RJ45 connection and makes it waterproof. The present technology accommodates pre-terminated cables, thereby avoiding re-termination of cables in the field. Additionally, the present technology works with various cable sizes including CAT 5E, CAT 6, CAT 7, CAT 7 Direct Burial, and various connector and coupler sizes including RJ45 through GG45.

[0016] Prior art cable connectors require sliding cable through a rubber grommet, which typically do not have a large dynamic range. The present technology provides a split grommet having a large dynamic range, for instance closed cell foam. The split grommet is put over the cable, and then a piece on the back is screwed to tighten and seal the coupling between the grommet and the cable. Pressure is applied to and carried by the housing over the seal. The split enables the plastic gland provided herein

to be used with a pre-terminated cable, since the connector need not fit through the grommet, but instead the grommet is slid over the cable using the split.

[0017] A lock is formed using a bayonet arrangement that does not need to be waterproof. The lock is thereby reduced to two pieces, compared with a three piece lock in prior art, since there is no requirement of weather proofing on the lock. The lock bayonet thereby reduces the number of parts. A hole in the side of the enclosure for accessing the lock does not impair the weather proofing of the cable connection.

[0018] An advantage of the present technology includes a reduced part count, as well as a bulkhead enclosure that provides secure weather proofing. One grommet may be used, which may be split and made of closed cell foam (having a durometer, for example, of approximately 40), rather than hard rubber (which may have a durometer, for example, of approximately 80). The exemplary grommet provided herein may therefore accommodate a wide dynamic range, including CAT 5E, CAT 6, CAT 7, CAT 7 Direct Burial.

[0019] The waterproof plastic gland provided herein may also reduce strain on the connector by carrying the load from one cable to the next without relying on the strength of the connector. Strain relief of the connector is a significant additional benefit when the cable is hanging, for instance hanging off the side of a building or house.

[0020] Referring now to the drawings, and more particularly to FIGS. 1-3, which collectively illustrate an exemplary apparatus 100. Generally, the apparatus 100 comprises a coupler body 105, a sealing gland 110, and a coupler cap 115. The coupler body 105 is configured to couple with a connector bulkhead 120, as will be described in greater detail below.

[0021] According to some embodiments, the coupler body 105 comprises a first end 125 and a second end 130 that are spaced apart from one another to define a tubular passage. The first end 125 may comprise an interface, such as a bayonet lock 135 that is

configured to lockingly engage with a complementary groove of the connector bulkhead 120. Although a bayonet lock has been described, one of ordinary skill in the art will appreciate that other mechanisms for coupling and/or locking the first end 125 and the connector bulkhead 120 are likewise contemplated for use in accordance with the present technology.

[0022] To create a waterproof seal between the first end 125 and the connector bulkhead 120, a sealing gasket 140 (see FIG. 3) is disposed there between. Thus, when the first end 125 and the connector bulkhead 120 are coupled together using the bayonet lock 135, a waterproof seal is formed there between. As is shown in FIG. 3, the connector bulkhead 120 is shown as comprising a bulkhead connector interface that receives a connector 145 that is coupled to a cable 150. That is, the cable 150 is pre-terminated with a connector 145.

[0023] The second end 130 of the coupler body 105 may comprise a plurality of tabs 155 that extend from the second end 130. In some embodiments, the plurality of tabs 155 are each substantially arcuate in shape and collectively form a ring that extends from the second end 130. This ring comprised of the plurality of tabs 155 forms a cavity or recess 160 that is configured to receive the sealing gland 110. In some embodiments, the second end 130 may not include the plurality of tabs 155, such that the sealing gland 110 is inserted directly into a cavity of the second end 130.

[0024] According to some embodiments, the coupler cap 115 is configured to couple with the second end 130 and enclose the second end 130 to retain the sealing gland 110 therein. In some instances, the coupler cap 115 is configured to engage with the plurality of tabs 155 of the second end 130 to secure the sealing gland 110. More specifically, the coupler cap 115 may be substantially dome-shaped, having an angled inner sidewall 165. In some embodiments, the inner sidewall 165 is substantially frusto-conical shaped. When the coupler cap 115 is threadably engaged with the second end



130, the plurality of tabs 155 engage with the inner sidewall 165 of the coupler cap 115 and are compressed by the inner sidewall 165, against the sealing gland 110. This compression of the sealing gland 110 by the plurality of tabs 155 creates a waterproof seal between the sealing gland 110 and an inner surface 170 of the second end 130. As will be discussed in greater detail below, the compression of the sealing gland 110 by the plurality of tabs 155 also causes the sealing gland to compress an outer peripheral surface 175 of a section of the cable 150 that has been associated with the sealing gland 110.

[0025] In some embodiments, the sealing gland 110 comprises a section of compressible, foam-like material that is fabricated from a waterproof, water resistant, or water repellent material. The sealing gland 110 may be advantageously fabricated from a closed cell foam, although one of ordinary skill in the art will appreciate that the sealing gland may be fabricated from any number of materials, so long as the material is compressible and capable of forming a waterproof seal between the inner sidewall of a coupler body and the outer sidewall of a cable.

[0026] In accordance with the present disclosure, the sealing gland 110 may comprise an annular ring of a closed cell foam, where the sealing gland 110 comprises a given thickness that varies according to design requirements. The sealing gland 110 includes a hole or aperture 185 that is sized to receive a section of a cable, such as the pre-terminated cable 150. The sealing gland 110 also includes a slit 190 that allows the sealing gland to be pressed over the cable 150, where the cable 150 travels through the slit 190 such that the cable 150 is received within the aperture 185. The sealing gland 110 comprises a first surface 190A and a second surface 190B formed by the slit 190.

[0027] Advantageously, the sealing gland 110 encircles the section of the cable 180 and forms a waterproof interface therebetween. Because the sealing gland 110 is made from a foam material that is waterproof, the aperture 185 of the sealing gland 110 is

capable of receiving cables of varying diameter. Cables of larger diameter are readily compressed by the sealing gland 110, while cables of relatively smaller diameter may require compression of the sealing gland 110 by the coupler cap 115.

[0028] Additionally, because the sealing gland 110 is fabricated from a resilient material, the first and second surfaces 190A and 190B are contiguous (e.g., touching) after the cable 150 to pass through the slit 190.

[0029] Moreover, sealing gland 110 is free to slide along the cable 150, which is advantageous when assembling the apparatus 100, as will be described in greater detail below.

[0030] In some embodiments, the coupler cap 115 may comprise an open end 195 that is sized to receive a pre-terminated cable. That is, the open end 195 may be sized to receive not only the cable 150, but also the connector 145 that has been associated with the cable 150. Even though the coupler cap 115 includes the open end 195, the sealing gland 110 prevents water or other contaminants from contaminating the coupler body 105, the connector 145, or the connector bulkhead 120.

[0031] In operation, the pre-terminated cable is threaded through the open end 195 of the coupler cap 115. The sealing gland 110 is associated with a section of the cable 150 by aligning the slit 190 of the sealing gland 110 with the section and pressing the sealing gland 110 onto the cable 150 until the cable is received within the aperture 185 of the sealing gland 110. Next, the connector 145 may be joined with the connector bulkhead 120. It is noteworthy that in some instances, a sealing gasket 140 may be disposed between the first end 125 of the connector bulkhead 120, before the first end 125 of the coupler body 105 is coupled to the connector bulkhead 120.

[0032] The sealing gland 110 is positioned within the cavity 160 formed by the plurality of tabs 155. To secure the sealing gland 110 and create a waterproof seal between the second end 130, the sealing gland 110, and the cable 180, the coupler cap

115 is coupled with the second end 130. Again, coupling the coupler cap 115 with the second end 130 causes the angled inner sidewall 165 of the coupler cap 115 to engage with the ends of the plurality of tabs 155, compressing the plurality of tabs 155 inwardly towards the cable 180, while also compressing the sealing gland 110 against the cable 180.

[0033] Other methods for compressing the sealing gland 110 may include a band or clip that is configured to cinch down against the plurality of tabs 155. As mentioned above, the sealing gland 110 may not include the plurality of tabs 155. The sealing gland 110 may be deformed or compressed by the user and inserted into the second end 130. The resiliency of the material of the sealing gland 110 will cause the sealing gland 110 to expand and fill the second end 130, creating the waterproof interface.

[0034] While various embodiments have been described above, it should be understood that they have been presented by way of example only, and not limitation. The descriptions are not intended to limit the scope of the technology to the particular forms set forth herein. Thus, the breadth and scope of a preferred embodiment should not be limited by any of the above-described exemplary embodiments. It should be understood that the above description is illustrative and not restrictive. To the contrary, the present descriptions are intended to cover such alternatives, modifications, and equivalents as may be included within the spirit and scope of the technology as defined by the appended claims and otherwise appreciated by one of ordinary skill in the art. The scope of the technology should, therefore, be determined not with reference to the above description, but instead should be determined with reference to the appended claims along with their full scope of equivalents.

## CLAIMS

What is claimed is:

1. An apparatus, comprising a coupler body that includes a first end configured to releaseably couple with a connector bulkhead and a second end having an opening that is sized to receive a sealing gland, a cavity for receiving the sealing gland, the sealing gland comprising an outer peripheral surface configured to sealingly engage with an inner surface of the cavity, the sealing gland comprising an aperture that is configured to receive a cable.
2. The apparatus according to claim 1, further comprising a sealing gasket associated with the first end of the coupler body, the sealing gasket forming a waterproof seal between the first end of the coupler body and the connector bulkhead.
3. The apparatus according to claim 1, wherein the coupler body further comprises:  
a plurality of tabs that extend from the second end of the coupler body, the plurality of tabs forming a recess that receives the sealing gland; and  
a coupler cap that is configured to releaseably engage with the second end of the coupler body, the coupler cap having a domed profile that causes the plurality of tabs to compress against the sealing gland when the coupler cap is engaged with the second end.
4. The apparatus according to claim 3, wherein each of the plurality of tabs is arcuate.

5. The apparatus according to claim 3, wherein the coupler cap comprises a frusto-conical inner sidewall.
6. The apparatus according to claim 1, wherein the sealing gland is an annular member having a slit that allows a cable to pass therethrough, allowing the sealing gland to encircle the cable in a waterproof manner.
7. The apparatus according to claim 6, wherein the sealing gland comprises a first surface and a second surface formed by the slit, the first and second surfaces being contiguous after the cable to passes through the slit.
8. The apparatus according to claim 1, wherein the first end comprises a bayonet arrangement that lockingly engages with the connector bulkhead.
9. The apparatus according to claim 1, wherein the cable comprises any of Category 5E, Category 6, Category 7, and Category 7 Direct Burial.
10. The apparatus according to claim 1, wherein the sealing gland comprises a closed cell foam.
11. A method for waterproofing a pre-terminated cable and connector, the method comprising:
  - threading the pre-terminated cable and connector through a coupler cap having an angled inner sidewall;
  - placing a sealing gland around the pre-terminated cable in such a way that the sealing gland encircles a section of the pre-terminated cable to form a waterproof seal between the sealing gland and the cable;

threading the pre-terminated cable and connector into a coupler body that includes a first end configured to releaseably couple with a connector bulkhead and a second end having a plurality of tabs that form a recess;

disposing the sealing gland within the recess; and

engaging the coupler cap with the second end of the coupler body such that the plurality of tabs are compressed against the sealing gland by the angled inner sidewall of the coupler cap.

12. The method according to claim 11, further comprising:

associating a sealing gasket with the first end of the coupler body; and

coupling the first end of the coupler body with a bulkhead connector, the sealing gasket forming a waterproof barrier between the first end and the bulkhead connector.

13. The method according to claim 11, further comprising pre-terminating the cable by coupling the cable with the connector.

14. The method according to claim 11, wherein placing a sealing gland around the pre-terminated cable comprises aligning the section of the cable with a slit of the sealing gland; and pushing the sealing gland through the slit and onto the section of the cable.

1/3

100

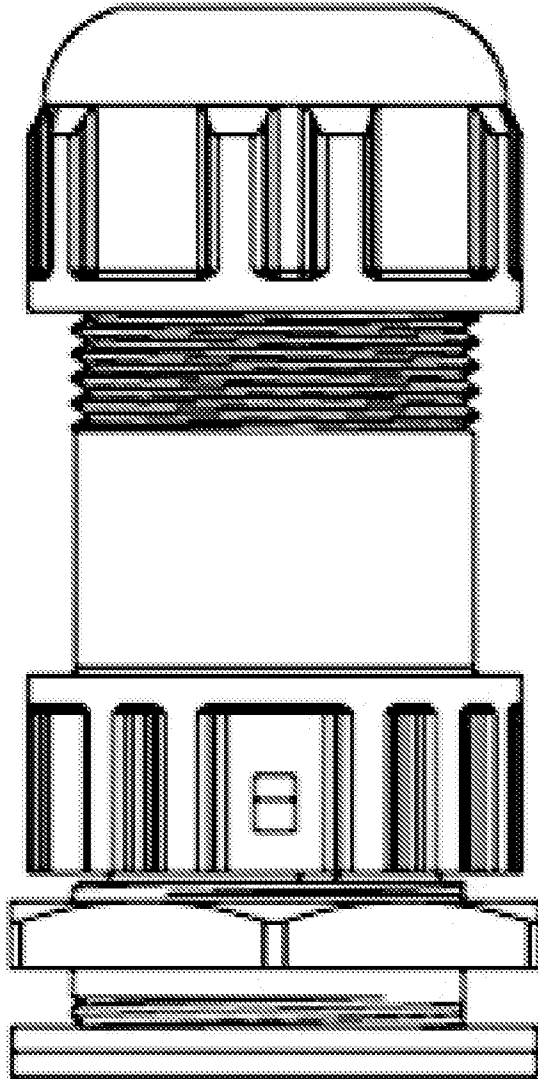


FIG. 1

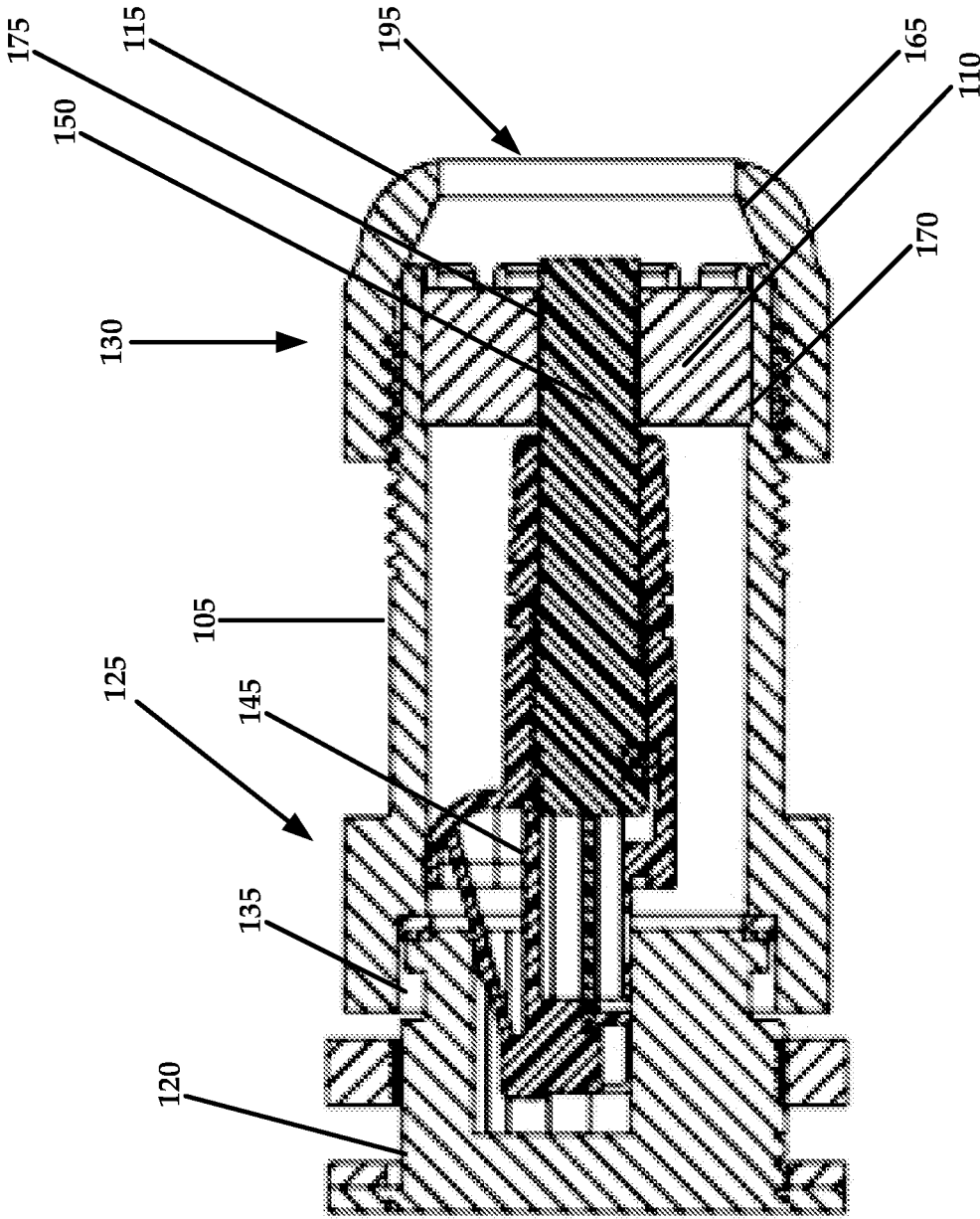
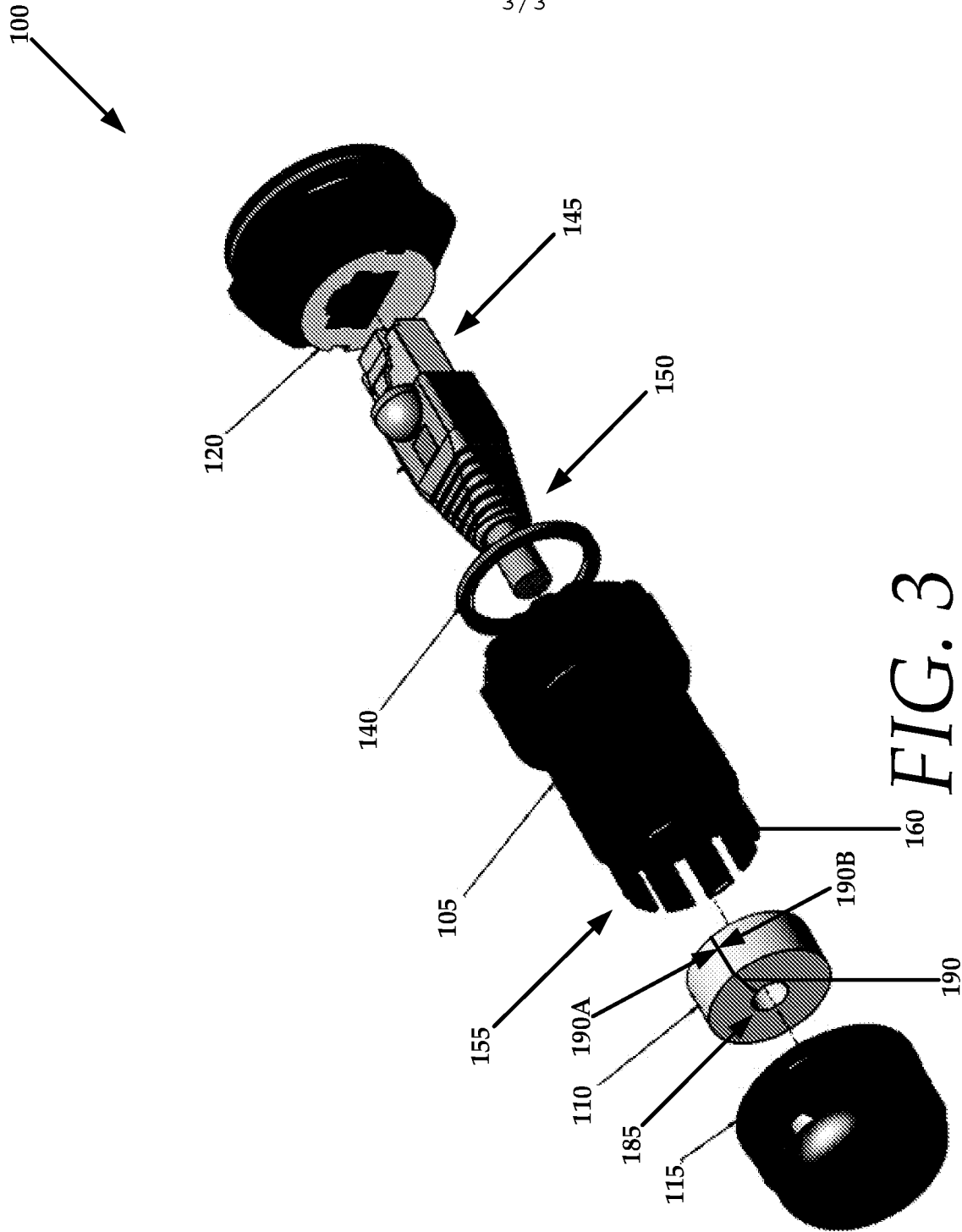


FIG. 2





**INTERNATIONAL SEARCH REPORT**

International application No.

PCT/US13/47406

**A. CLASSIFICATION OF SUBJECT MATTER**  
 IPC(8) - H01R 13/52, 13/213, 13/625 (2013.01)  
 USPC - 439/271, 275, 286  
 According to International Patent Classification (IPC) or to both national classification and IPC

**B. FIELDS SEARCHED**  
 Minimum documentation searched (classification system followed by classification symbols)  
 IPC(8) Classification(s): H01R 13/52, 13/213, 13/625 (2013.01)  
 USPC Classification(s): 439/271, 275, 286

Documentation searched other than minimum documentation to the extent that such documents are included in the fields searched

Electronic data base consulted during the international search (name of data base and, where practicable, search terms used)  
 MicroPatent (US Granted, US Applications, EP-A, EP-B, WO, JP, DE-G, DE-A, DE-T, DE-U, GB-A, FR-A); DialogPro (Derwent, INSPEC, NTIS, PASCAL, Current Contents Search, Dissertation Abstracts Online, Inside Conferences); IEEE.org; Google Scholar; KEYWORDS: waterproof, weatherproof, environment\* adj seal\*, Ethernet\*, category\*, 5E, cable\*, cord\*, splice\*, adapt\*, coupl\*, clamp\*, protrusion\*

**C. DOCUMENTS CONSIDERED TO BE RELEVANT**

Category*	Citation of document, with indication, where appropriate, of the relevant passages	Relevant to claim No.
X ---	US 7,507,105 B1 (PETERS, M et al.) March 24, 2009; figures 2-9; column 1, lines 25-30; column 4, lines 40-51; column 4, lines 35-41	1, 3-7, 11, 13, 14 ---
Y		2, 8-10, 12
Y	US 2006/0172578 A1 (PARSONS, S) August 3, 2006; figures 1 and 2; paragraph [0044]	2, 12
Y	US 2010/0210147 A1 (HAUSER, T) August 19, 2010; figure 8; paragraph [0046]	8
Y	US 2009/0233475 A1 (MILDON, W et al.) September 17, 2009; figure 2A-B; paragraph [0036]	9
Y	US 5,746,611 A (BROWN, M et al.) May 5, 1998; figures 1-3; column 2, lines 14-27	10

Further documents are listed in the continuation of Box C.

\* Special categories of cited documents:

"A" document defining the general state of the art which is not considered to be of particular relevance	"T" later document published after the international filing date or priority date and not in conflict with the application but cited to understand the principle or theory underlying the invention
"E" earlier application or patent but published on or after the international filing date	"X" document of particular relevance; the claimed invention cannot be considered novel or cannot be considered to involve an inventive step when the document is taken alone
"L" document which may throw doubts on priority claim(s) or which is cited to establish the publication date of another citation or other special reason (as specified)	"Y" document of particular relevance; the claimed invention cannot be considered to involve an inventive step when the document is combined with one or more other such documents, such combination being obvious to a person skilled in the art
"O" document referring to an oral disclosure, use, exhibition or other means	"&" document member of the same patent family
"P" document published prior to the international filing date but later than the priority date claimed	

Date of the actual completion of the international search 5 November 2013 (05.11.2013)	Date of mailing of the international search report <b>26 NOV 2013</b>
---	--

Name and mailing address of the ISA/US Mail Stop PCT, Attn: ISA/US, Commissioner for Patents P.O. Box 1450, Alexandria, Virginia 22313-1450 Facsimile No. 571-273-3201	Authorized officer: Shane Thomas  PCT Helpdesk: 571-272-4300 PCT OSP: 571-272-7774
---	--