



(12) **United States Design Patent**
Webb, II et al.

(10) **Patent No.:** **US D809,040 S**
(45) **Date of Patent:** **** Jan. 30, 2018**

- (54) **MULTIMEDIA TERMINAL**
- (71) Applicant: **Samsung Electronics Co., Ltd.**,
Gyeonggi-do (KR)
- (72) Inventors: **William Duncan Webb, II**, San Francisco, CA (US); **Chris Harsacky**, Walnut Creek, CA (US); **Shweta Grampurohit**, Sunnyvale, CA (US); **Mohammad Tanabian**, San Jose, CA (US); **Robert Christensen**, Belmont, CA (US); **Dion Isselhardt**, Saratoga, CA (US); **Chunkwok Lee**, Santa Clara, CA (US)

D475,381 S *	6/2003	Komatsu	D16/202
D500,067 S *	12/2004	Liu	D16/202
D533,152 S *	12/2006	Nakata	D14/126
D545,860 S *	7/2007	Miyazaki	D16/202
D562,870 S *	2/2008	Komatsu	D16/203
D565,070 S *	3/2008	Kim	D16/202
D590,863 S *	4/2009	Ke	D16/202
D594,870 S *	6/2009	Leung	D14/480.2
D628,223 S *	11/2010	Kao	D16/202
D644,256 S *	8/2011	Kitano	D15/199
D648,766 S *	11/2011	Chen	D16/202
D685,438 S *	7/2013	Fan	D15/199

(Continued)

- (73) Assignee: **Samsung Electronics Co., Ltd.**, Suwon-si (KR)

OTHER PUBLICATIONS
Samsung Unveils "Otto" IoT Assistant Robot at SDC 2016, posted at androidheadlines.com, posting date Apr. 28, 2016, [online], [site visited Jun. 12, 2017]. Available from Internet, <URL: <https://www.androidheadlines.com/2016/04/samsung-unveils-otto-iot-assistant-robot-sdc-2016.html>>.*

(**) Term: **15 Years**

Primary Examiner — Susan E Krakower
Assistant Examiner — L. A. Grabenstetter
(74) *Attorney, Agent, or Firm* — Lewis Roca Rothgerber Christie LLP

(21) Appl. No.: **29/555,137**

(22) Filed: **Feb. 18, 2016**

(51) **LOC (11) Cl.** **15-99**

(52) **U.S. Cl.**
USPC **D15/199**

(58) **Field of Classification Search**
USPC D13/180; D14/124, 125, 126, 129, 133, D14/314, 317, 336, 348-351, 356, 420; D15/199; D16/200, 201, 202, 203, D16/205-221, 225, 232, 235; D21/576, D21/577, 578; D26/2, 40
CPC G03B 15/03; G03B 19/04; H04N 5/2251-5/2254
See application file for complete search history.

(57) **CLAIM**

The ornamental design for a multimedia terminal, as shown and described.

DESCRIPTION

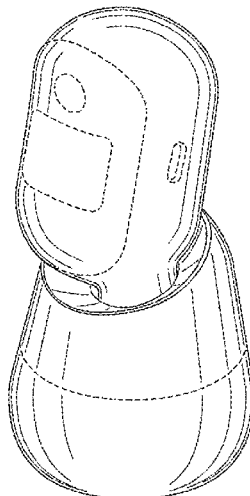
FIG. 1 is a perspective view of a multimedia terminal; FIG. 2 is a front view thereof; FIG. 3 is a rear view thereof; FIG. 4 is a bottom view thereof; FIG. 5 is a top view thereof; FIG. 6 is a left side view thereof; and, FIG. 7 is a right side view thereof. The broken lines shown in the drawings illustrate portions of the multimedia terminal that form no part of the claimed design.

(56) **References Cited**

U.S. PATENT DOCUMENTS

D150,006 S *	6/1948	Fung	D21/577
D340,253 S *	10/1993	Fedorczak	348/143
D410,479 S *	6/1999	Sawai	D16/202
D454,902 S *	3/2002	Hsu	D16/202

1 Claim, 3 Drawing Sheets



(56)

References Cited

U.S. PATENT DOCUMENTS

D710,953	S *	8/2014	Katsutani	D15/199
D719,202	S *	12/2014	Lee	D16/202
D725,166	S *	3/2015	Paik	D15/199
D731,180	S *	6/2015	Neuhaus	D3/273
D739,397	S *	9/2015	Akana	D14/314
D746,886	S *	1/2016	Breazeal	D15/199
D754,653	S *	4/2016	Marciniak	D14/314
D766,644	S *	9/2016	Huang	D15/199
2005/0057656	A1 *	3/2005	Chardon	H04N 5/2252 348/207.99
2007/0017915	A1 *	1/2007	Weder	B65D 21/086 220/4.21

* cited by examiner

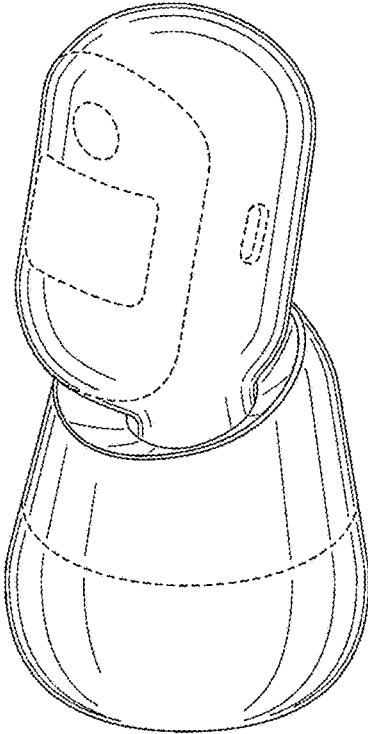


FIG. 1

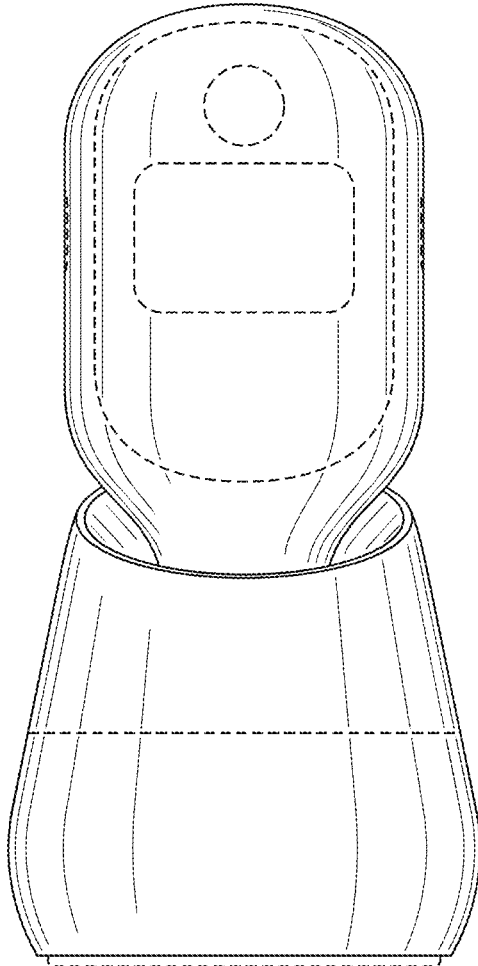


FIG. 2

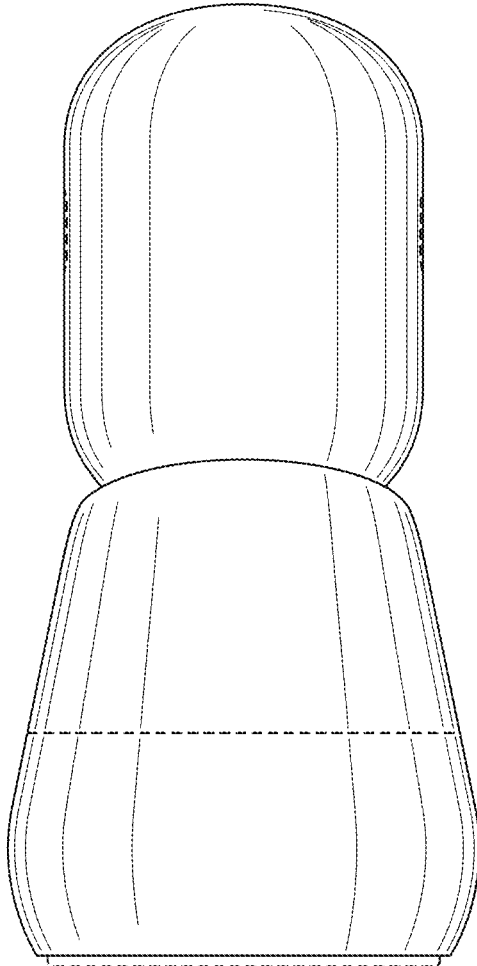


FIG. 3

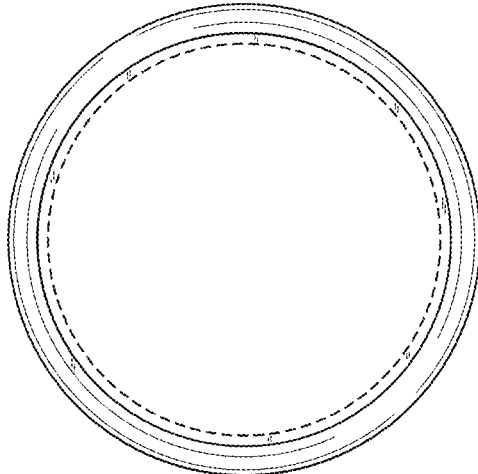


FIG. 4

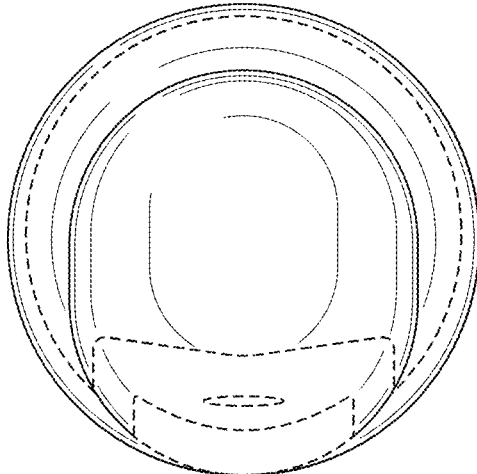


FIG. 5

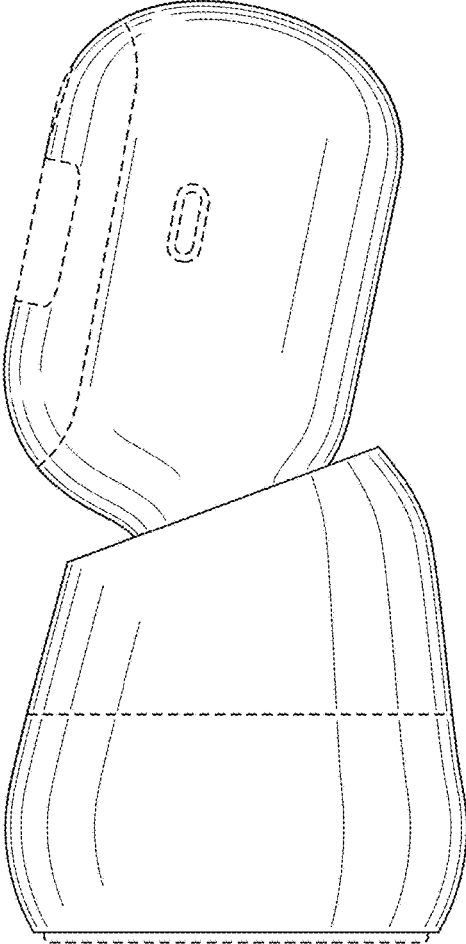


FIG. 6

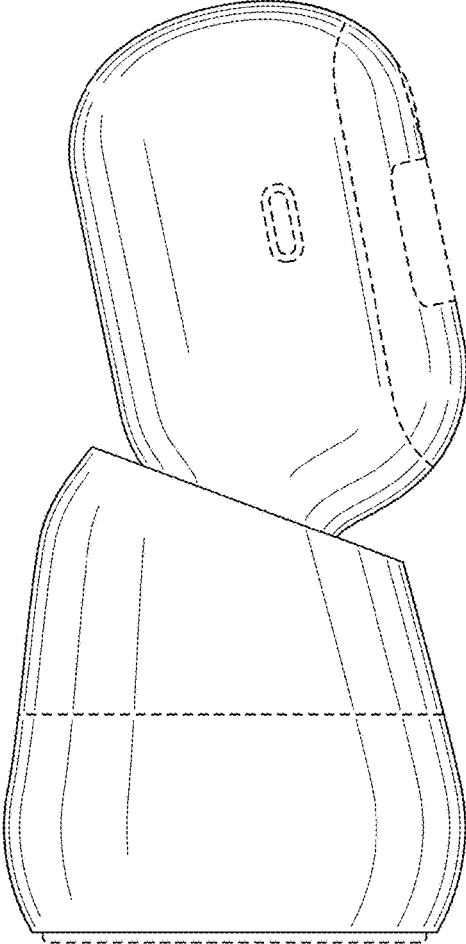


FIG. 7