



US00D935370S

(12) **United States Design Patent**
Mukti

(10) **Patent No.:** **US D935,370 S**

(45) **Date of Patent:** **** Nov. 9, 2021**

- (54) **VEHICLE WHEEL**
- (71) Applicant: **Quarsa, LLC**, Chino, CA (US)
- (72) Inventor: **Ali Mukti**, Surabaya (ID)
- (73) Assignee: **Quarsa, LLC**, Chino, CA (US)
- (**) Term: **15 Years**
- (21) Appl. No.: **29/738,850**
- (22) Filed: **Jun. 19, 2020**
- (51) **LOC (13) Cl.** **12-16**
- (52) **U.S. Cl.**
USPC **D12/209**
- (58) **Field of Classification Search**
USPC D12/204–213; D21/563
CPC B60B 7/00; B60B 7/02; B60B 7/04; B60B
7/01; B60B 7/06; B60B 3/02; B60B 3/04;
B60B 3/06; B60B 3/10; B60B 1/00;
B60B 1/08; B60B 1/10; B60B 1/12
See application file for complete search history.

D756,282 S *	5/2016	Zhao	D12/209
D764,370 S *	8/2016	Chung	D12/209
D774,436 S *	12/2016	Valencia Pollex	D12/209
D830,933 S *	10/2018	Zhao	D12/209
D833,945 S *	11/2018	Henderson	D12/209
D842,792 S *	3/2019	Han	D12/209
D842,796 S *	3/2019	Groth	D12/209
D853,302 S *	7/2019	Khachatryan	D12/209
D858,406 S *	9/2019	Johnson	D12/209
D859,262 S *	9/2019	De Jung	D12/209
D859,265 S *	9/2019	Guidry	D12/209
D863,179 S *	10/2019	Gallert	D12/209
D873,756 S *	1/2020	Melville-Brown	D12/209
D895,520 S *	9/2020	Badstuebner	D12/211
D899,995 S *	10/2020	Platto	D12/209
D902,116 S *	11/2020	Han	D12/209
D908,066 S *	1/2021	Mukti	D12/209

* cited by examiner

Primary Examiner — Stacia A Cadmus

(74) *Attorney, Agent, or Firm* — Snell & Wilmer L.L.P.

(57) **CLAIM**

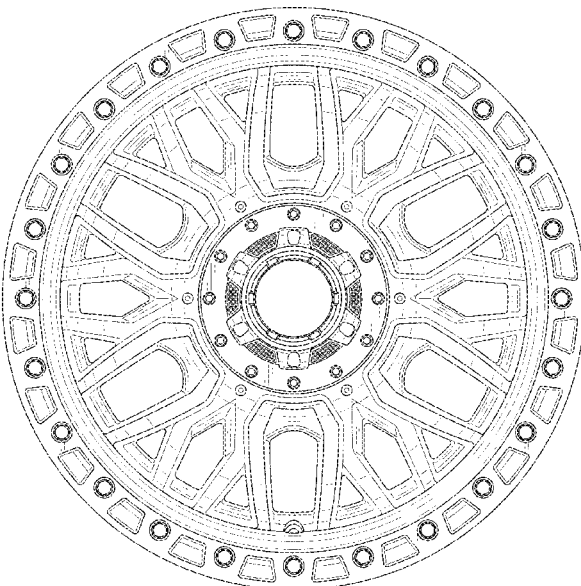
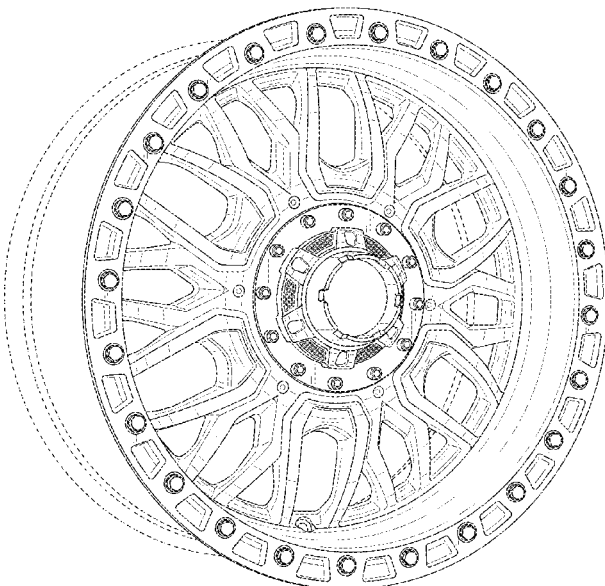
I claim the ornamental design for a vehicle wheel, as shown and described.

DESCRIPTION

FIG. 1 is a front perspective view of the vehicle wheel showing my new design; and,
FIG. 2 is a front view of the vehicle wheel of FIG. 1.
In the drawings, the broken lines depict portions of the wheel that form no part of the claimed design.

1 Claim, 2 Drawing Sheets

- (56) **References Cited**
U.S. PATENT DOCUMENTS
- D353,571 S * 12/1994 Braungart D12/211
- D398,898 S * 9/1998 Baumgartner D12/211
- D406,092 S * 2/1999 Baumgartner D12/211
- D635,076 S * 3/2011 De Bono D12/209
- D660,769 S * 5/2012 Pollmann D12/211
- D661,239 S * 6/2012 Pollmann D12/209
- D723,990 S * 3/2015 Muntada Roura D12/209



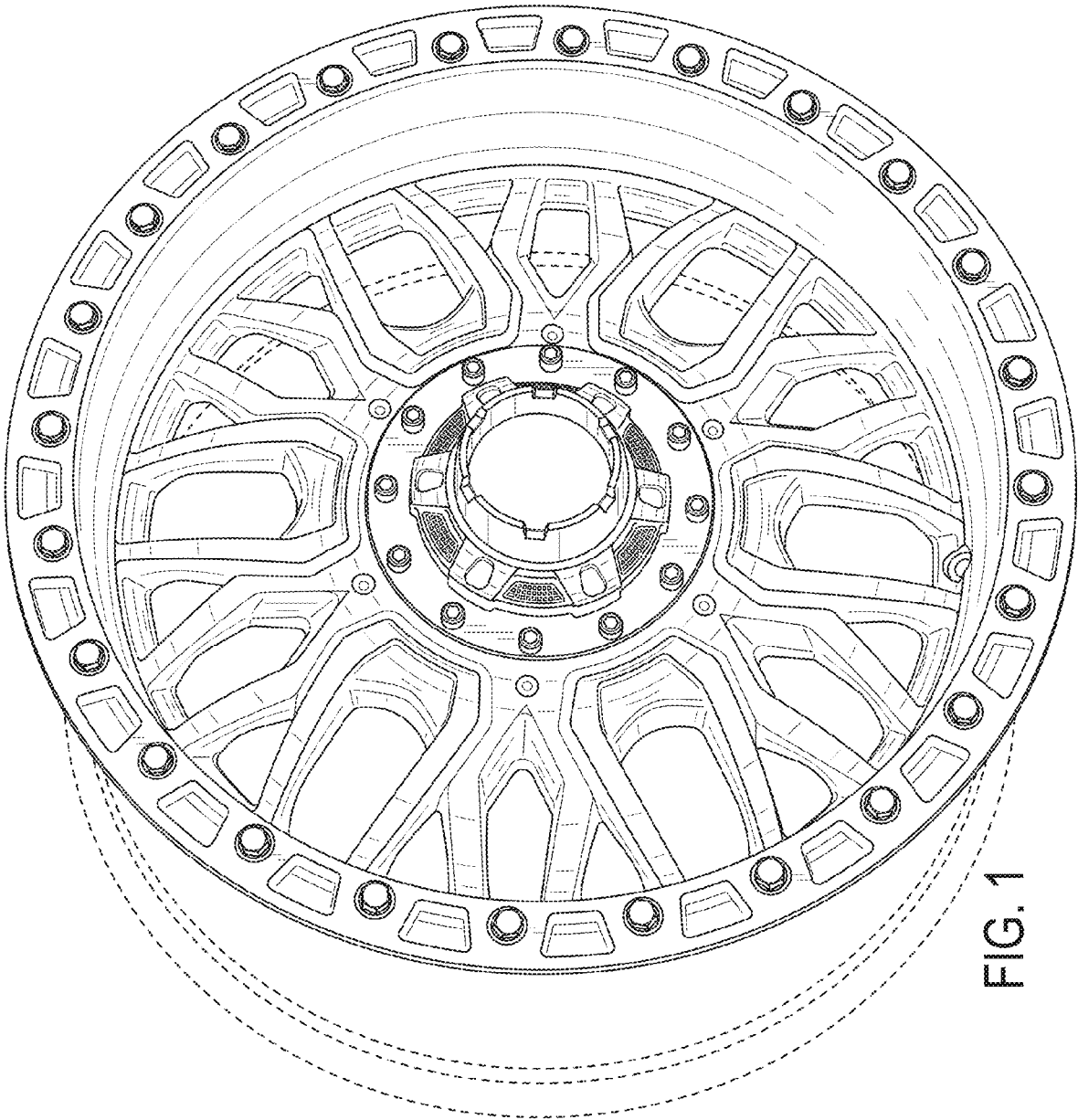


FIG. 1

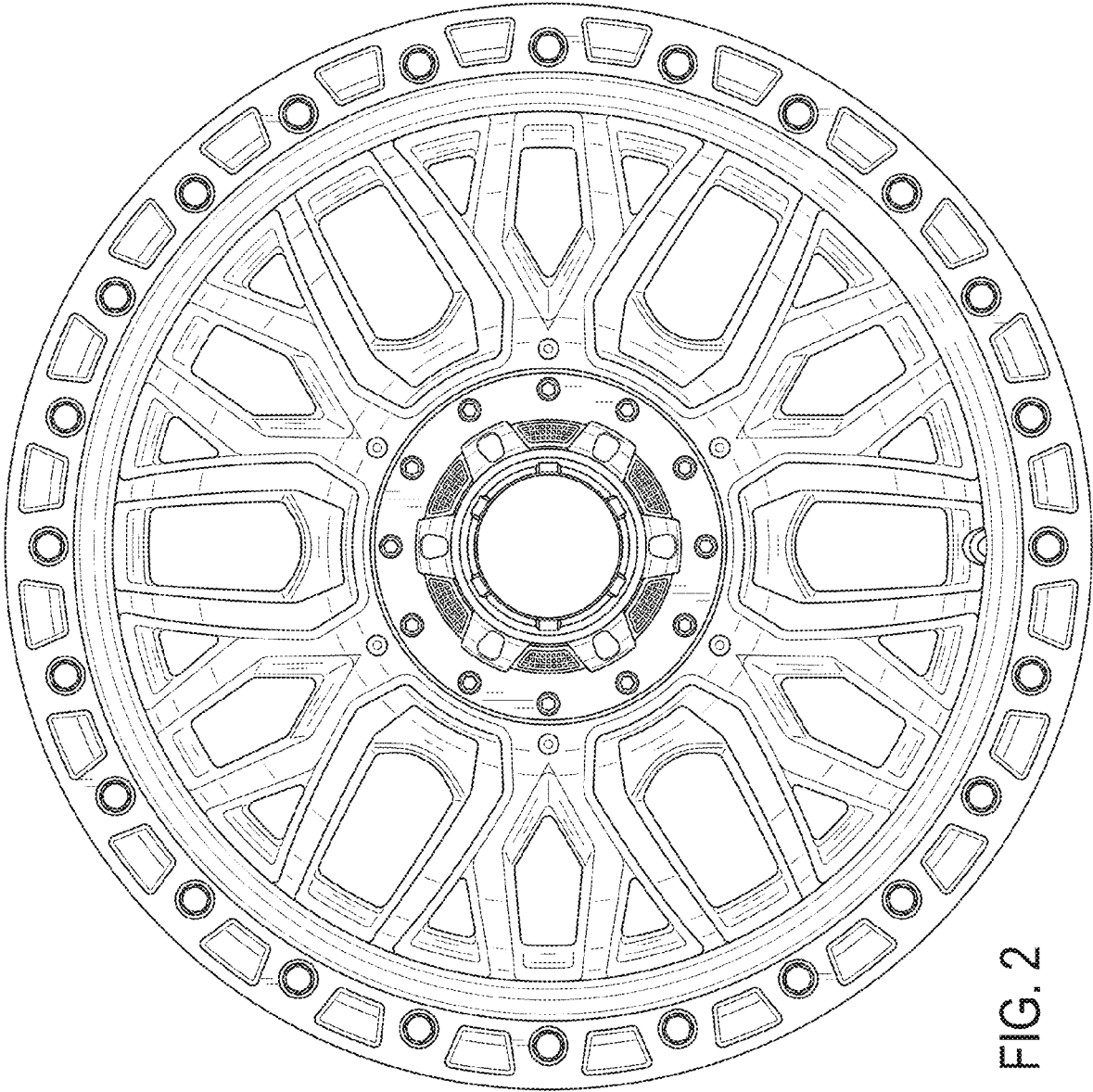


FIG. 2