

(19) World Intellectual Property Organization
International Bureau



(43) International Publication Date
12 April 2007 (12.04.2007)

PCT

(10) International Publication Number
WO 2007/041483 A3

(51) International Patent Classification:
A63G 21/02 (2006.01) A63G 31/16 (2006.01)
A63G 21/08 (2006.01)

(21) International Application Number:
PCT/US2006/038413

(22) International Filing Date:
28 September 2006 (28.09.2006)

(25) Filing Language: English

(26) Publication Language: English

(30) Priority Data:
11/240,414 30 September 2005 (30.09.2005) US

AT, AU, AZ, BA, BB, BG, BR, BW, BY, BZ, CA, CH, CN, CO, CR, CU, CZ, DE, DK, DM, DZ, EC, EE, EG, ES, FI, GB, GD, GE, GH, GM, HN, HR, HU, ID, IL, IN, IS, JP, KE, KG, KM, KN, KP, KR, KZ, LA, LC, LK, LR, LS, LT, LU, LV, LY, MA, MD, MG, MK, MN, MW, MX, MY, MZ, NA, NG, NI, NO, NZ, OM, PG, PH, PL, PT, RO, RS, RU, SC, SD, SE, SG, SK, SL, SM, SV, SY, TJ, TM, TN, TR, TT, TZ, UA, UG, US, UZ, VC, VN, ZA, ZM, ZW.

(84) Designated States (unless otherwise indicated, for every kind of regional protection available): ARIPO (BW, GH, GM, KE, LS, MW, MZ, NA, SD, SL, SZ, TZ, UG, ZM, ZW), Eurasian (AM, AZ, BY, KG, KZ, MD, RU, TJ, TM), European (AT, BE, BG, CH, CY, CZ, DE, DK, EE, ES, FI, FR, GB, GR, HU, IE, IS, IT, LT, LU, LV, MC, NL, PL, PT, RO, SE, SI, SK, TR), OAPI (BF, BJ, CF, CG, CI, CM, GA, GN, GQ, GW, ML, MR, NE, SN, TD, TG).

(71) Applicant (for all designated States except US): UNIVERSAL CITY STUDIOS LLLP [US/US]; 100 Universal City Plaza, Universal City, CA 91608 (US).

(72) Inventors; and

(75) Inventors/Applicants (for US only): BLUM, Steven, C. [US/US]; 7718 Bardmoor Hill Circle, Orlando, FL 32835 (US). KIDDOO, Michael, R. [US/US]; 7326 Wethersfield Drive, Orlando, FL 32819 (US). TROWBRIDGE, Scott, R. [US/US]; 1036 Oakdale Street, Windermere, FL 34786 (US).

(74) Agents: PHILLIPS, Roger, C. et al.; GENERAL ELECTRIC COMPANY, GLOBAL PATENT OPERATION, 187 Danbury Road, Suite 204, Wilton, CT 06897 (US).

(81) Designated States (unless otherwise indicated, for every kind of national protection available): AE, AG, AL, AM,

Declarations under Rule 4.17:

- as to applicant's entitlement to apply for and be granted a patent (Rule 4.17(ii))
- as to the applicant's entitlement to claim the priority of the earlier application (Rule 4.17(iii))

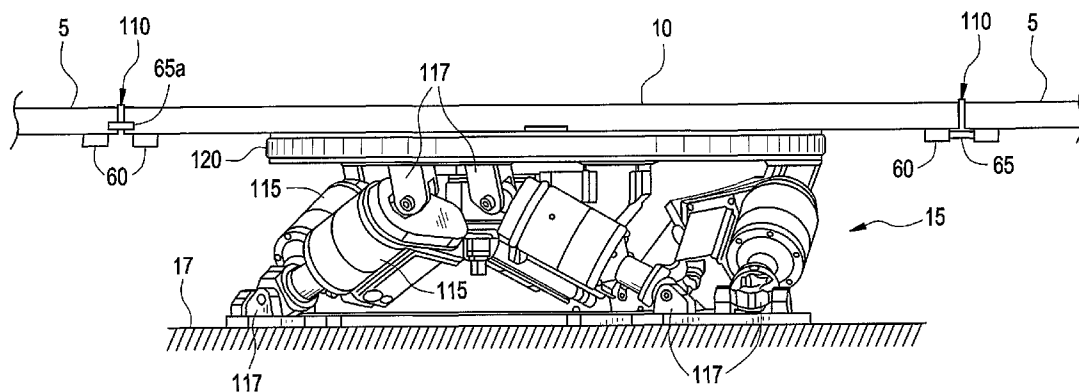
Published:

- with international search report
- before the expiration of the time limit for amending the claims and to be republished in the event of receipt of amendments

(88) Date of publication of the international search report:
14 June 2007

For two-letter codes and other abbreviations, refer to the "Guidance Notes on Codes and Abbreviations" appearing at the beginning of each regular issue of the PCT Gazette.

(54) Title: AMUSEMENT RIDE TRACK WITH MOTION BASE



(57) Abstract: An amusement ride has a track (5) defining a ride vehicle path (100) with a section of the track (10) that can be decoupled from the main track and is subsequently movable on or about up to three axes with between one and six independent degrees of freedom.

WO 2007/041483 A3

INTERNATIONAL SEARCH REPORT

International application No
PCT/US2006/038413

A. CLASSIFICATION OF SUBJECT MATTER
INV. A63G21/02 A63G21/08 A63G31/16

According to International Patent Classification (IPC) or to both national classification and IPC

B. FIELDS SEARCHED

Minimum documentation searched (classification system followed by classification symbols)
A63G

Documentation searched other than minimum documentation to the extent that such documents are included in the fields searched

Electronic data base consulted during the international search (name of data base and, where practical, search terms used)

EPO-Internal

C. DOCUMENTS CONSIDERED TO BE RELEVANT

Category*	Citation of document, with indication, where appropriate, of the relevant passages	Relevant to claim No.
A	US 6 095 926 A (HETTEMA PHILIP D [US] ET AL) 1 August 2000 (2000-08-01) the whole document	1-17
A	DE 200 00 556 U1 (OETZEL PETER [DE]) 11 May 2000 (2000-05-11) abstract; figures 1-10	1-17
A	DE 100 49 681 A1 (OSSENDOTH UDO [DE]) 25 April 2002 (2002-04-25) the whole document	1-17
A	US 6 113 500 A (FRANCIS MITCHELL J [US] ET AL) 5 September 2000 (2000-09-05) figures 1,2,4,6-9	1-17

Further documents are listed in the continuation of Box C.

See patent family annex.

* Special categories of cited documents :

- *A* document defining the general state of the art which is not considered to be of particular relevance
- *E* earlier document but published on or after the international filing date
- *L* document which may throw doubts on priority claim(s) or which is cited to establish the publication date of another citation or other special reason (as specified)
- *O* document referring to an oral disclosure, use, exhibition or other means
- *P* document published prior to the international filing date but later than the priority date claimed

- *T* later document published after the international filing date or priority date and not in conflict with the application but cited to understand the principle or theory underlying the invention
- *X* document of particular relevance; the claimed invention cannot be considered novel or cannot be considered to involve an inventive step when the document is taken alone
- *Y* document of particular relevance; the claimed invention cannot be considered to involve an inventive step when the document is combined with one or more other such documents, such combination being obvious to a person skilled in the art.
- *&* document member of the same patent family

Date of the actual completion of the international search

17 April 2007

Date of mailing of the international search report

26/04/2007

Name and mailing address of the ISA/
European Patent Office, P.B. 5818 Patentlaan 2
NL - 2280 HV Rijswijk
Tel. (+31-70) 340-2040, Tx. 31 651 epo nl,
Fax: (+31-70) 340-3016

Authorized officer

Brumme, Ion

INTERNATIONAL SEARCH REPORT

Information on patent family members

International application No

PCT/US2006/038413

Patent document cited in search report	Publication date	Patent family member(s)	Publication date
US 6095926	A	01-08-2000	AT 314126 T 15-01-2006
			AU 3762299 A 23-11-1999
			DE 69929187 T2 24-08-2006
			EP 1079906 A1 07-03-2001
			ES 2257046 T3 16-07-2006
			JP 2002513663 T 14-05-2002
			WO 9956846 A1 11-11-1999
<hr style="border-top: 1px dashed black;"/>			
DE 20000556	U1	11-05-2000	NONE
<hr style="border-top: 1px dashed black;"/>			
DE 10049681	A1	25-04-2002	NONE
<hr style="border-top: 1px dashed black;"/>			
US 6113500	A	05-09-2000	NONE
<hr style="border-top: 1px dashed black;"/>			