



US00D712396S

(12) **United States Design Patent**
Johnson et al.

(10) **Patent No.:** **US D712,396 S**

(45) **Date of Patent:** **** Sep. 2, 2014**

- (54) **KIOSK TERMINAL AND STAND**
- (71) Applicant: **Toshiba Global Commerce Solutions Holdings Corporation**, Tokyo (JP)
- (72) Inventors: **Brad Matthew Johnson**, Raleigh, NC (US); **Jeffrey John Smith**, Raleigh, NC (US); **John David Landers, Jr.**, Raleigh, NC (US); **William Lewis Talley**, Wake Forest, NC (US)
- (73) Assignee: **Toshiba Global Commerce Solutions Holdings Corporation**, Tokyo (JP)

(**) Term: **14 Years**

(21) Appl. No.: **29/454,961**

(22) Filed: **May 15, 2013**

(51) **LOC (10) Cl.** **14-02**

(52) **U.S. Cl.**
USPC **D14/307**

(58) **Field of Classification Search**
USPC D14/302-307, 900-902; D13/163;
D20/10; D21/332, 325, 369, 370;
D99/28; D6/397, 466; 194/206;
361/679.01, 679.02, 679.04, 679.21,
361/679.57, 725

See application file for complete search history.

(56) **References Cited**

U.S. PATENT DOCUMENTS

- D259,184 S * 5/1981 Francis et al. D10/15
- D261,424 S * 10/1981 Anson D24/229
- D370,355 S * 6/1996 Kenney D6/314

- D487,366 S * 3/2004 Peyker D6/467
- D518,480 S * 4/2006 Zheng et al. D14/307
- D524,312 S * 7/2006 Young D14/375
- D565,044 S * 3/2008 Witts et al. D14/307
- D572,942 S * 7/2008 Robbins et al. D6/468
- D574,377 S * 8/2008 Derocher et al. D14/307
- D671,595 S * 11/2012 O'Hara D19/52
- D675,608 S * 2/2013 Ono D14/307
- D675,609 S * 2/2013 Ono D14/307
- D675,610 S * 2/2013 Ono D14/307
- D687,429 S * 8/2013 Nelson et al. D14/307
- D693,607 S * 11/2013 Johnson et al. D6/672
- D702,676 S * 4/2014 Smith et al. D14/307
- 2013/0320177 A1* 12/2013 Chen et al. 248/371

* cited by examiner

Primary Examiner — Austin Murphy

(74) *Attorney, Agent, or Firm* — Ohlandt, Greenley, Ruggiero & Perle, L.L.P.

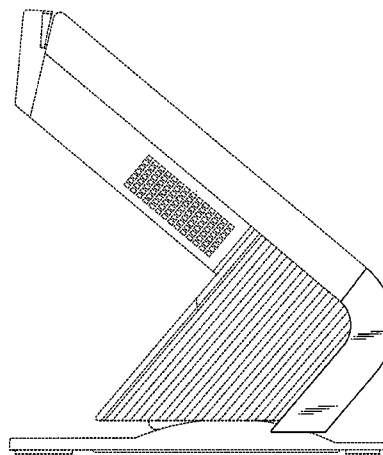
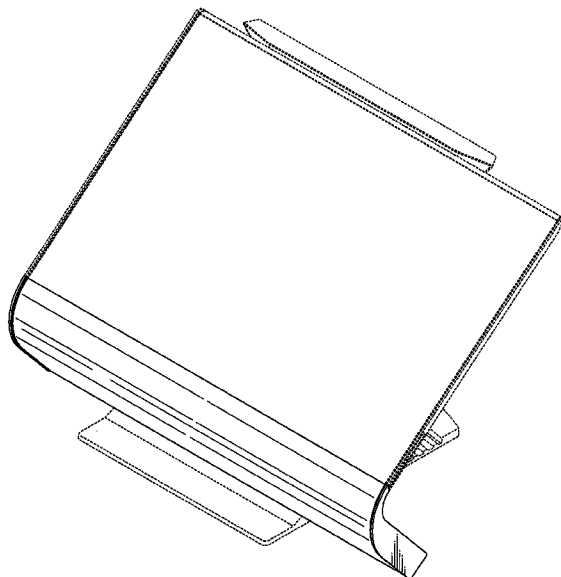
(57) **CLAIM**

The ornamental design for a kiosk terminal and stand, as shown and described.

DESCRIPTION

FIG. 1 is a front, top and right side perspective view of a kiosk terminal and stand, showing our new design;
 FIG. 2 is a rear, bottom and left side perspective view thereof;
 FIG. 3 is a front elevational view thereof;
 FIG. 4 is a rear elevational view thereof;
 FIG. 5 is a top plan view thereof;
 FIG. 6 is a bottom plan view thereof;
 FIG. 7 is a left side elevational view thereof; and,
 FIG. 8 is a right side elevational view thereof.
 The broken lines are for illustrative purposes only and form no part of the claimed design.

1 Claim, 7 Drawing Sheets



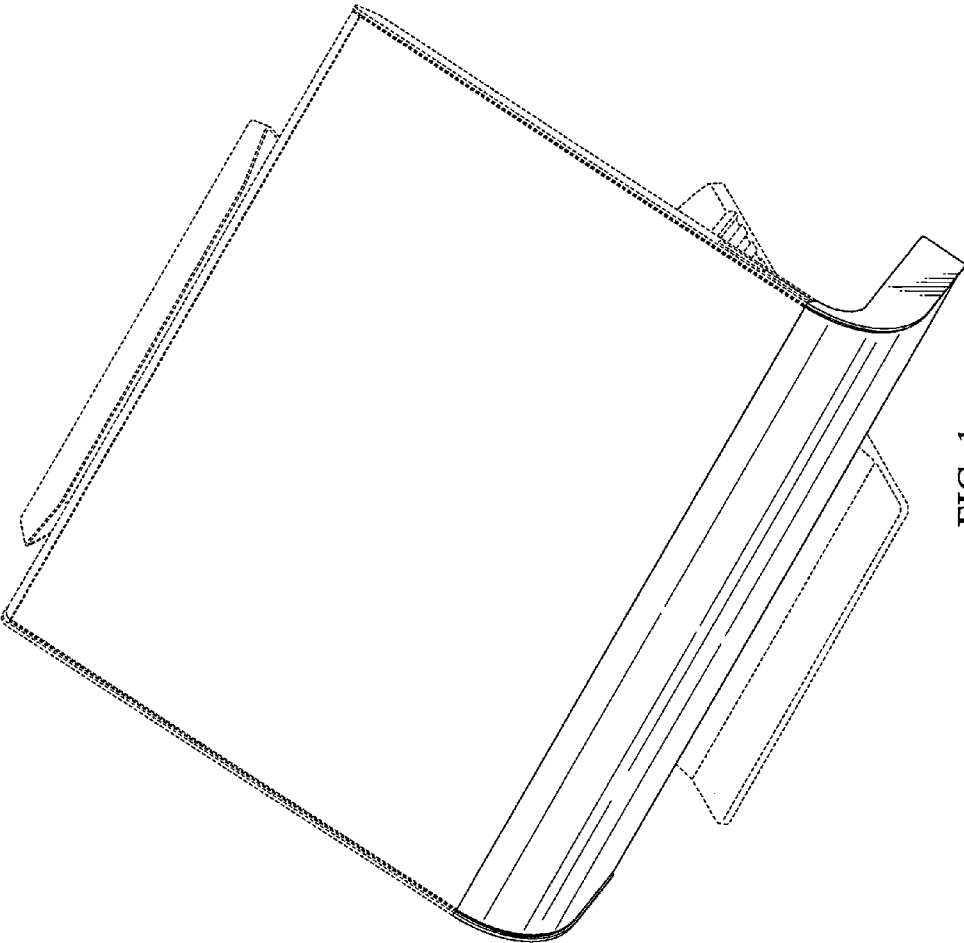


FIG. 1

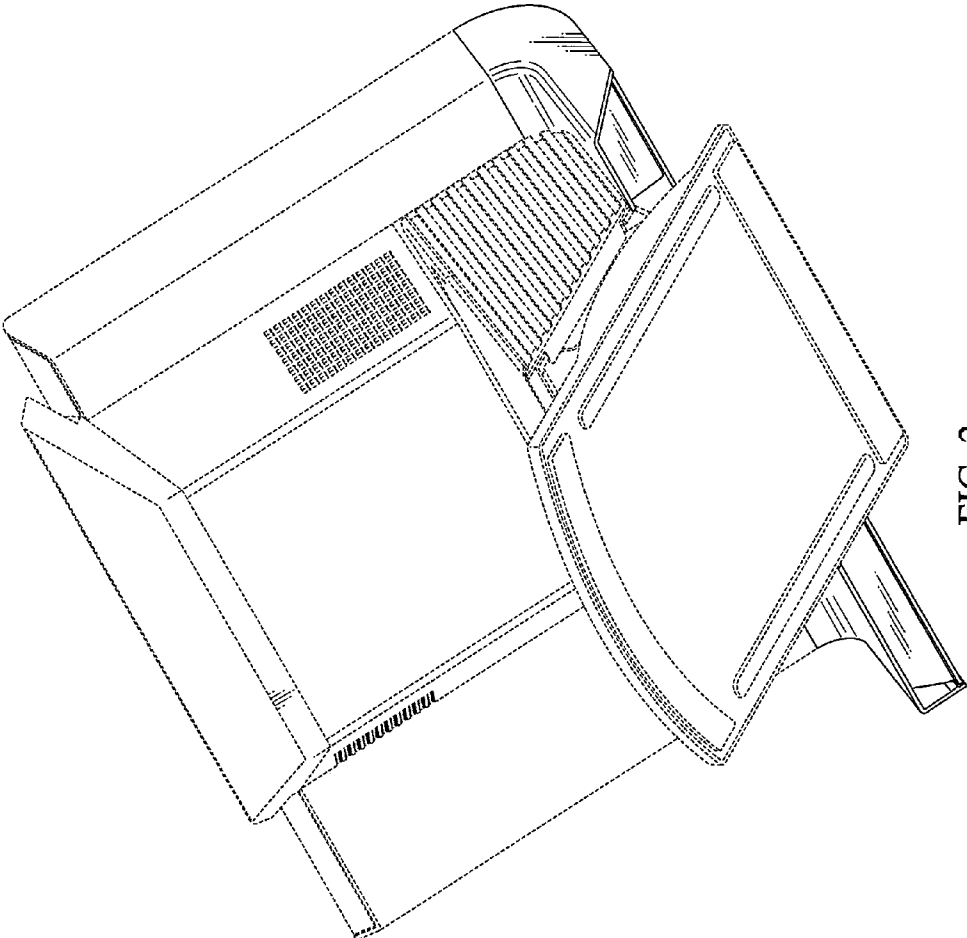


FIG. 2

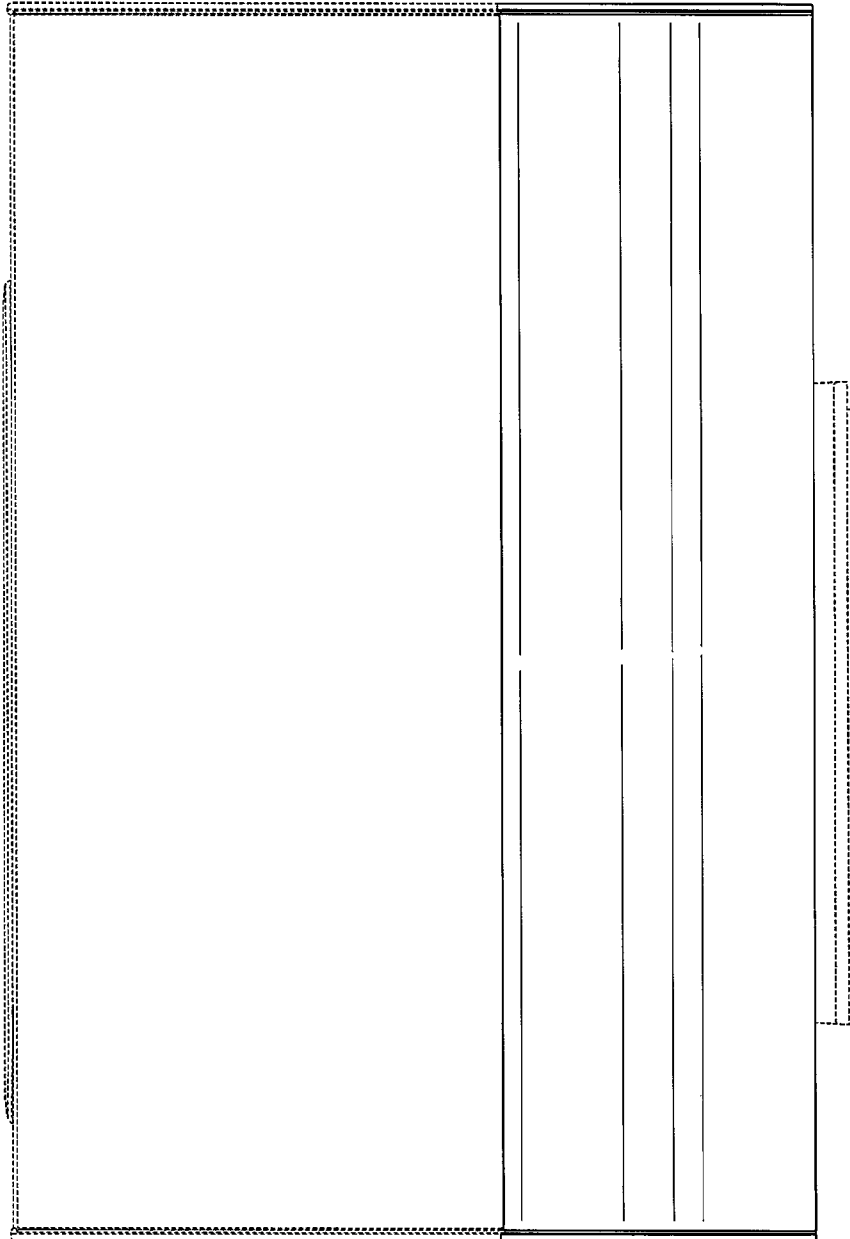


FIG. 3

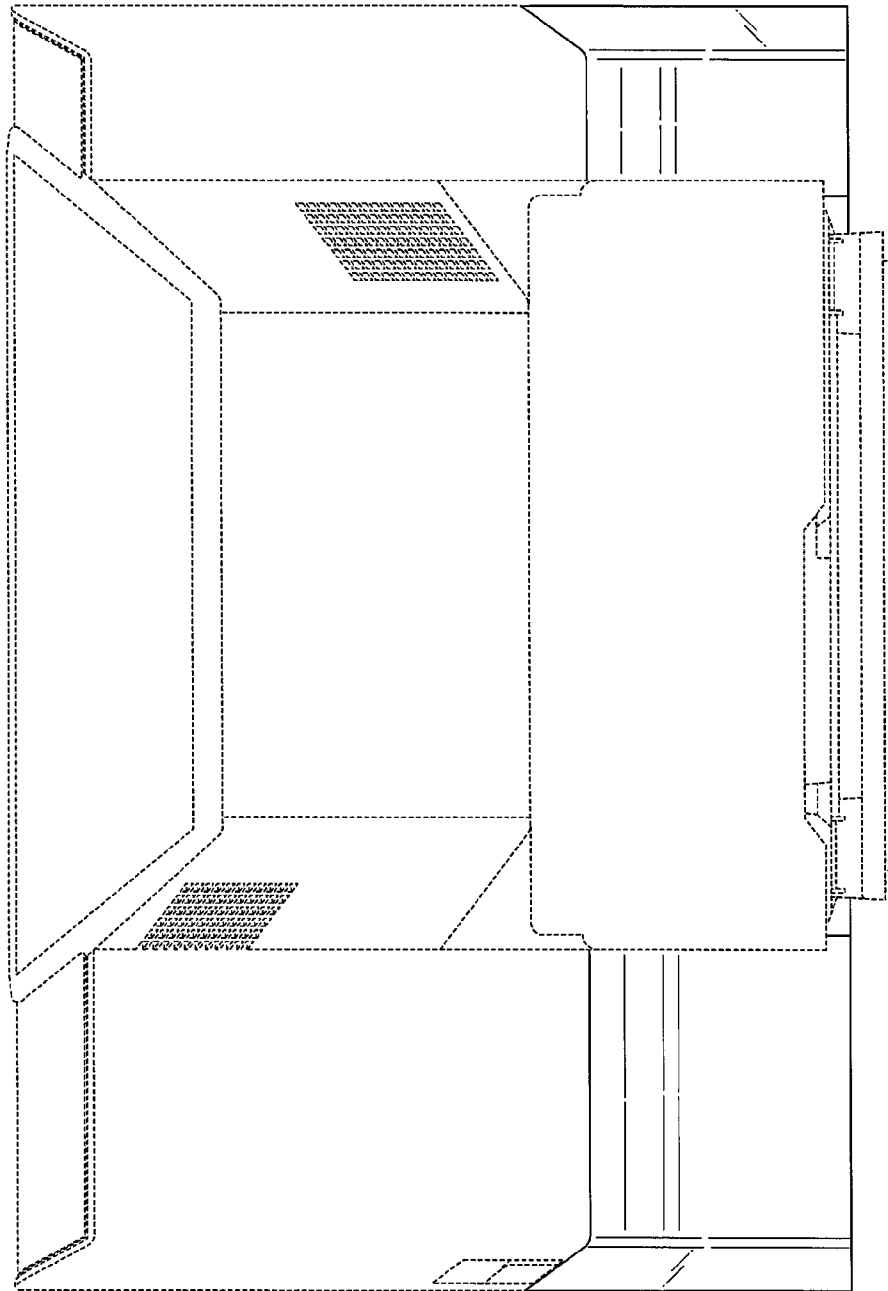


FIG. 4

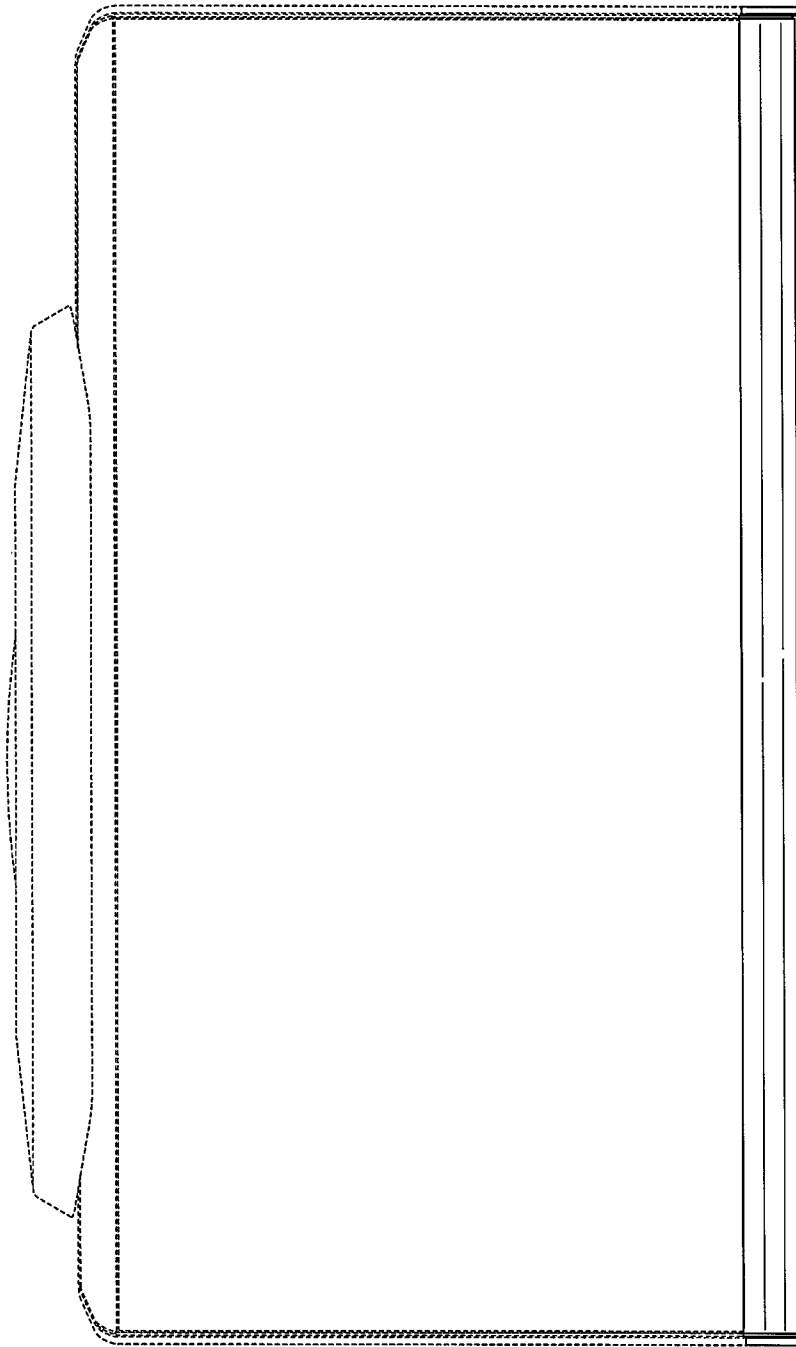


FIG. 5

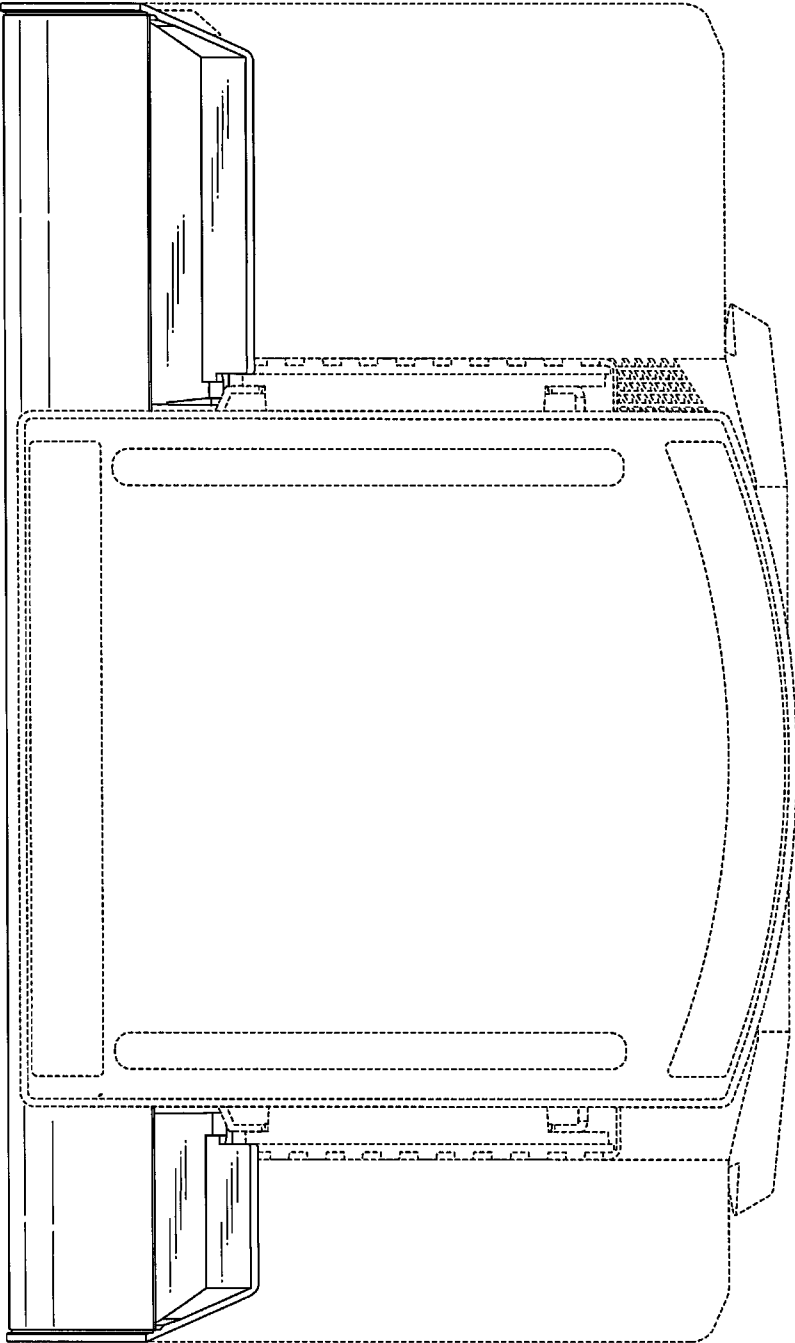


FIG. 6

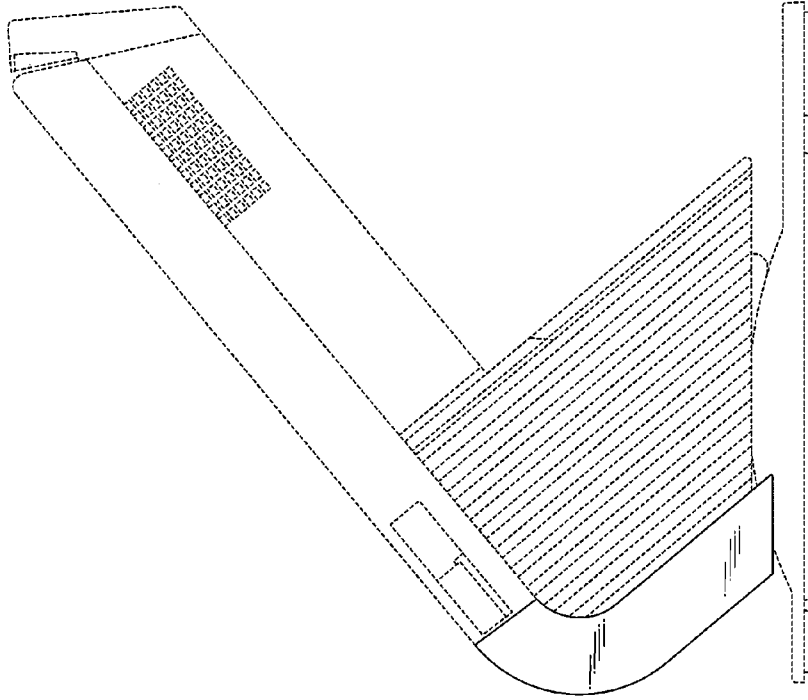


FIG. 8

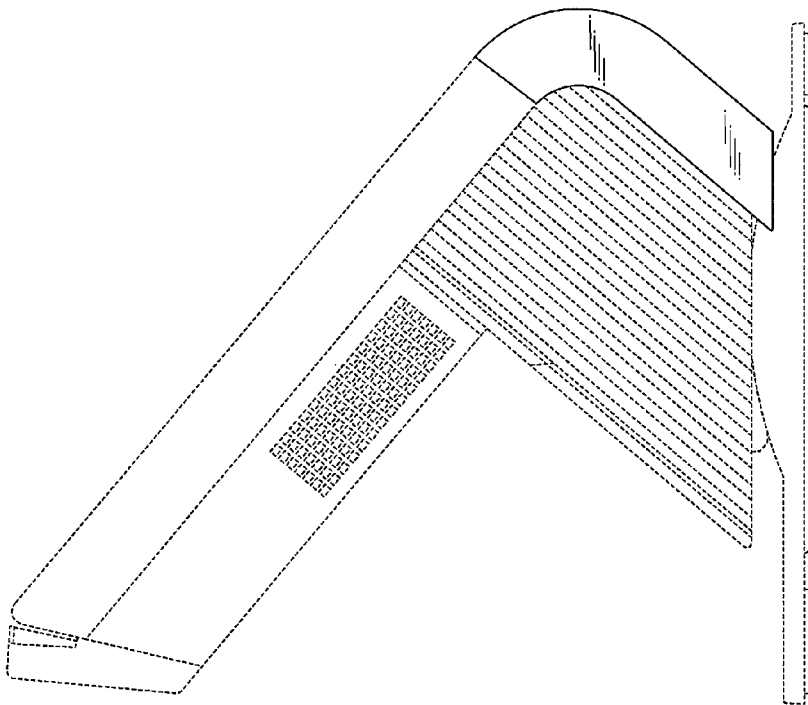


FIG. 7