



US00D802989S

(12) **United States Design Patent**  
**Roland et al.**

(10) **Patent No.:** **US D802,989 S**

(45) **Date of Patent:** **\*\* Nov. 21, 2017**

(54) **SLOW COOKER**

(71) Applicant: **Spectrum Brands, Inc.**, Middleton, WI (US)

(72) Inventors: **Gregory D. Roland**, Verona, WI (US); **Jacob Daniel Smith**, Middleton, WI (US); **Francisco Javier Barquin**, Madison, WI (US)

(73) Assignee: **Spectrum Brands, Inc.**, Middleton, WI (US)

(\*\*) Term: **15 Years**

(21) Appl. No.: **29/557,007**

(22) Filed: **Mar. 4, 2016**

(51) **LOC (10) Cl.** ..... **07-02**

(52) **U.S. Cl.**  
USPC ..... **D7/360**

(58) **Field of Classification Search**  
USPC ..... D7/323, 337, 339-341, 352, 354-358, D7/360, 362-367, 393, 402-403, D7/407-411, 601, 605; D3/276  
CPC ..... A21B 1/06; A21B 1/50; A21B 1/52; A47J 37/04; A47J 37/06; A47J 37/015; A47J 37/067; A47J 37/0611; A47J 37/0629; A47J 37/0676; A47J 37/108; F24C 7/06; F24C 7/083; F24C 15/02; F24C 15/66; H05B 3/20; H05B 3/40  
See application file for complete search history.

(56) **References Cited**

**U.S. PATENT DOCUMENTS**

D329,570 S *	9/1992	Gerlach	.....	D7/354
D420,246 S *	2/2000	Alonge	.....	D7/360
D425,360 S *	5/2000	Dobson	.....	D7/360
D433,869 S *	11/2000	Wong	.....	D7/360
D434,940 S *	12/2000	Hlava	.....	D7/354
D556,504 S *	12/2007	Averty	.....	D7/360
D568,676 S *	5/2008	Steiner	.....	D7/354

D635,818 S *	4/2011	Tse	.....	D7/354
D641,202 S *	7/2011	Bock	.....	D7/354
D682,009 S *	5/2013	Day	.....	D7/354
D701,416 S *	3/2014	Day	.....	D7/354
D730,107 S *	5/2015	MacInnis	.....	D7/354

**OTHER PUBLICATIONS**

7-Quart Digital Slow Cooker, posted at Blackanddeckerappliances.com, posted on © 2015, site visited Feb. 24, 2017, <<http://www.blackanddeckerappliances.com/products/cooking-appliances/slow-cookers/SCD1007-7-quart-digital-slow-cooker-stainless-steel.aspx>>.\*

Black+Decker SCD1007 7 Quart Programmable Slow Cooker with Digital Timer, Portable with Locking Lid, Stainless Steel, posted at Amazon.com, posted on Dec. 2, 2016, site visited Feb. 24, 2017, <<https://www.amazon.com/BLACK-DECKER-SCD1007-Programmable-Stainless/dp/B01M1A1TCV>>.\*

\* cited by examiner

*Primary Examiner* — Barbara Fox

*Assistant Examiner* — Messina L Smith

(74) *Attorney, Agent, or Firm* — Banner & Witcoff, Ltd.

(57) **CLAIM**

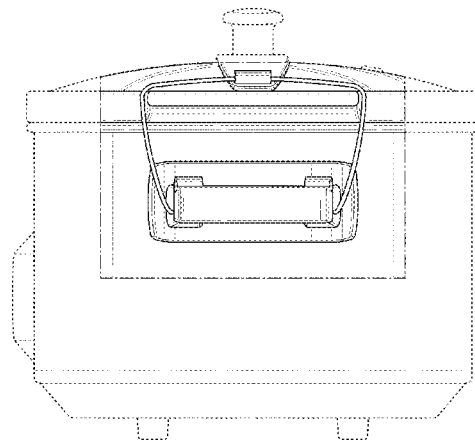
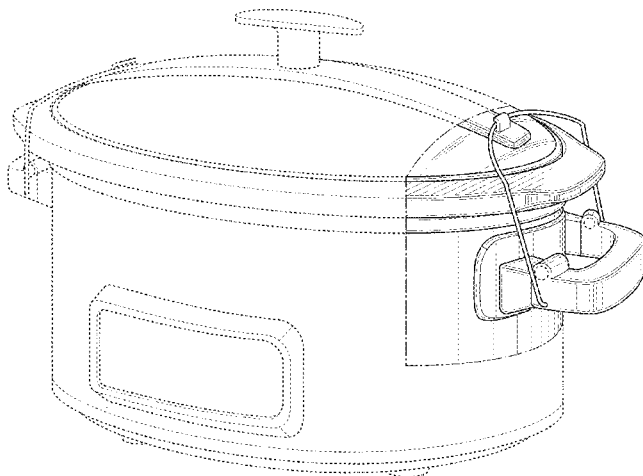
The ornamental design for a slow cooker, as shown and described.

**DESCRIPTION**

FIG. 1 is a front perspective view of a slow cooker showing our new design;  
FIG. 2 is a front view thereof;  
FIG. 3 is a rear view thereof;  
FIG. 4 is a right side view thereof;  
FIG. 5 is a top view thereof; and,  
FIG. 6 is a bottom view thereof.

The dash-dot broken lines shown in the drawings illustrate the bounds of the claim. The dashed broken lines shown in the drawings illustrate portions of the slow cooker. The broken lines form no part of the claimed design.

**1 Claim, 6 Drawing Sheets**



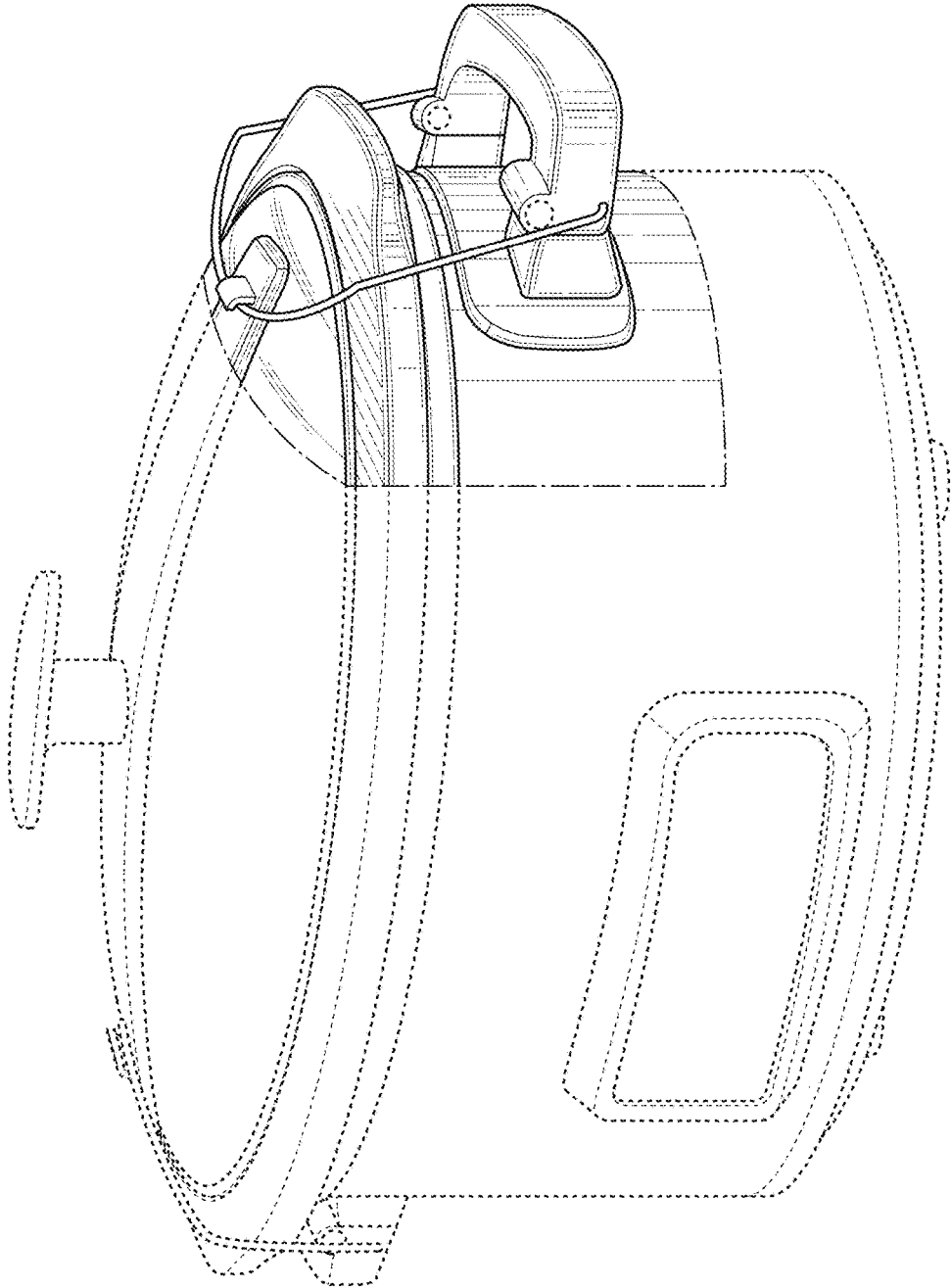


FIG. 1

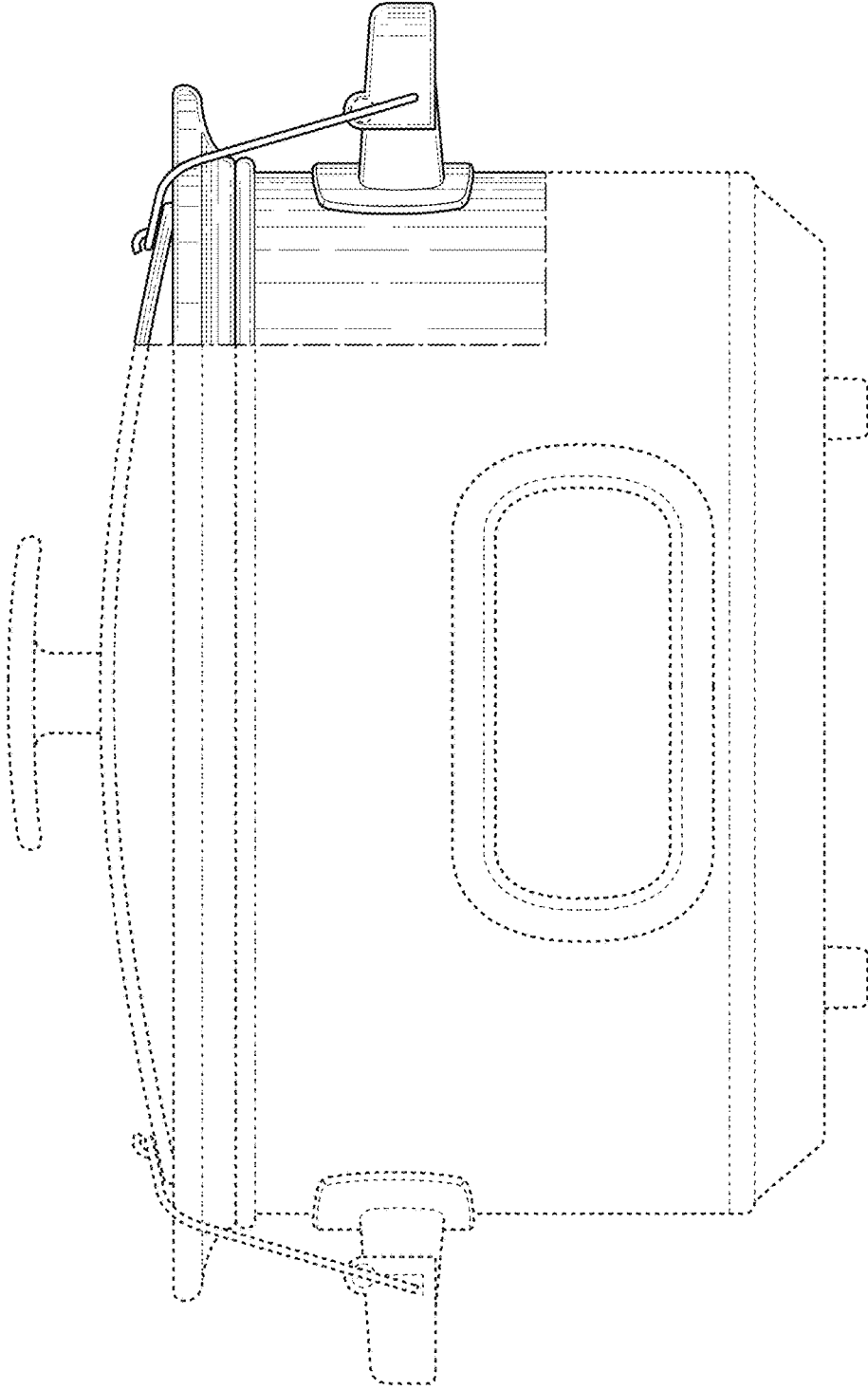


FIG. 2

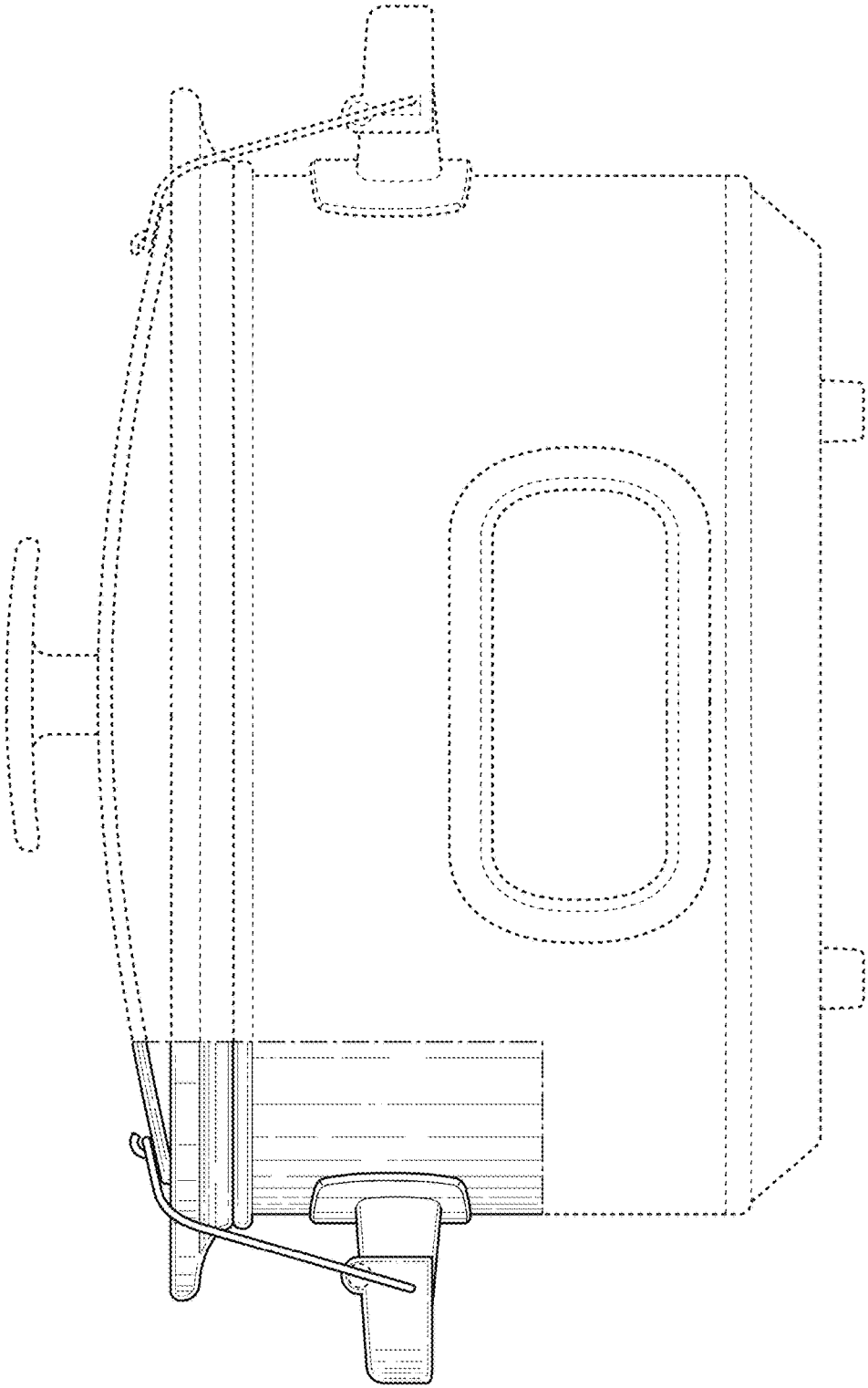


FIG. 3

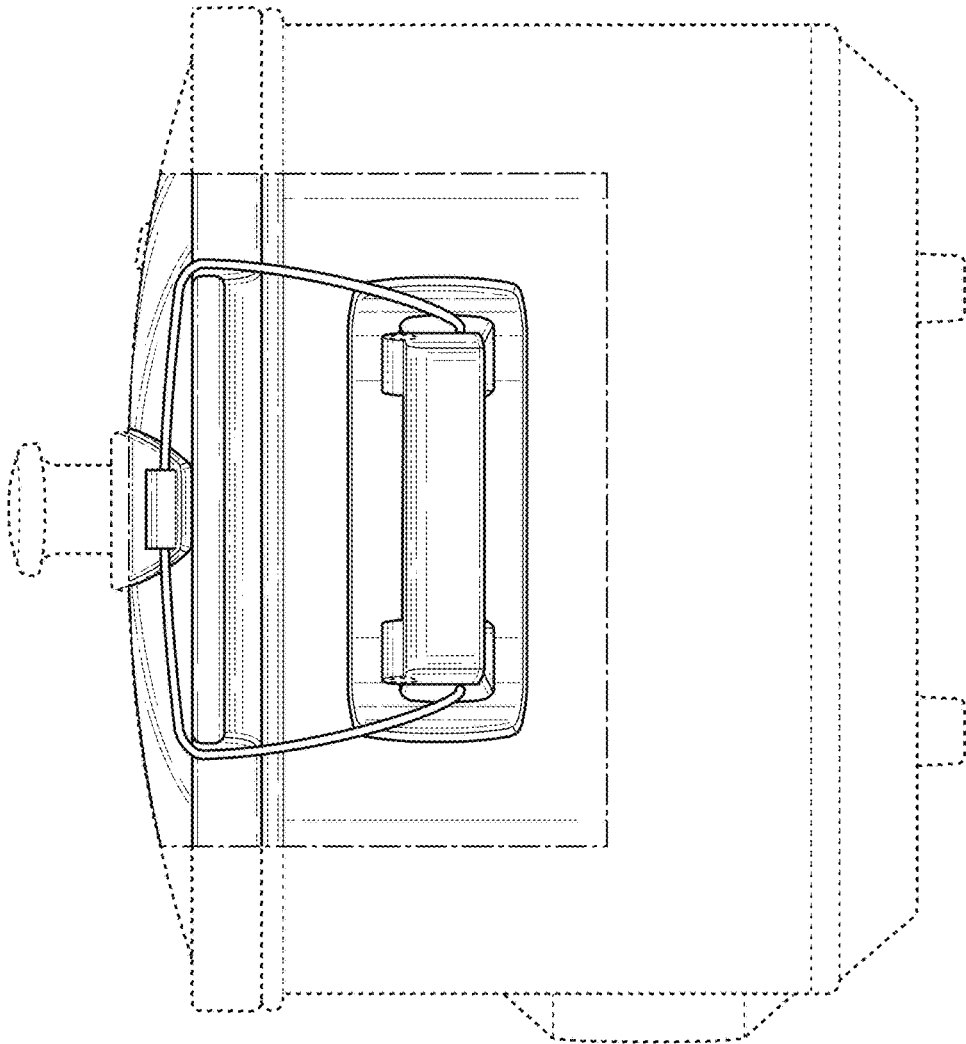


FIG. 4

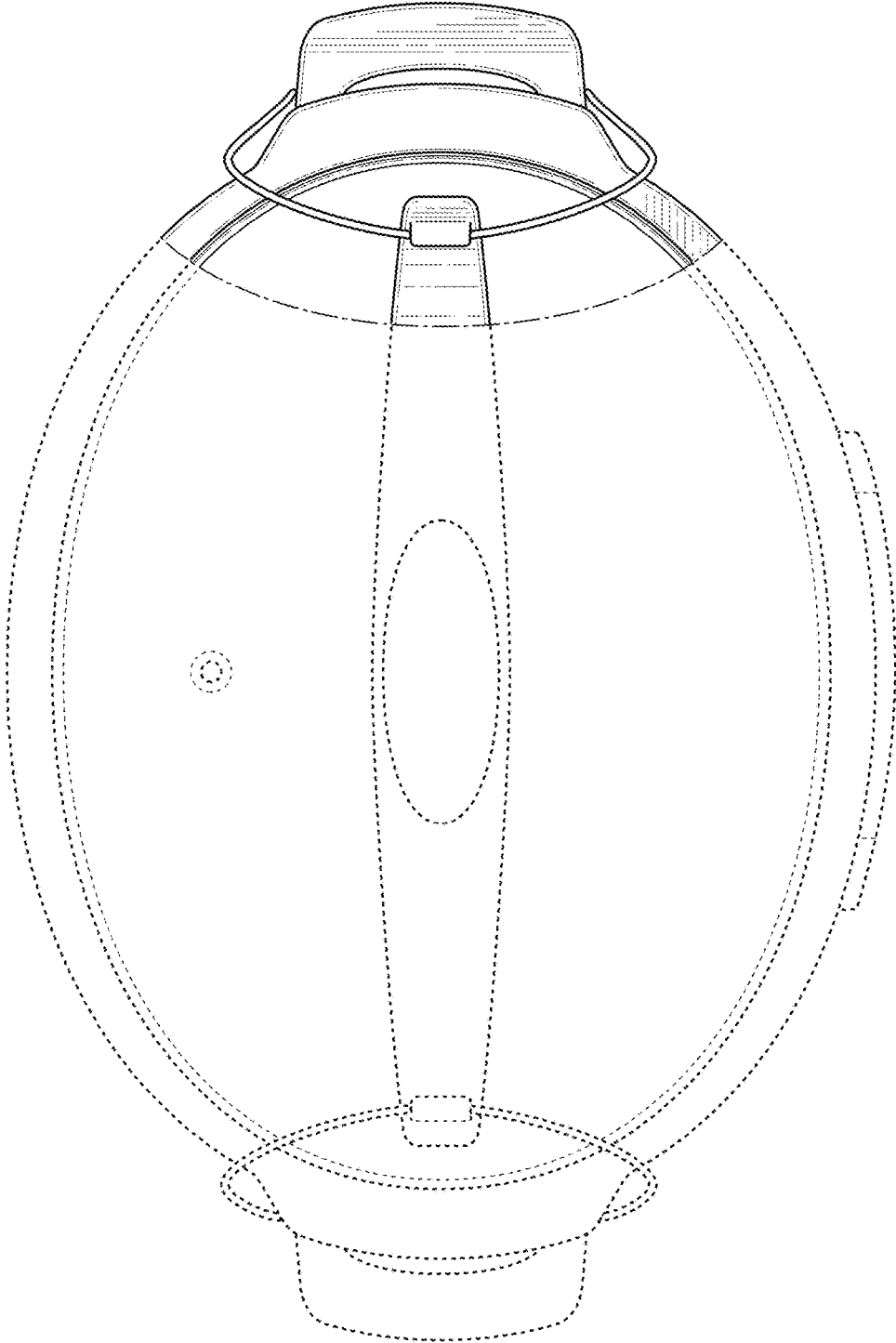


FIG. 5

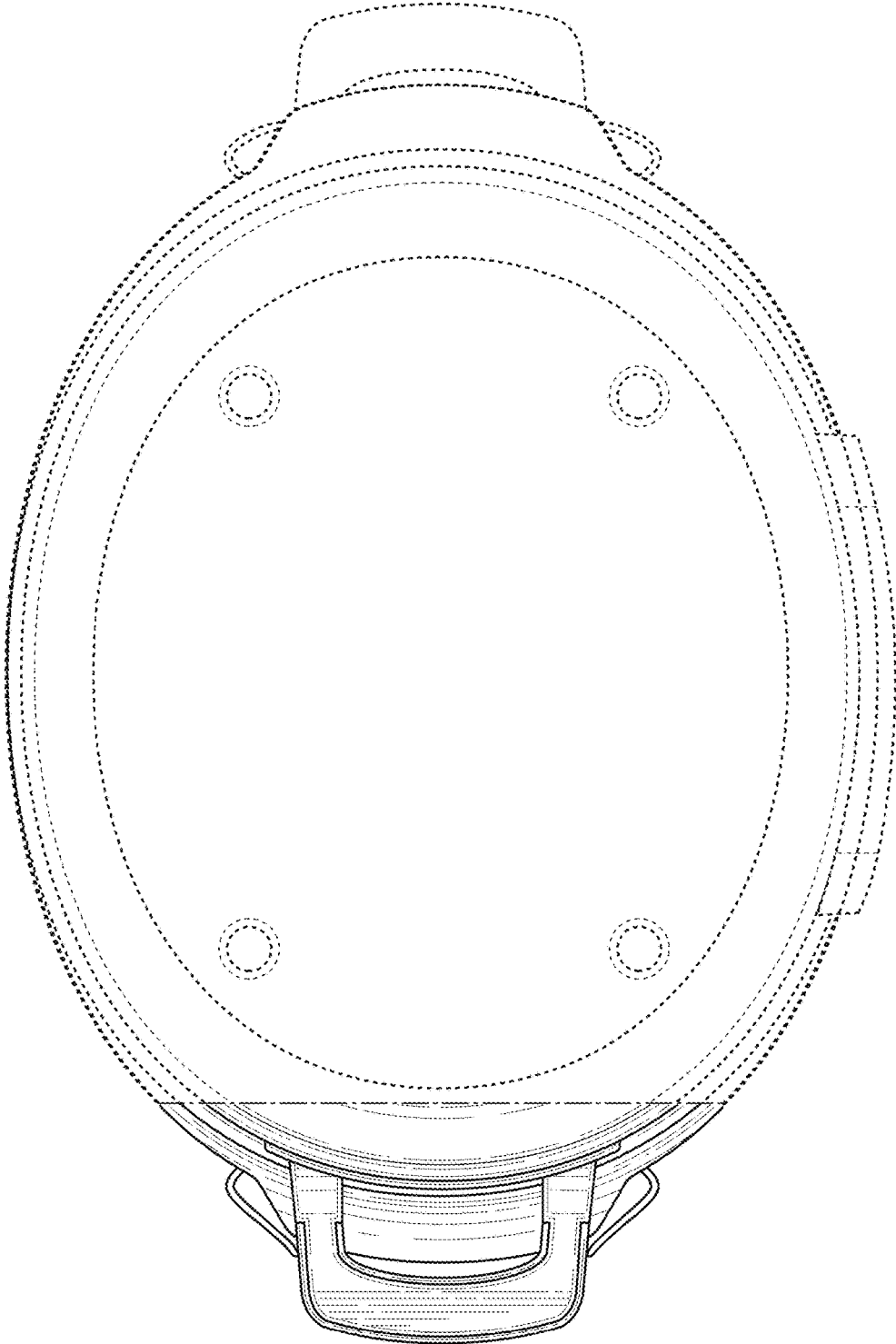


FIG. 6